



US00D963509S

(12) **United States Design Patent** (10) **Patent No.:** **US D963,509 S**
Aqel (45) **Date of Patent:** **** Sep. 13, 2022**

(54) **EARRING**

(71) Applicant: **Fadi Aqel**, Burbank, IL (US)

(72) Inventor: **Fadi Aqel**, Burbank, IL (US)

(**) Term: **15 Years**

(21) Appl. No.: **29/751,606**

(22) Filed: **Sep. 22, 2020**

(51) **LOC (13) Cl.** **11-01**

(52) **U.S. Cl.**
USPC **D11/43**

(58) **Field of Classification Search**
USPC D11/40-44, 79; 63/13
CPC A44C 7/00
See application file for complete search history.

(56) **References Cited**

U.S. PATENT DOCUMENTS

D58,410 S *	7/1921	Szimanski	D11/79
3,975,921 A *	8/1976	Pomaski	A44C 7/00
				63/13
D255,669 S *	7/1980	Trupiano	D11/75
D301,845 S *	6/1989	Yoshida	D11/75
D303,508 S *	9/1989	Yoshida	D11/75
D355,388 S *	2/1995	Barrow	D11/79
D405,716 S *	2/1999	Doughty	D11/124
D484,067 S *	12/2003	Wright	D11/131
D555,533 S *	11/2007	Gruosi-Scheufele	D11/43
D619,031 S *	7/2010	Arlanda	D11/75
D658,531 S *	5/2012	Nazarenko	D11/79
D685,667 S *	7/2013	Papadimitriou	D11/43
D726,575 S *	4/2015	Pennington	D11/91
D832,737 S *	11/2018	Pierce	D11/121
D846,424 S *	4/2019	Sallard	D11/79

FOREIGN PATENT DOCUMENTS

GB	6107420	*	11/2020
GB	6144402	*	6/2021
WO	D213173-001	*	9/2021

OTHER PUBLICATIONS

Diamond Shape Chandelier Earrings poshmark pp. 1-3 2022 <https://poshmark.com/listing/Gorgeous-Diamond-Shape-Chandelier-Earrings-61cb98bc84bb0bd5bf1cb553?> (Year: 2022).*

(Continued)

Primary Examiner — Kevin K Rudzinski
Assistant Examiner — Evans David Delesline
(74) *Attorney, Agent, or Firm* — Depeng Bi; The Law Offices Of Konrad Sherinian, LLC

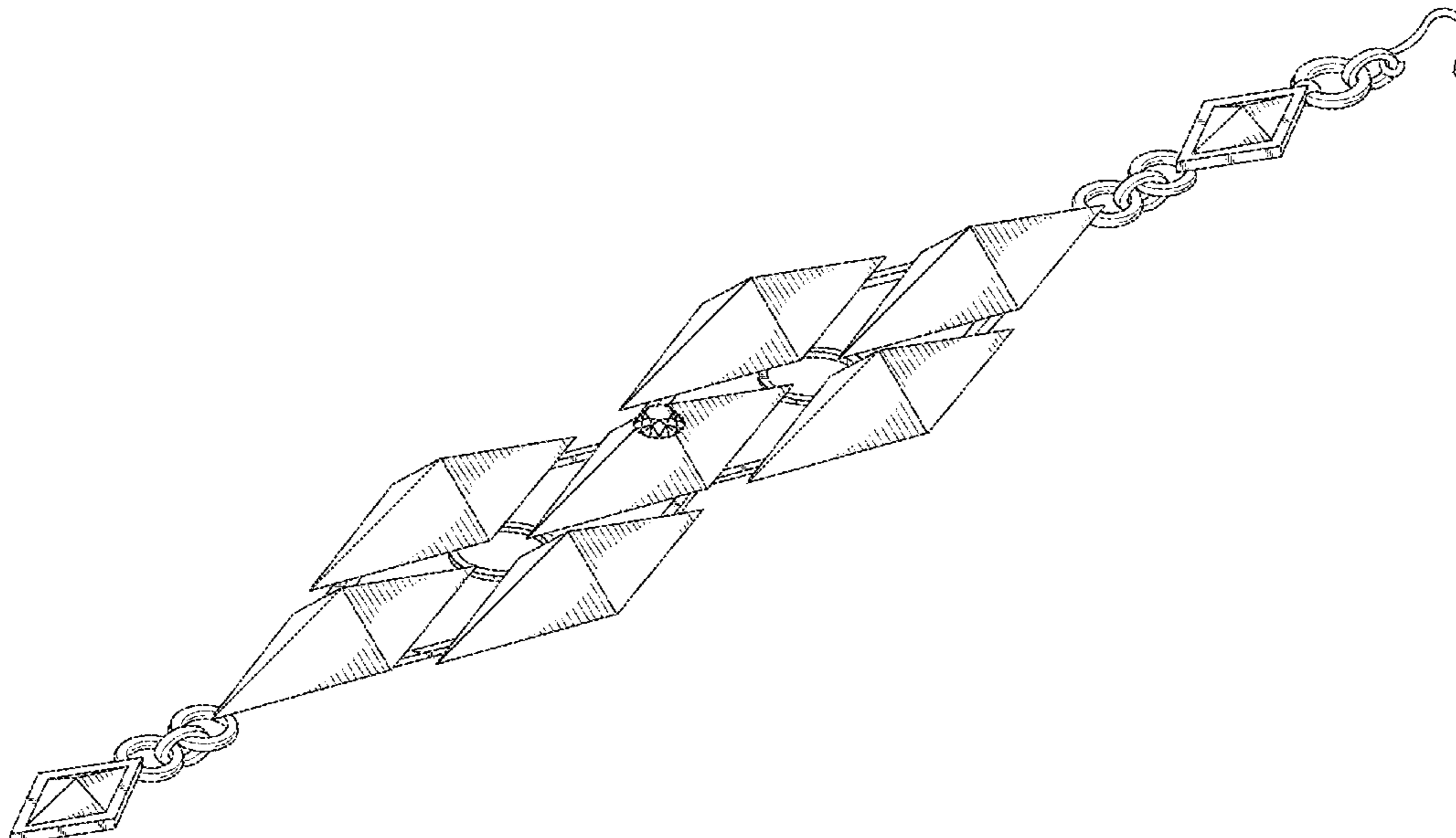
(57) **CLAIM**

The ornamental design for an earring, as shown and described.

DESCRIPTION

FIG. 1 is a front perspective view of an earring;
FIG. 2 is a front side view thereof;
FIG. 3 is a rear side view thereof;
FIG. 4 is a left side view thereof;
FIG. 5 is a right side view thereof;
FIG. 6 is a top view thereof;
FIG. 7 is a bottom view thereof;
FIG. 8 is a front perspective view of another embodiment of an earring;
FIG. 9 is a front side view thereof;
FIG. 10 is a rear side view thereof;
FIG. 11 is a left side view thereof;
FIG. 12 is a right side view thereof;
FIG. 13 is a top view thereof; and,
FIG. 14 is a bottom view thereof.
The broken lines in the drawings depict portions of the earring that form no part of the corresponding embodiment of the claimed design.

1 Claim, 6 Drawing Sheets



(56)

References Cited

OTHER PUBLICATIONS

1 7/8" Polished Kite Shape Chandelier Dangle Earrings Real 14K Yellow Gold 2.0gr ebay pp. 1-5 2022 <https://www.ebay.com/itm/333800782707?chn=ps&mkevt=1&mkcid=28> (Year: 2022).*

Diamond shape dropping earrings poshmark pp. 1-3 2022 <https://poshmark.com/listing/Diamond-shape-dropping-earrings-5f48894f2a1eff35248f2f42?> (Year: 2022).*

D Exceed Women's Chandelier Drop Earrings Gift Wrapped Fashion Gold Cutout Tiered Dangle Drop Earrings amazon pp. 1-17 2017 https://www.amazon.com/EXCEED-Chandelier-Earrings-Wrapped-Fashion/dp/B01C02MQ3O/ref=asc_df_B01C02MQ3O/? (Year: 2017).*

* cited by examiner

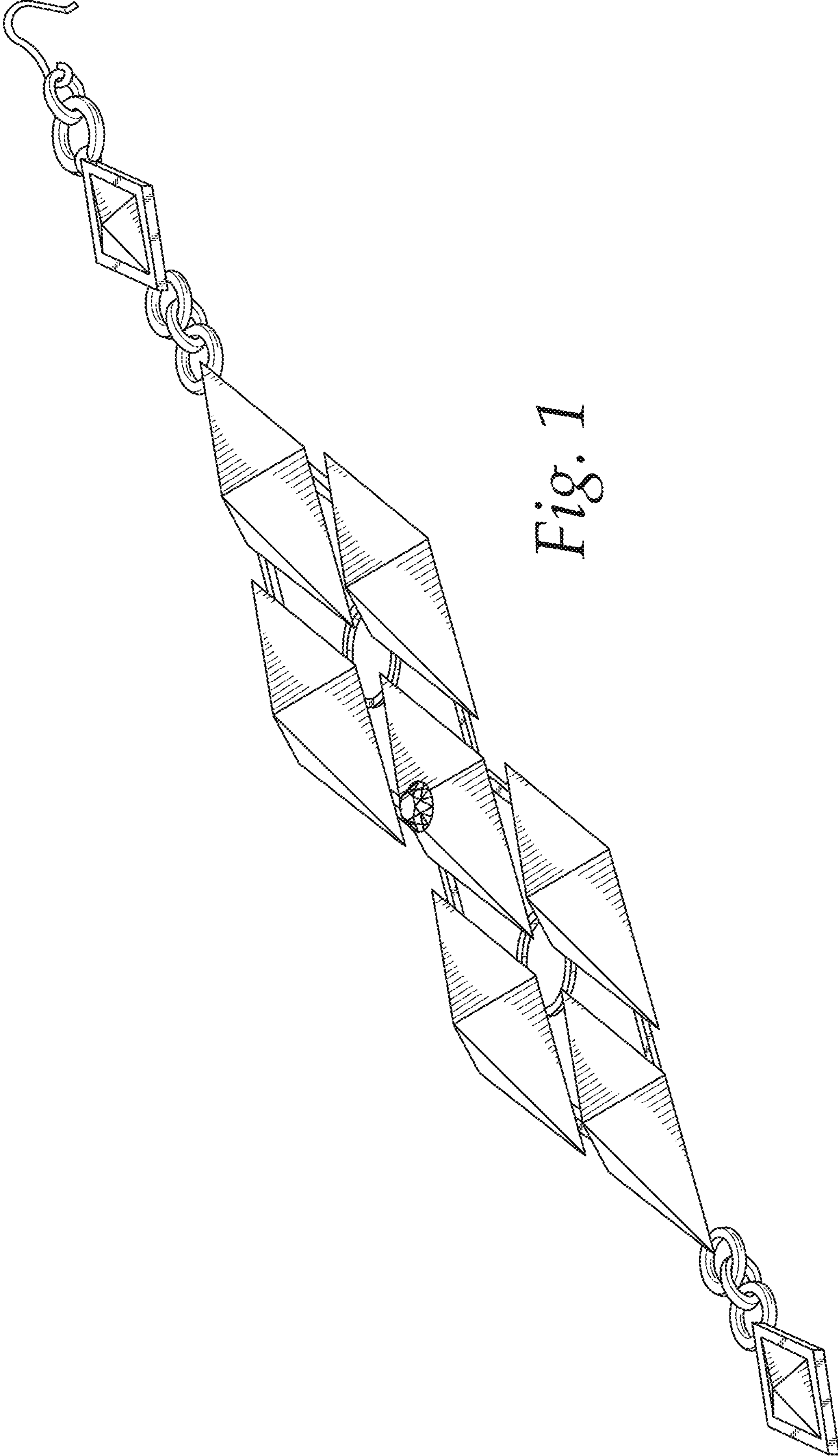


Fig. 1

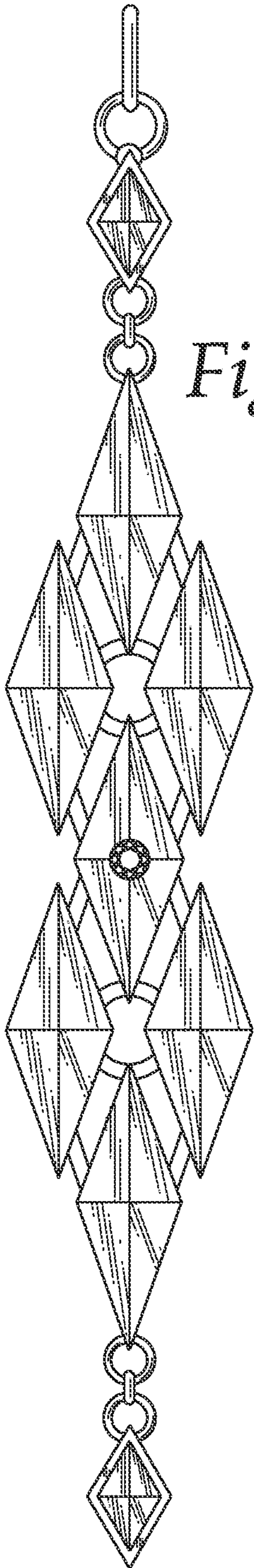


Fig. 2

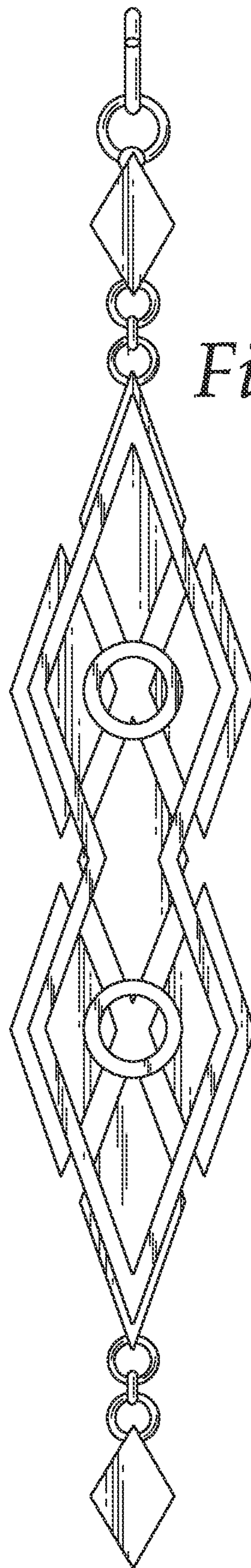


Fig. 3



Fig. 4

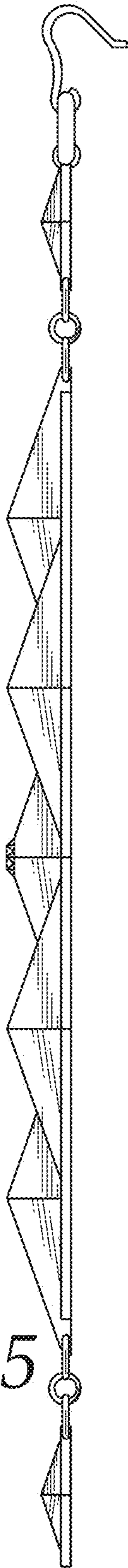


Fig. 5

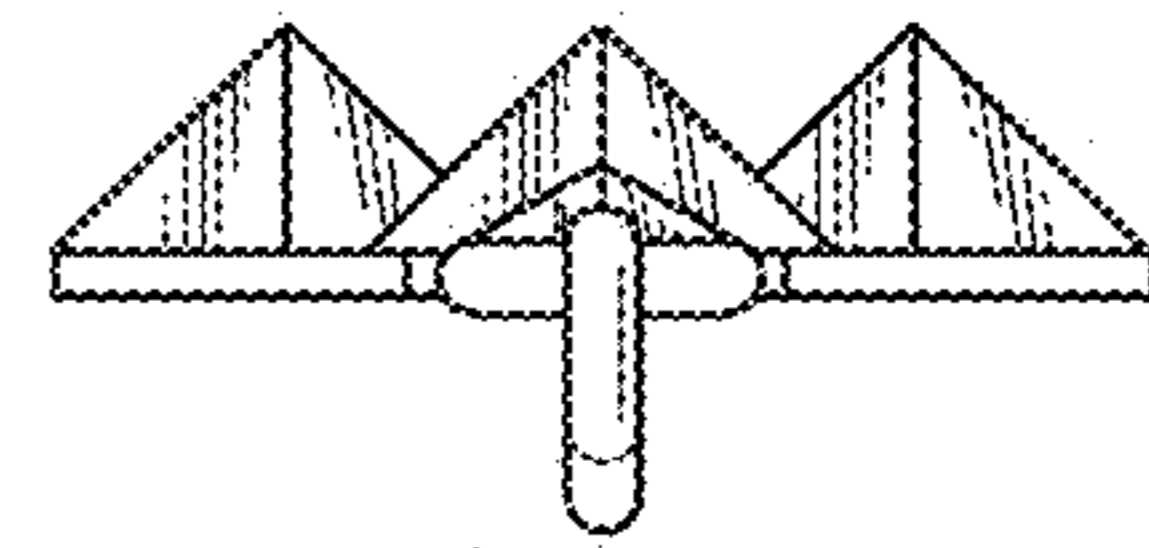


Fig. 6

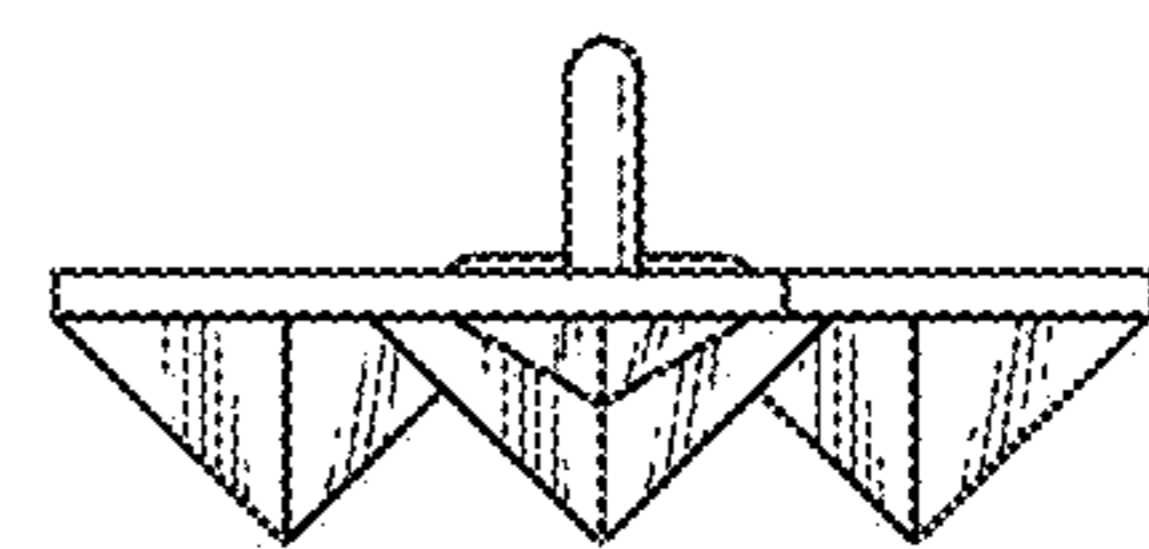


Fig. 7

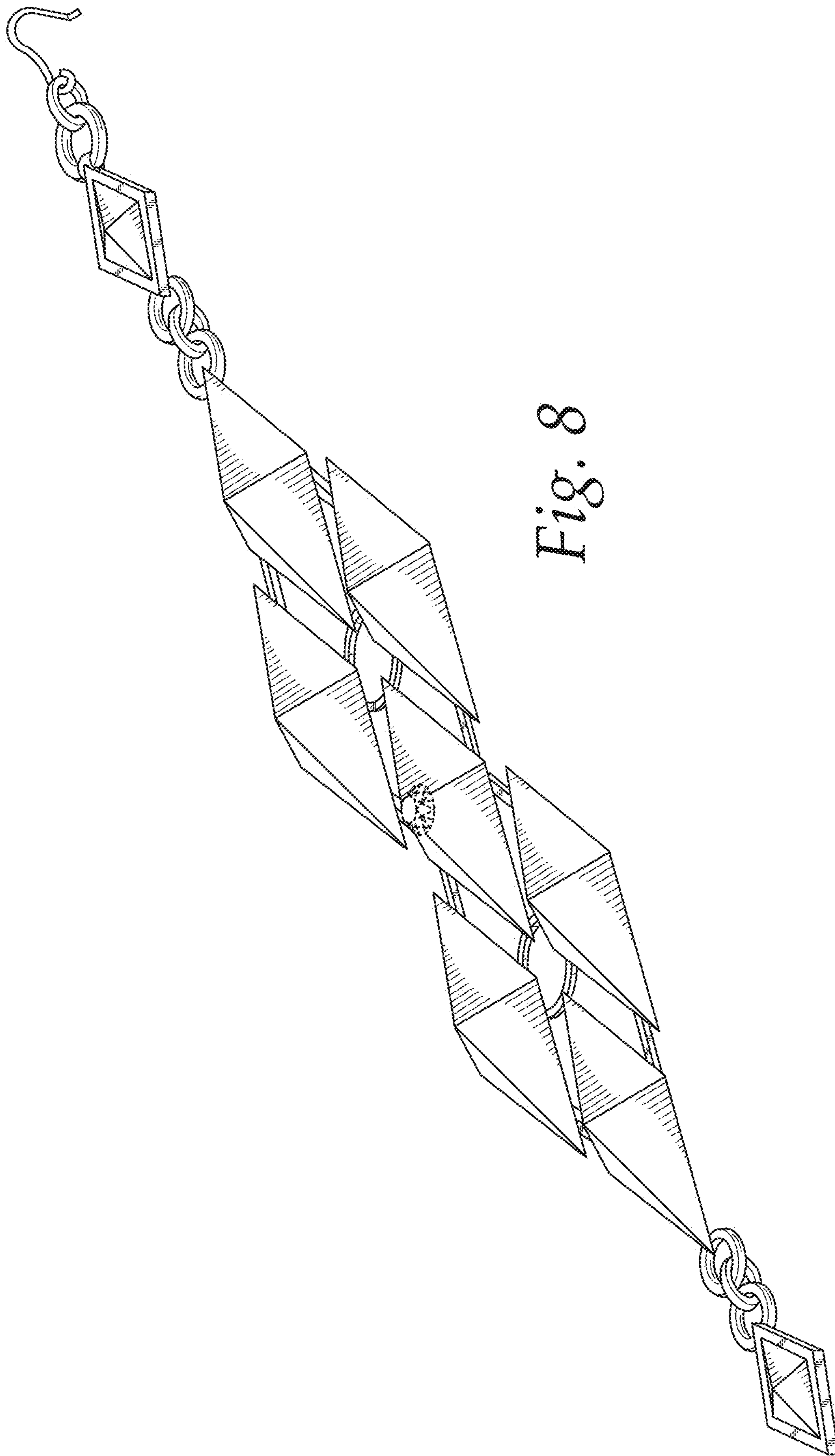


Fig. 8

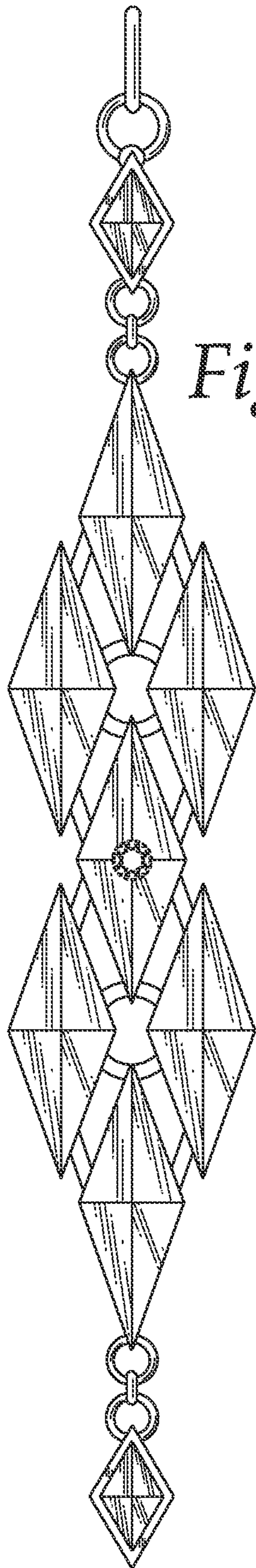


Fig. 9

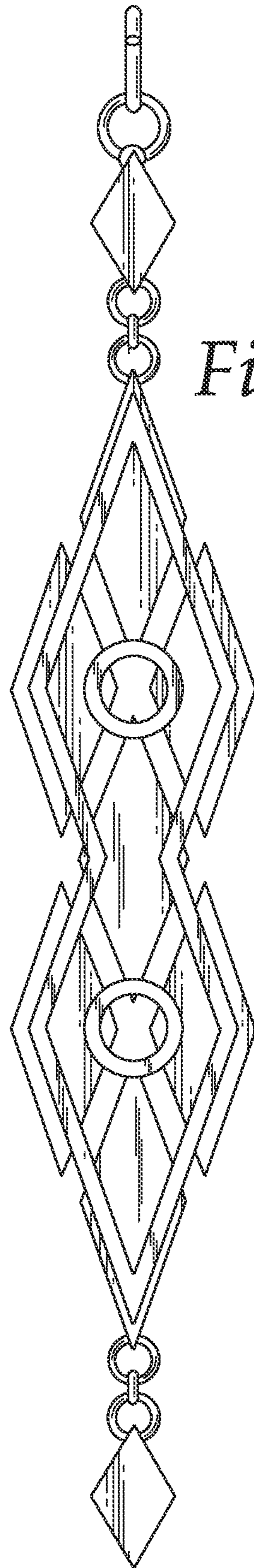


Fig. 10

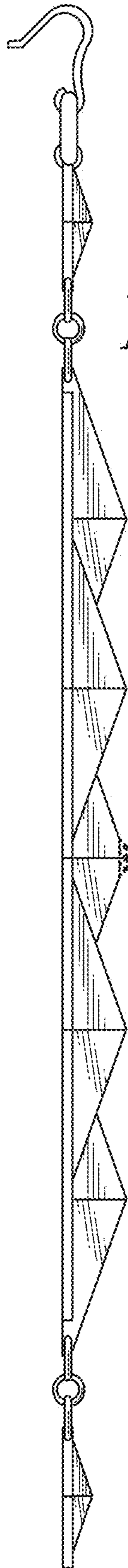


Fig. 11

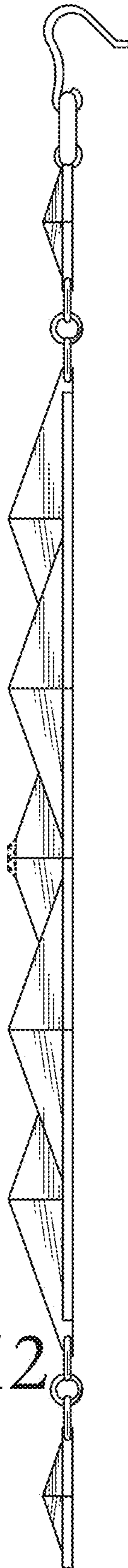


Fig. 12

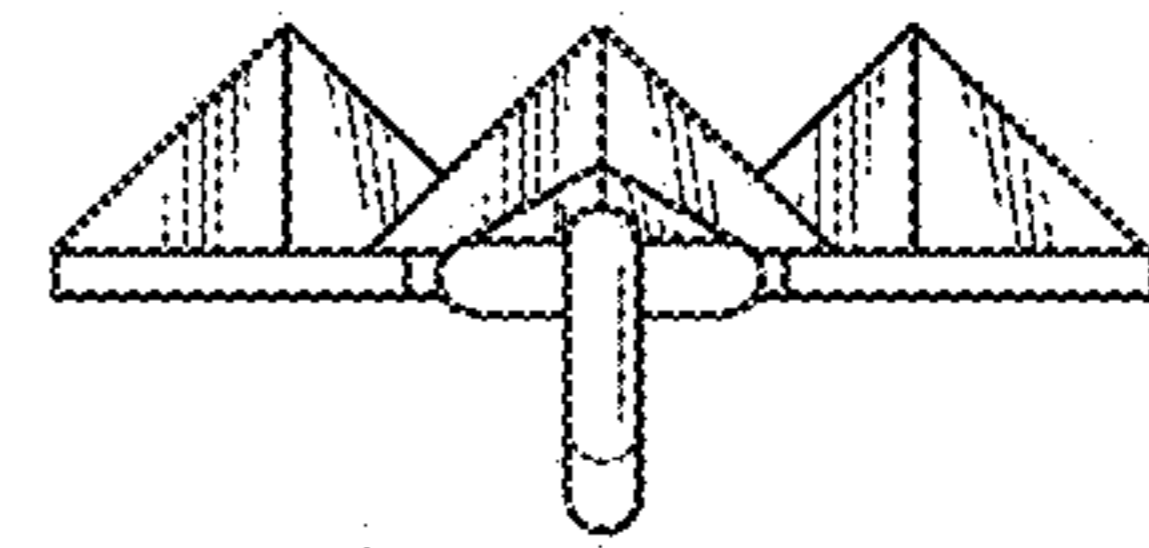


Fig. 13

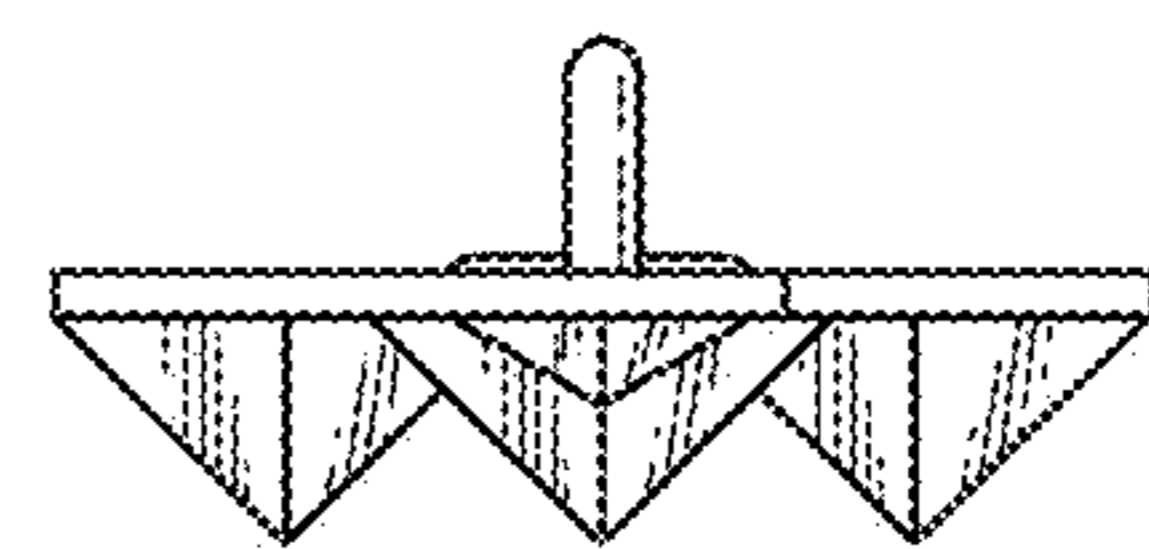


Fig. 14