



US00D963505S

(12) **United States Design Patent** (10) **Patent No.:** **US D963,505 S**
Ke (45) **Date of Patent:** **** Sep. 13, 2022**

(54) **WATCHBAND**
(71) Applicant: **Shenzhen Xianyang Innovation Technology Co., Ltd., Shenzhen (CN)**
(72) Inventor: **Huiyi Ke, Shenzhen (CN)**
(73) Assignee: **Shenzhen Xianyang Innovation Technology Co., Ltd., Shenzhen (CN)**
(**) Term: **15 Years**
(21) Appl. No.: **29/791,276**
(22) Filed: **Jan. 6, 2022**

D864,012 S 10/2019 Chen
D879,643 S 3/2020 Deng et al.
D879,645 S 3/2020 Lin
D881,739 S 4/2020 Deng et al.
D944,514 S * 3/2022 Anthony D11/3
D955,257 S * 6/2022 Huang D11/3
2020/0031029 A1* 1/2020 Francois A44C 5/0007

* cited by examiner

Primary Examiner — Llorelys Martinez
(74) *Attorney, Agent, or Firm* — Jeenam Park

(57) **CLAIM**

The ornamental design for a watchband, as shown and described.

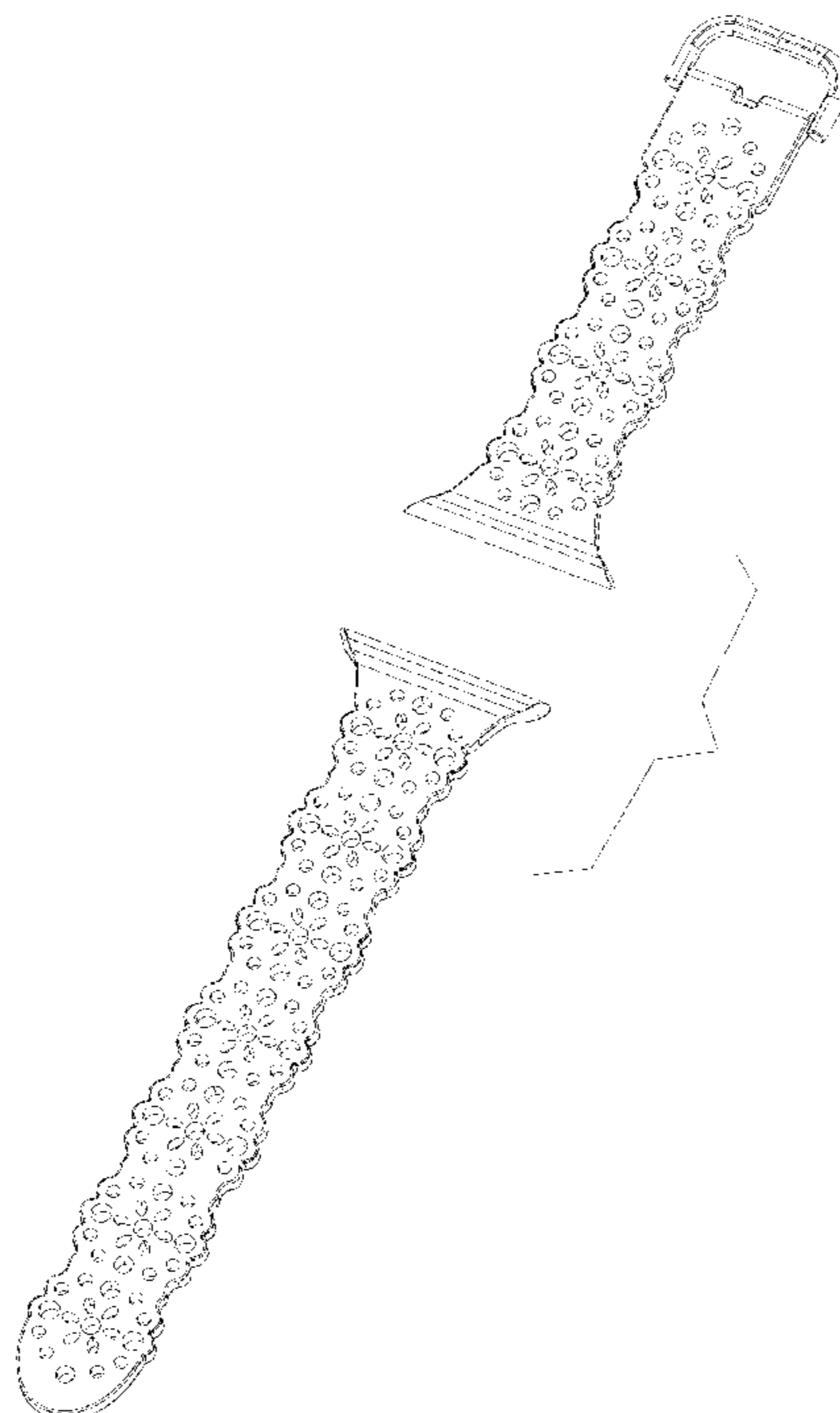
DESCRIPTION

FIG. 1 is a perspective view of a first embodiment of a watchband, showing my new design;
FIG. 2 is another perspective view thereof;
FIG. 3 is a front view thereof;
FIG. 4 is a rear view thereof;
FIG. 5 is a left side view thereof;
FIG. 6 is a right side view thereof;
FIG. 7 is a top plan view thereof;
FIG. 8 is a bottom plan view thereof;
FIG. 9 is a perspective view of a second embodiment of a watchband, showing my new design;
FIG. 10 is another perspective view thereof;
FIG. 11 is a front view thereof;
FIG. 12 is a rear view thereof;
FIG. 13 is a left side view thereof;
FIG. 14 is a right side view thereof;
FIG. 15 is a top plan view thereof; and,
FIG. 16 is a bottom plan view thereof.

(30) **Foreign Application Priority Data**
Dec. 9, 2021 (CN) 202130814810.1
(51) **LOC (13) Cl.** **11-01**
(52) **U.S. Cl.**
USPC **D11/3**
(58) **Field of Classification Search**
USPC D11/1-5; D10/32, 38; D14/344
CPC ... A44C 5/0007; A44C 5/0015; A44C 5/0053;
A44C 5/12; A44C 5/14; A44C 5/147;
A44C 5/16
See application file for complete search history.

(56) **References Cited**
U.S. PATENT DOCUMENTS
D72,496 S * 4/1927 Sabin D11/3
D126,086 S * 3/1941 Bayan D11/3
D136,558 S * 10/1943 Searer D11/3
D255,017 S * 5/1980 Hofman D11/3
D860,033 S * 9/2019 Quan D11/3

1 Claim, 16 Drawing Sheets



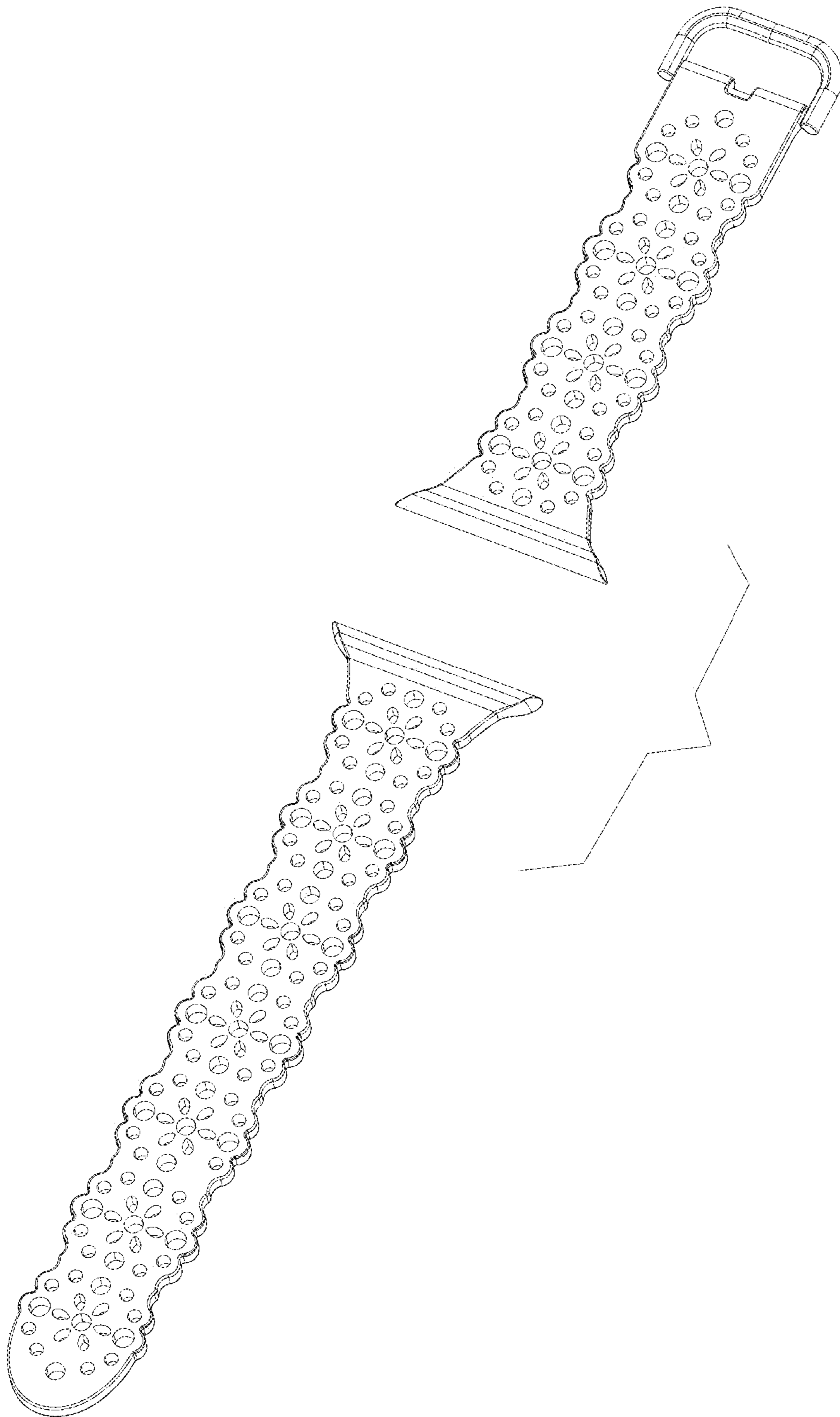


FIG. 1

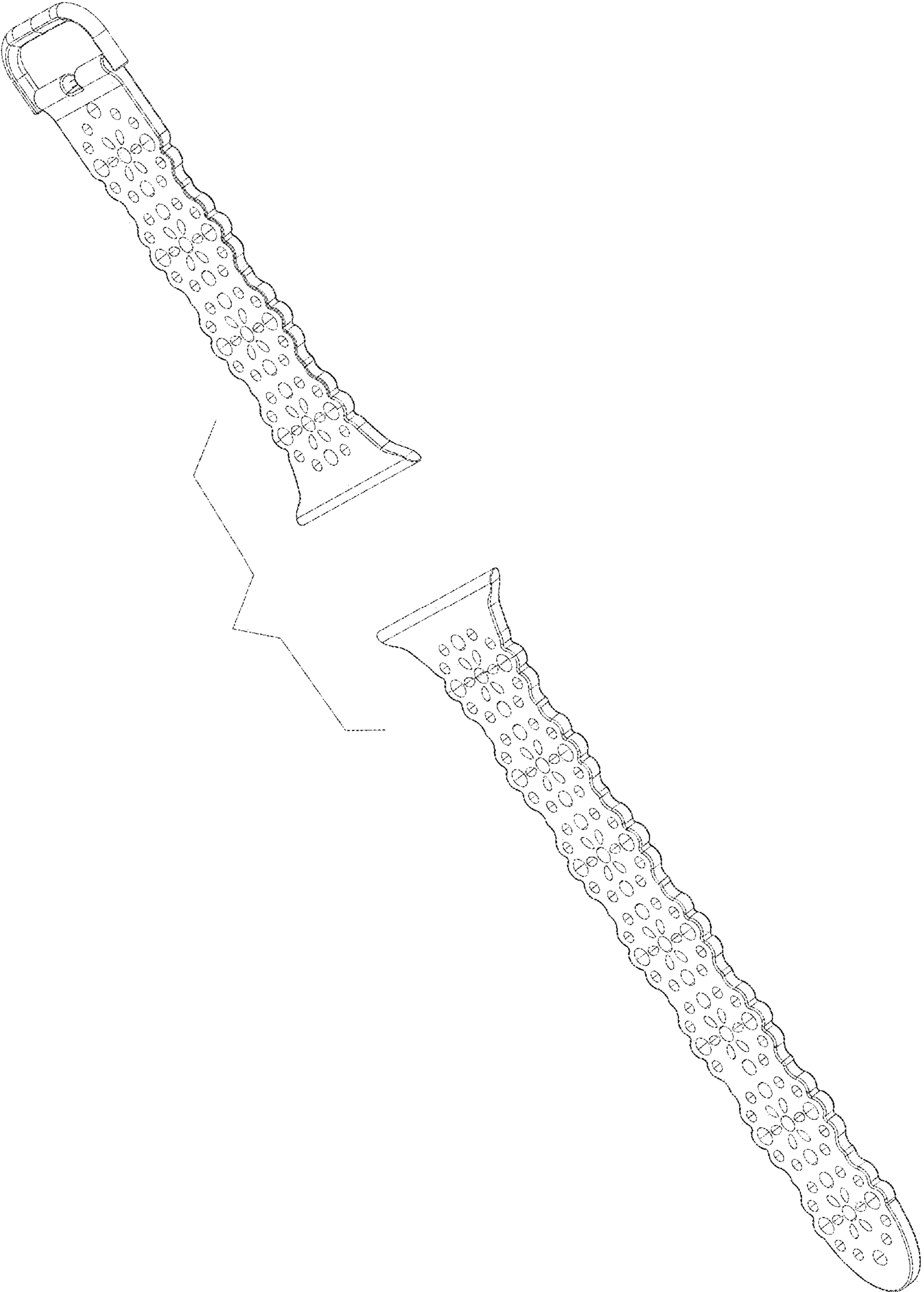


FIG. 2

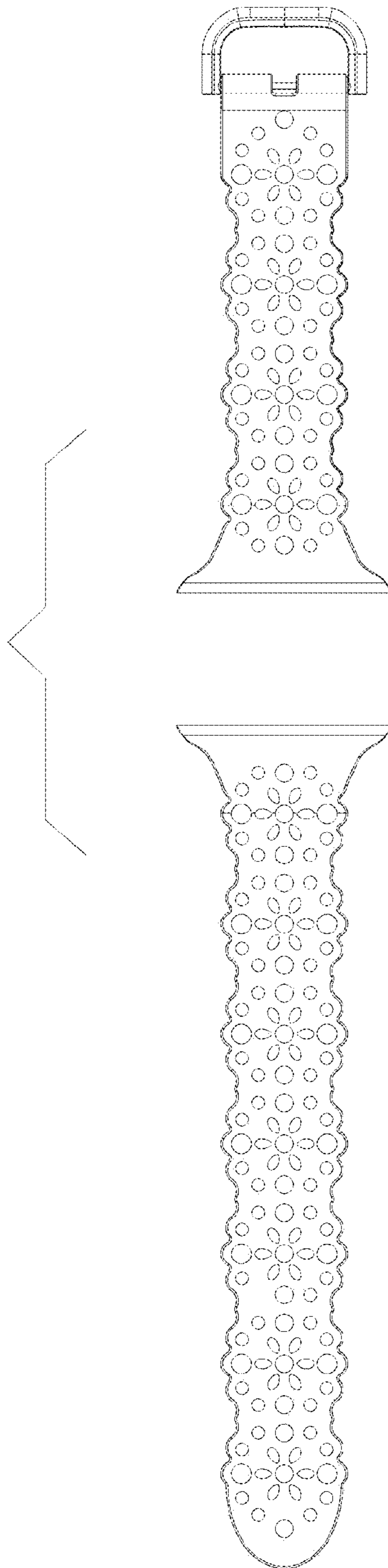


FIG. 3

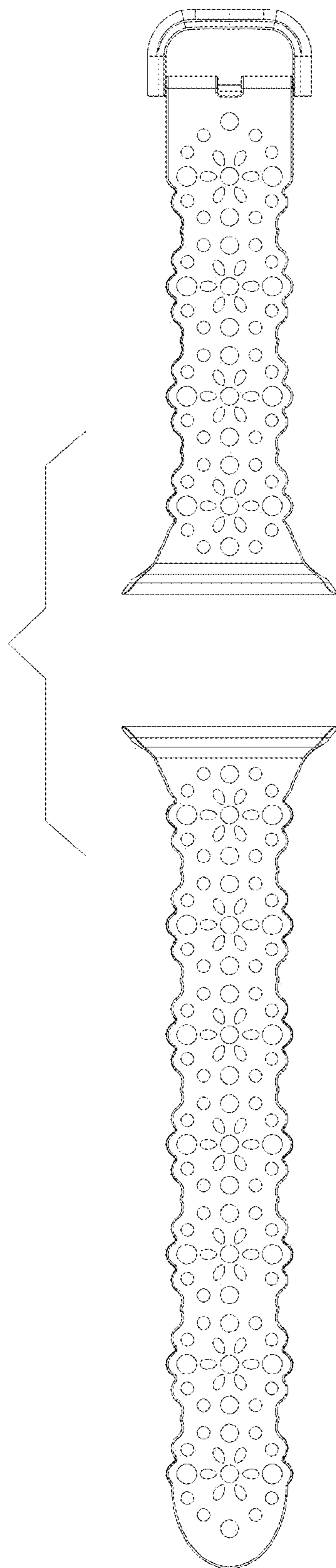


FIG. 4

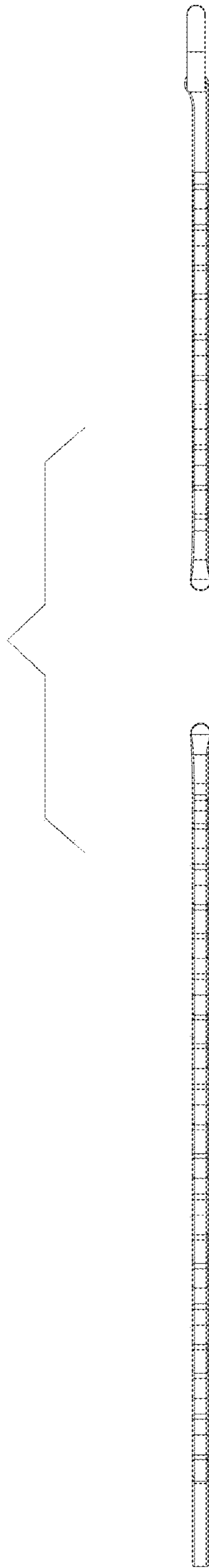


FIG. 5

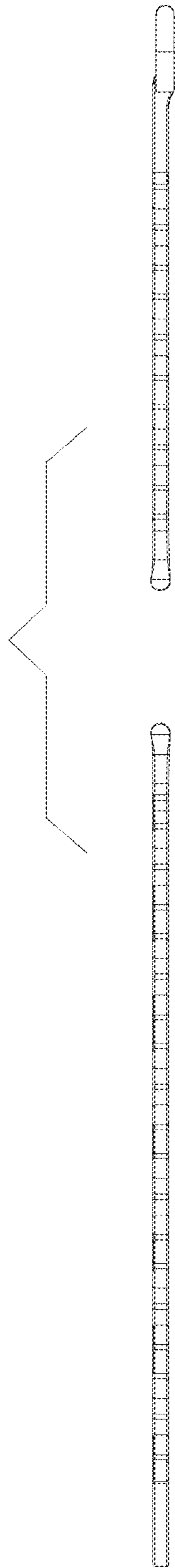


FIG. 6



FIG. 7

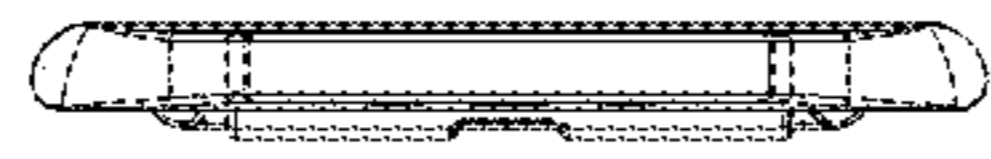


FIG. 8

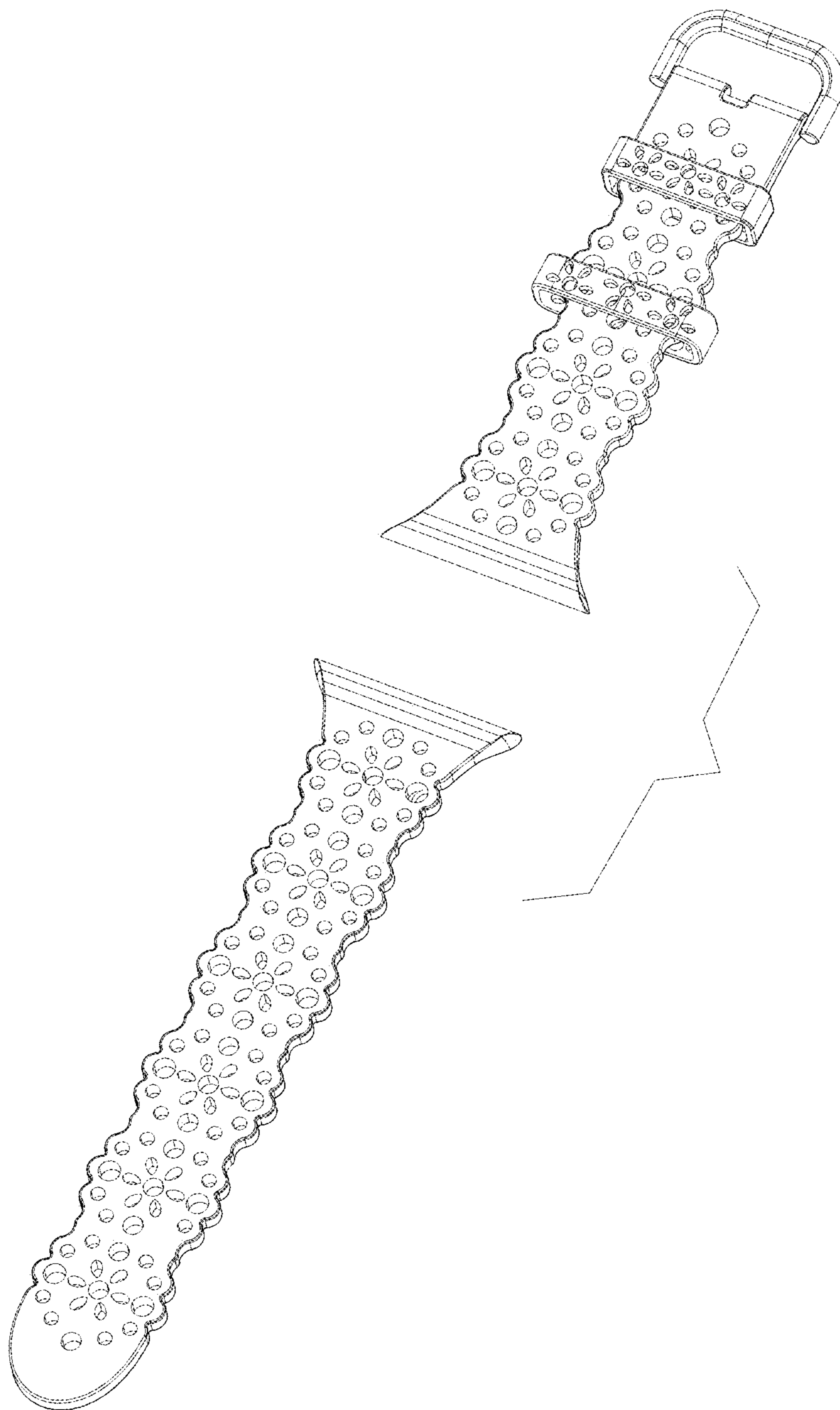


FIG. 9

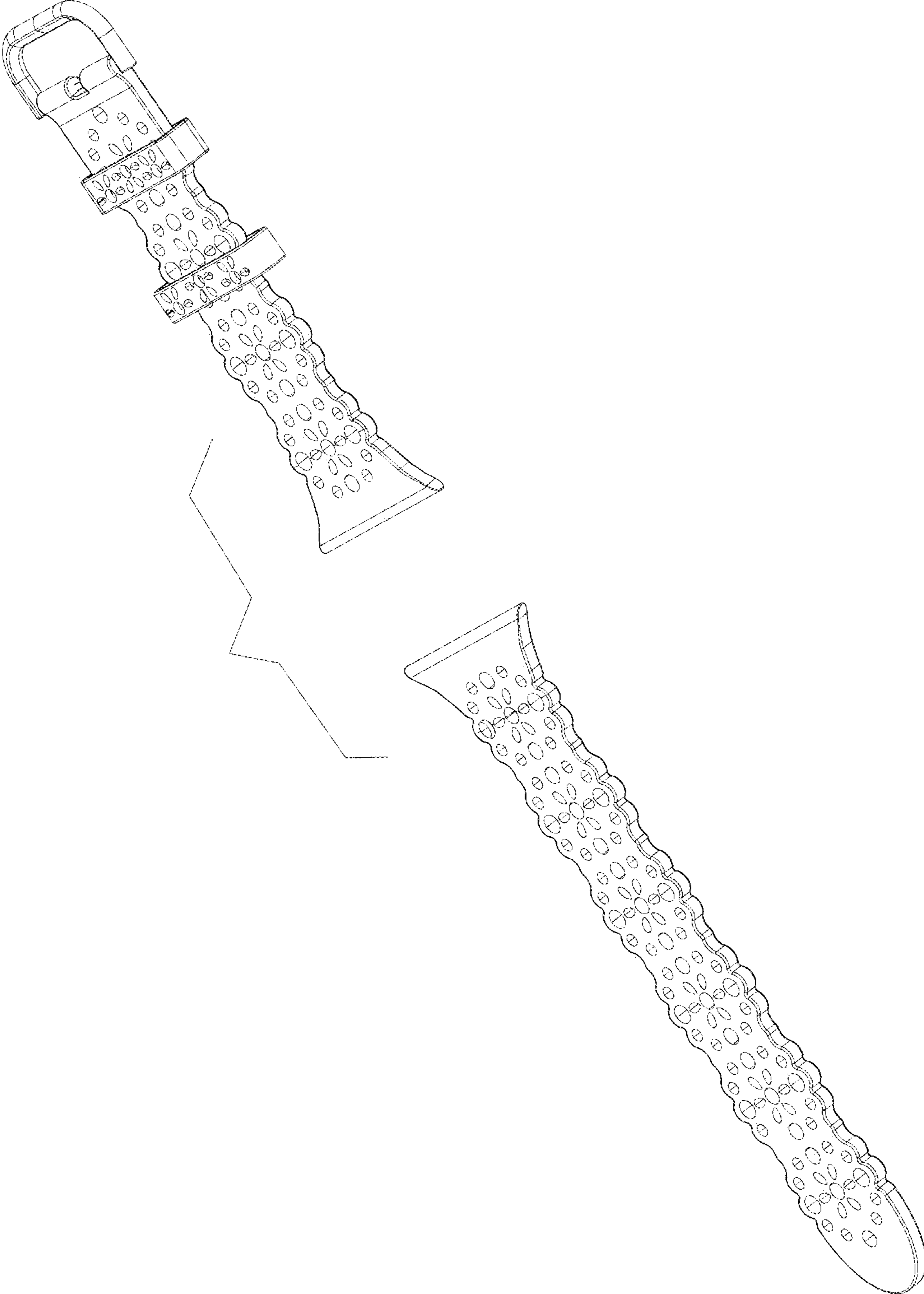


FIG. 10

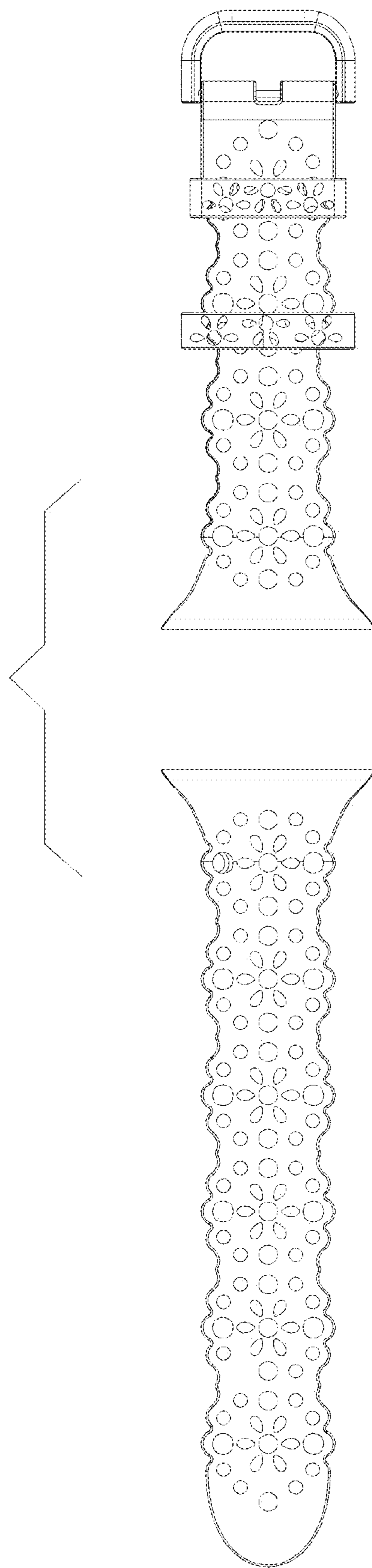


FIG. 11

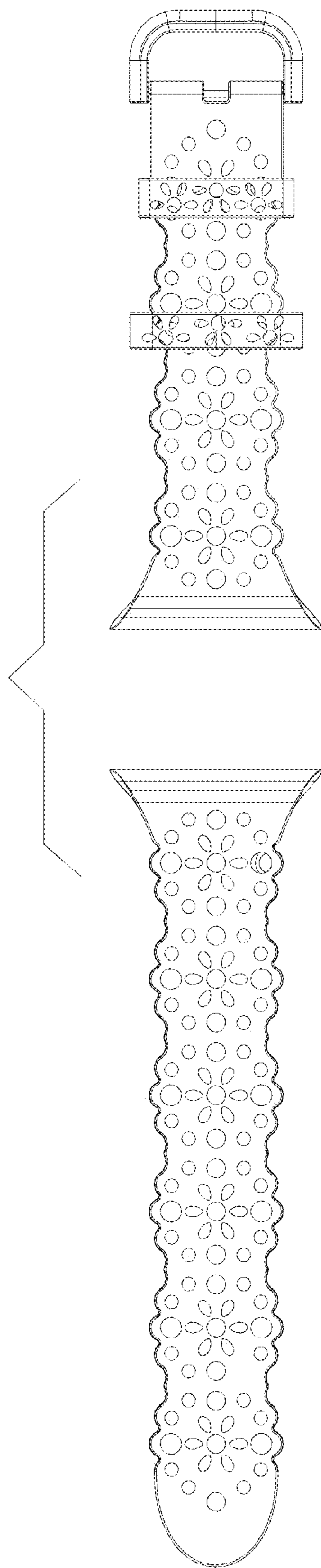


FIG. 12

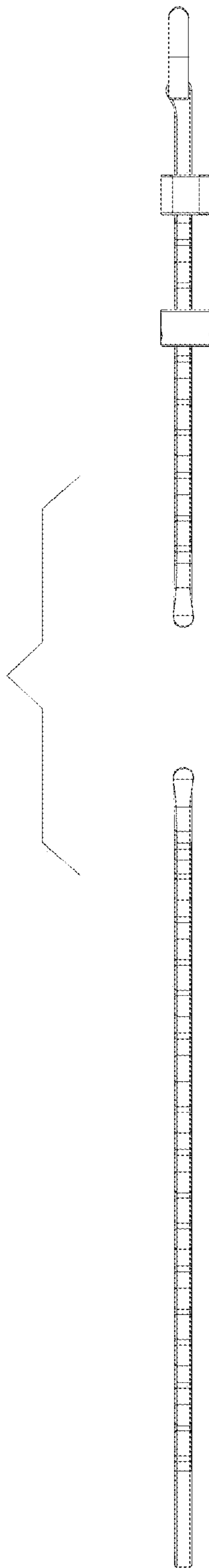


FIG. 13

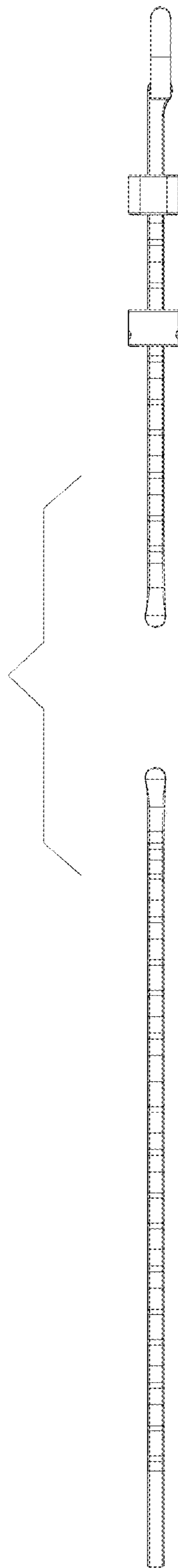


FIG. 14

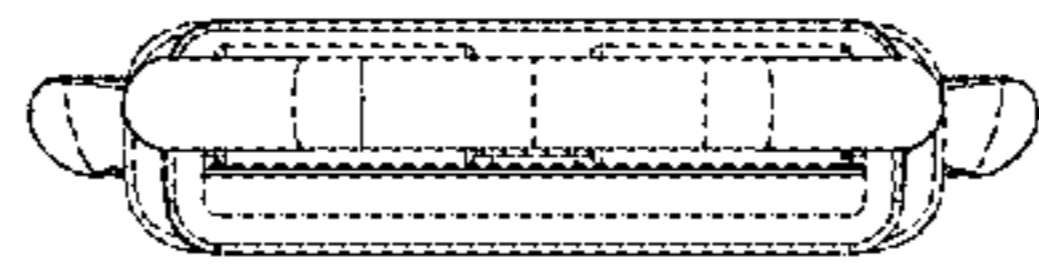


FIG. 15



FIG. 16