



US00D963504S

(12) **United States Design Patent**
Yu et al.

(10) **Patent No.:** **US D963,504 S**
(45) **Date of Patent:** **** Sep. 13, 2022**

(54) **WRISTBAND**

DESCRIPTION

(71) Applicants: **Zepp, Inc.**, Cupertino, CA (US); **Anhui Huami Information Technology Co., Ltd.**, Hefei (CN)

(72) Inventors: **Pengtao Yu**, Mountain View, CA (US); **Jing Zhao**, Anhui (CN); **Qianfu Huang**, Anhui (CN)

(73) Assignees: **Zepp, Inc.**, Cupertino, CA (US); **Anhui Huami Information Technology Co., Ltd.**, Anhui (CN)

(**) Term: **15 Years**

(21) Appl. No.: **29/702,137**

(22) Filed: **Aug. 16, 2019**

(51) **LOC (13) Cl.** **11-01**

(52) **U.S. Cl.**
USPC **D11/3**

(58) **Field of Classification Search**
USPC D11/1-3; D10/30, 31, 32; D14/344;
D24/167; D2/624, 626, 627, 634, 635,
D2/638; D30/152, 153

(Continued)

(56) **References Cited**

U.S. PATENT DOCUMENTS

D742,875 S * 11/2015 Ji D14/344
D747,714 S * 1/2016 Erbeus D10/32

(Continued)

Primary Examiner — Llorelys Martinez

(74) *Attorney, Agent, or Firm* — Young Basile Hanlon & MacFarlane, P.C.

(57) **CLAIM**

The ornamental design for a wristband, as shown and described.

FIG. 1 is a top, front, and right perspective view of a wristband showing our new design.

FIG. 2 is a front view of the wristband of FIG. 1.

FIG. 3 is a rear view of the wristband of FIG. 1.

FIG. 4 is a left side view of the wristband of FIG. 1.

FIG. 5 is a right side view of the wristband of FIG. 1.

FIG. 6 is a top view of the wristband of FIG. 1.

FIG. 7 is a bottom view of the wristband of FIG. 1.

FIG. 8 is another top, front, and right perspective view of the wristband in FIG. 1.

FIG. 9 is a front view of the wristband of FIG. 8.

FIG. 10 is a rear view of the wristband of FIG. 8.

FIG. 11 is a left side view of the wristband of FIG. 8.

FIG. 12 is a right side view of the wristband of FIG. 8.

FIG. 13 is a top view of the wristband of FIG. 8.

FIG. 14 is a bottom view of the wristband of FIG. 8.

FIG. 15 is another top, front, and right perspective view of the wristband in FIG. 1.

FIG. 16 is a front view of the wristband of FIG. 15.

FIG. 17 is a rear view of the wristband of FIG. 15.

FIG. 18 is a left side view of the wristband of FIG. 15.

FIG. 19 is a right side view of the wristband of FIG. 15.

FIG. 20 is a top view of the wristband of FIG. 15.

FIG. 21 is a bottom view of the wristband of FIG. 15.

FIG. 22 is another top, front, and right perspective view of the wristband in FIG. 1.

FIG. 23 is a front view of the wristband of FIG. 22.

FIG. 24 is a rear view of the wristband of FIG. 22.

FIG. 25 is a left side view of the wristband of FIG. 22.

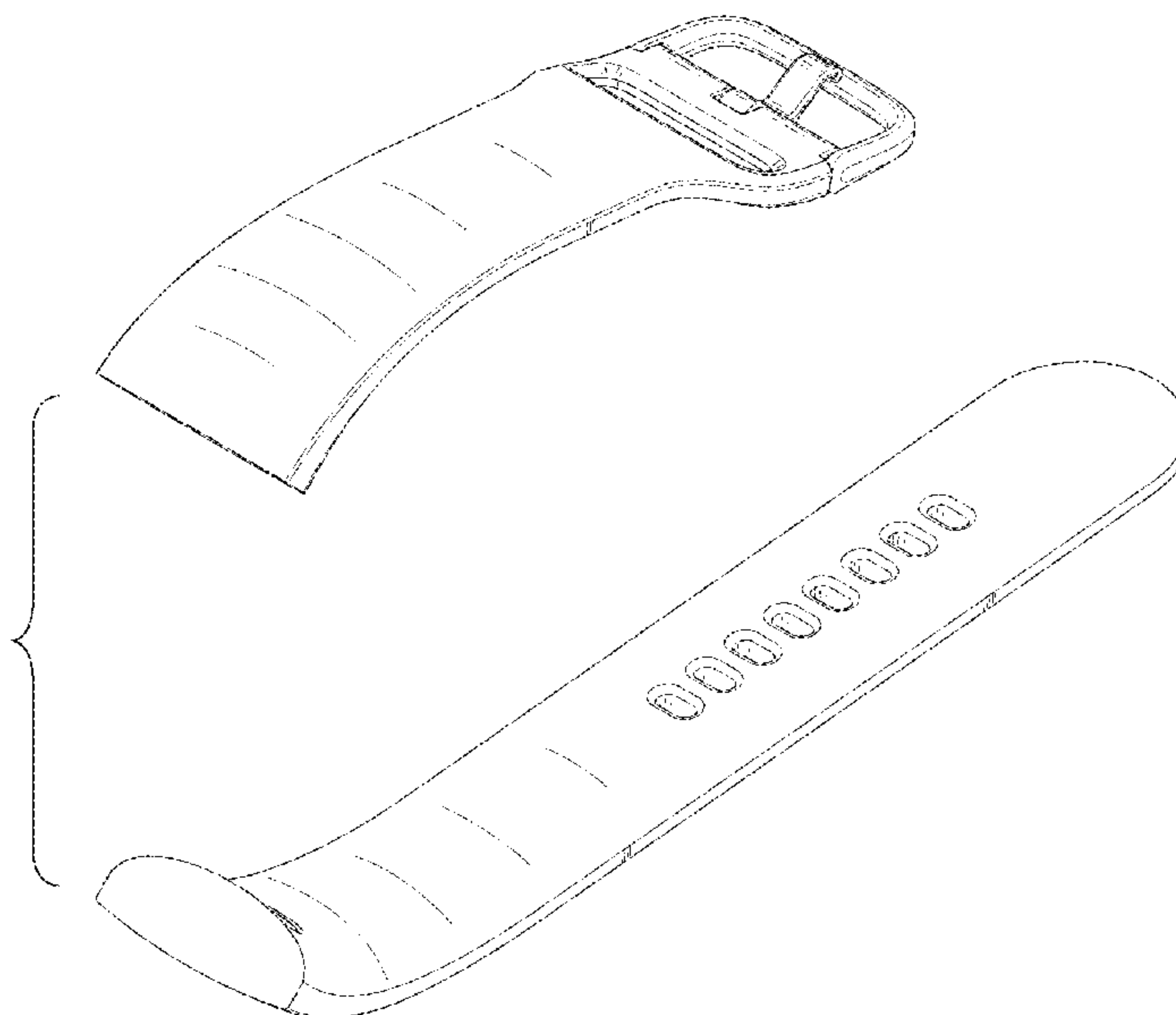
FIG. 26 is a right side view of the wristband of FIG. 22.

FIG. 27 is a top view of the wristband of FIG. 22; and,

FIG. 28 is a bottom view of the wristband of FIG. 22.

The broken line showing in FIGS. 1-7 and 15-21 illustrate environmental subject matter only and form no part of the claimed design. The shade lines in the figures show contour, not surface ornamentation and form no part of the claimed design.

1 Claim, 16 Drawing Sheets



(58) **Field of Classification Search**

CPC A44C 11/00; A44C 5/00; A44C 5/0015;
A44C 5/0053; A44C 5/0069; A44C 5/16;
A44C 5/20

See application file for complete search history.

(56) **References Cited**

U.S. PATENT DOCUMENTS

D750,623	S	*	3/2016	Park	D14/344
D752,043	S	*	3/2016	Ji	D14/344
D787,960	S	*	5/2017	Park	D24/167
D812,608	S	*	3/2018	Jones	D14/344
D833,625	S	*	11/2018	Guan	D14/344
D840,042	S	*	2/2019	Yan	D24/167
D860,818	S	*	9/2019	Viry	D10/32
D881,876	S	*	4/2020	Xiao	D14/344
D884,695	S	*	5/2020	Jones	D14/344
D893,473	S	*	8/2020	Bihan	D14/344
D902,769	S	*	11/2020	Riot	D14/344
D921,516	S	*	6/2021	Ouyang	D11/3
D923,004	S	*	6/2021	Gao	D14/344
D933,649	S	*	10/2021	Yu	D14/344
2016/0062410	A1	*	3/2016	Ko	G06F 1/163 361/679.03

* cited by examiner

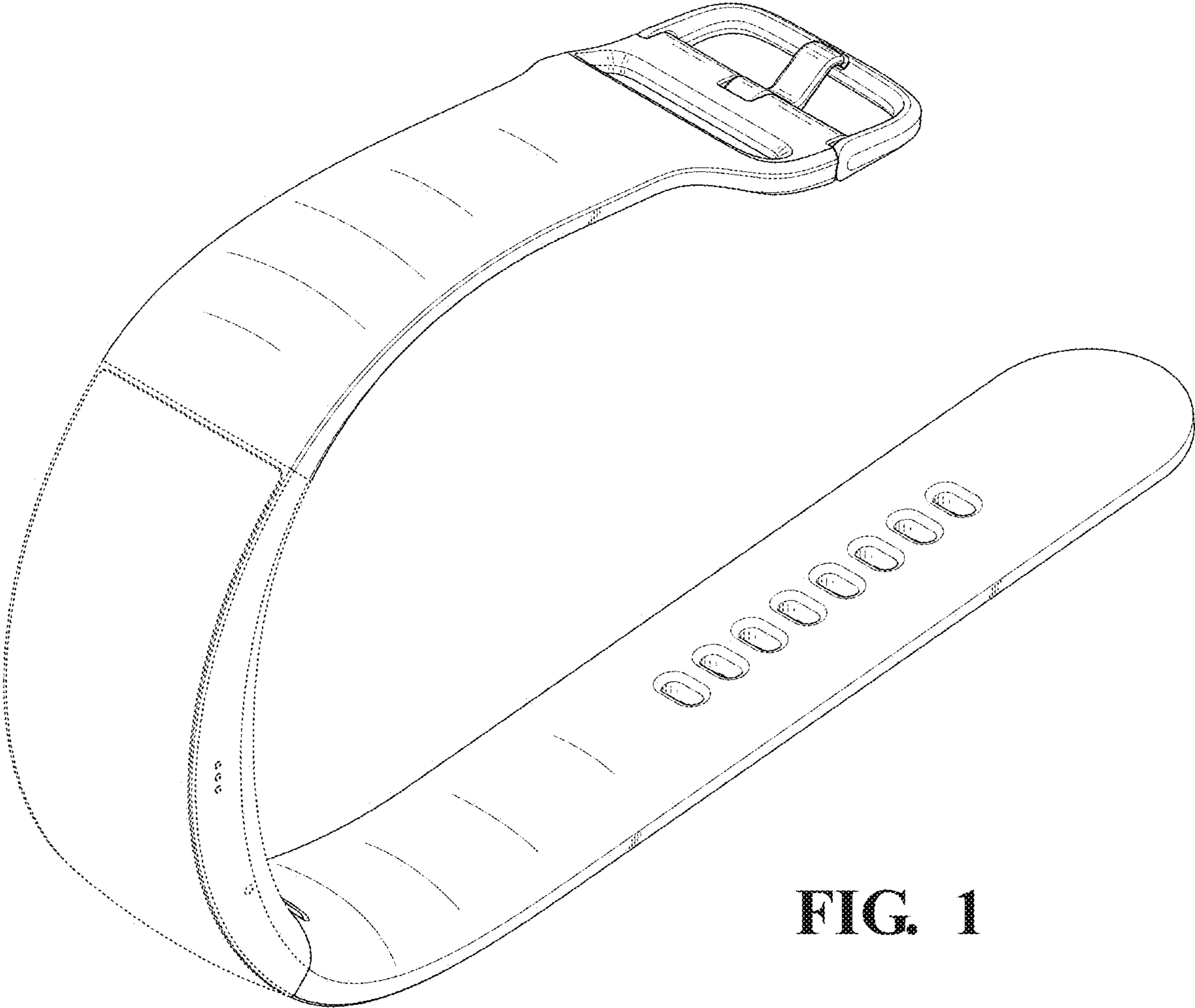


FIG. 1

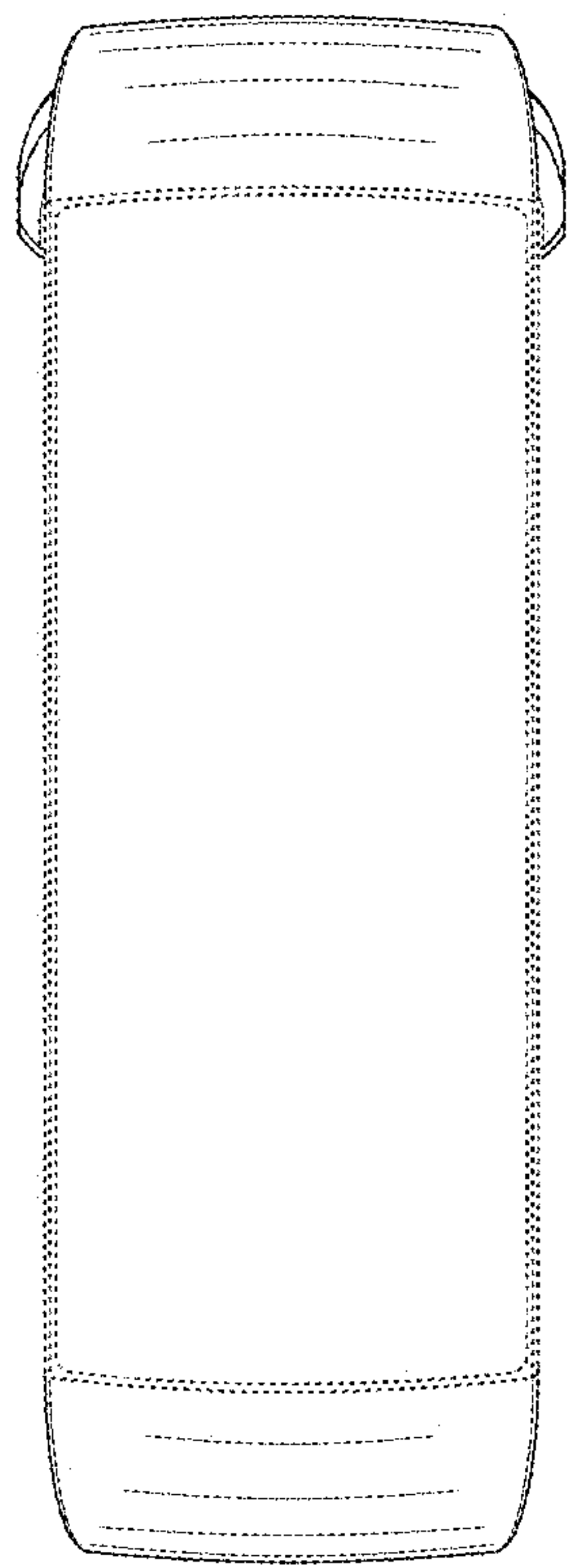


FIG. 2

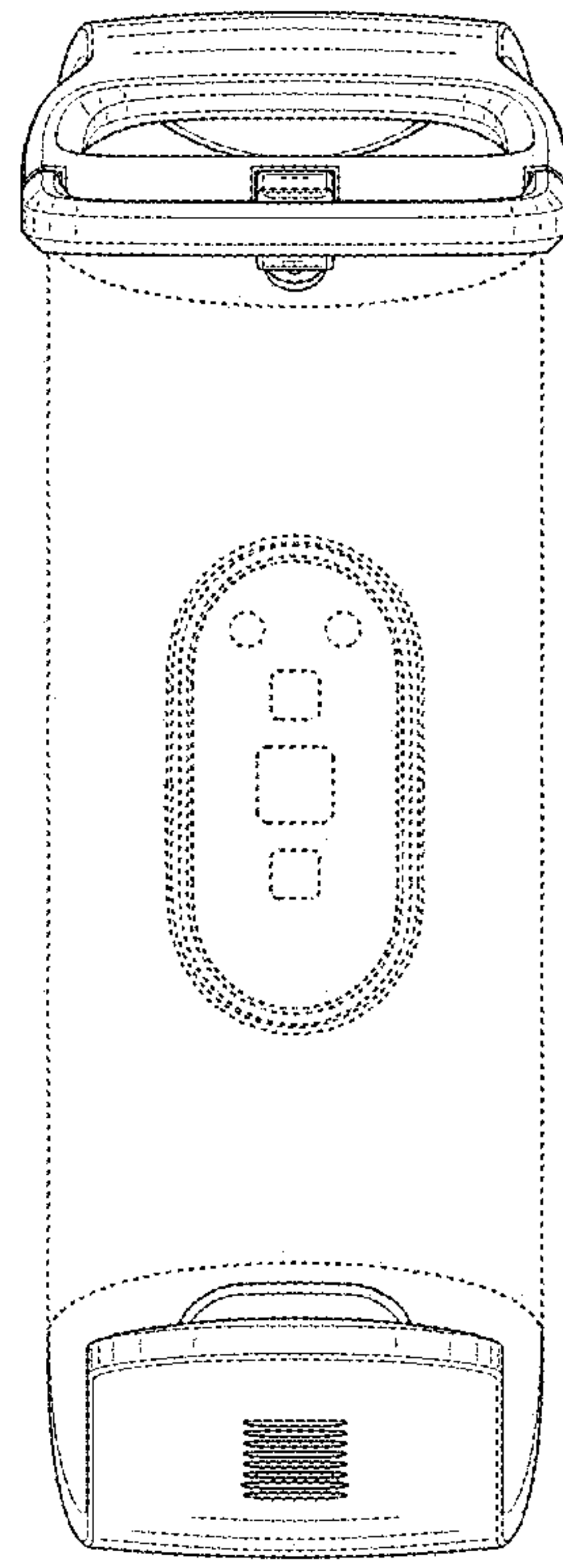


FIG. 3

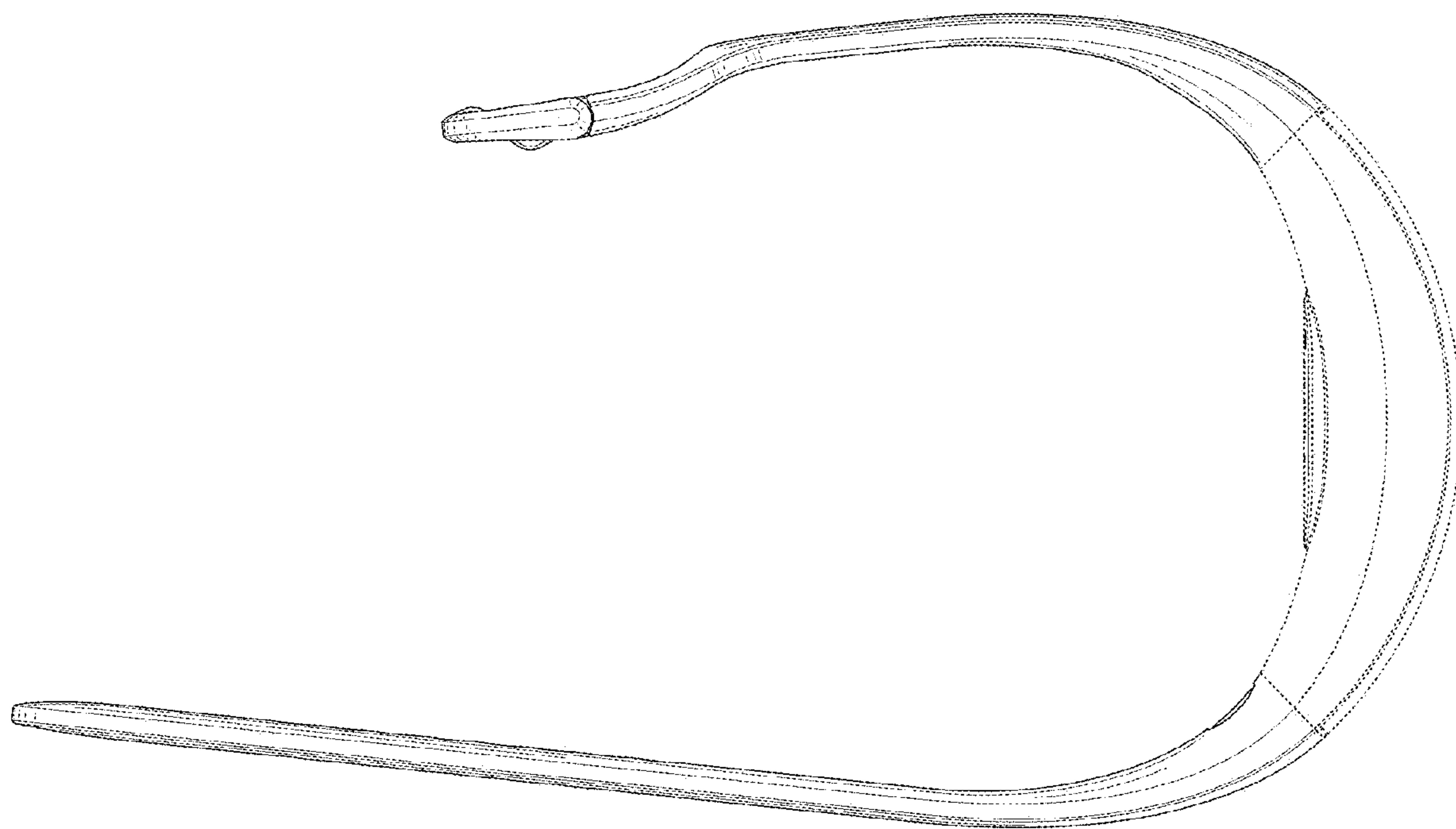


FIG. 4

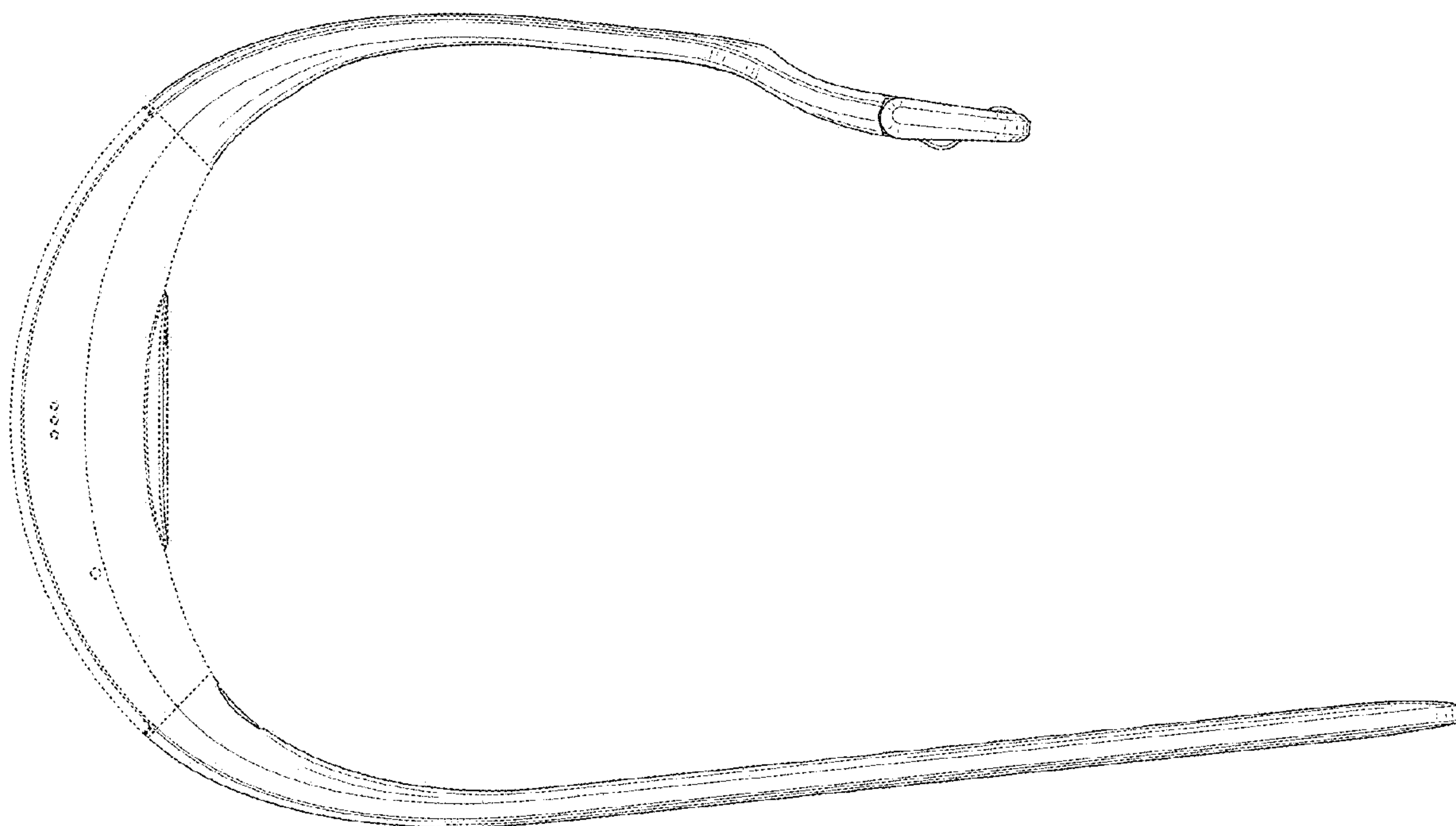


FIG. 5

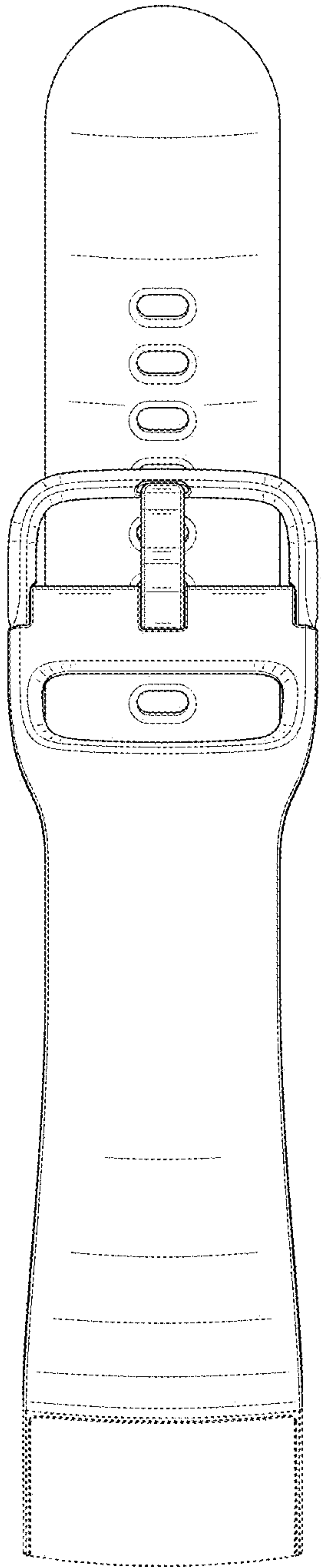


FIG. 6

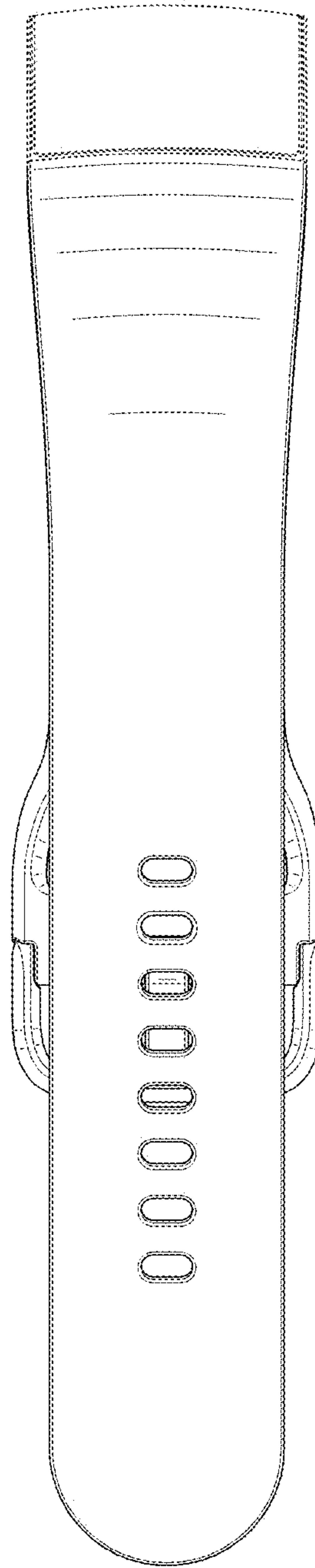


FIG. 7

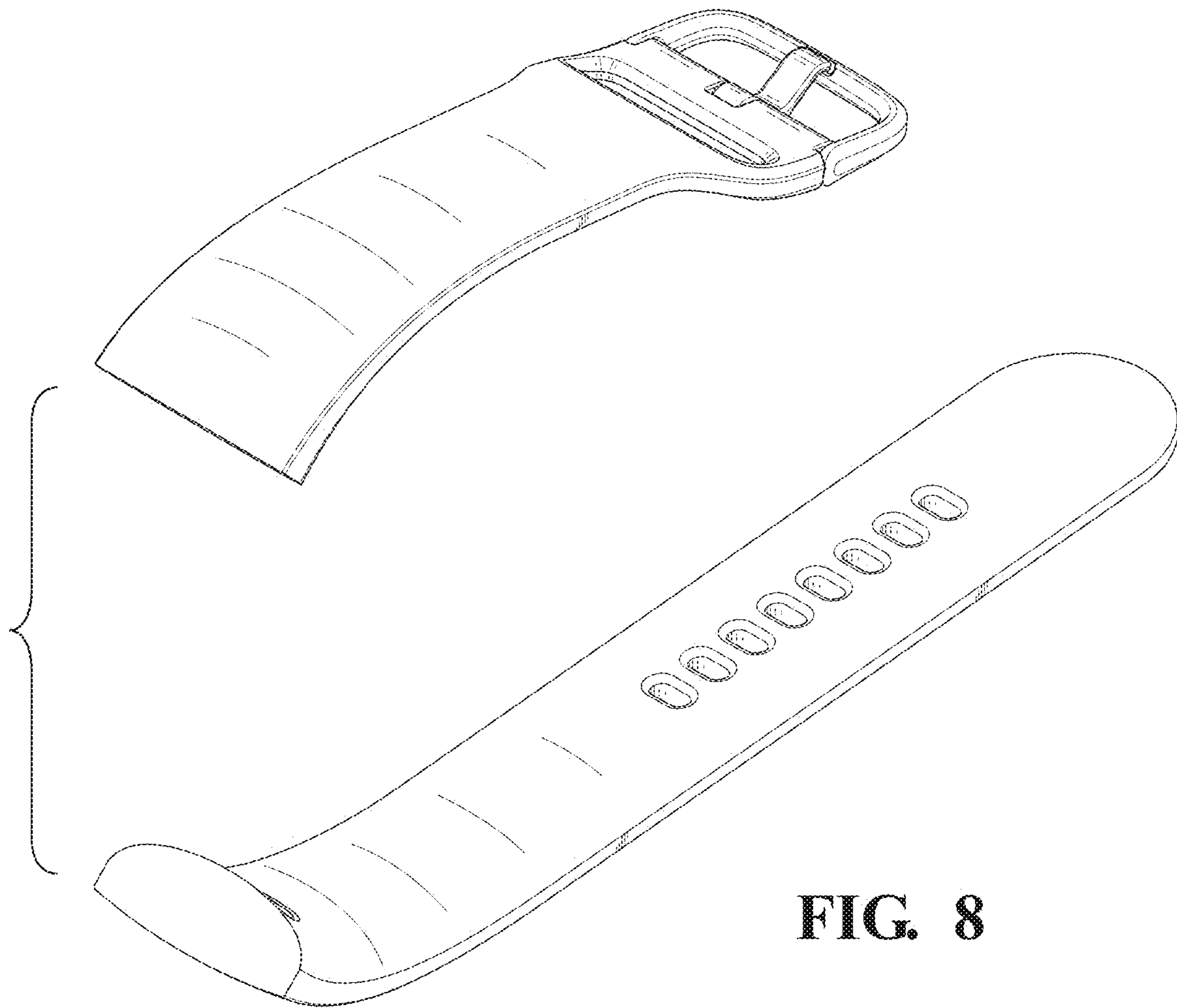


FIG. 8

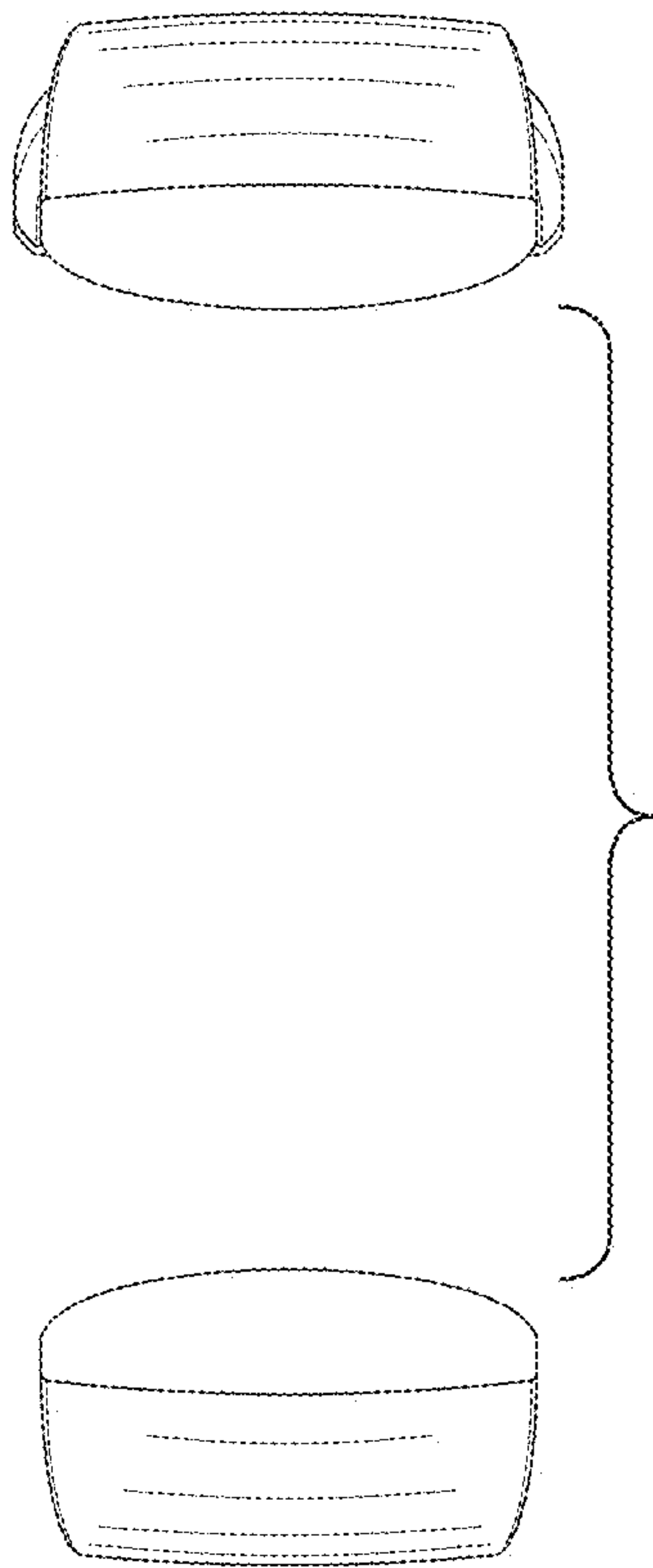


FIG. 9

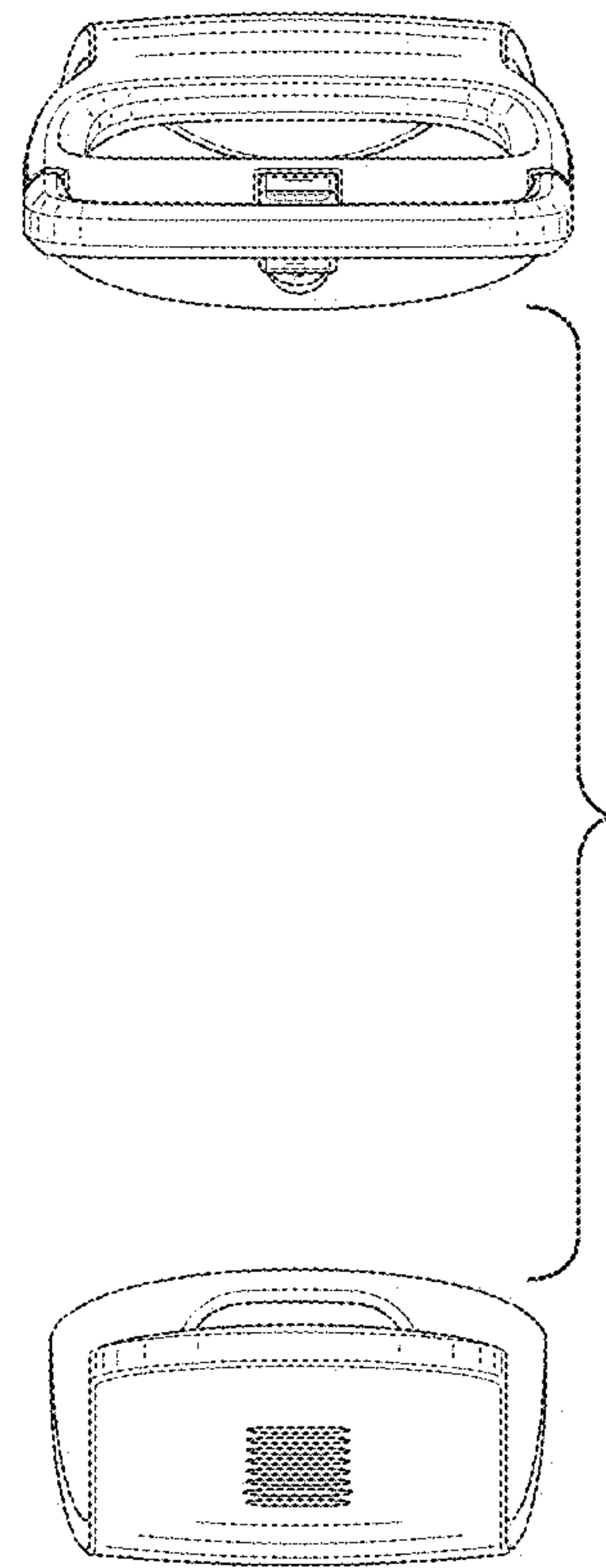
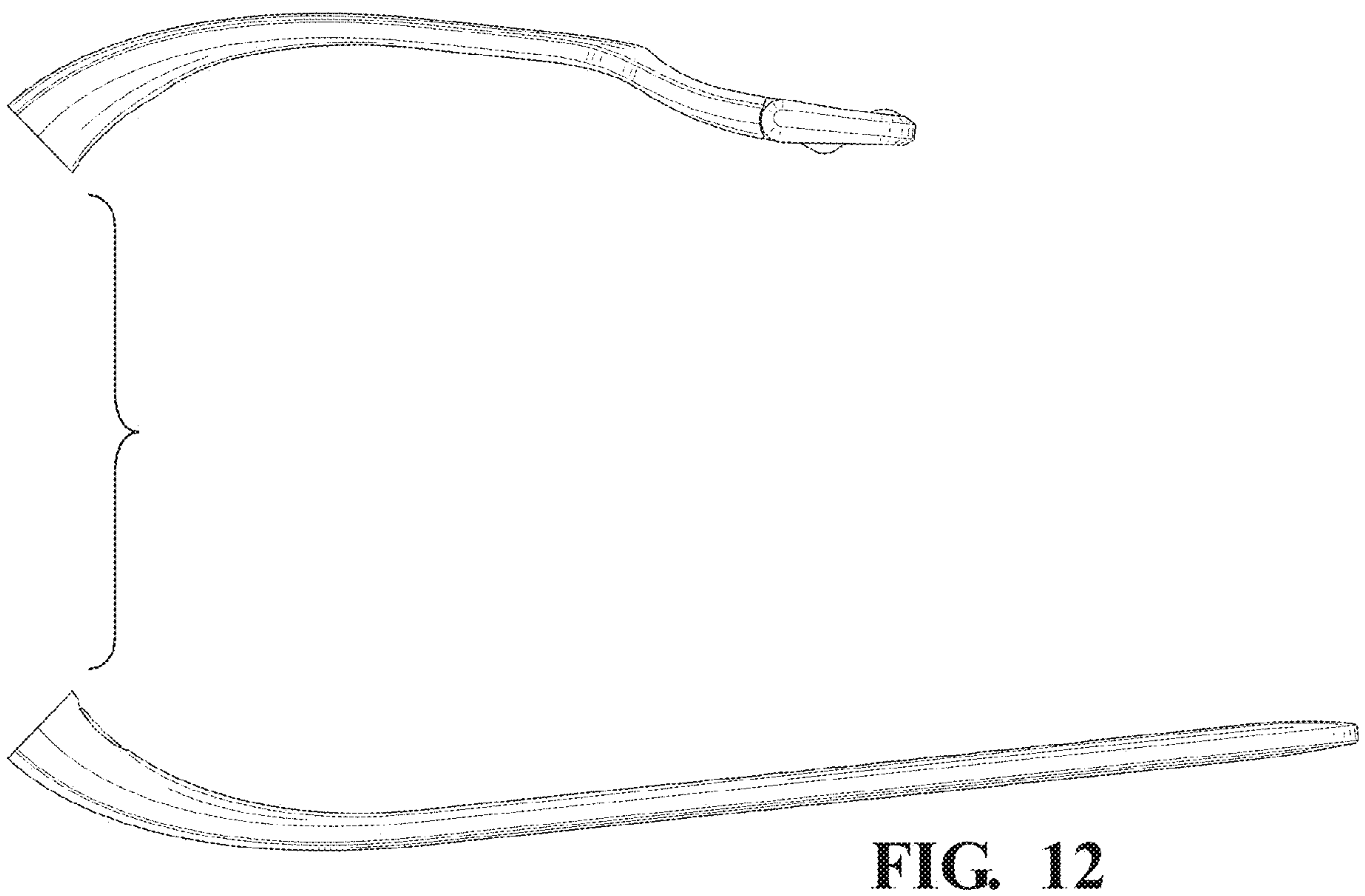
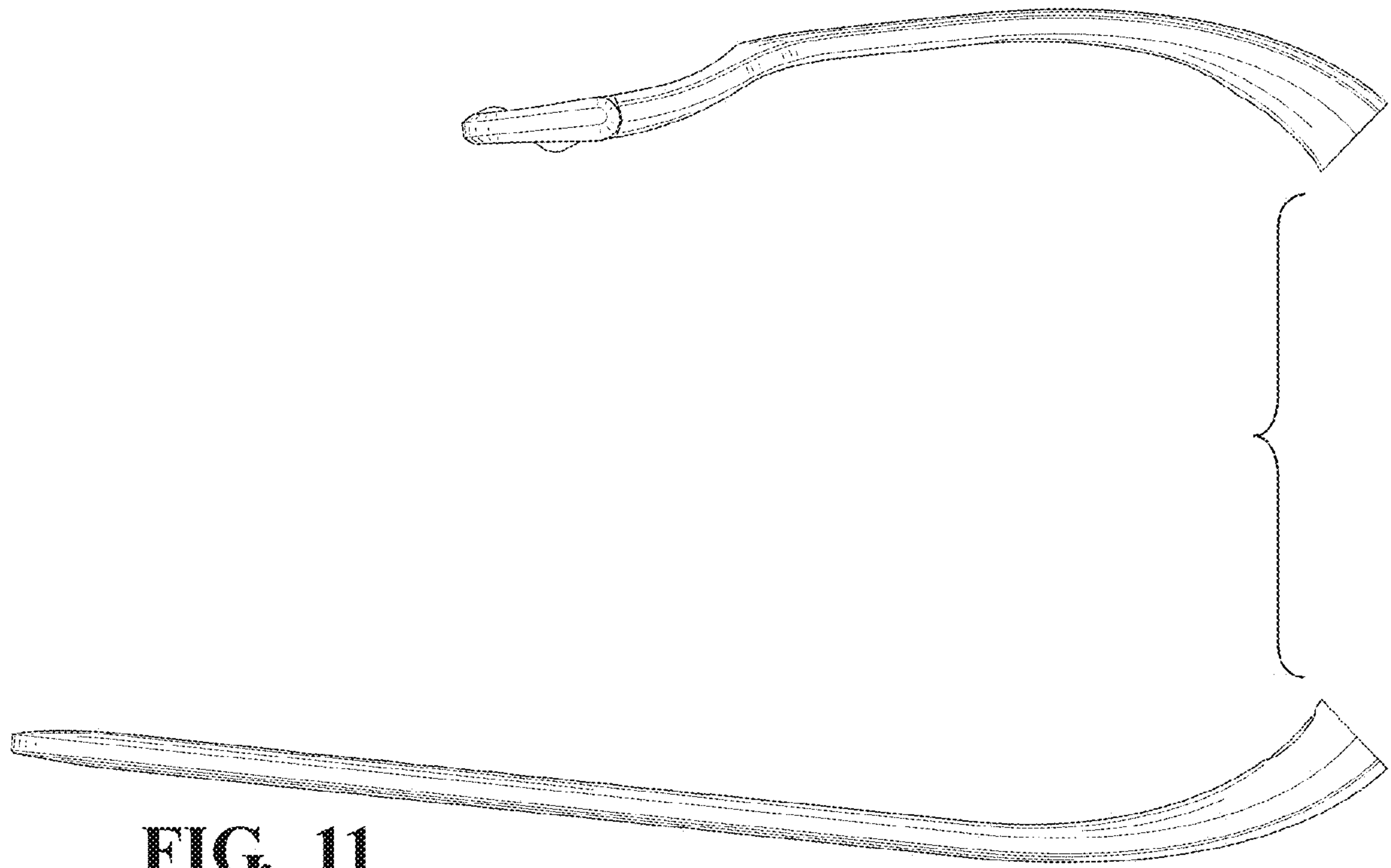


FIG. 10



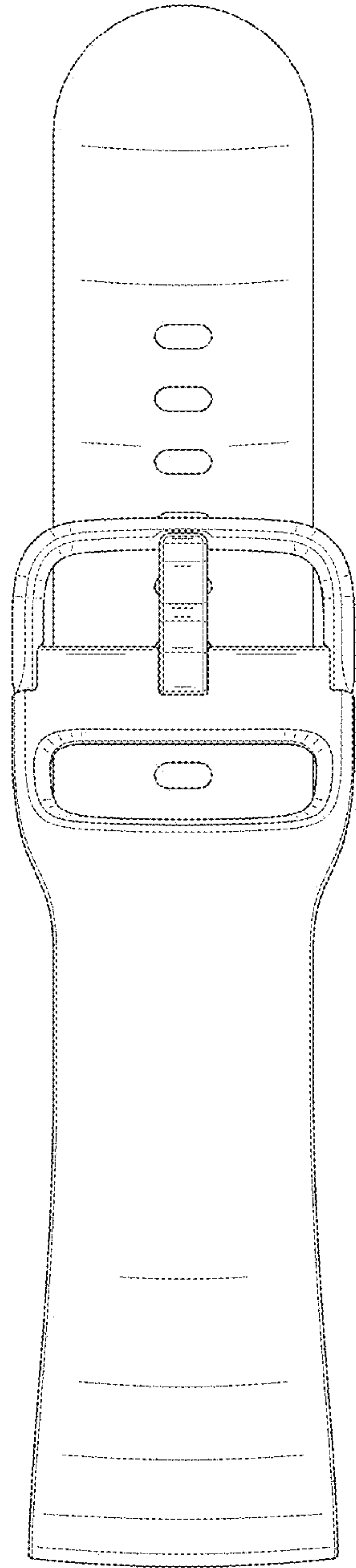


FIG. 13

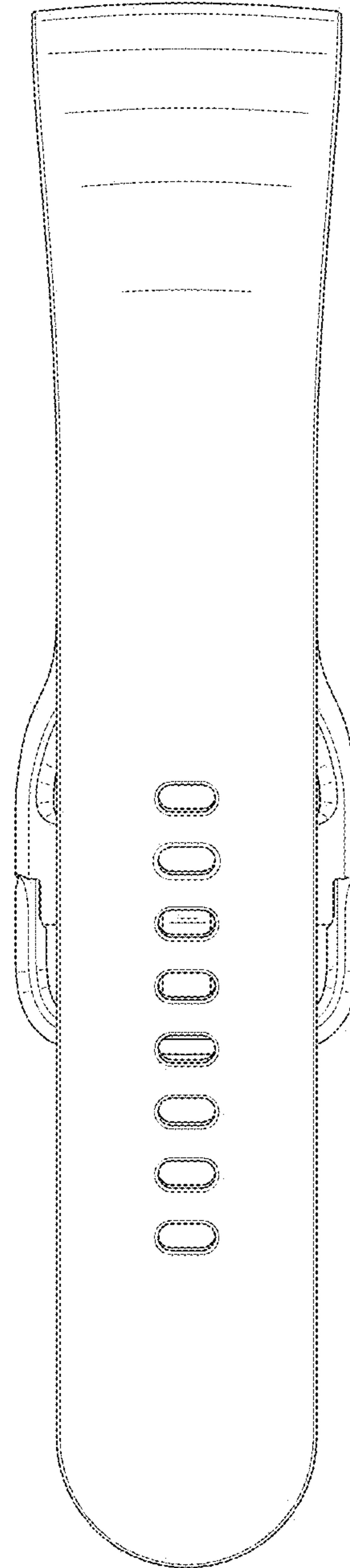


FIG. 14

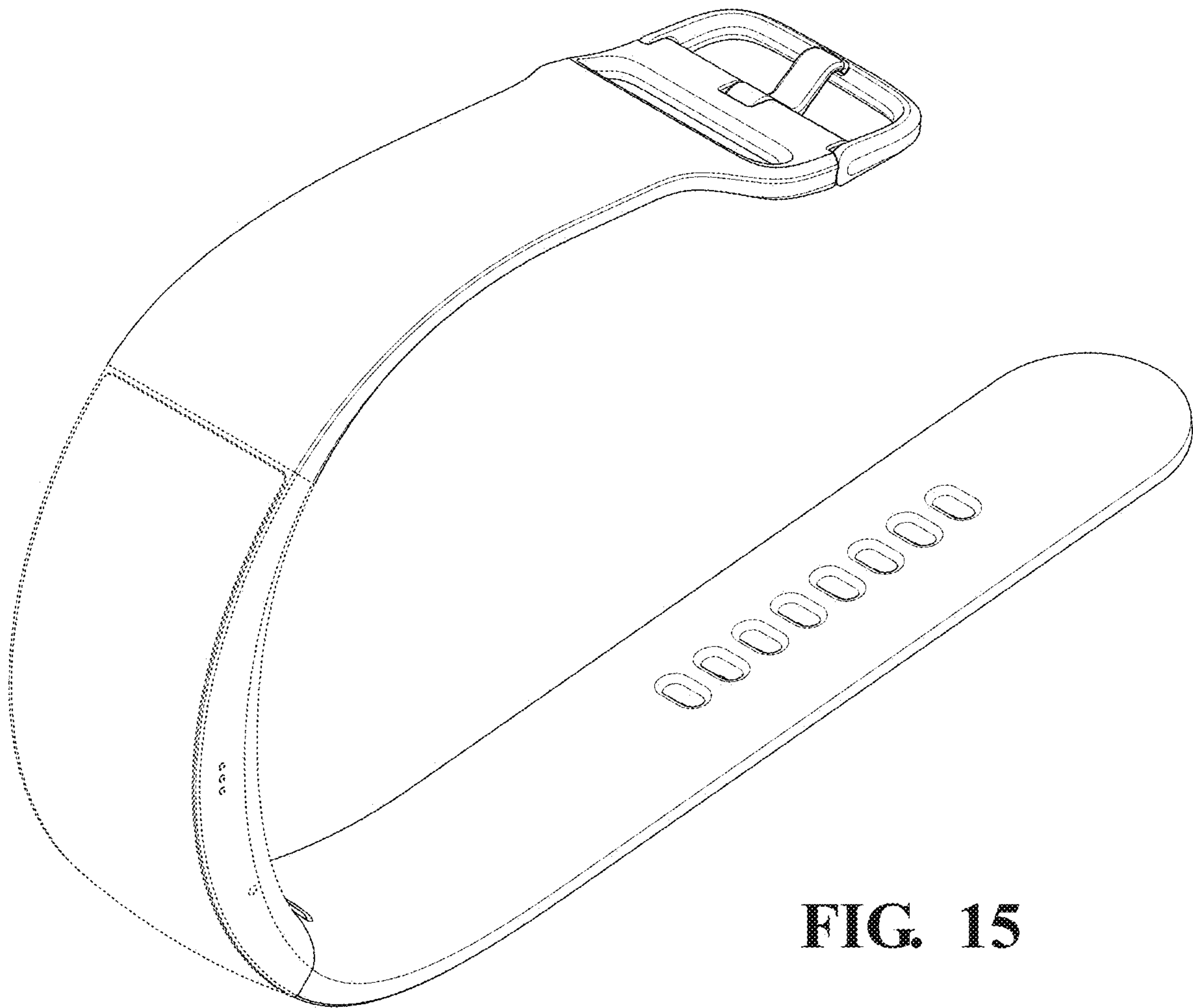


FIG. 15

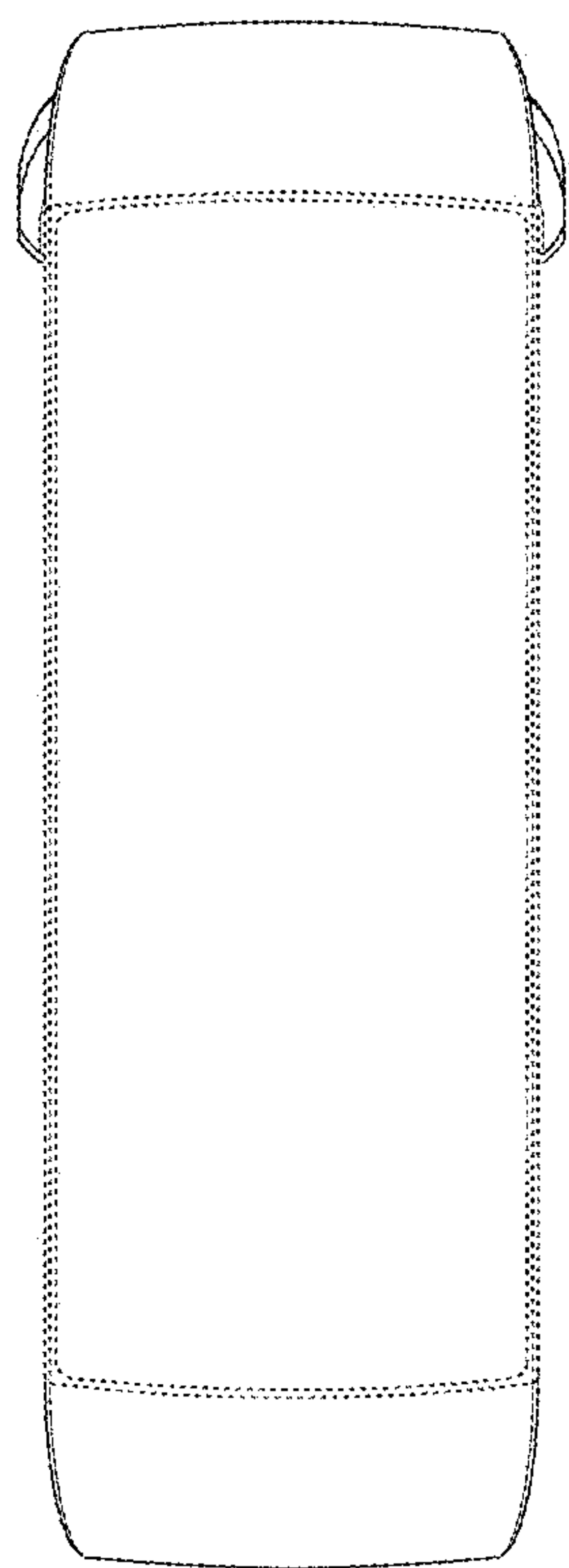


FIG. 16

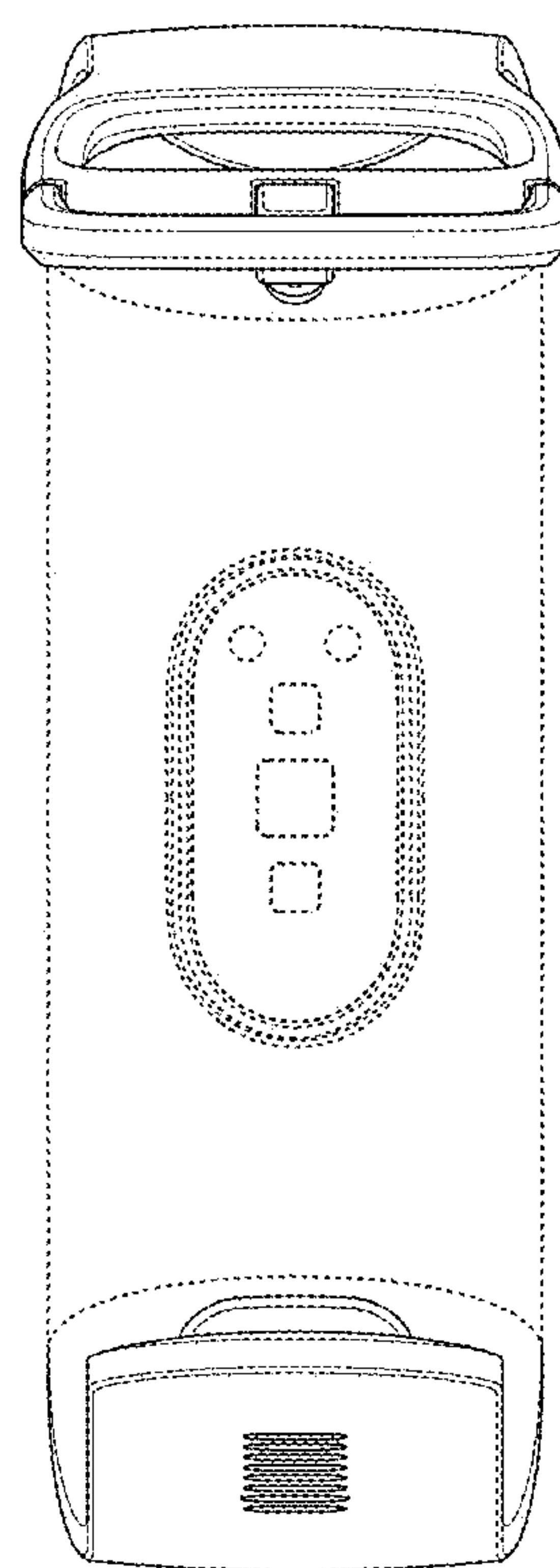


FIG. 17

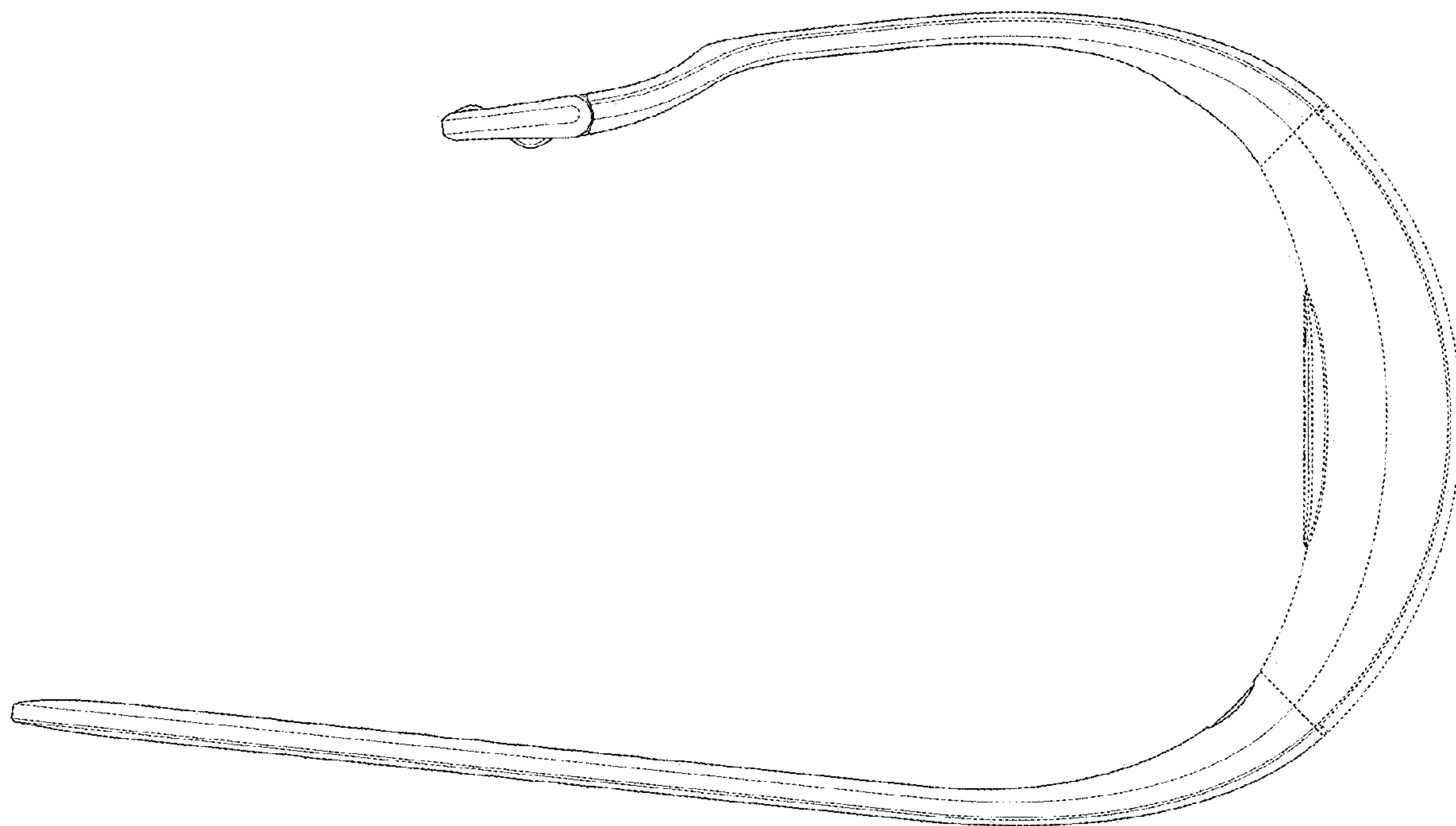


FIG. 18

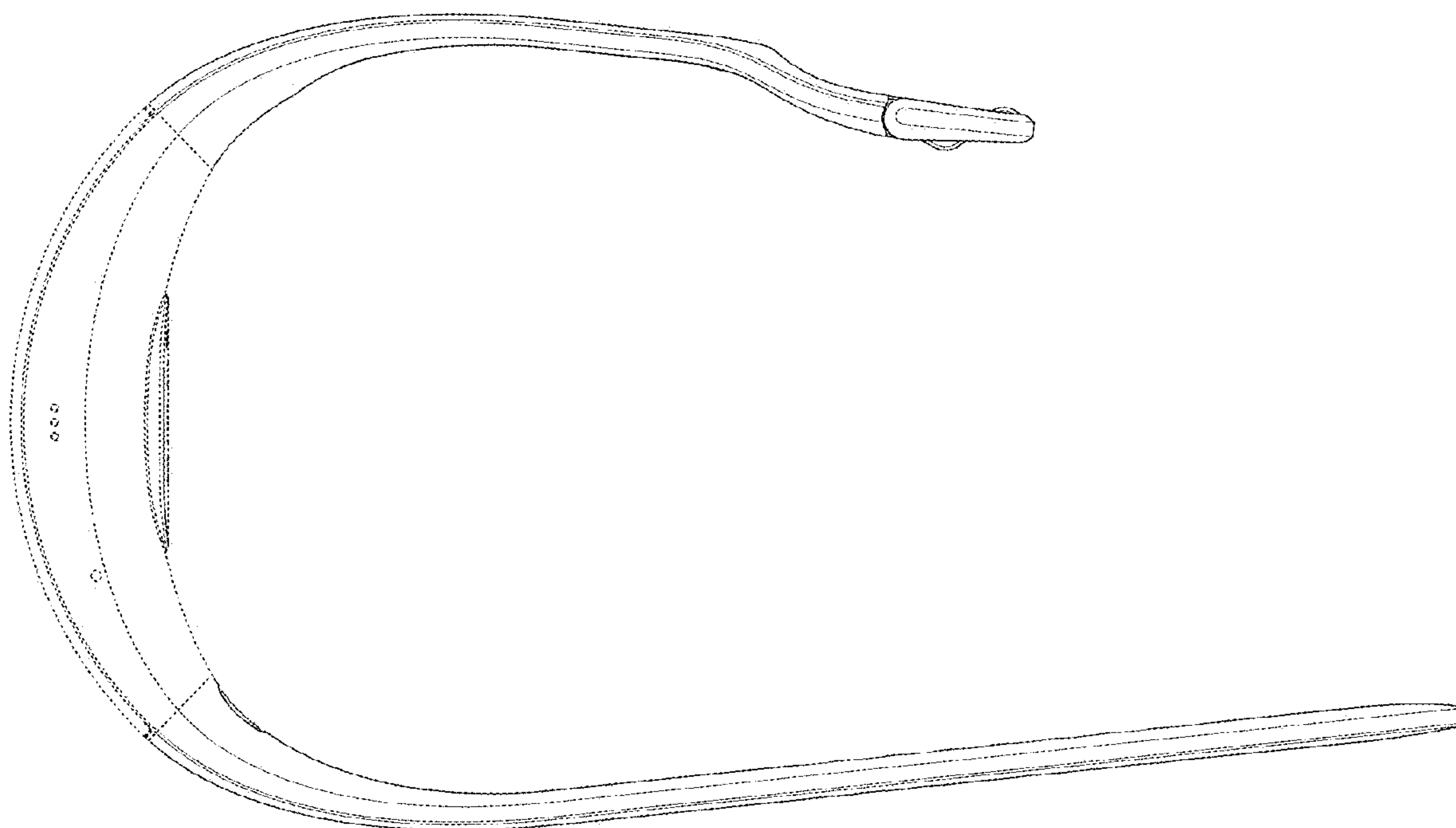


FIG. 19

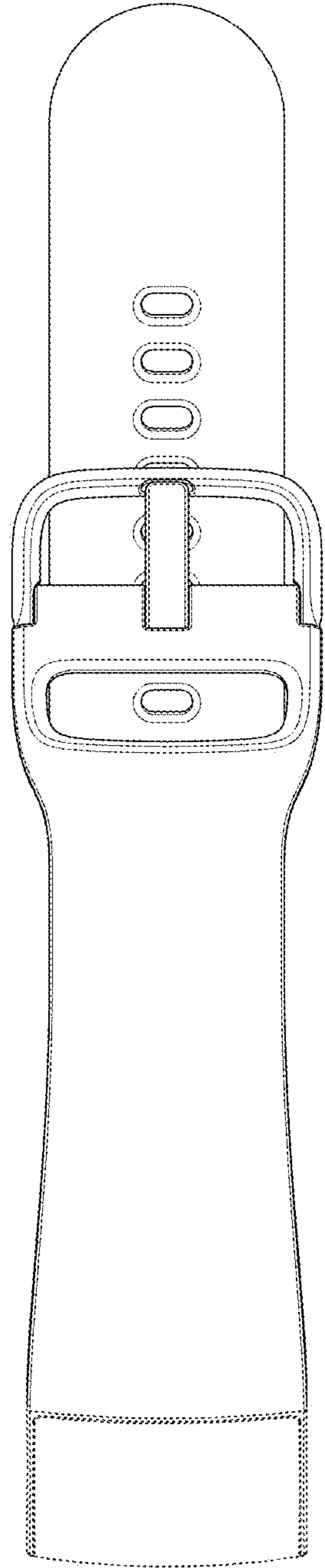


FIG. 20

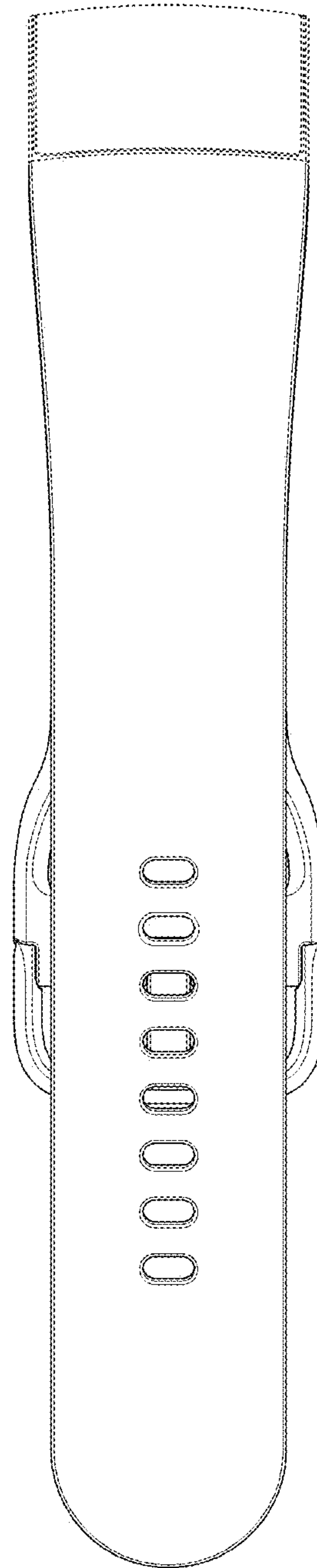


FIG. 21

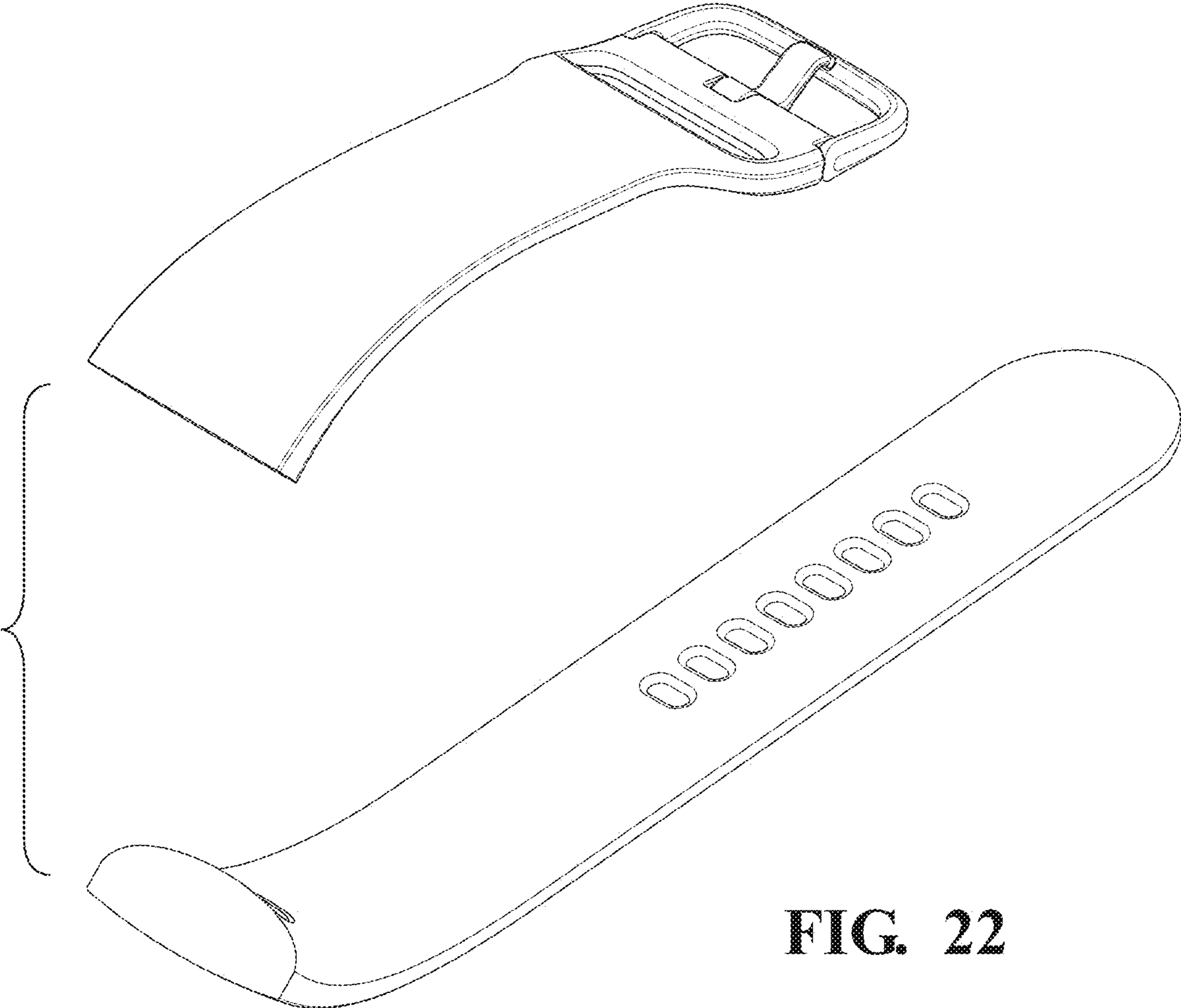


FIG. 22

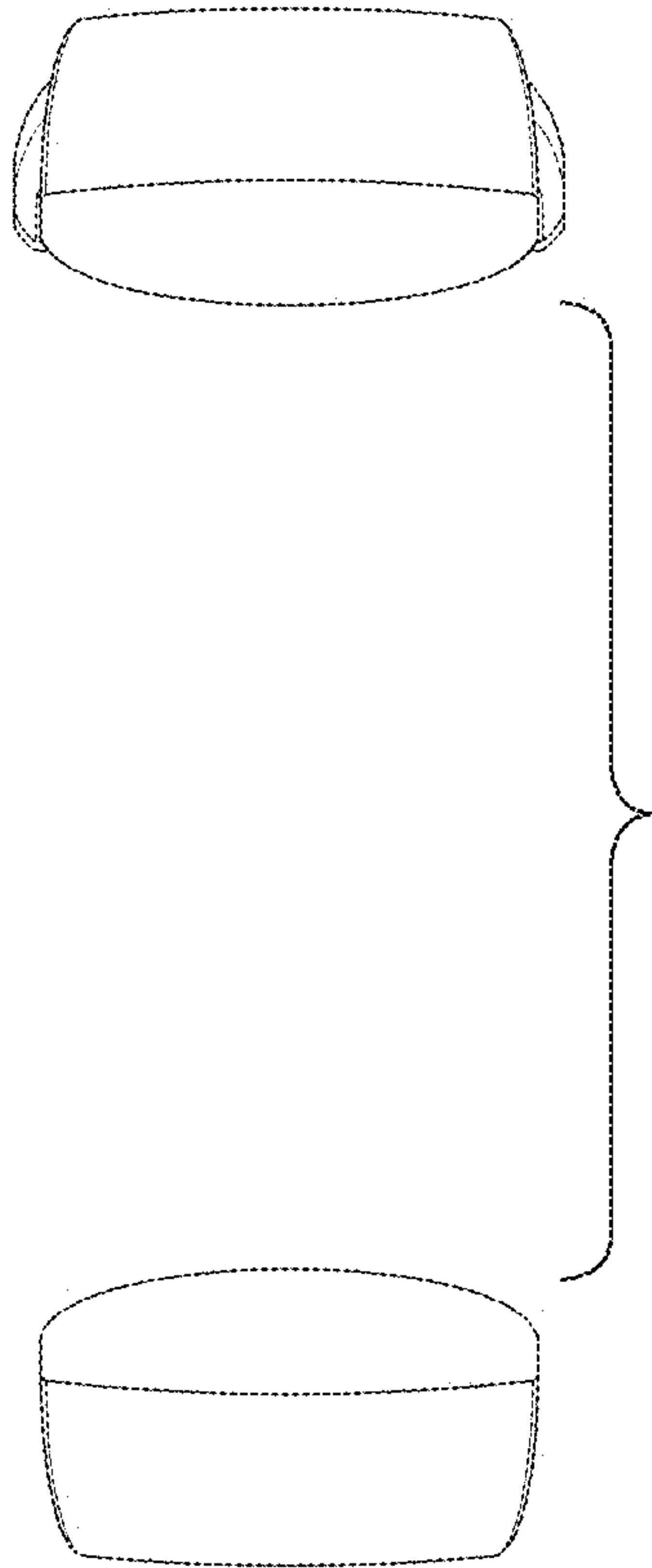


FIG. 23

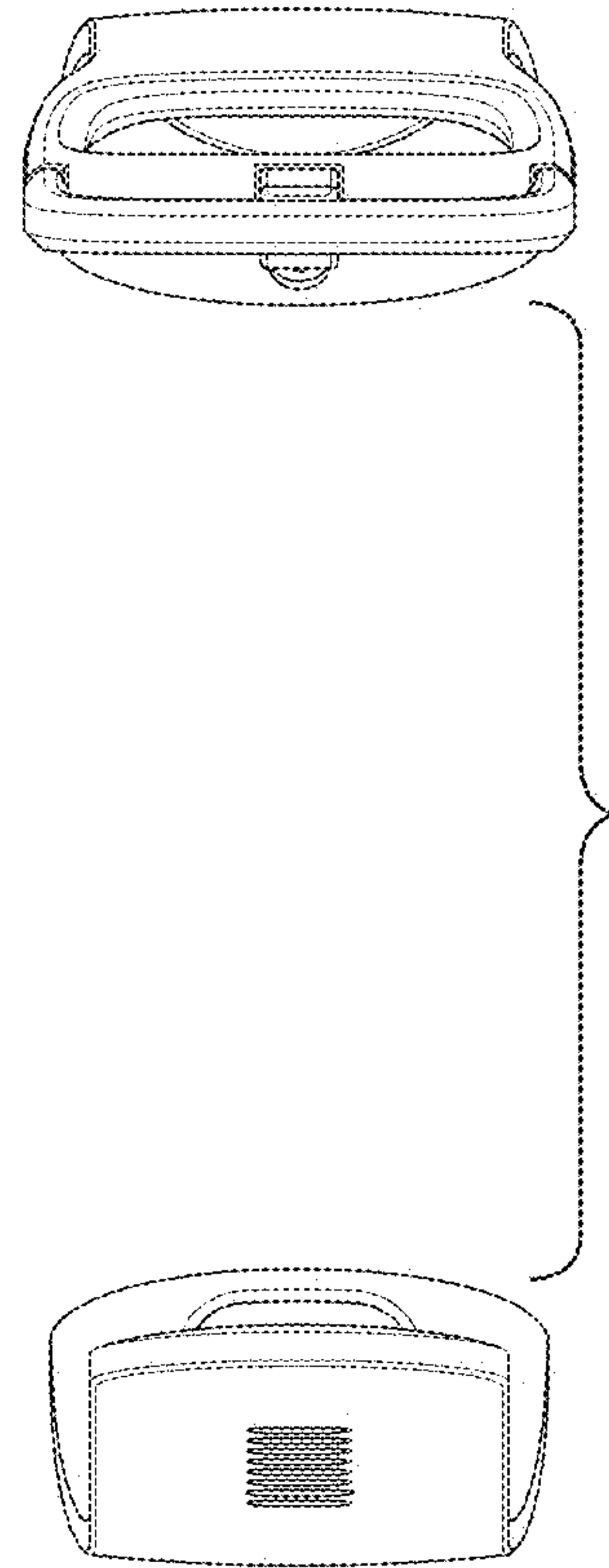


FIG. 24

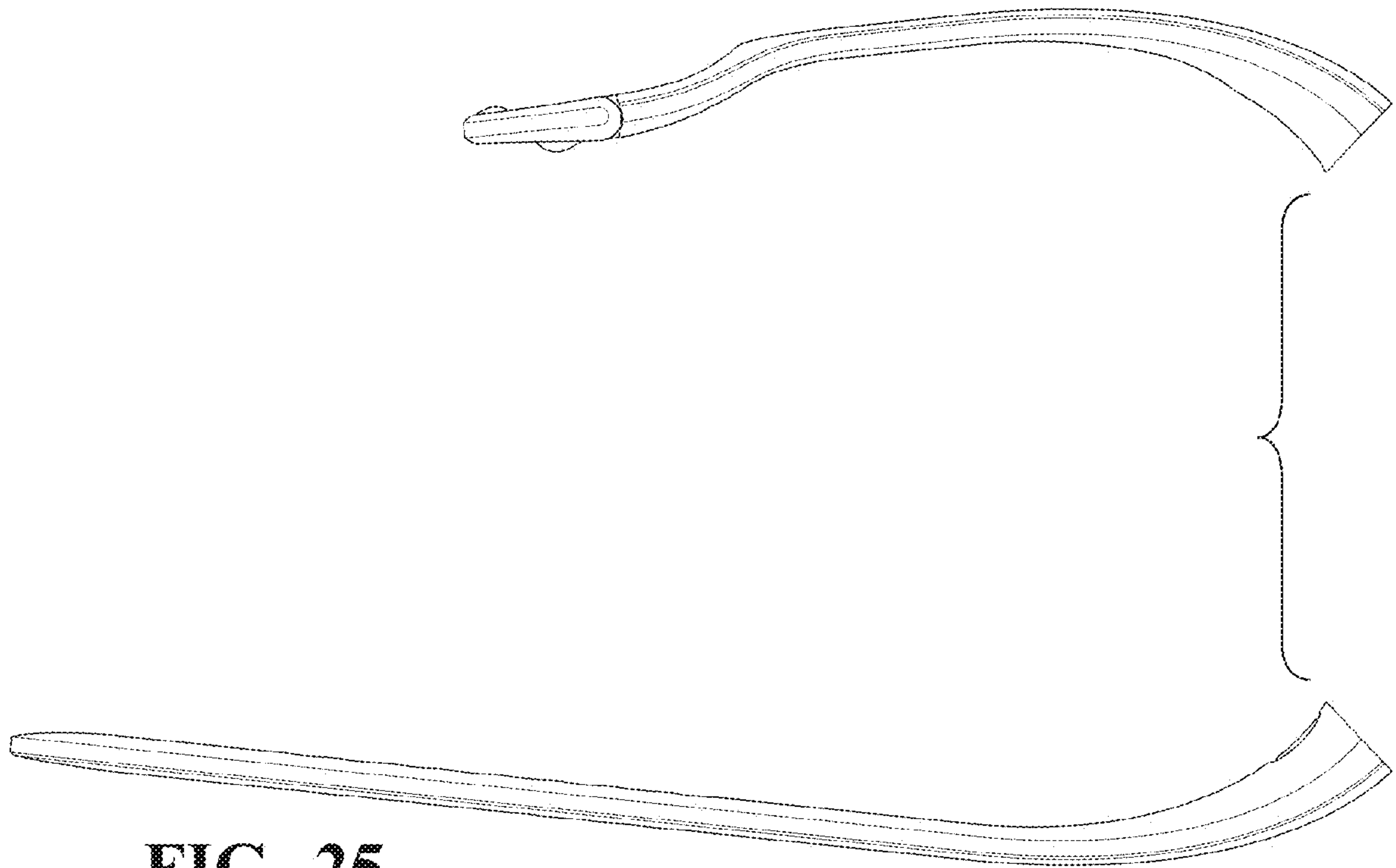


FIG. 25

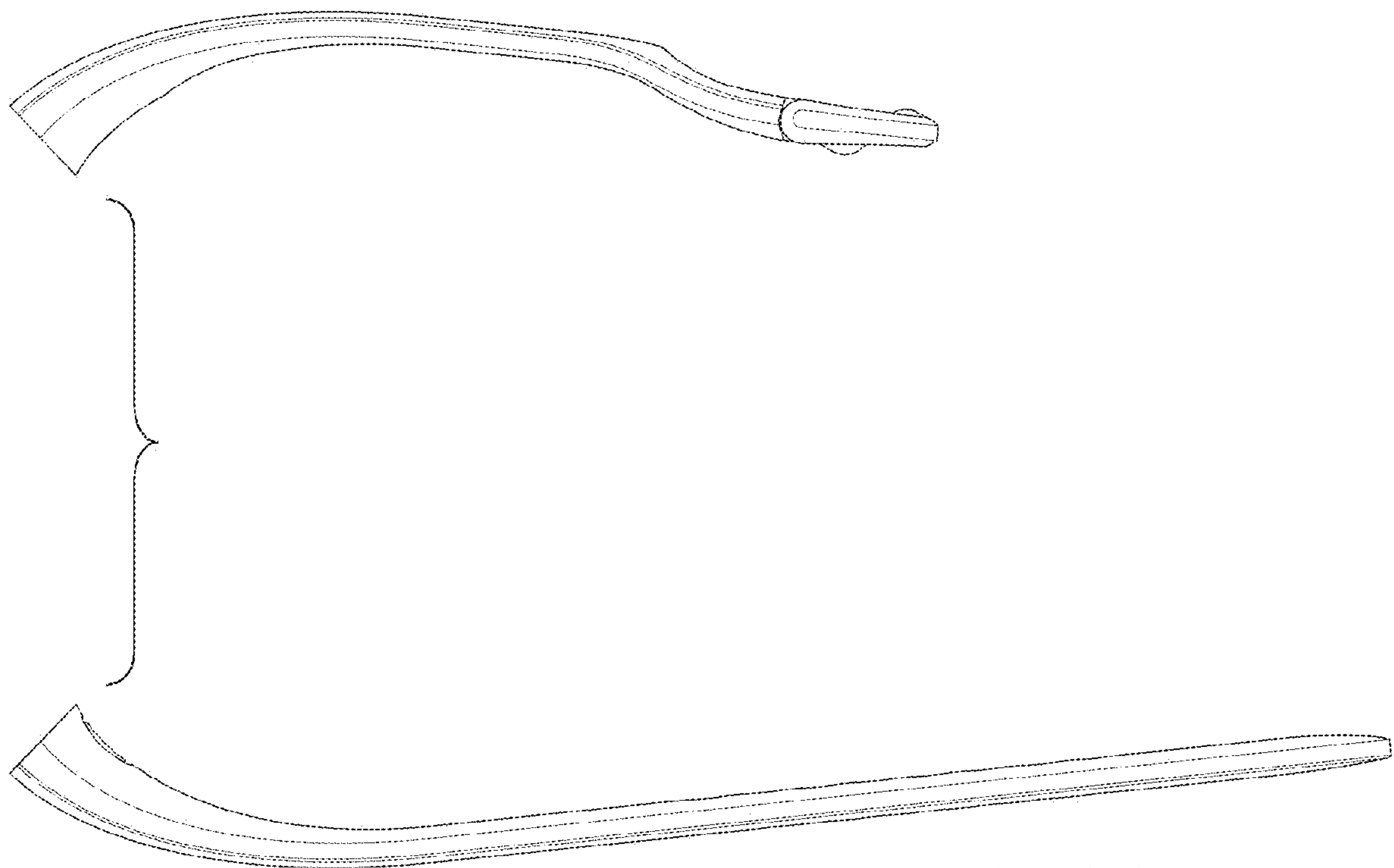


FIG. 26

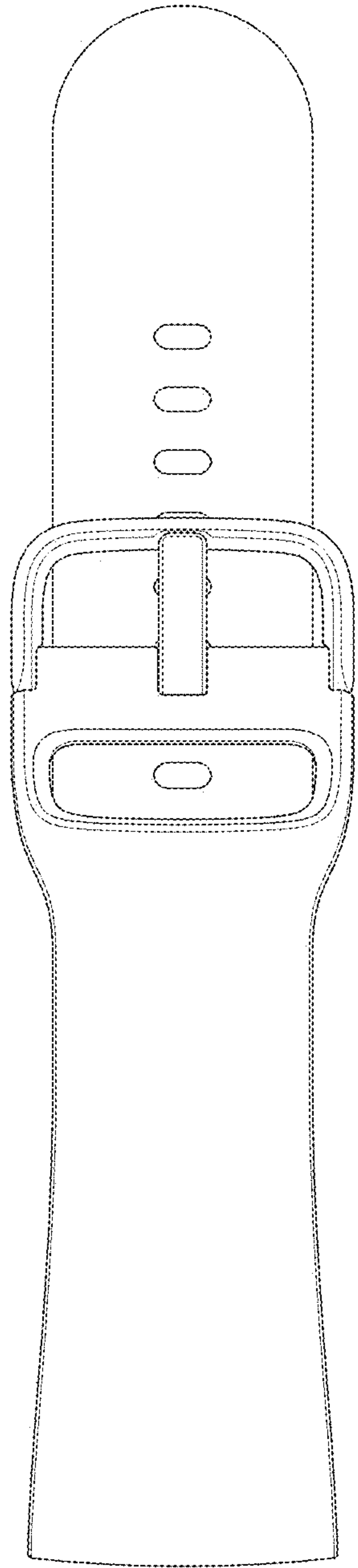


FIG. 27

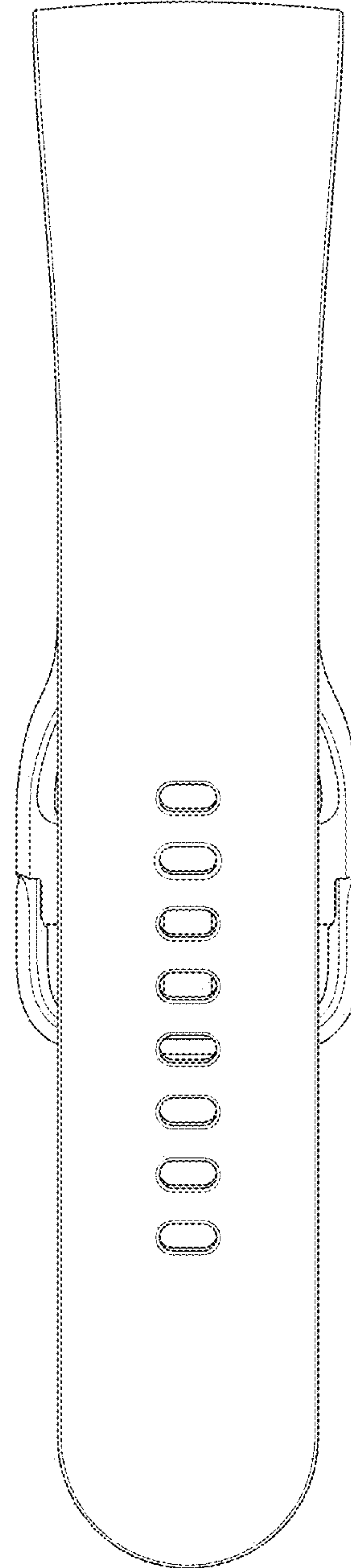


FIG. 28