

US00D963503S

(12) **United States Design Patent** (10) **Patent No.:** **US D963,503 S**  
**Kousik et al.** (45) **Date of Patent:** **\*\* Sep. 13, 2022**

(54) **ADAPTER BRACKET** 5,456,435 A ‡ 10/1995 Sweeney ..... A47B 57/40  
211/90  
(71) Applicant: **Medline Industries, LP**, Northfield, IL 5,507,399 A ‡ 4/1996 Hermanson ..... A47F 5/135  
(US) 211/18  
(72) Inventors: **Arun Kousik**, Northfield, IL (US); D386,637 S ‡ 11/1997 St-Pierre ..... D6/515  
**Kyle Frye**, Lindenhurst, IL (US) D390,143 S ‡ 2/1998 Rosen ..... D10/104.1  
5,896,091 A ‡ 4/1999 Soderlund ..... G08B 17/10  
340/63

(Continued)

(73) Assignee: **Medline Industries, LP**, Northfield, IL (US)

(\*\*) Term: **15 Years**

(21) Appl. No.: **29/757,200**

(22) Filed: **Nov. 4, 2020**

**Related U.S. Application Data**

(63) Continuation of application No. 29/681,901, filed on Feb. 28, 2019, now Pat. No. Des. 904,218.

(51) **LOC (13) Cl.** ..... **10-06**

(52) **U.S. Cl.**  
USPC ..... **D10/121; D24/186**

(58) **Field of Classification Search**  
USPC ..... D14/356, 358, 432, 434, 447, 149, 168,  
D14/217, 224, 224.1, 238.1, 251, 252,  
D14/253; D13/107, 108, 146;  
D10/104.1, 106.1, 121; D24/128, 180,  
D24/186; D8/349, 353  
CPC ..... A47F 5/08; A61B 5/6891; A61B 5/746  
See application file for complete search history.

(56) **References Cited**

**U.S. PATENT DOCUMENTS**

1,752,985 A ‡ 4/1930 James ..... A47F 5/13  
211/10  
4,079,841 A ‡ 3/1978 Castel ..... A47F 5/08  
211/131.1  
4,678,151 A ‡ 7/1987 Radek ..... A47F 5/0846  
211/59

**OTHER PUBLICATIONS**

Medline Wide-Port Alarm Series Components, online, no post date, URL: <https://www.medline.com/product/Wide-Port-Chair-and-Bed-Alarm-Sensor-Pads/Z05-PF183993>, retrieved Dec. 6, 2021.\*

(Continued)

*Primary Examiner* — Rebekah A Caruso

(74) *Attorney, Agent, or Firm* — Fitch, Even, Tabin & Flannery LLP

(57) **CLAIM**

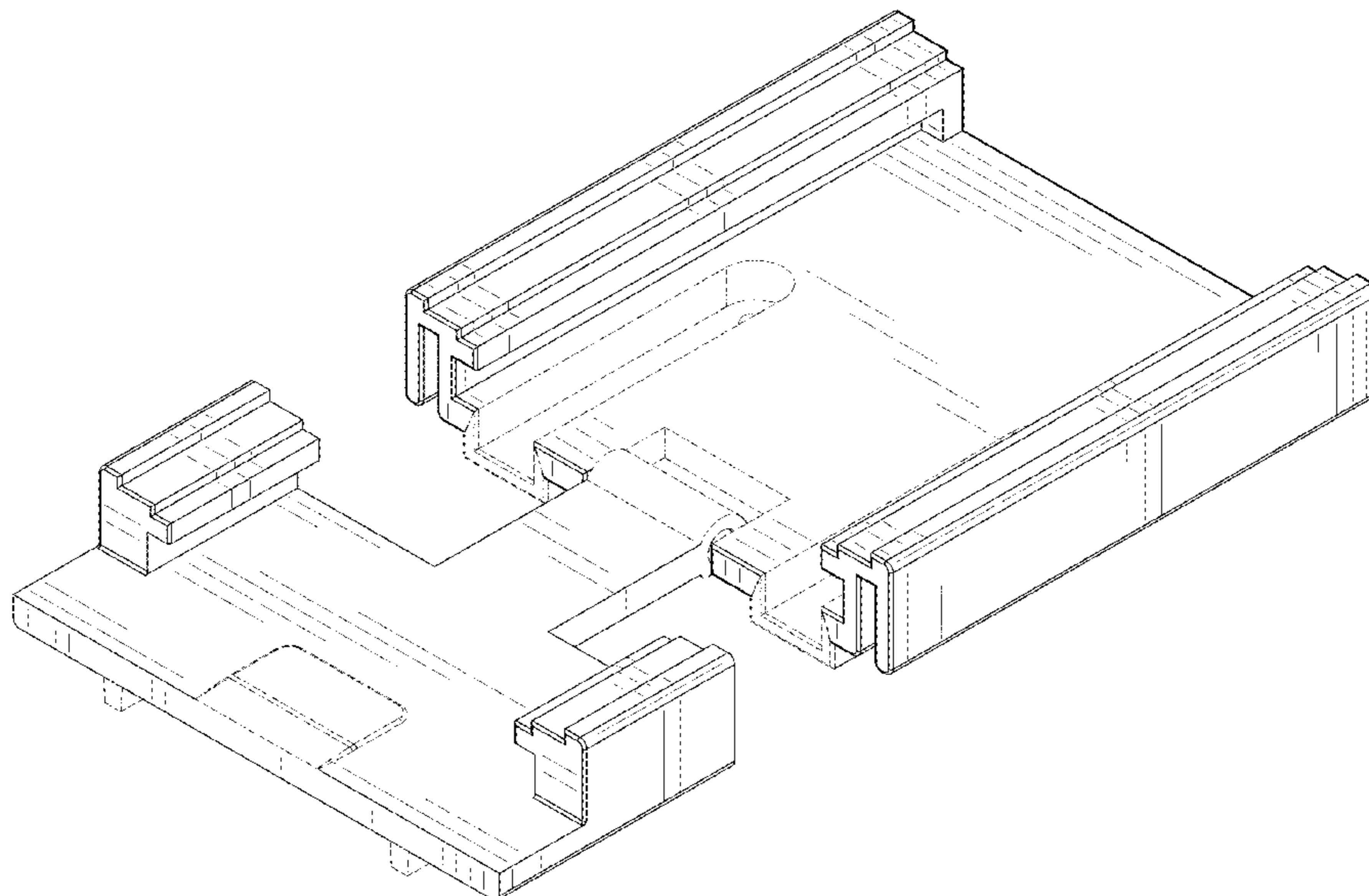
The ornamental design for an adapter bracket, as shown and described.

**DESCRIPTION**

FIG. 1 is a top, front perspective view of an adapter bracket in accordance with our new design;  
FIG. 2 is a bottom, rear perspective view thereof;  
FIG. 3 is a top plan view thereof;  
FIG. 4 is a bottom plan view thereof;  
FIG. 5 is a left side elevation view thereof;  
FIG. 6 is a right side elevation view thereof;  
FIG. 7 is a front elevation view thereof; and,  
FIG. 8 is a rear elevation view thereof.

The broken lines represent portions of the adapter bracket that form no part of the claim. The dash-dot-dash broken lines represent the bounds of the claim and form no part thereof.

**1 Claim, 6 Drawing Sheets**



(56)

References Cited

U.S. PATENT DOCUMENTS

6,010,017 A ‡ 1/2000 Michaelis ..... A47F 5/04  
211/107  
6,105,794 A ‡ 8/2000 Bauer ..... A47B 57/26  
108/10  
6,481,678 B1 ‡ 11/2002 Chong ..... H02G 3/288  
211/19  
D547,863 S ‡ 7/2007 Heinsch ..... D24/128  
D548,840 S ‡ 8/2007 Fernandez San Pablo .. D24/180  
7,417,539 B2 ‡ 8/2008 Mathews ..... G08B 21/02  
340/53  
D585,897 S ‡ 2/2009 Carnevali ..... D14/434  
7,849,545 B2 ‡ 12/2010 Flocard ..... A61G 7/05776  
5/713  
D675,212 S ‡ 1/2013 Chen ..... D14/447  
D685,804 S ‡ 7/2013 Richter ..... D14/447  
8,537,008 B2 ‡ 9/2013 Tallent ..... A61B 5/7275  
340/54  
8,823,529 B2 ‡ 9/2014 Reed, Jr. .... G08B 21/22  
340/57  
8,847,756 B2 ‡ 9/2014 Tallent ..... A61B 5/7275  
340/54  
8,955,680 B1 ‡ 2/2015 Wu Lee ..... B65H 75/4473  
206/42  
9,098,993 B2 ‡ 8/2015 Reed, Jr. .... A61B 5/6889  
D742,528 S ‡ 11/2015 Huffman ..... D24/186

D742,529 S ‡ 11/2015 Huffman ..... D24/186  
D771,635 S ‡ 11/2016 Kuo ..... D14/457  
9,541,231 B1 ‡ 1/2017 Owens ..... F21V 19/0015  
D782,491 S ‡ 3/2017 Cutler ..... D14/447  
D784,999 S ‡ 4/2017 Cutler ..... D14/447  
D785,638 S ‡ 5/2017 Hsu ..... D14/447  
D789,886 S ‡ 6/2017 Socha-Leialoha ..... D13/108  
D865,771 S ‡ 11/2019 Haller ..... D14/451  
10,559,186 B2 ‡ 2/2020 Allen, Sr. .... G01K 1/024  
D904,218 S \* 12/2020 Kousik ..... D10/121  
2002/0017988 A1 ‡ 2/2002 Irwin ..... G01K 1/024  
340/53  
2018/0263119 A1 ‡ 9/2018 Armiento ..... H01R 43/00  
2020/0275788 A1 \* 9/2020 Kousik ..... A61B 5/746

OTHER PUBLICATIONS

Medline Wide-Port Alarm Series Components, online, no post date,  
URL: <http://punchout.medline.com/product/Wide-Port-Alarm-Series-Components/Alarms/Z05-PF183993?question=&index=P9&indexCount=9>, retrieved Jul. 29, 2020. ‡

Medline Wide-Port Alarm Series Components, online, no post date,  
URL: <http://punchout.medline.com/product/Wide-Port-Alarm-Series-Components/Alarms/Z05-P F 183993 ?question =&index= P9&indexCount=9>, retrieved Jul. 29, 2020.

\* cited by examiner

‡ imported from a related application

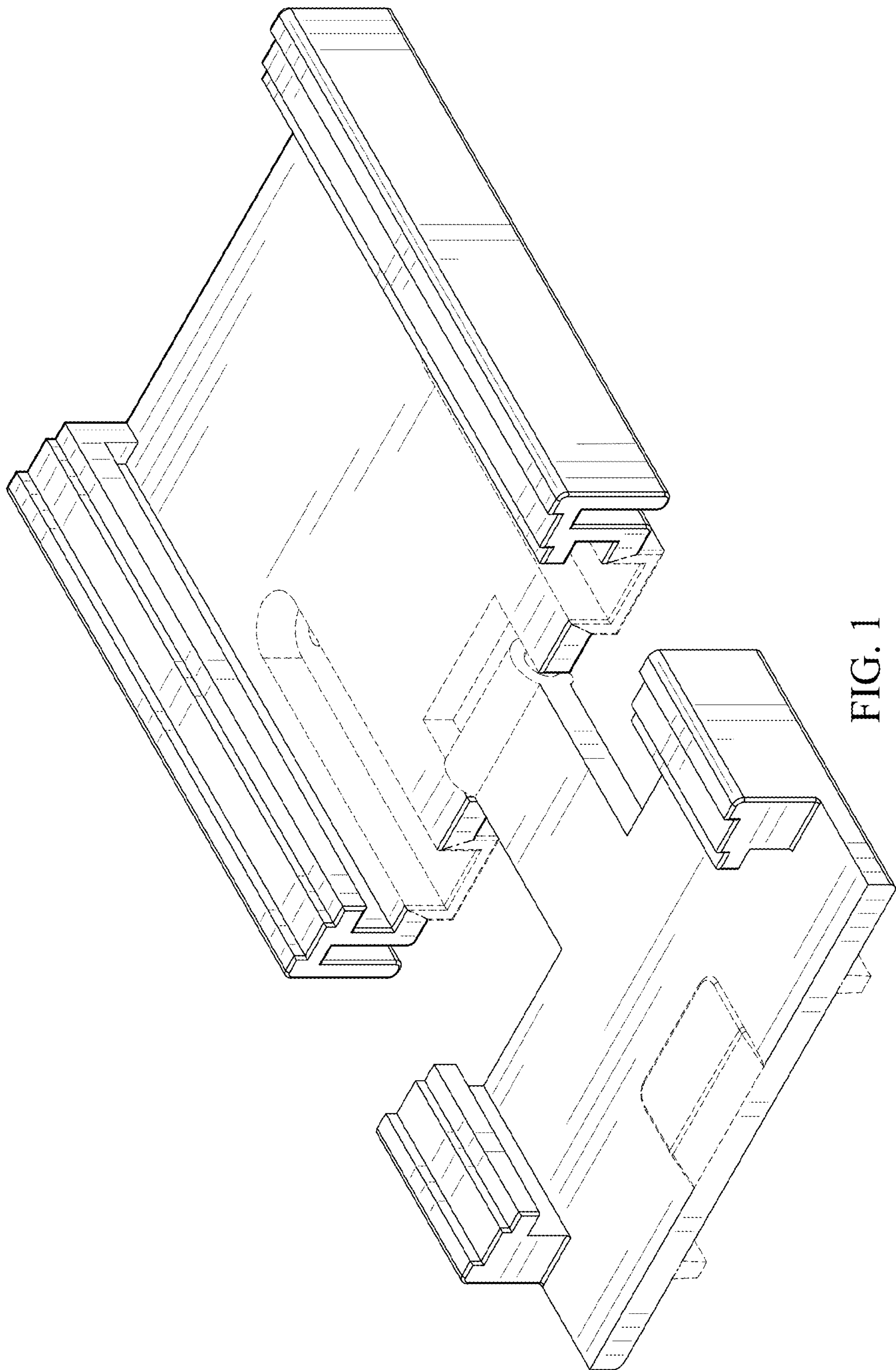


FIG. 1



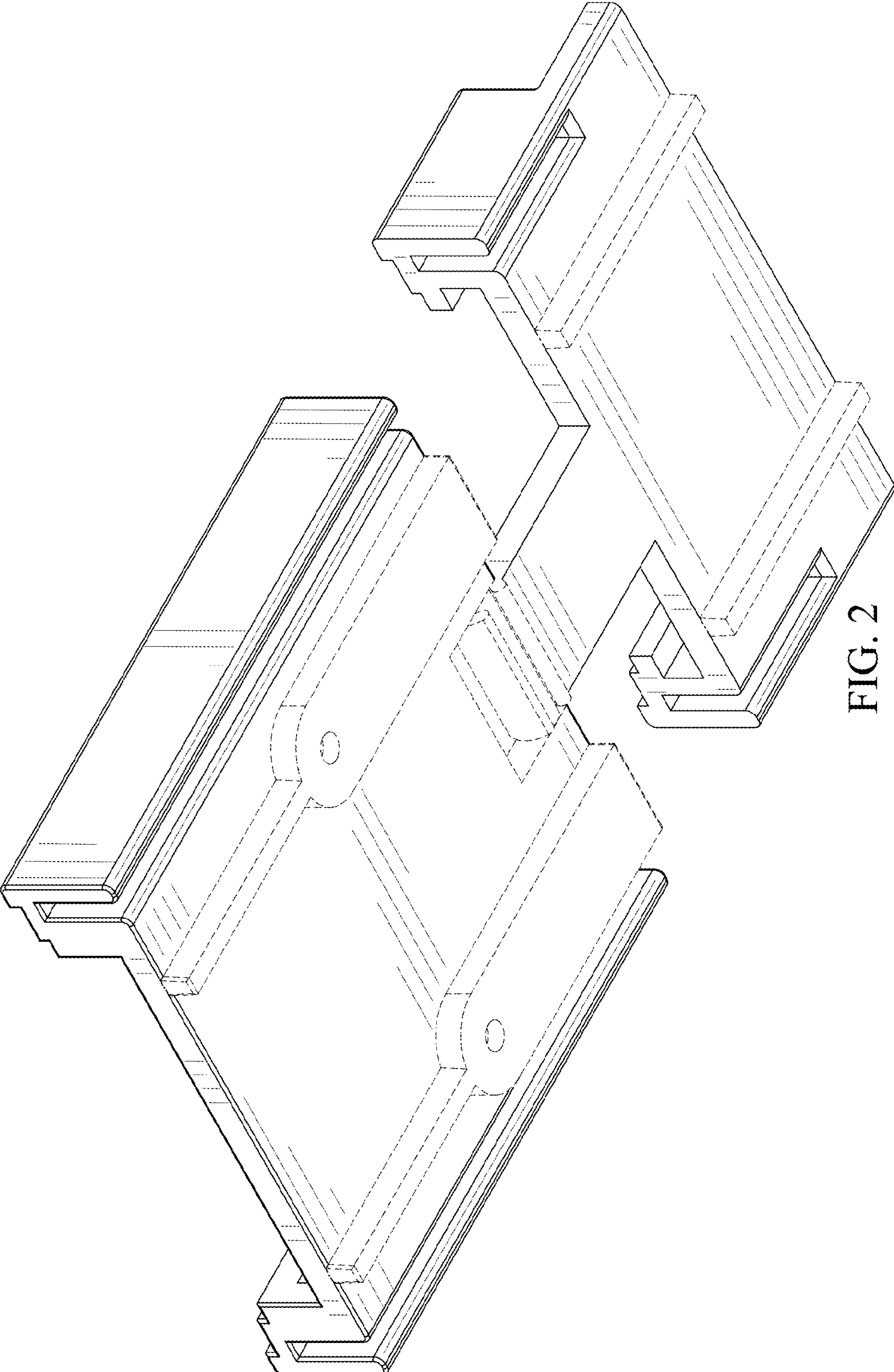


FIG. 2

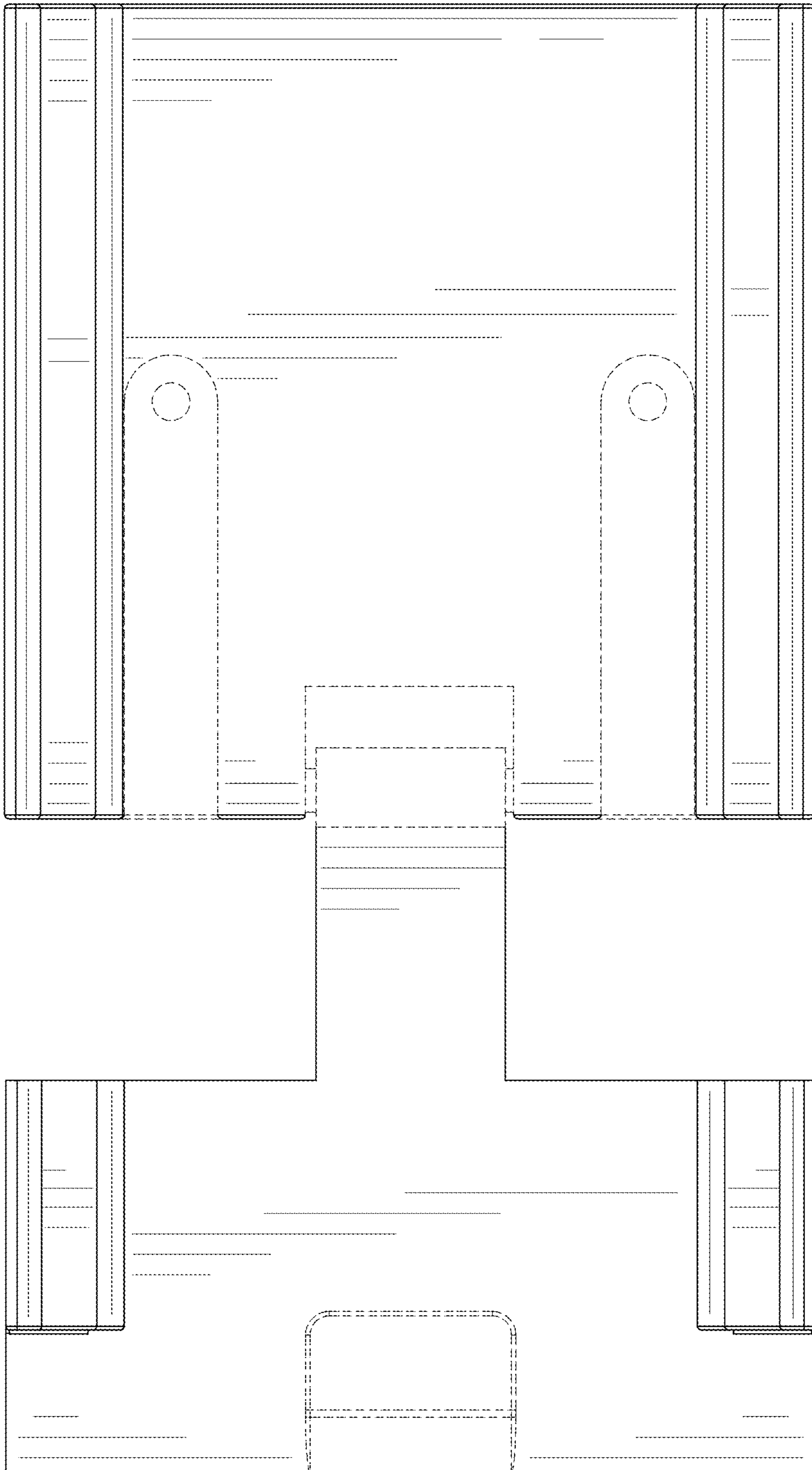


FIG. 3

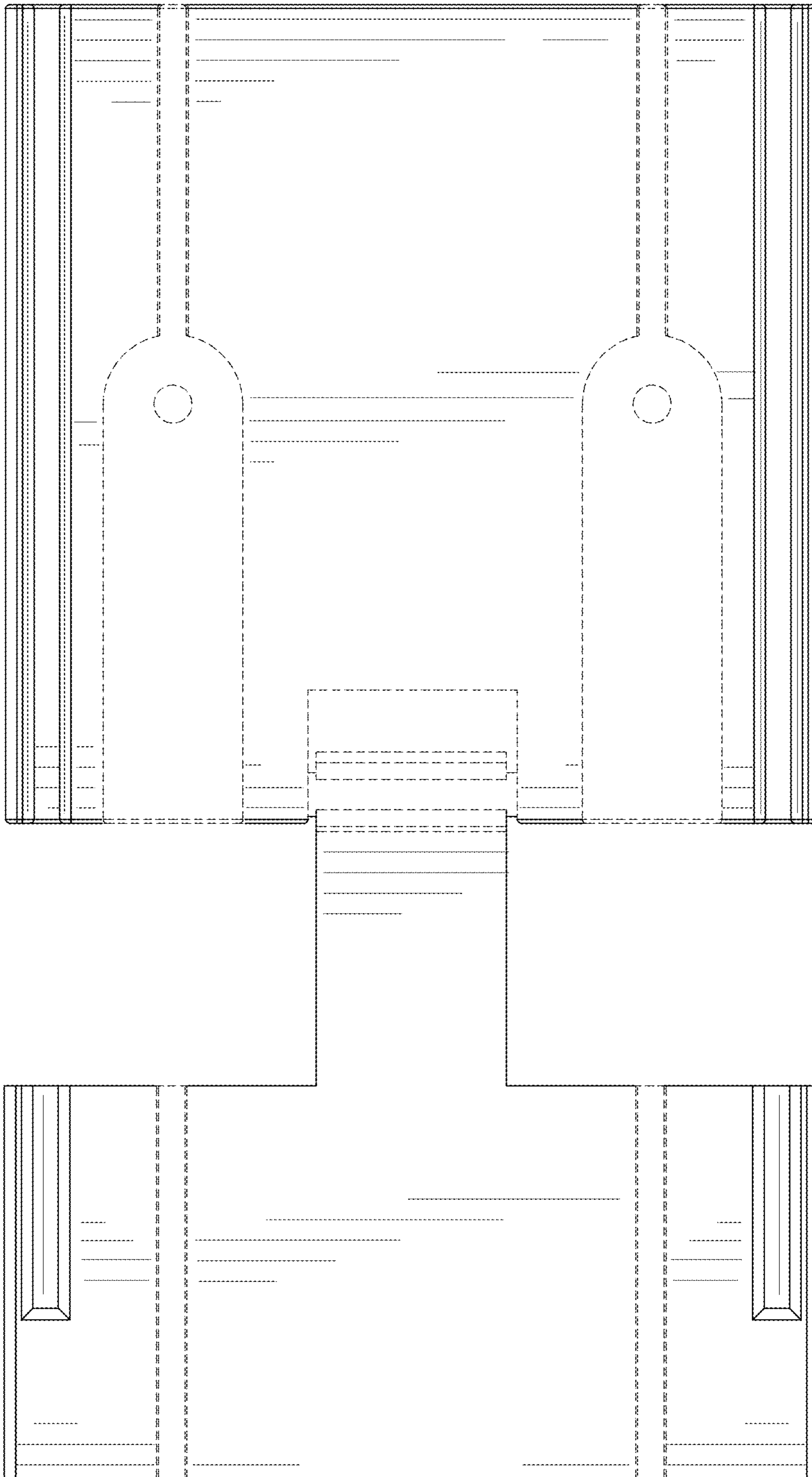


FIG. 4

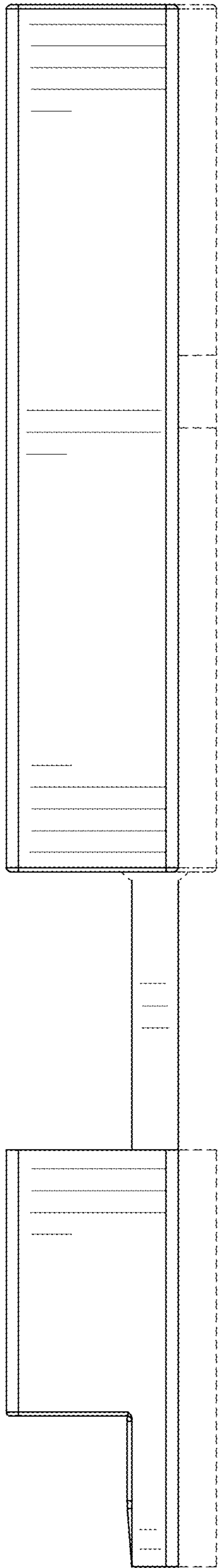


FIG. 5

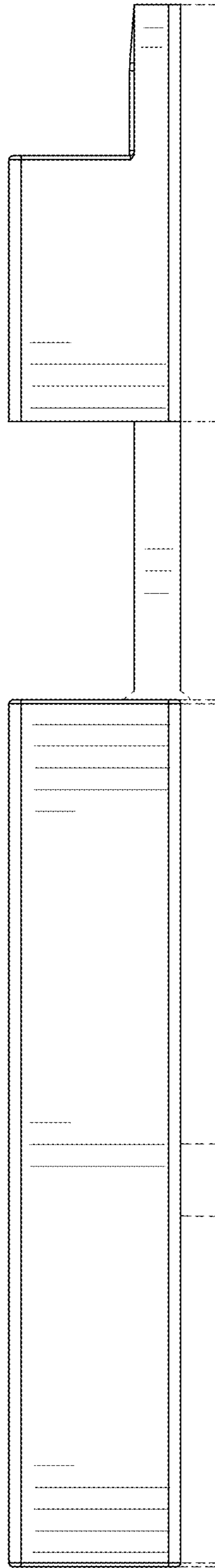


FIG. 6

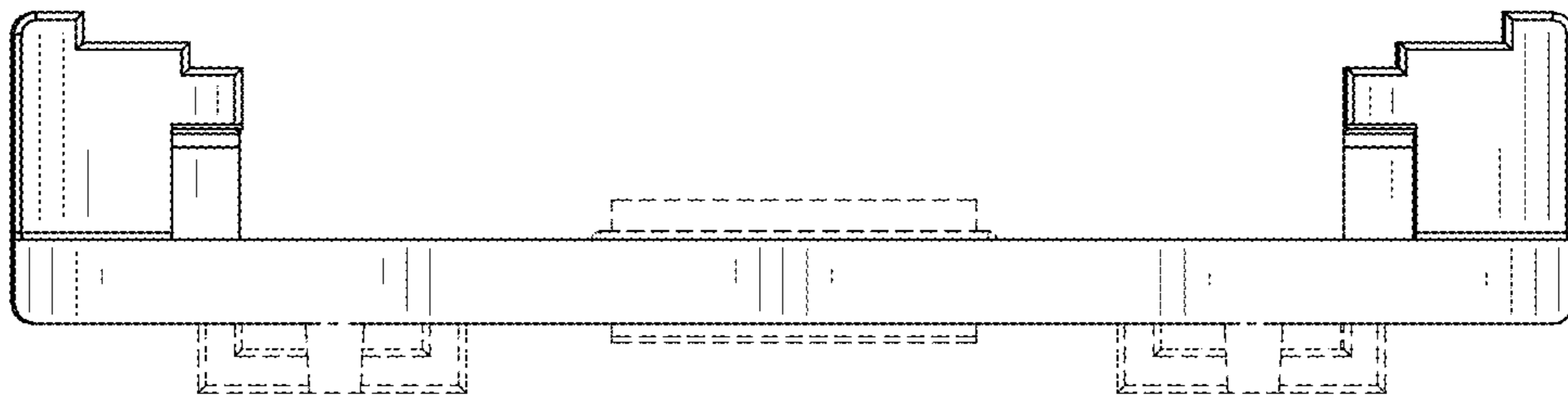


FIG. 7

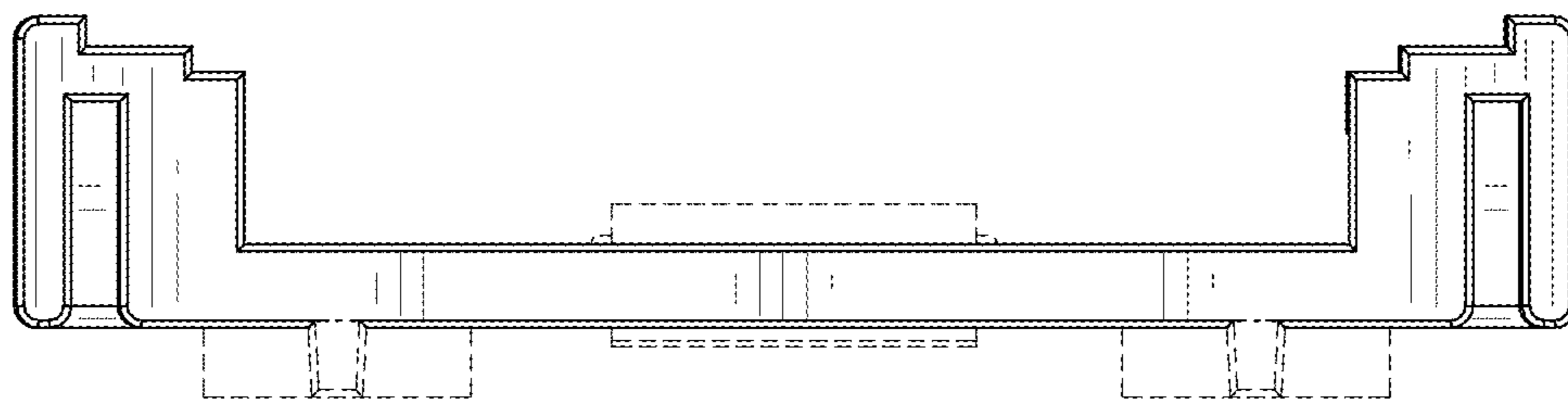


FIG. 8