



US00D963498S

(12) **United States Design Patent** (10) **Patent No.:** **US D963,498 S**
Gao (45) **Date of Patent:** **** Sep. 13, 2022**

(54) **AUTOMOBILE FAULT DETECTOR**

(56) **References Cited**

(71) Applicant: **AUTEL INTELLIGENT TECHNOLOGY CORP., LTD.,**
Guangdong (CN)

(72) Inventor: **Ming Gao,** Guangdong (CN)

(73) Assignee: **AUTEL INTELLIGENT TECHNOLOGY CORP., LTD.,**
Shenzhen (CN)

(**) Term: **15 Years**

(21) Appl. No.: **29/769,124**

(22) Filed: **Feb. 3, 2021**

(30) **Foreign Application Priority Data**

Aug. 10, 2020 (CN) 202030451324.3

(51) **LOC (13) Cl.** **10-04**

(52) **U.S. Cl.**
USPC **D10/78**

(58) **Field of Classification Search**
USPC D10/75, 76, 77, 78; D14/357, 420
CPC .. H01R 31/005; H01R 31/06; H01R 2201/20;
H01R 2201/26; B60R 16/023; G05B
15/02; G07C 5/008; G07C 5/0808; G07C
5/0825; G07C 2205/02; G07C 5/00;
G07C 5/0816; G07C 3/00; G01M 17/00;
G01M 99/00; G01M 17/007; G01M
15/05; G01R 31/007; G01R 31/08; G01R
31/16; G01R 31/31914; G01R 31/31915;
G01R 31/31907; G01R 31/319; G01R
31/28; F02P 17/08

See application file for complete search history.

U.S. PATENT DOCUMENTS

10,965,074	B2 *	3/2021	Thürmer	G05B 15/02
D942,289	S *	2/2022	Shen	D10/78
D951,948	S *	5/2022	Shen	D10/75
D951,949	S *	5/2022	Shen	D10/75
D951,950	S *	5/2022	Shen	D10/75
D951,951	S *	5/2022	Shen	G05B 15/02
				D10/75
2007/0073458	A1 *	3/2007	Webster	G07C 5/0808
				701/33.9

FOREIGN PATENT DOCUMENTS

CN	210721142	U *	6/2020
CN	210834185	U *	6/2020
CN	211626939	U *	10/2020
CN	214586548	U *	11/2021

* cited by examiner

Primary Examiner — Antoine Duval Davis

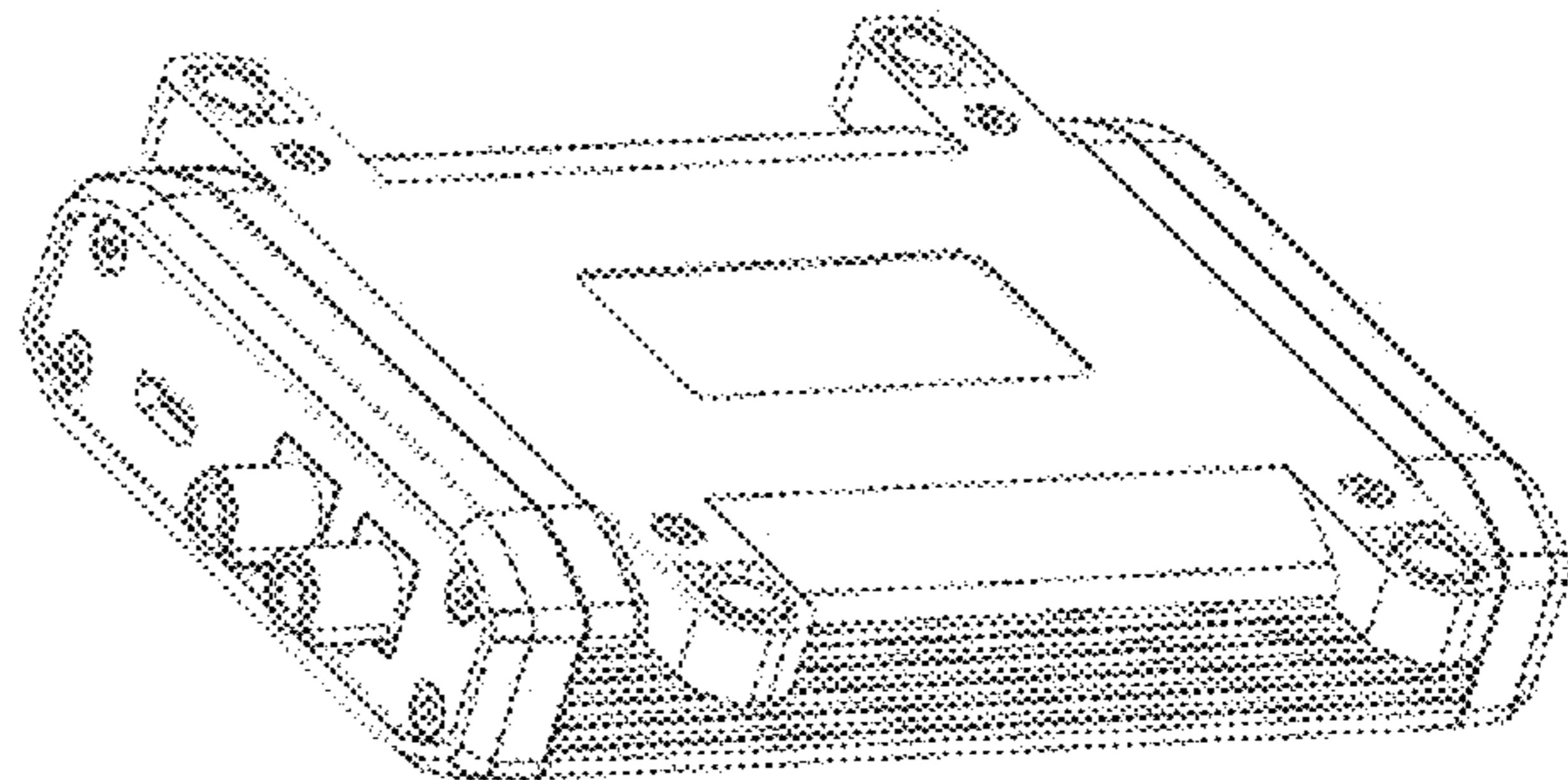
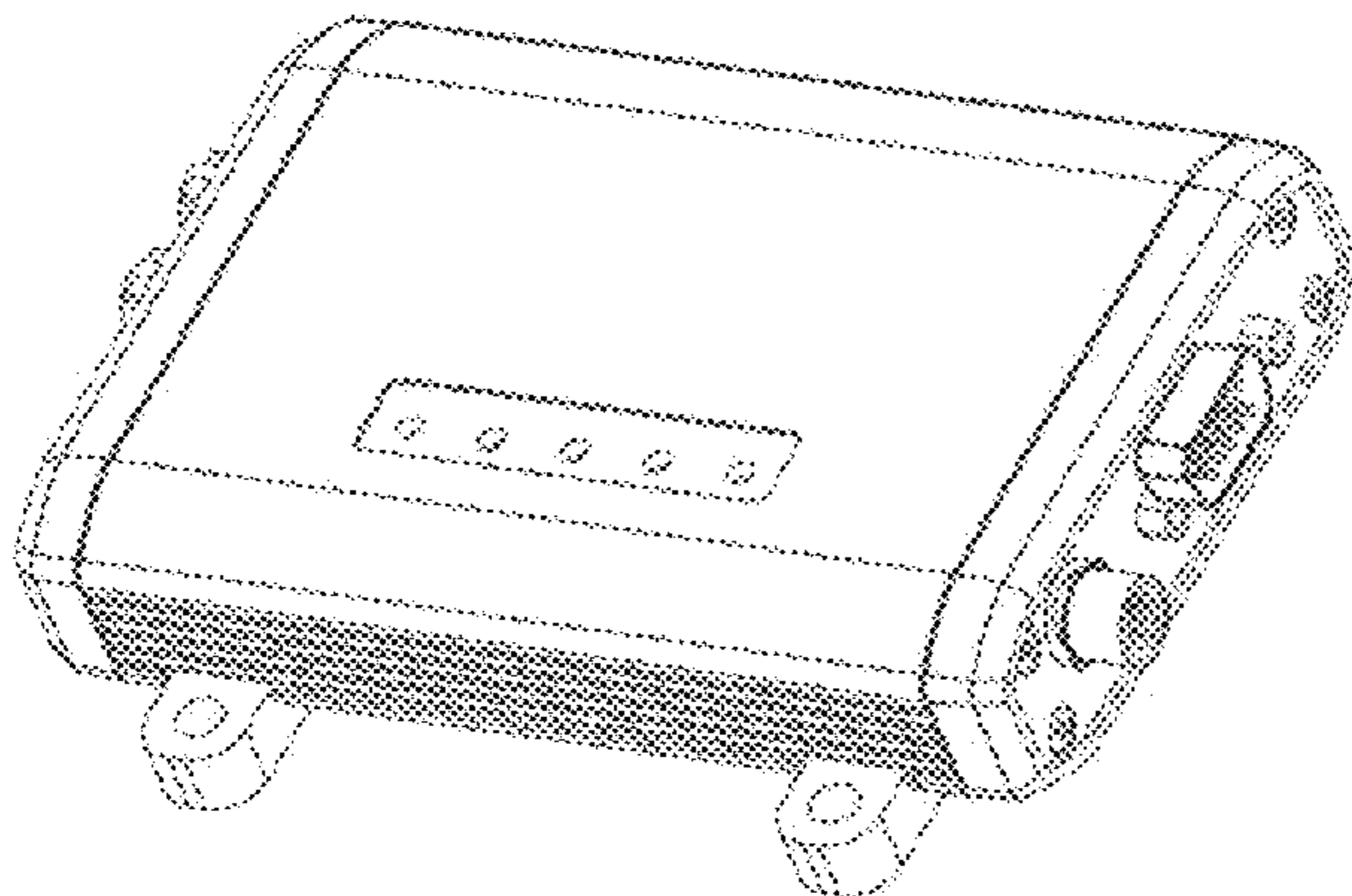
(57) **CLAIM**

I claim the ornamental design for an automobile fault detector, as shown and described.

DESCRIPTION

FIG. 1 is a front elevational view of an automobile fault detector showing our new design;
FIG. 2 is a back elevational view thereof;
FIG. 3 is a left side elevational view thereof;
FIG. 4 is a right side elevational view thereof;
FIG. 5 is a top plan view thereof;
FIG. 6 is a bottom plan view thereof;
FIG. 7 is a first perspective view thereof; and,
FIG. 8 is a second perspective view thereof.

1 Claim, 4 Drawing Sheets



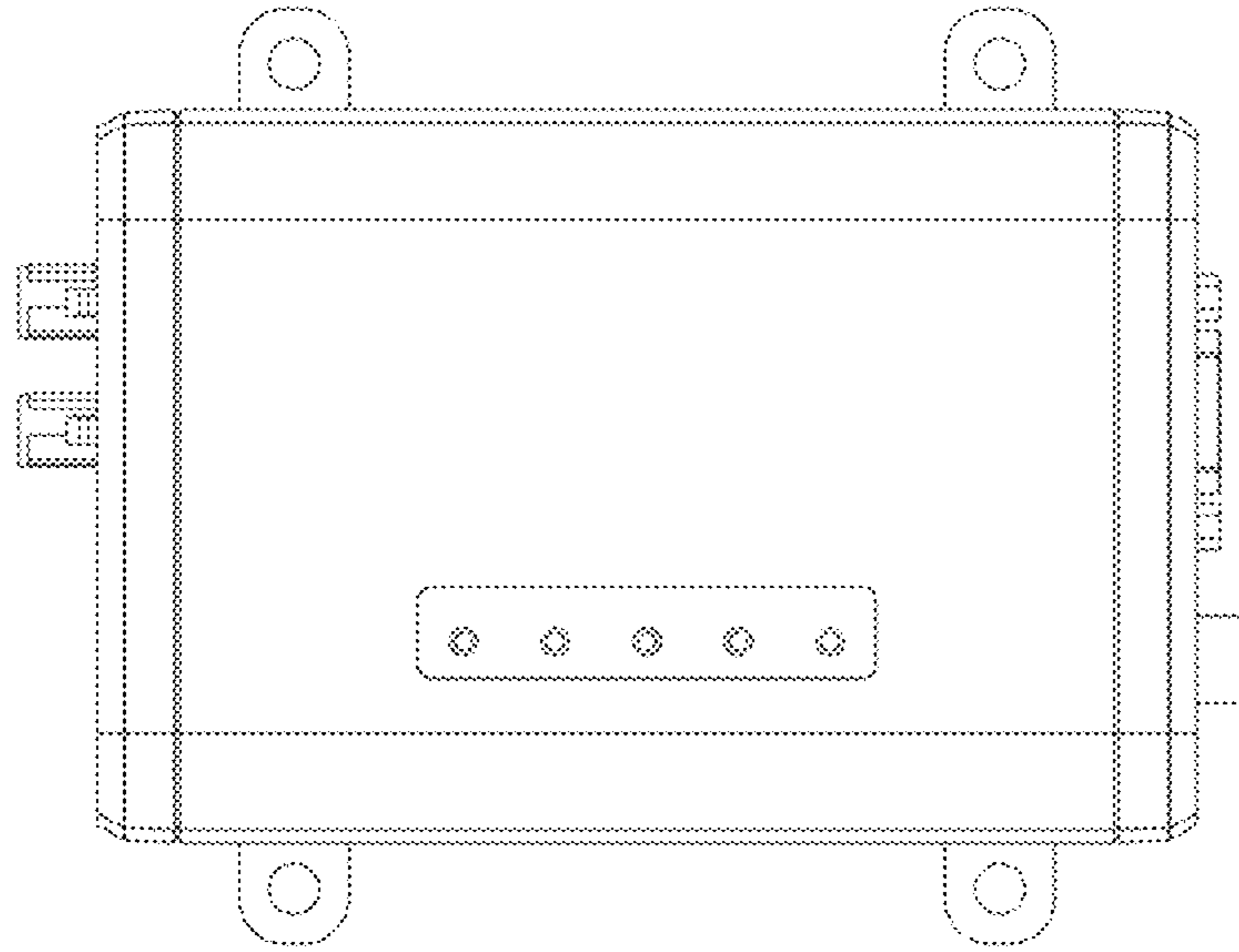


FIG.1

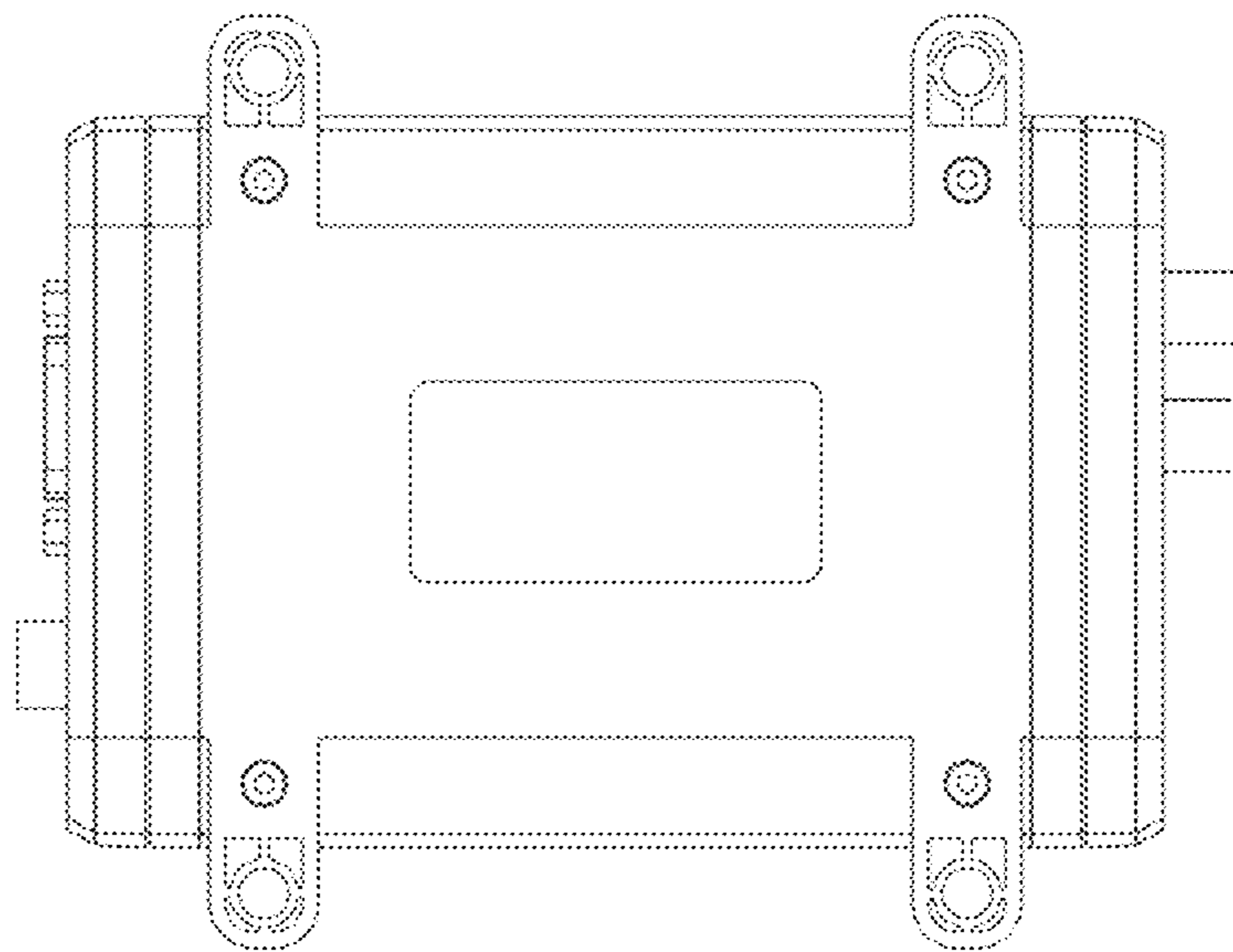


FIG.2

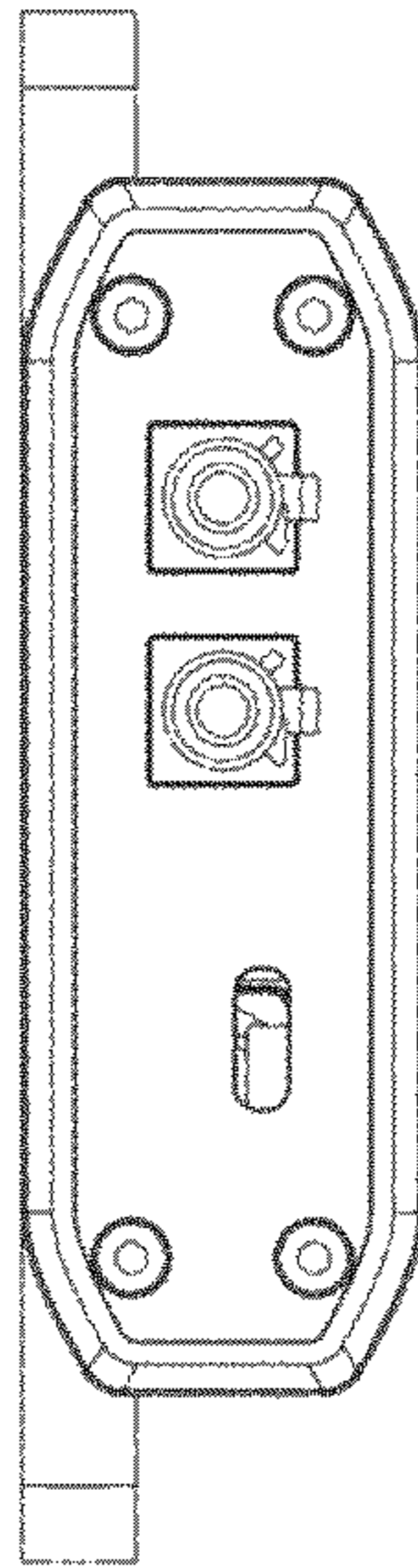


FIG.3

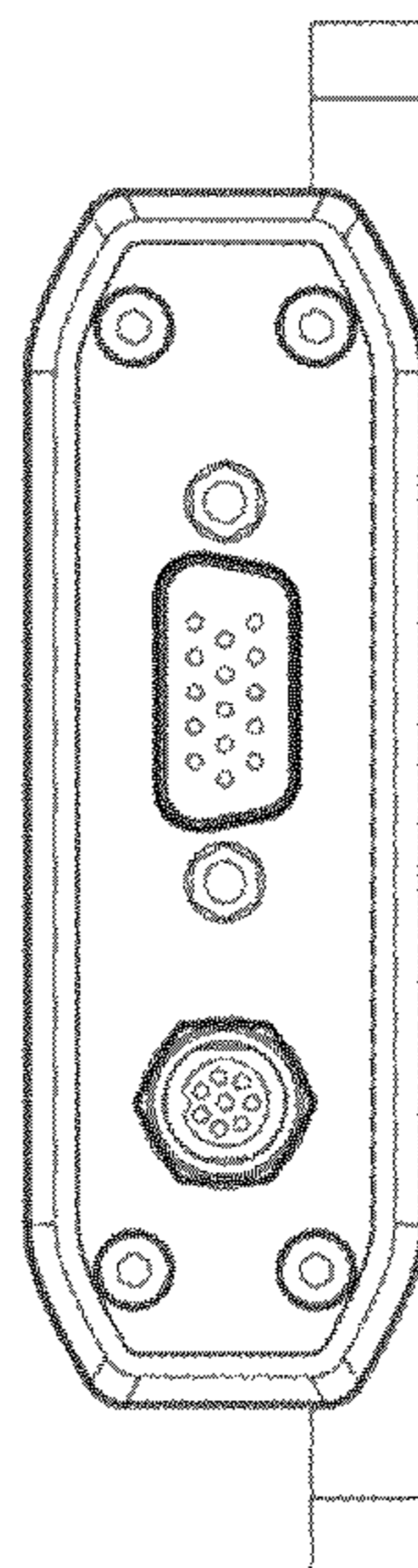


FIG.4

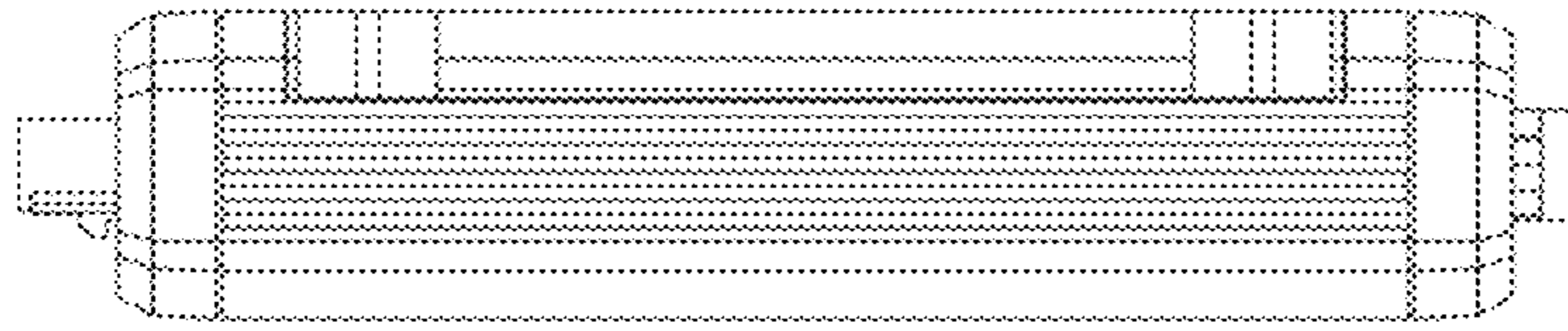


FIG.5

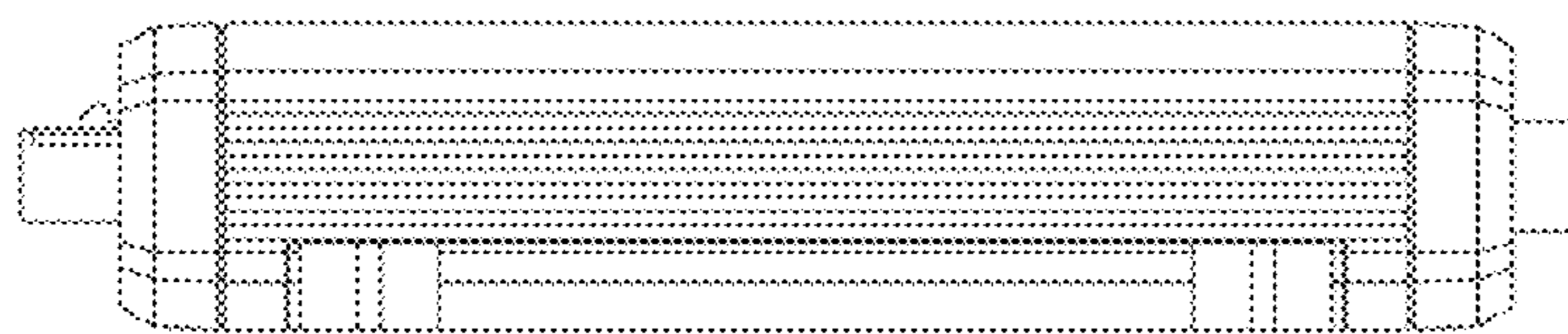


FIG.6

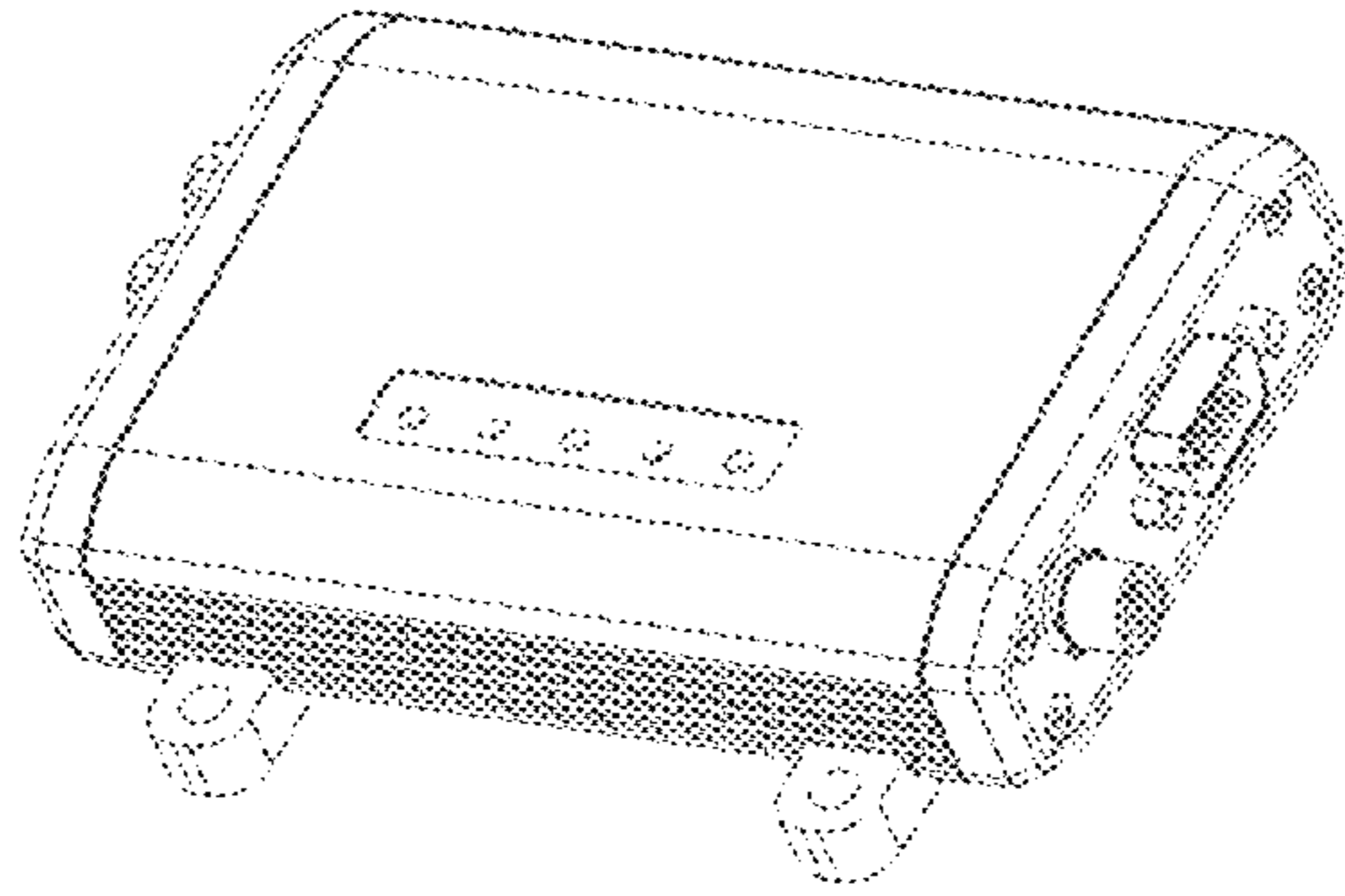


FIG. 7

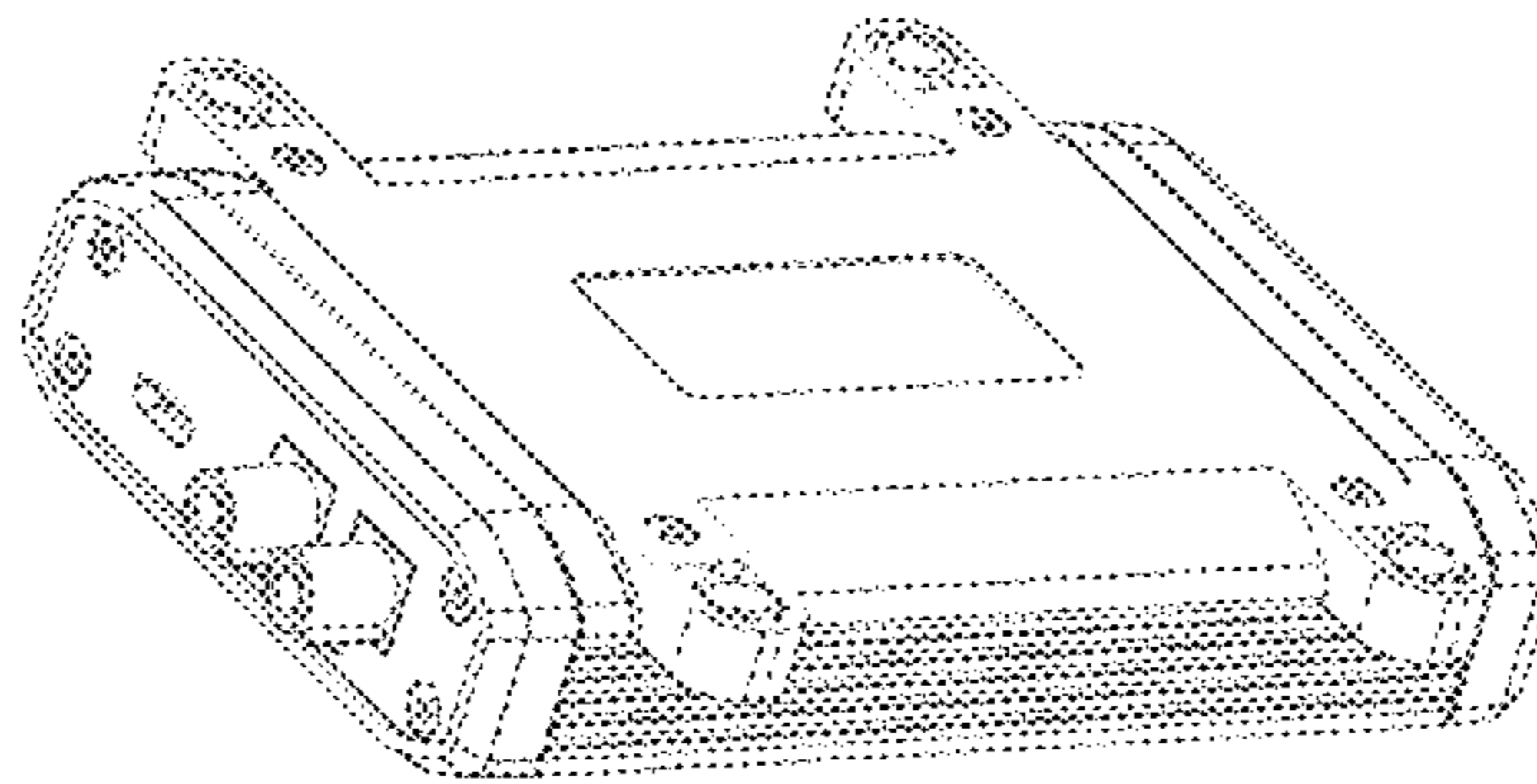


FIG. 8