



US00D963494S

(12) **United States Design Patent** (10) **Patent No.:** **US D963,494 S**  
**Zemel et al.** (45) **Date of Patent:** **\*\* Sep. 13, 2022**

(54) **DIGITAL THERMOMETER**  
(71) Applicant: **Mr. Bar-B-Q Products LLC**, Melville, NY (US)  
(72) Inventors: **Marc Zemel**, Melville, NY (US); **Joanne Rudis**, Melville, NY (US)  
(73) Assignee: **Mr. Bar-B-Q Products LLC**, Hauppauge, NY (US)

D853,254 S \* 7/2019 Zemel ..... D10/57  
D927,997 S \* 8/2021 Yu ..... D10/57  
2016/0026768 A1\* 1/2016 Singh ..... G01K 1/20  
705/3  
2017/0083064 A1\* 3/2017 Mittal ..... G05B 15/02

(\*\*) Term: **15 Years**  
(21) Appl. No.: **29/770,438**

FOREIGN PATENT DOCUMENTS

CN 215865325 U \* 2/2022

\* cited by examiner

*Primary Examiner* — Antoine Duval Davis  
(74) *Attorney, Agent, or Firm* — Carter, Deluca & Farrell LLP

(22) Filed: **Feb. 12, 2021**  
(51) **LOC (13) Cl.** ..... **10-04**  
(52) **U.S. Cl.**  
USPC ..... **D10/57**  
(58) **Field of Classification Search**  
USPC ..... D10/57  
CPC ..... G01K 1/02; G01K 1/022; G01K 1/024;  
G01K 1/08; G01K 1/083; G01K 1/086;  
G01K 3/00; G01K 3/02; G01K 3/08;  
G01K 2003/145; G01K 13/002; G01K  
13/004; G01K 2219/00; G01K 5/00;  
G01K 5/22; G01K 221/00; G01K 1/18  
See application file for complete search history.

(57) **CLAIM**

The ornamental design for a digital thermometer, as shown and described.

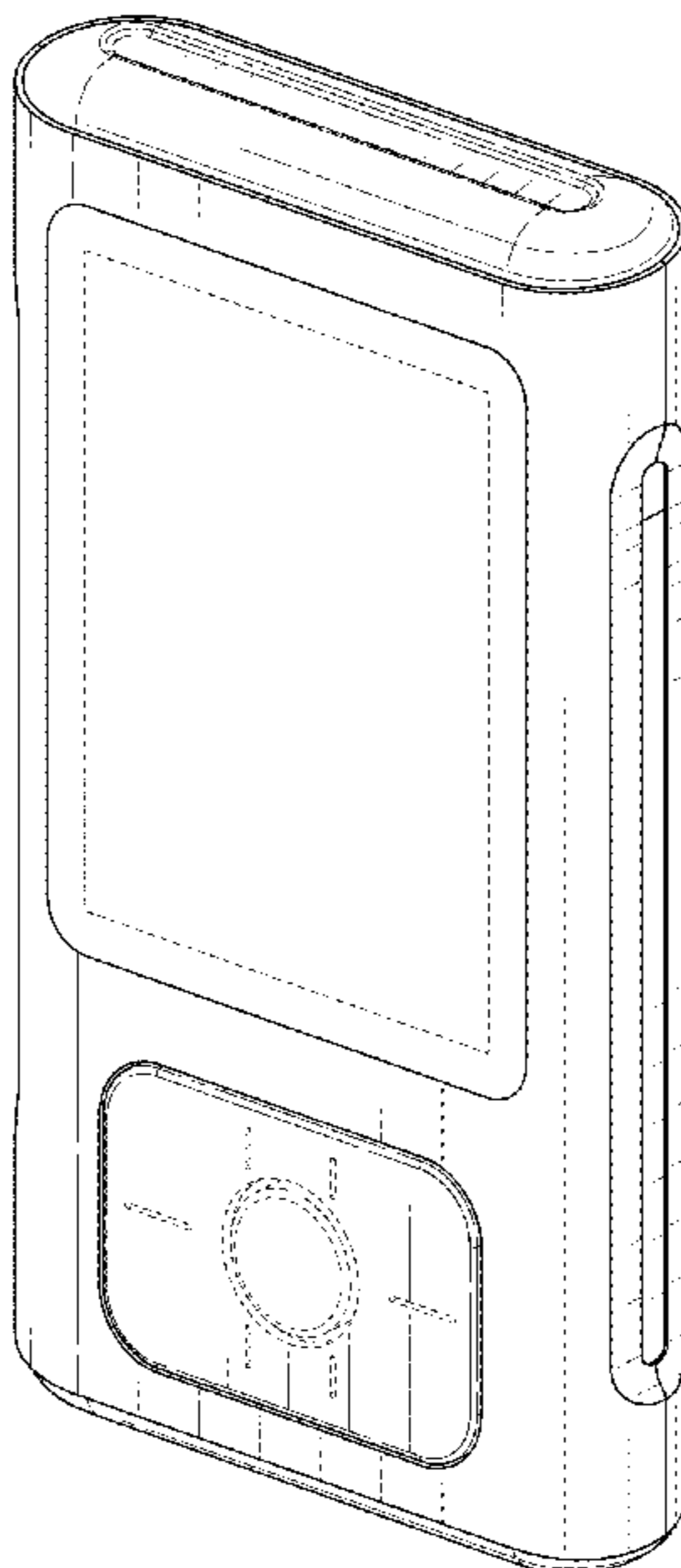
(56) **References Cited**  
U.S. PATENT DOCUMENTS

D617,216 S 6/2010 Guo  
D637,921 S 5/2011 Houlihan  
D670,579 S \* 11/2012 Cooney ..... D10/57  
D693,247 S 11/2013 Juhng  
D805,927 S 12/2017 Verbrugge  
D827,457 S 9/2018 Liu  
D837,669 S 1/2019 Yu  
D845,154 S \* 4/2019 Yu ..... D10/78  
D847,006 S \* 4/2019 Hu ..... D10/57

**DESCRIPTION**

FIG. 1 is a perspective view of a digital thermometer in accordance with the present design;  
FIG. 2 is a front elevational view thereof;  
FIG. 3 is a rear elevational view thereof;  
FIG. 4 is a left side elevational view thereof;  
FIG. 5 is a right side elevational view thereof;  
FIG. 6 is a top plan view thereof;  
FIG. 7 is a bottom plan view thereof;  
FIG. 8 is a front right perspective view of the digital thermometer of FIG. 1 in its environment thereof; and,  
FIG. 9 is a front left perspective view of the digital thermometer of FIG. 1 in its environment thereof.  
The broken lines shown in the drawings illustrate portions of the digital thermometer that form no part of the claimed design.

**1 Claim, 7 Drawing Sheets**



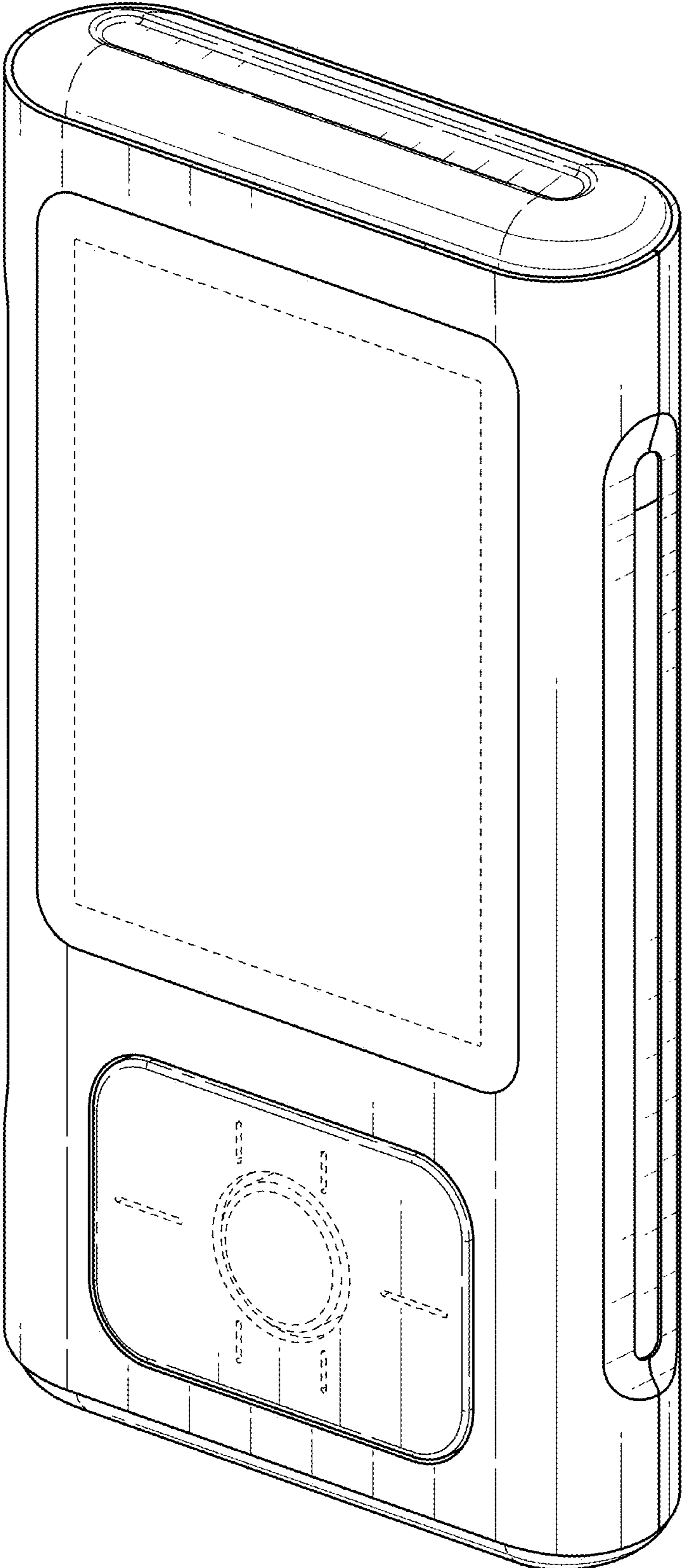


FIG. 1

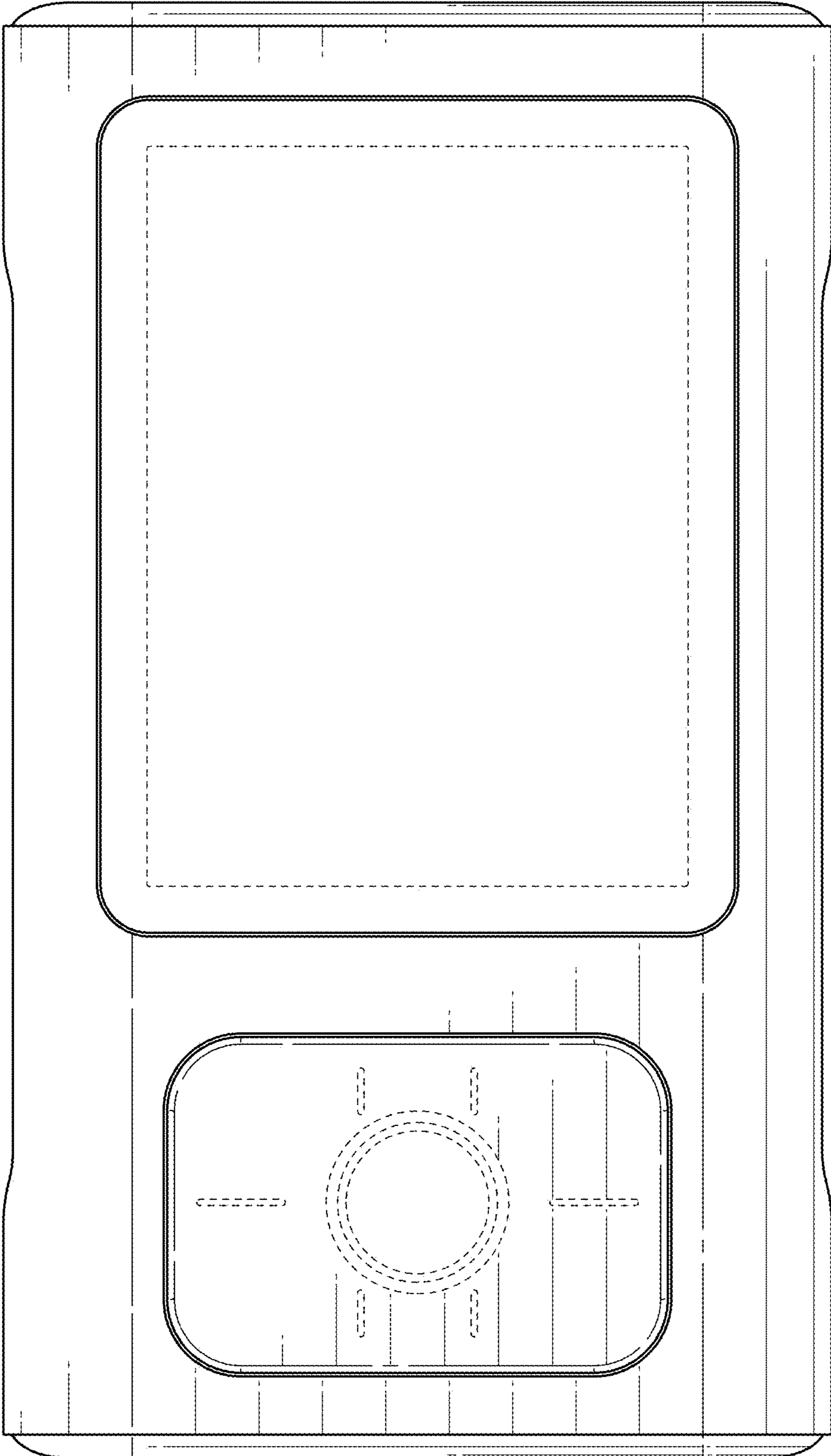


FIG. 2

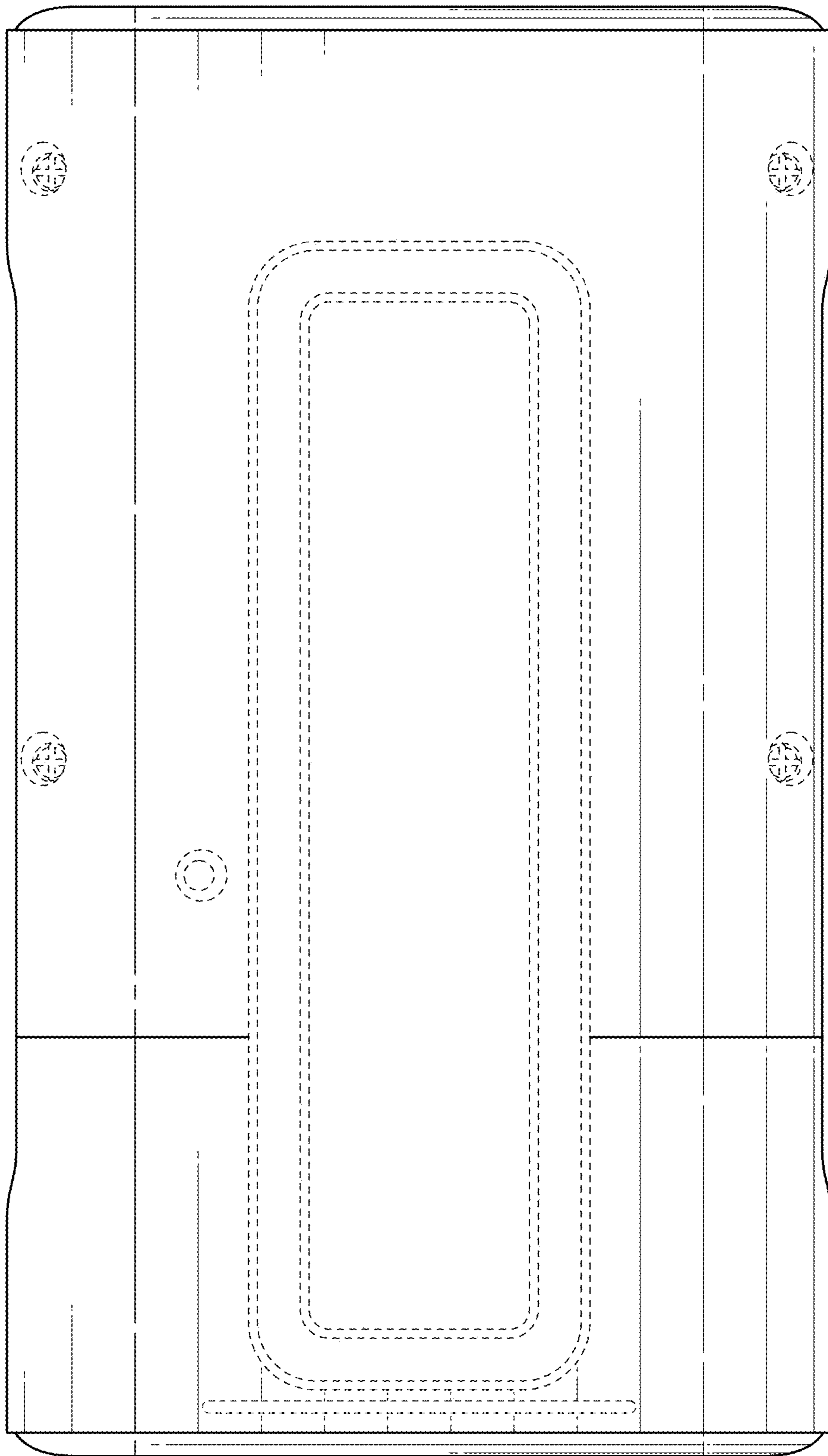


FIG. 3

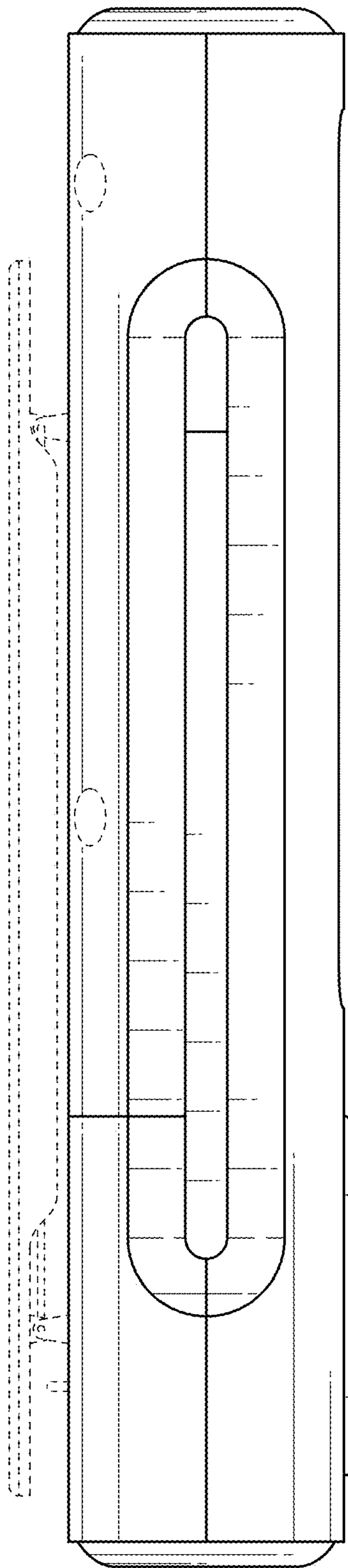


FIG. 4

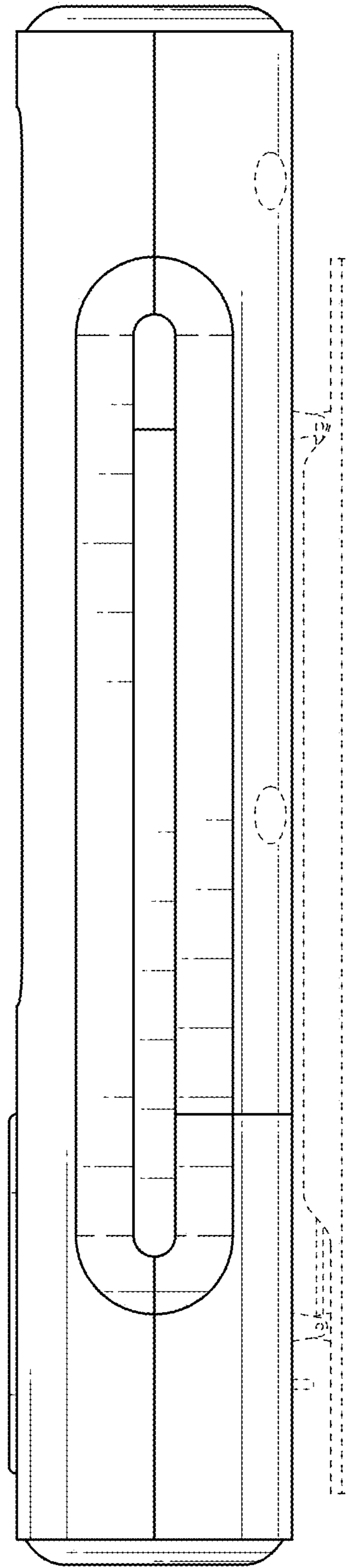


FIG. 5

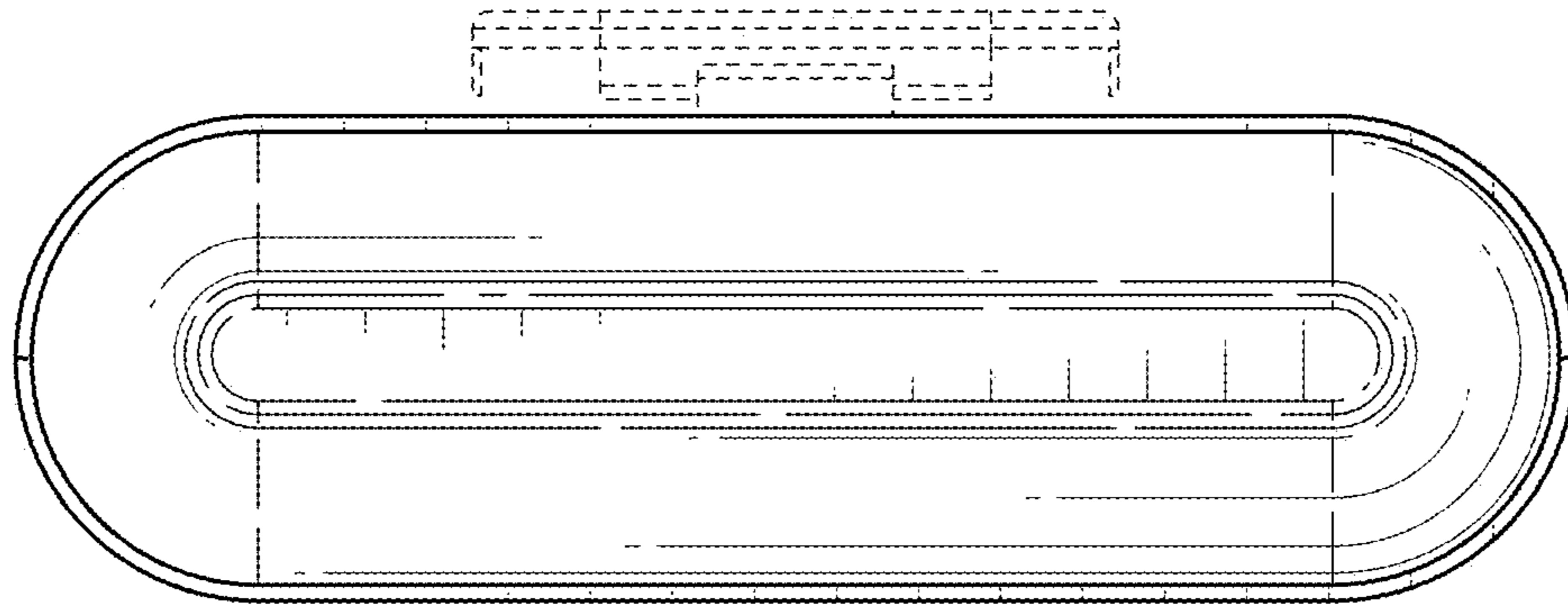


FIG. 6

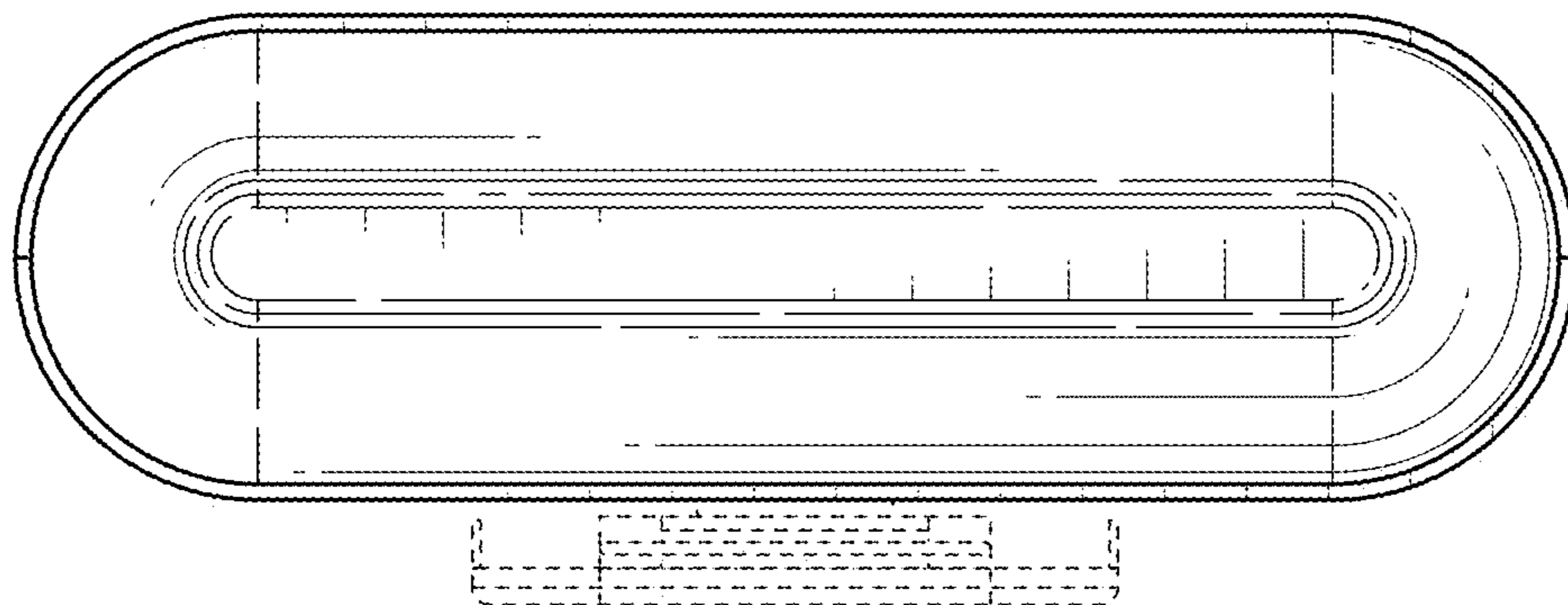


FIG. 7

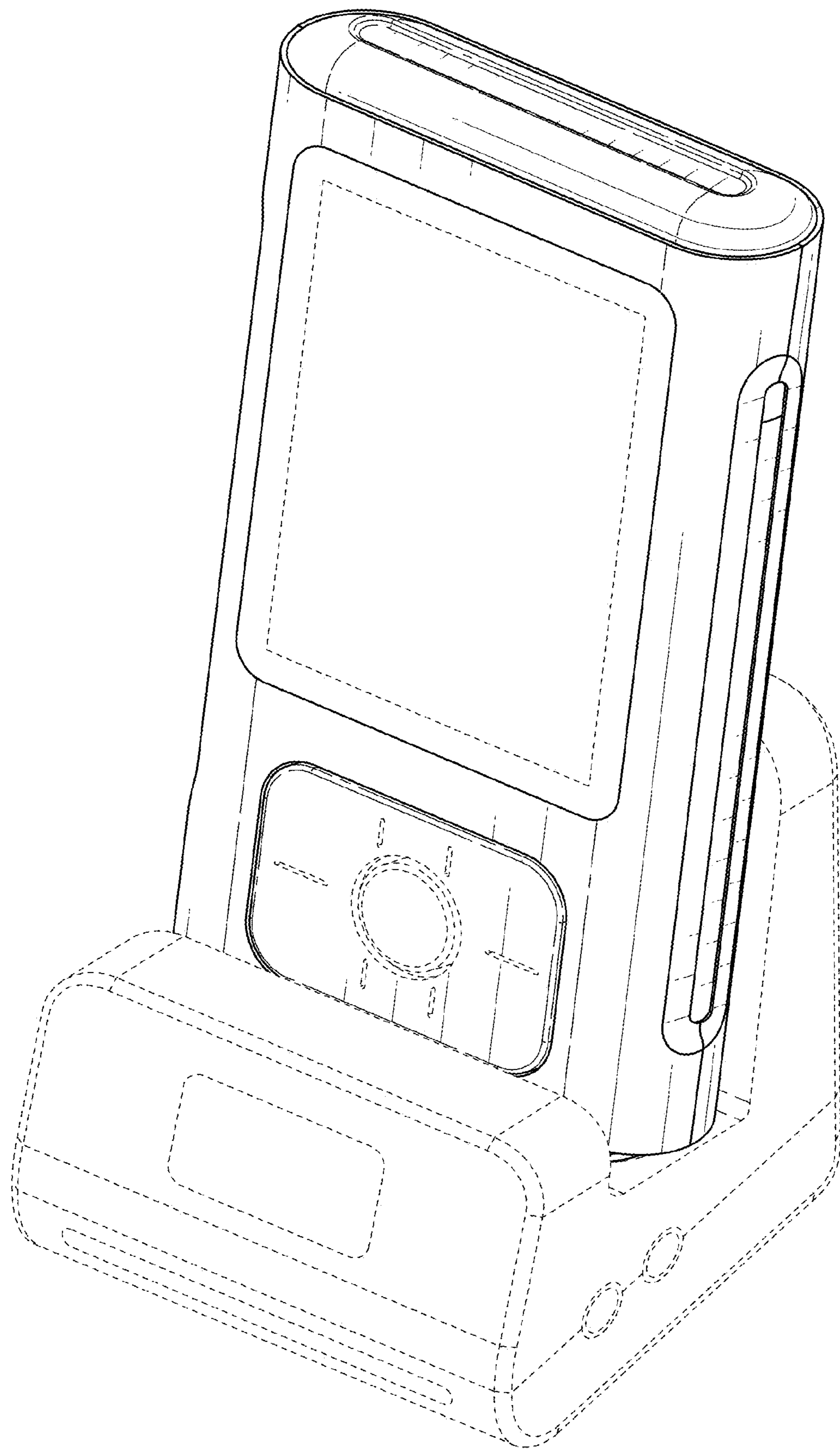


FIG. 8

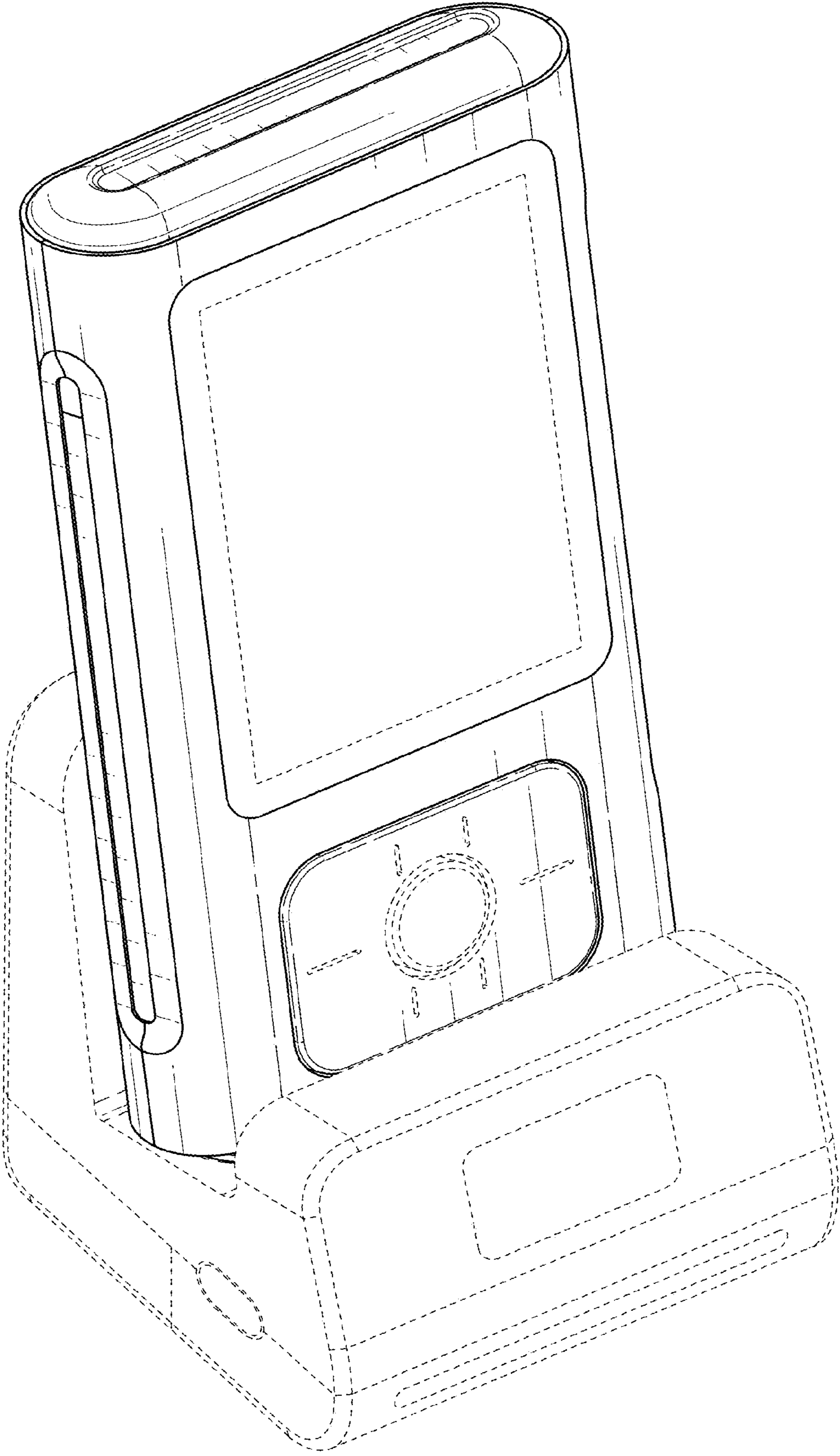


FIG. 9