



US00D963493S

(12) **United States Design Patent**
Harris

(10) **Patent No.:** **US D963,493 S**

(45) **Date of Patent:** **** Sep. 13, 2022**

(54) **TEMPERATURE IMAGING MODULE**

(71) Applicant: **Paul Harris**, Manalapan, NJ (US)

(72) Inventor: **Paul Harris**, Manalapan, NJ (US)

(**) Term: **15 Years**

(21) Appl. No.: **29/754,474**

(22) Filed: **Oct. 12, 2020**

(51) **LOC (13) Cl.** **10-04**

(52) **U.S. Cl.**
USPC **D10/57**

(58) **Field of Classification Search**
USPC D10/46, 52, 53, 56, 57, 60, 70, 103;
D16/202, 238

CPC G01K 1/02; G01K 13/20; G01K 13/00;
G01K 13/04

See application file for complete search history.

(56) **References Cited**

U.S. PATENT DOCUMENTS

D612,882 S *	3/2010	Kim	D16/202
D620,037 S *	7/2010	Kim	D16/202
D631,079 S *	1/2011	Tzeng	D16/202
D632,718 S *	2/2011	Tzeng	D16/202
D632,719 S *	2/2011	Tsai	D16/202
D636,006 S *	4/2011	Champ	D16/202
D636,007 S *	4/2011	Peng	D16/202

D636,422 S *	4/2011	Hou	D16/202
D639,839 S *	6/2011	Kao	D16/202
D654,442 S *	2/2012	Won	D10/46
D724,449 S *	3/2015	Chang	D10/57
D888,126 S *	6/2020	Lee	D16/202
D912,125 S *	3/2021	Gao	D16/202
D912,716 S *	3/2021	Sasaki	D16/202

* cited by examiner

Primary Examiner — George D. Kirschbaum

Assistant Examiner — Lillian Windham

(74) *Attorney, Agent, or Firm* — Goldstein Law Offices, P.C.

(57) **CLAIM**

The ornamental design for a temperature imaging module, as shown and described.

DESCRIPTION

FIG. 1 is a perspective view of a temperature imaging module.

FIG. 2 is a top plan view of the temperature imaging module.

FIG. 3 is a bottom plan view thereof.

FIG. 4 is a front elevational view thereof.

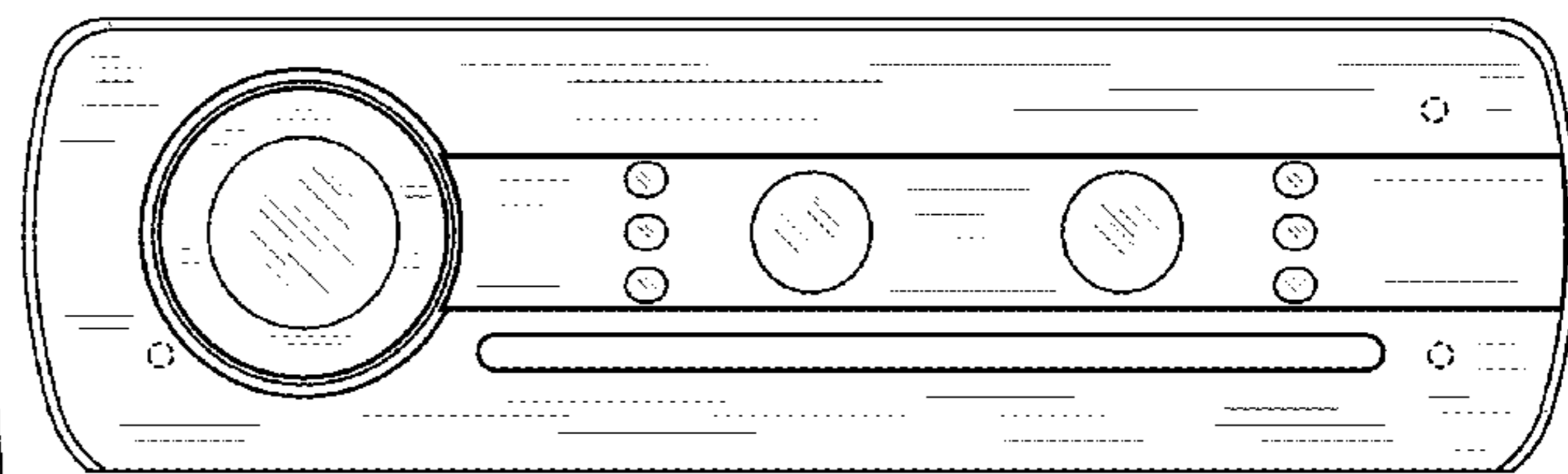
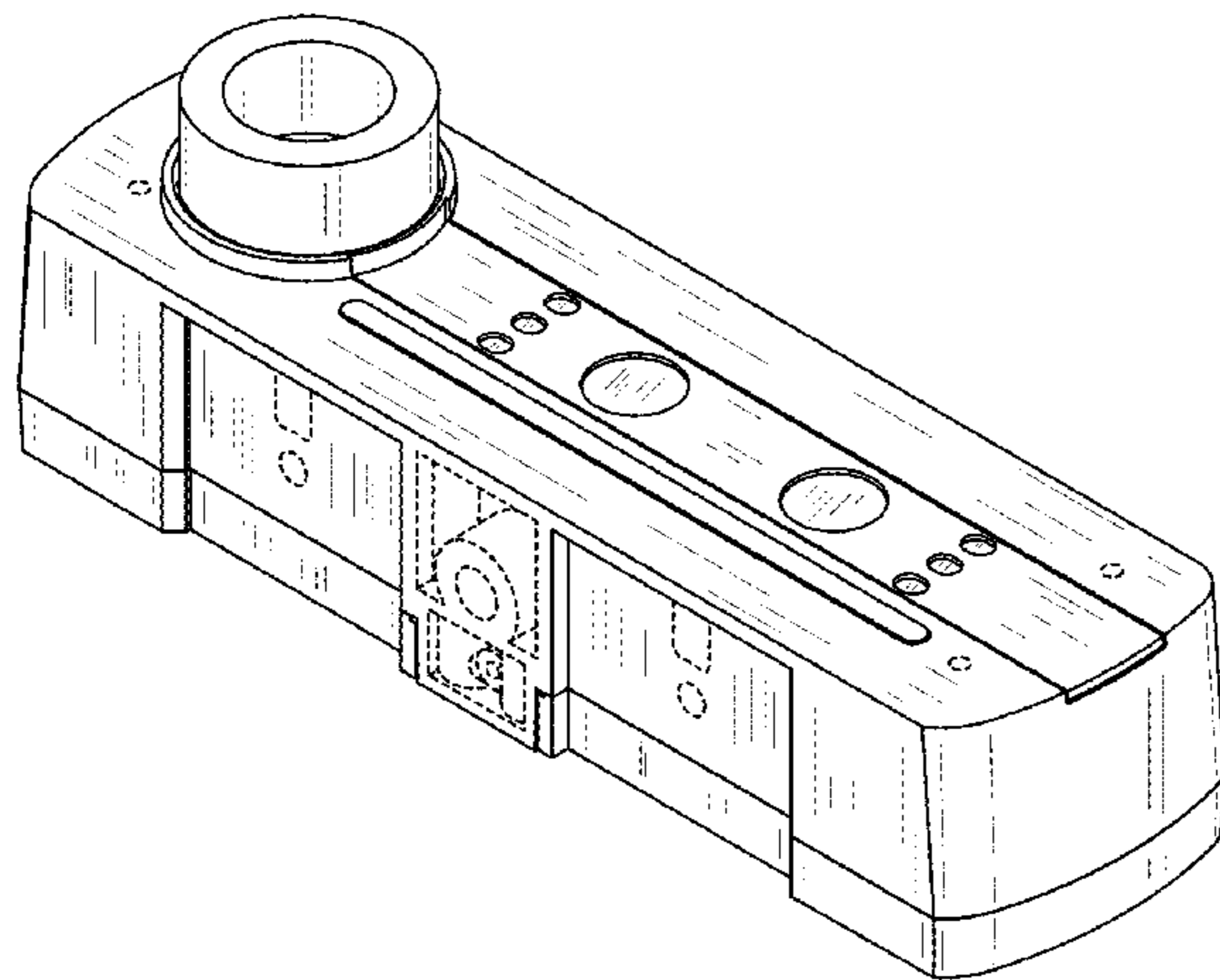
FIG. 5 is a rear elevational view thereof.

FIG. 6 is a left side elevational view thereof; and,

FIG. 7 is a right side elevational view thereof.

The broken lines showing of mounting hardware in FIGS. 1-4 form no part of the claimed design.

1 Claim, 4 Drawing Sheets



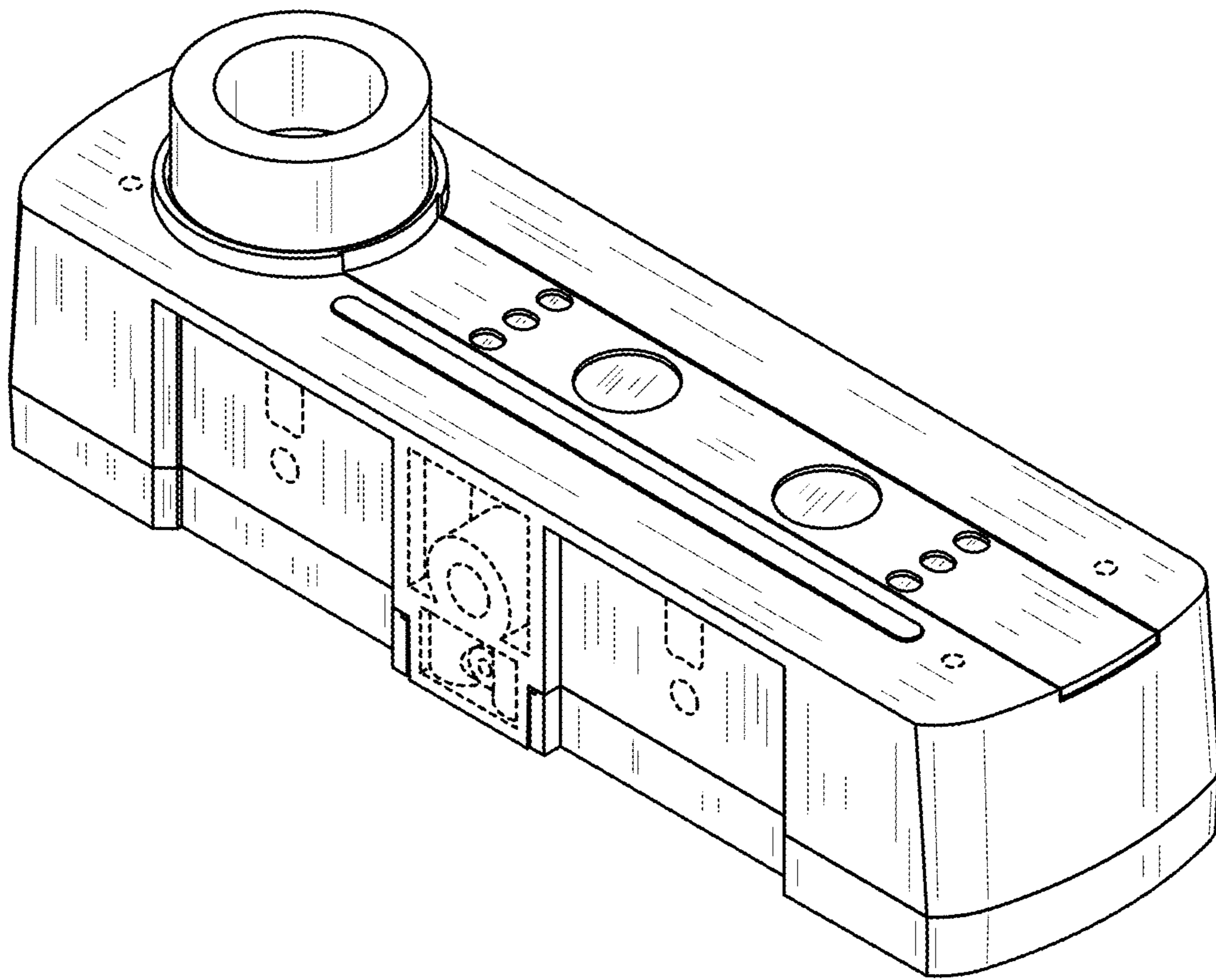


FIG. 1

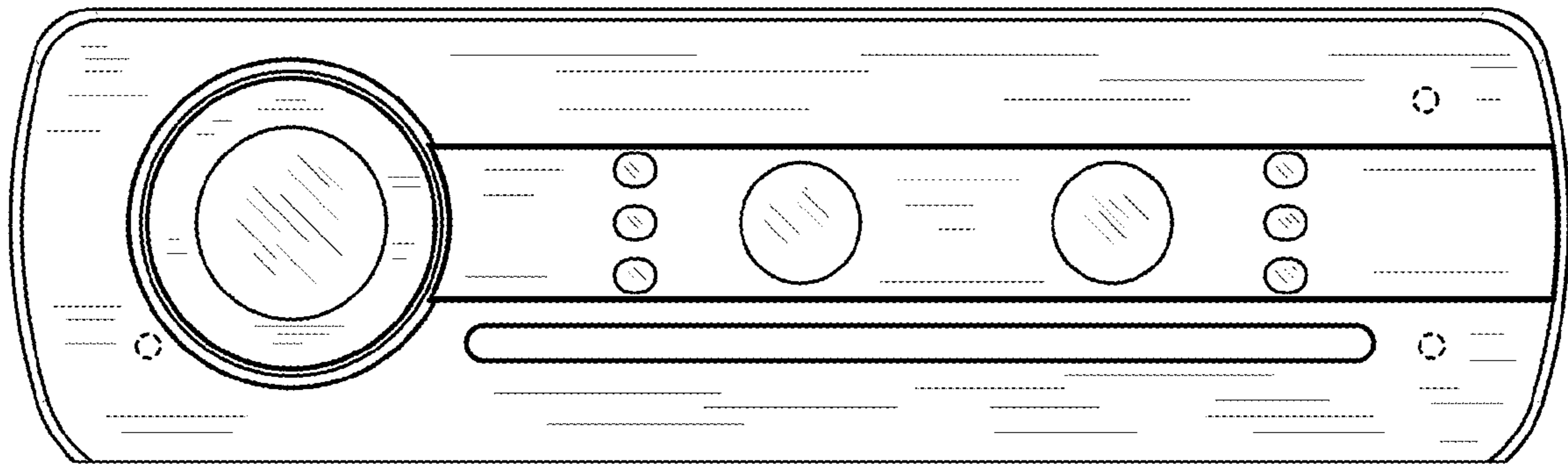


FIG. 2

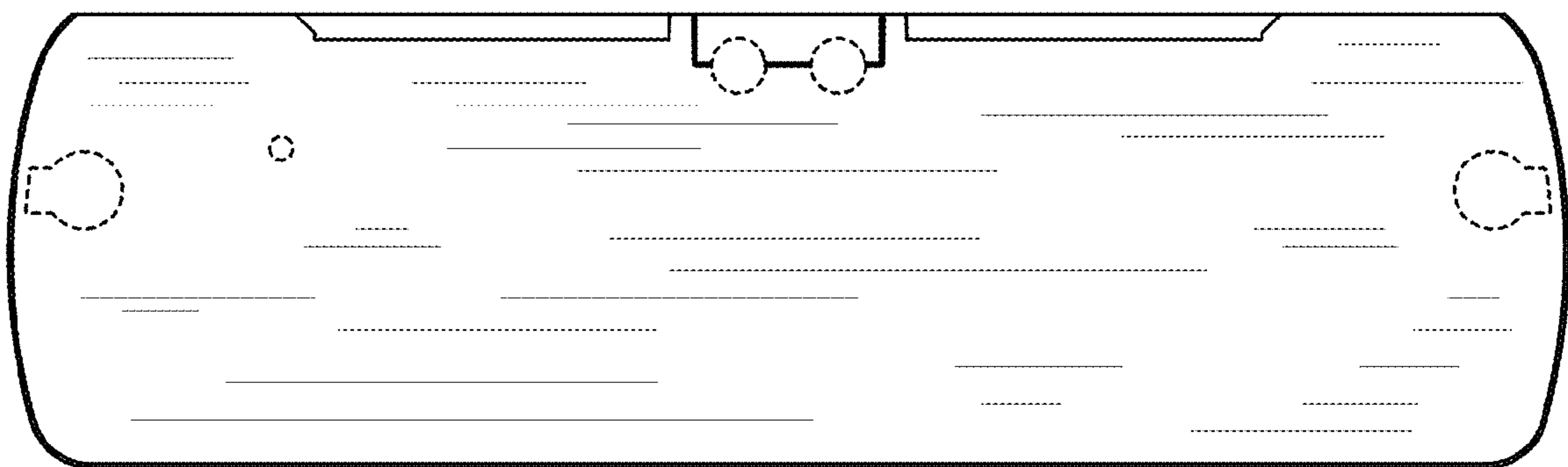


FIG. 3

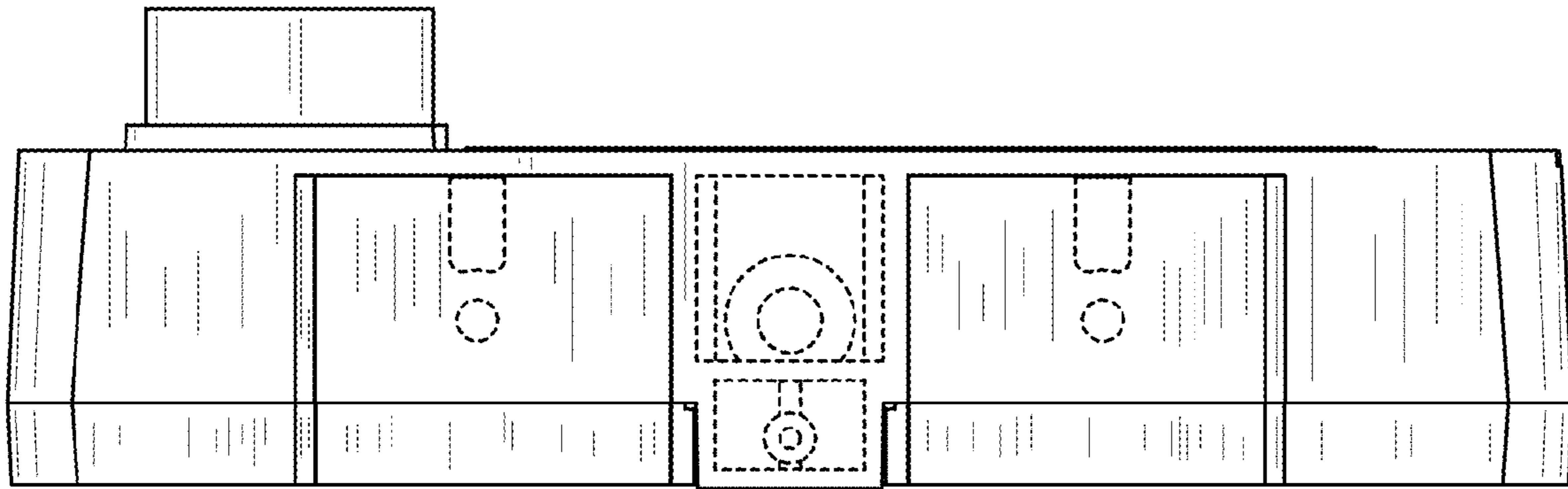


FIG. 4

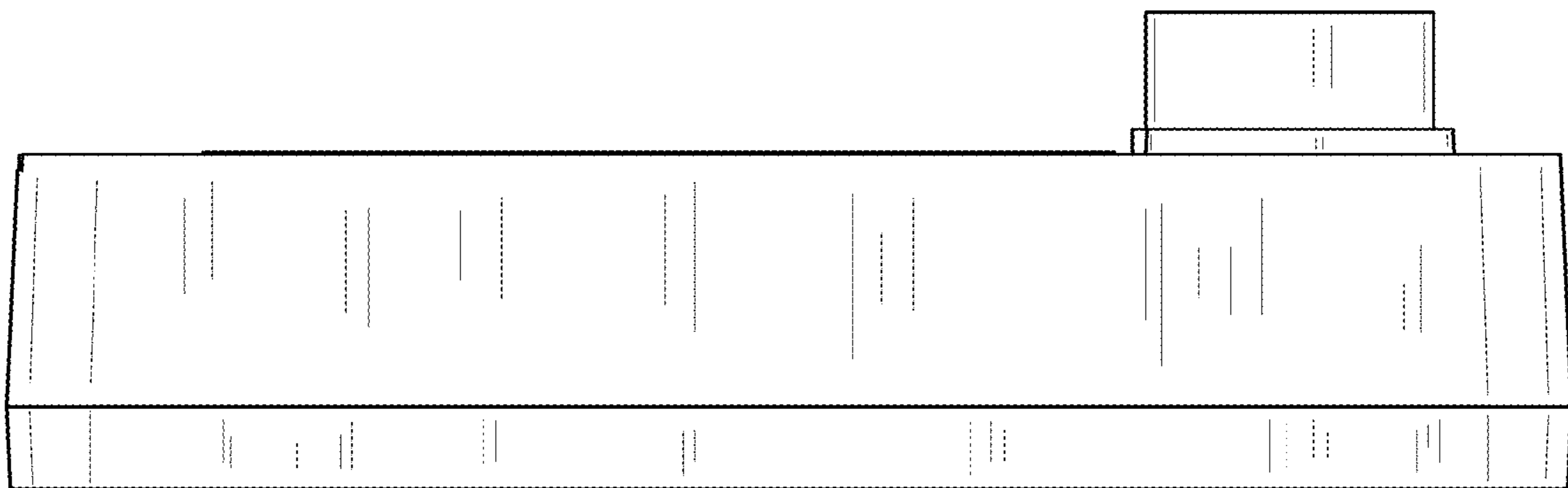


FIG. 5

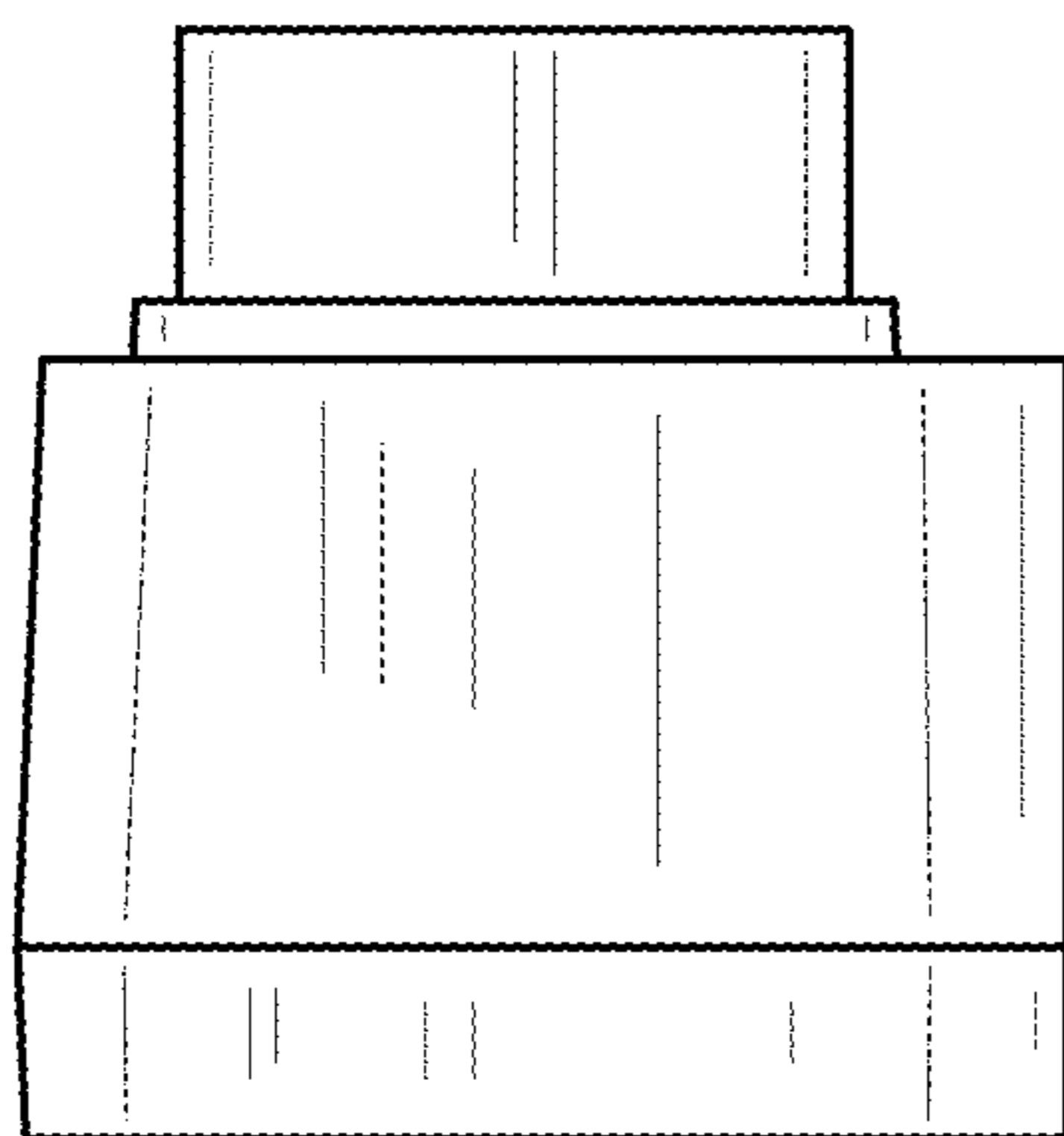


FIG. 6

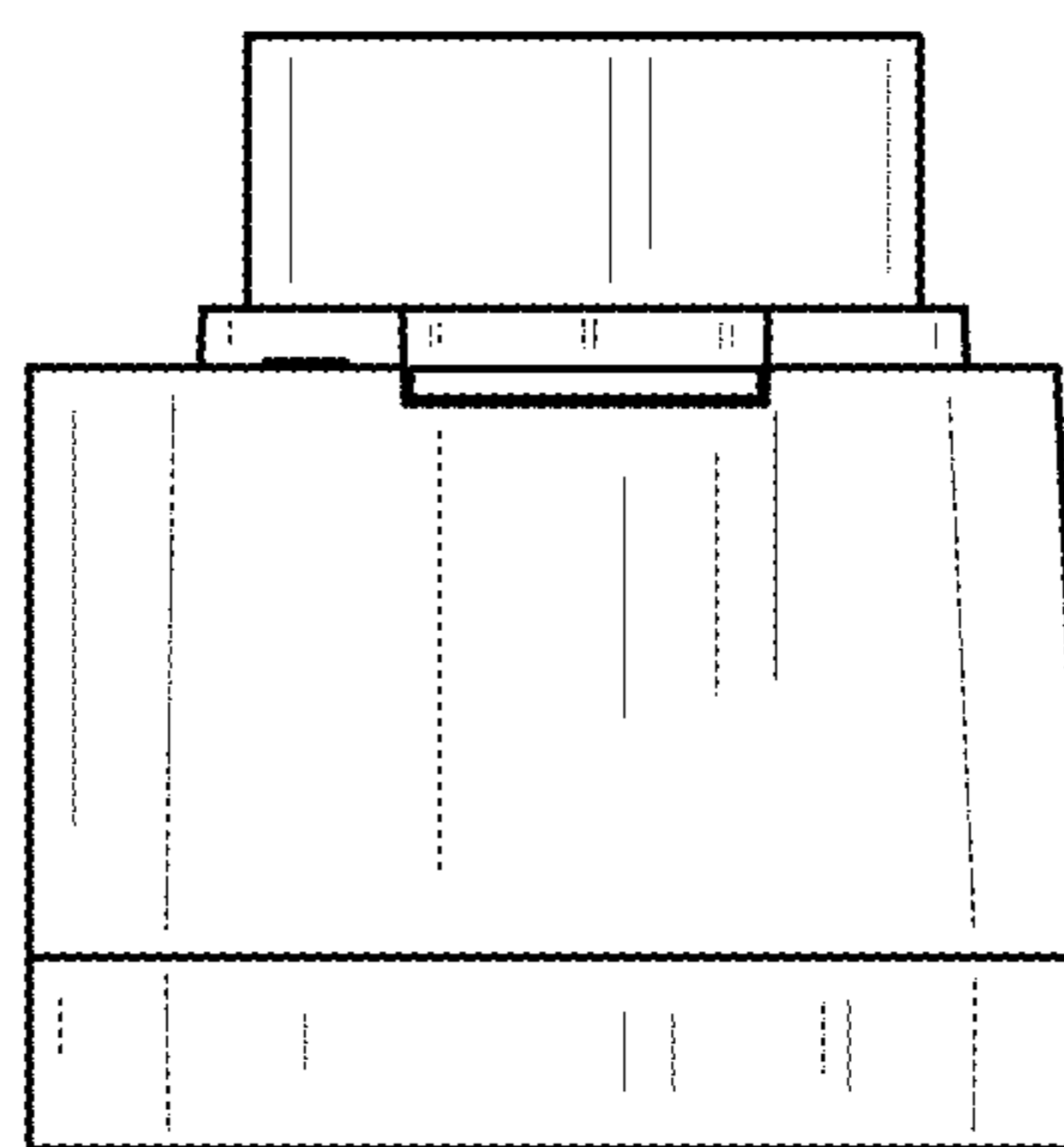


FIG. 7