



US00D963488S

(12) **United States Design Patent** (10) **Patent No.:** **US D963,488 S**
Tsai et al. (45) **Date of Patent:** **** Sep. 13, 2022**

(54) **CHILD-RESISTANT PACKAGING WITH LID**

(71) Applicant: **Denali Innovations, LLC**, City of Industry, CA (US)

(72) Inventors: **Mike Tsai**, Chino Hills, CA (US);
Frank Tsai, Walnut, CA (US)

(73) Assignee: **Denali Innovations, LLC**, City of Industry, CA (US)

(**) Term: **15 Years**

(21) Appl. No.: **29/777,108**

(22) Filed: **Apr. 2, 2021**

(51) **LOC (13) Cl.** **09-05**

(52) **U.S. Cl.**
USPC **D9/711**

(58) **Field of Classification Search**

USPC D9/702-714, 695-699, 435, 440, 521, D9/454, 544, 723-724, 499, 449, D9/727-728, 442, 447, 504; 222/92, 96, 222/107, 527-529, 215, 491, 206, 222/212-213, 251, 95, 536; 206/438, 206/822, 527; 220/DIG. 7, 669; 215/321, 382, 316, 380, 228; 141/114-115; D28/91.1, 76-78, 82, 88; D24/114; D3/202, 205, 203.2, 270, D3/271.1-271.4; D7/510, 514-520, 599, D7/601-602, 612-615, 619.2, 628-629, D7/213
CPC .. B65D 2203/00; B65D 2203/02; B65D 5/00; B65D 5/001; B65D 5/4258; B65D 1/0223; B65D 1/02; B65D 1/10; B65D 1/46; B65D 23/00; B65D 2585/00; B65D 81/60; B65D 81/365; B65D 81/366; B65D 81/368; B65D 50/046; B65D 83/0005; B65D 83/005; B65D 83/00; B65D 47/18; B05C 17/0053

See application file for complete search history.

(56) **References Cited**

U.S. PATENT DOCUMENTS

D862,246 S * 10/2019 Basak-Smith D9/711
D923,488 S * 6/2021 Loritz D9/711
D927,986 S * 8/2021 Ryczek D9/711
D942,868 S * 2/2022 Knobel D9/711

* cited by examiner

Primary Examiner — Abraham Bahta

(74) *Attorney, Agent, or Firm* — Kevin Schraven; Anooj Patel; Hankin Patent Law, APC

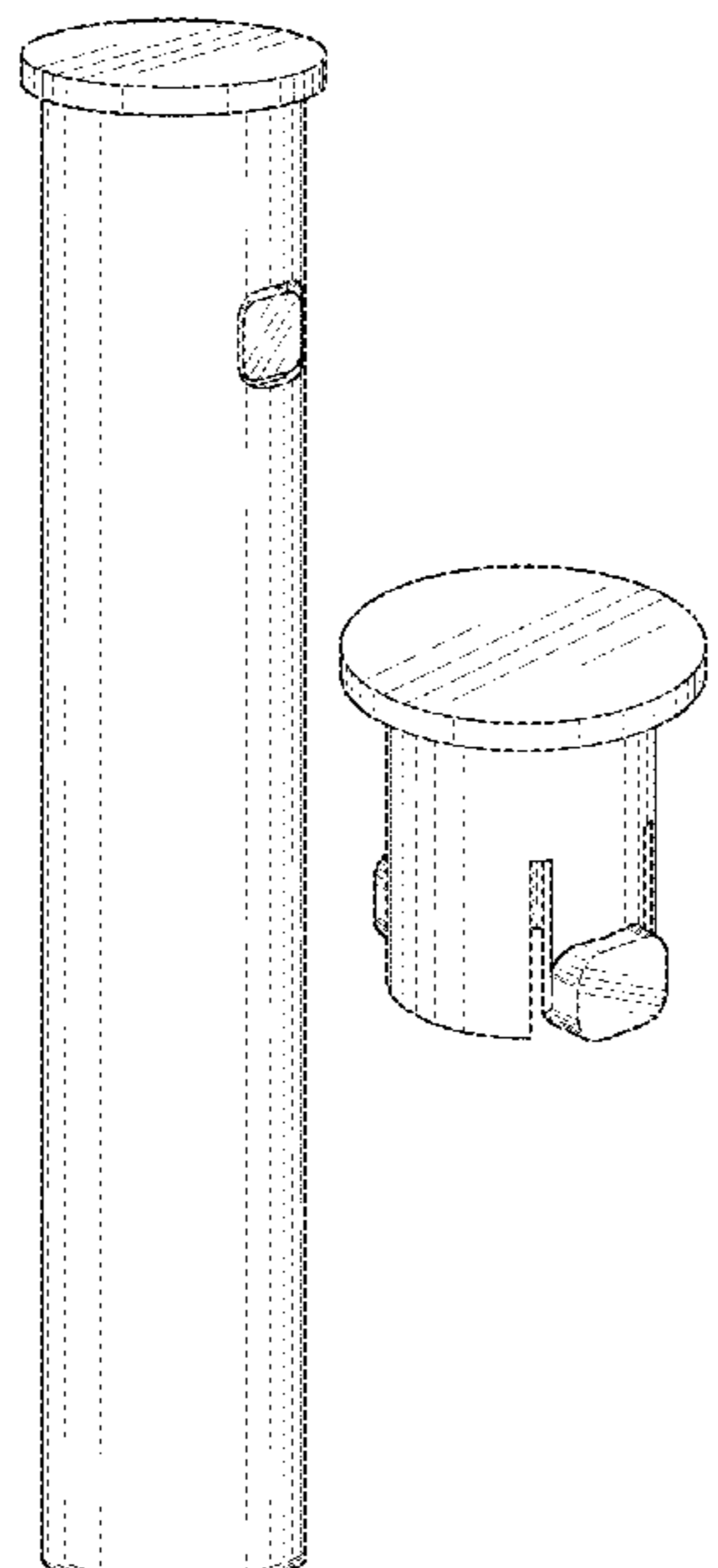
(57) **CLAIM**

The ornamental design for a child-resistant packaging with lid, as shown and described.

DESCRIPTION

FIG. 1 is a top perspective view of an assembled child-resistant packaging with lid showing our new design.
FIG. 2 is a bottom perspective view thereof.
FIG. 3 is a front elevational view thereof.
FIG. 4 is a rear elevational view thereof.
FIG. 5 is a left side elevational view thereof.
FIG. 6 is a right side elevational view thereof.
FIG. 7 is a top plan view thereof.
FIG. 8 is a bottom plan view thereof.
FIG. 9 is an exploded top perspective view of a child-resistant packaging with lid showing our new design.
FIG. 10 is a top perspective view of the lid of the child-resistant packaging with lid shown separately for ease of illustration.
FIG. 11 is a bottom perspective view thereof.
FIG. 12 is a front elevational view thereof.
FIG. 13 is a rear elevational view thereof.
FIG. 14 is a left side elevational view thereof.
FIG. 15 is a right side elevational view thereof.
FIG. 16 is a bottom plan view thereof; and,
FIG. 17 is a top plan view thereof.

1 Claim, 17 Drawing Sheets



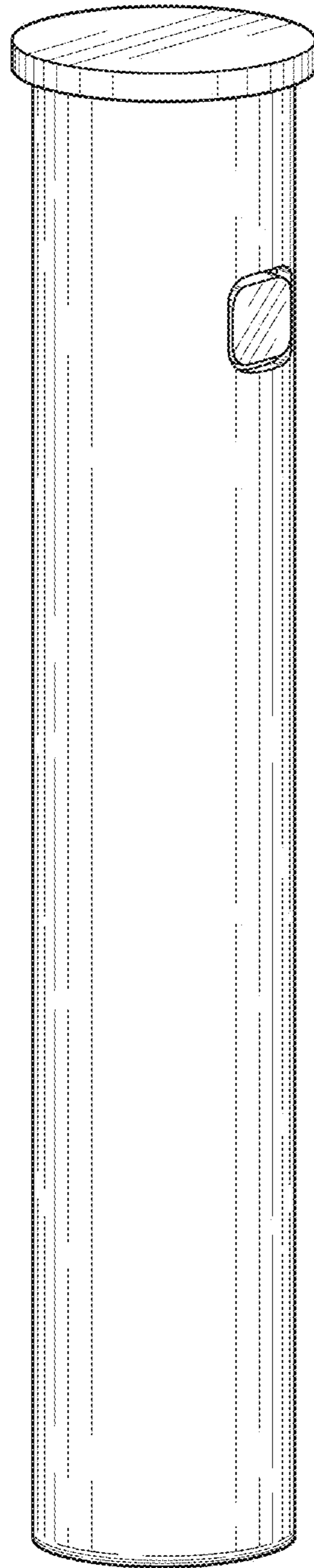


Fig. 1

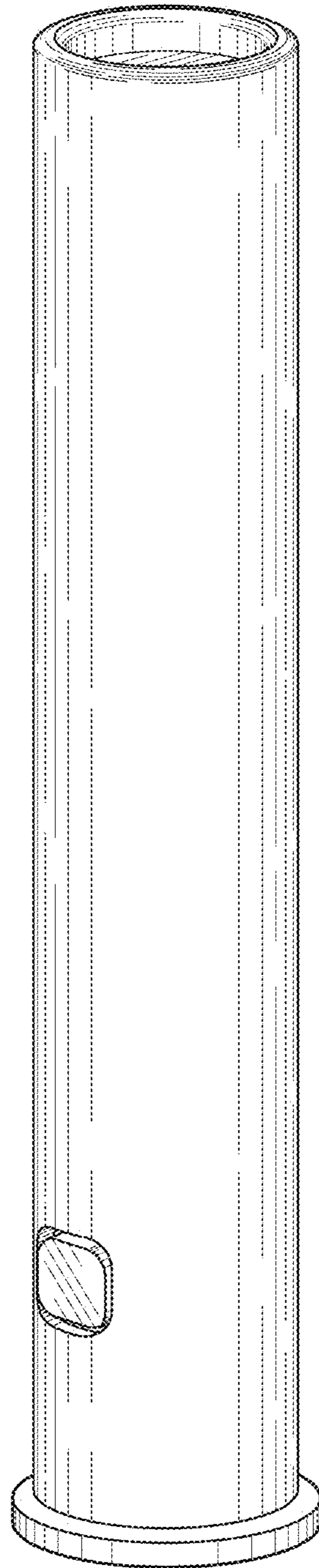


Fig.2

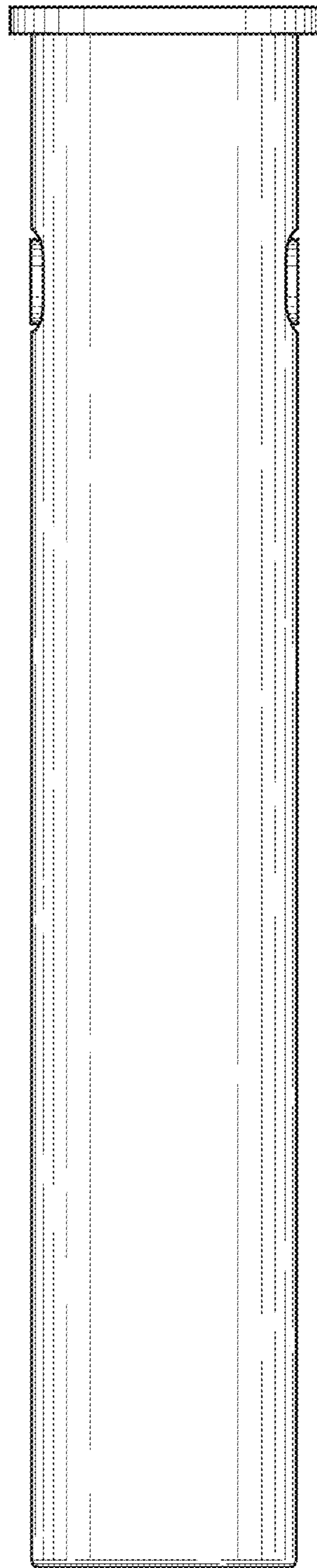


Fig.3

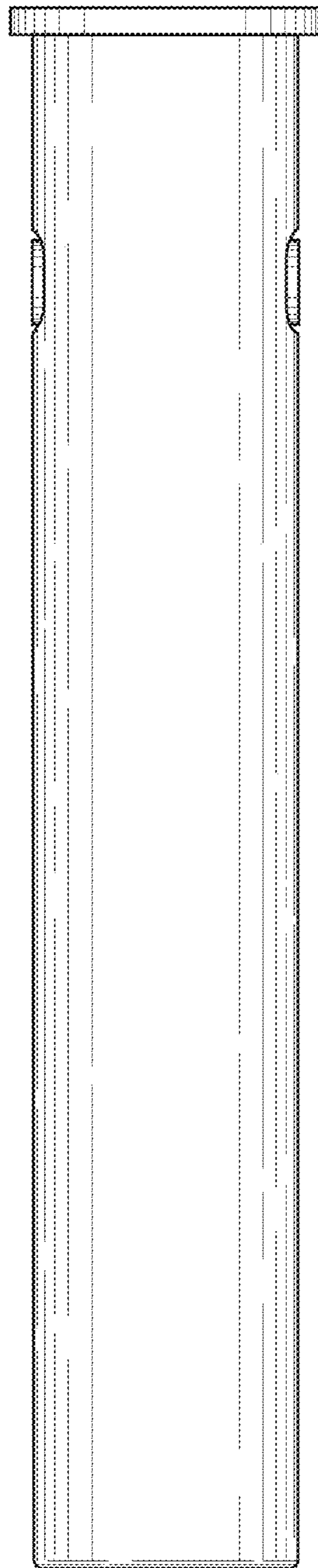


Fig.4

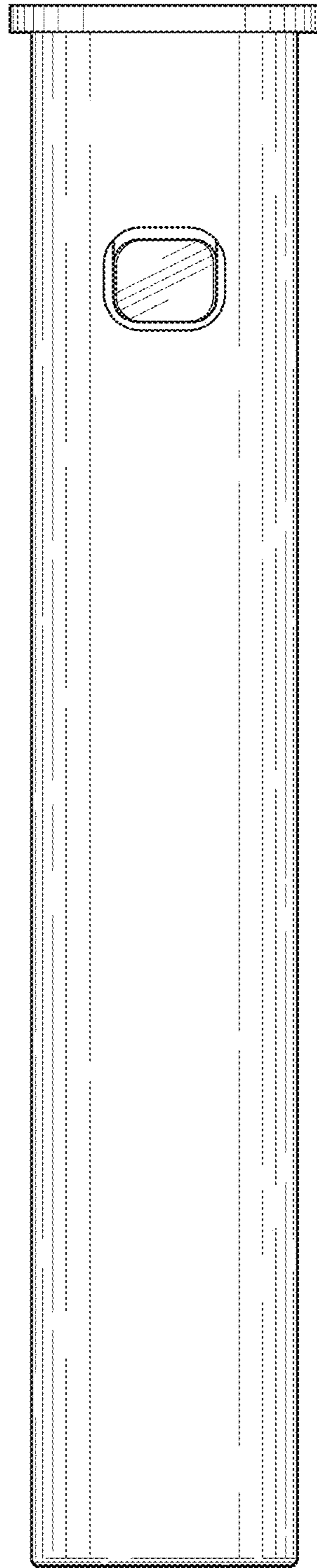


Fig.5

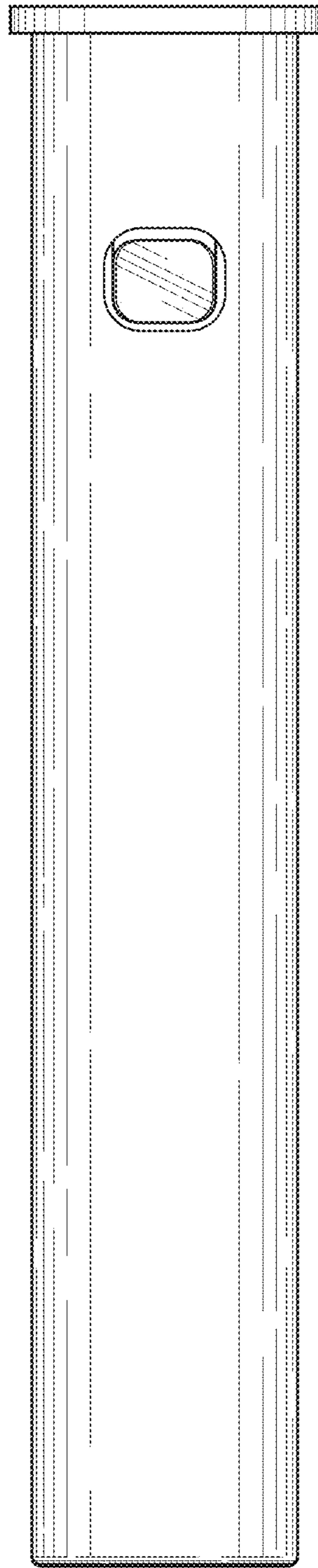


Fig.6

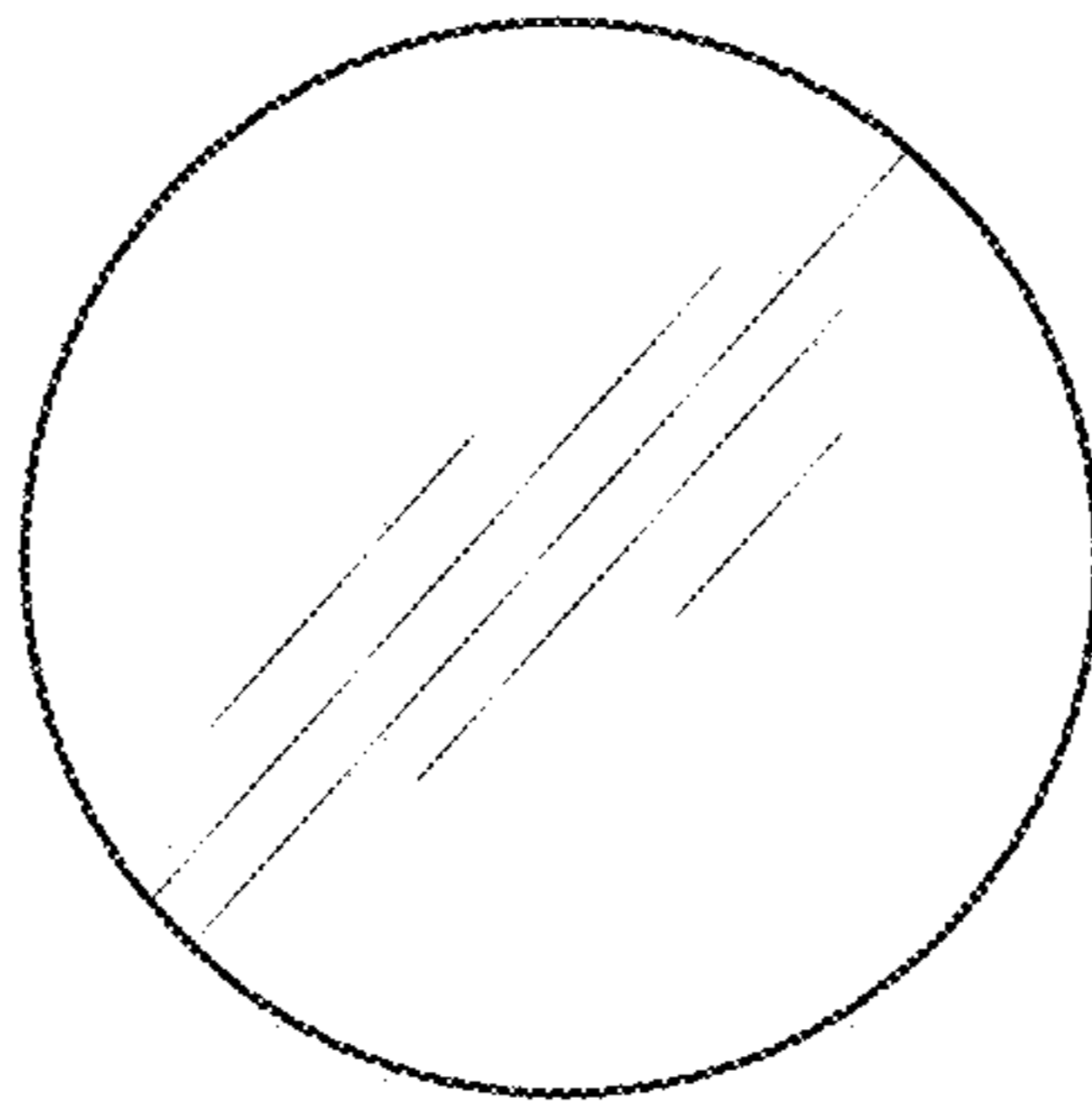


Fig.7

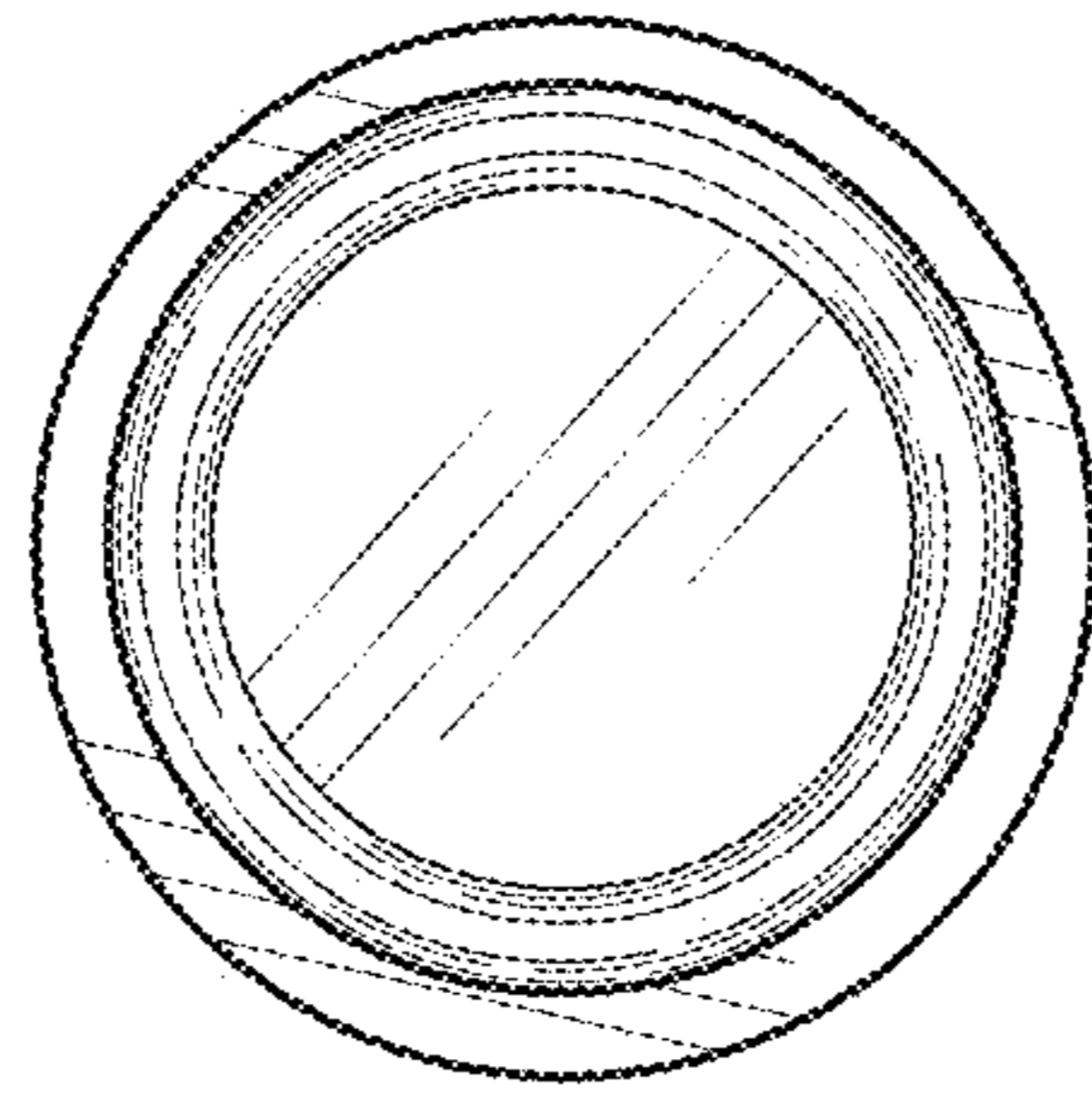


Fig.8

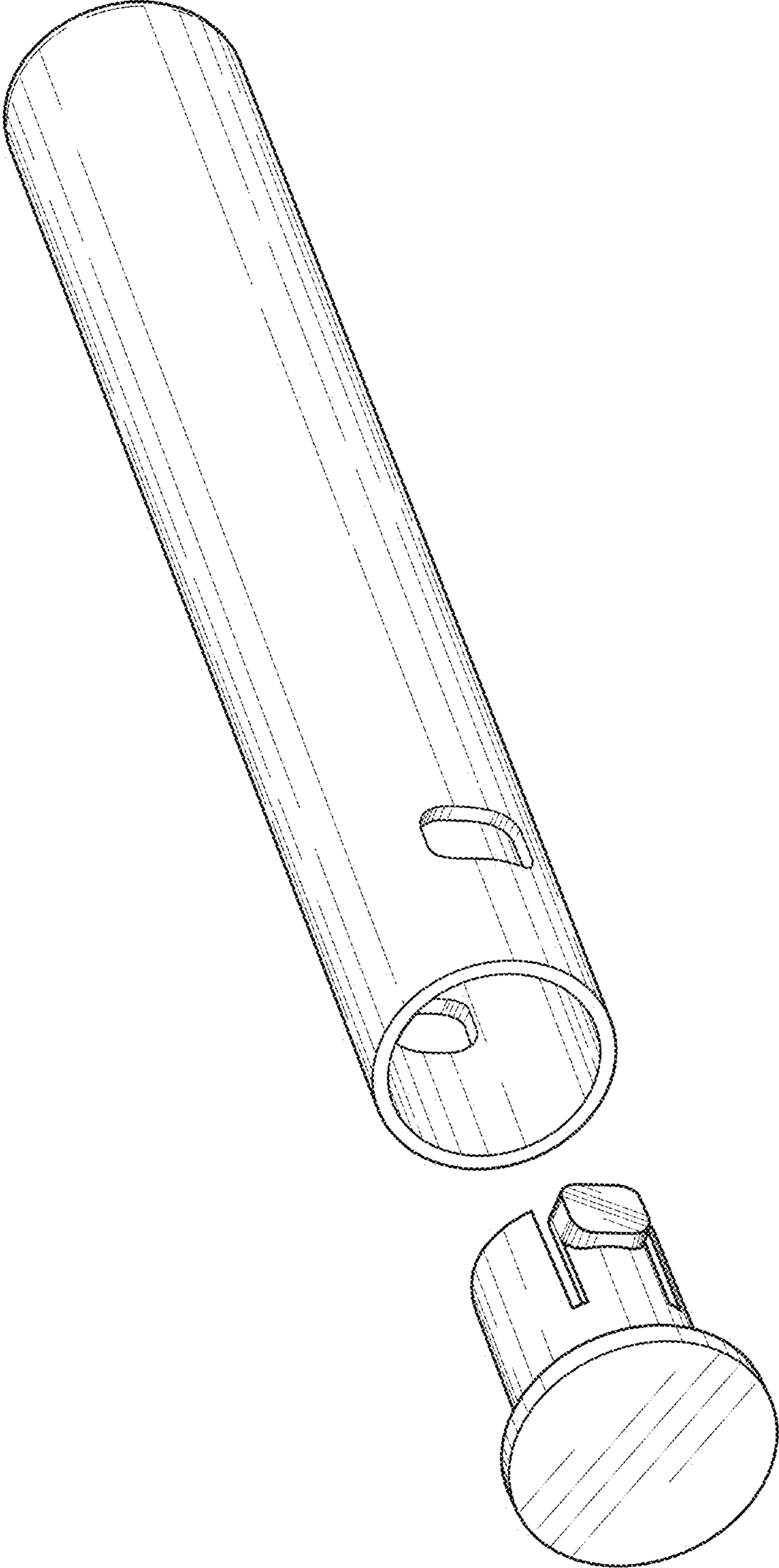


Fig. 9

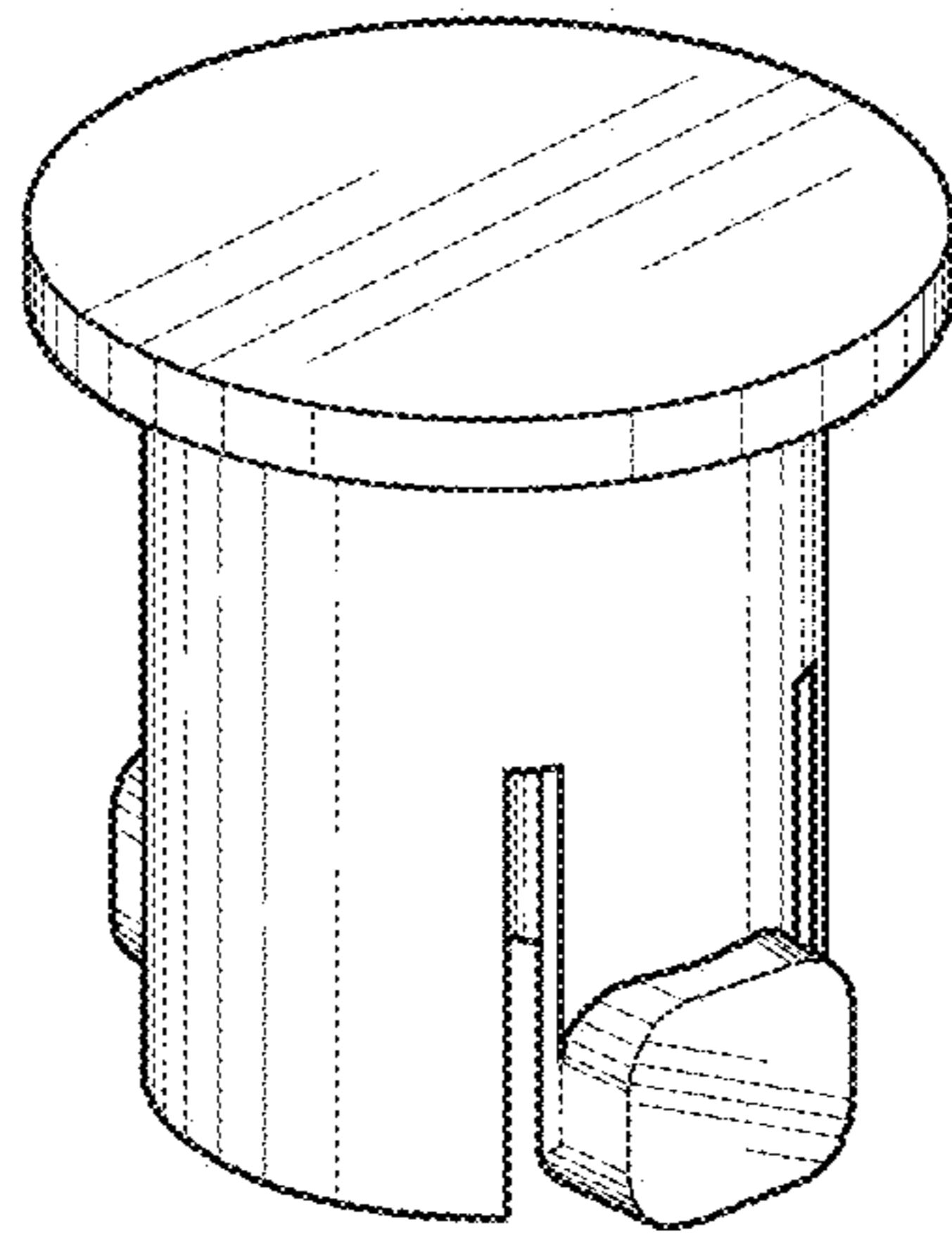


Fig.10

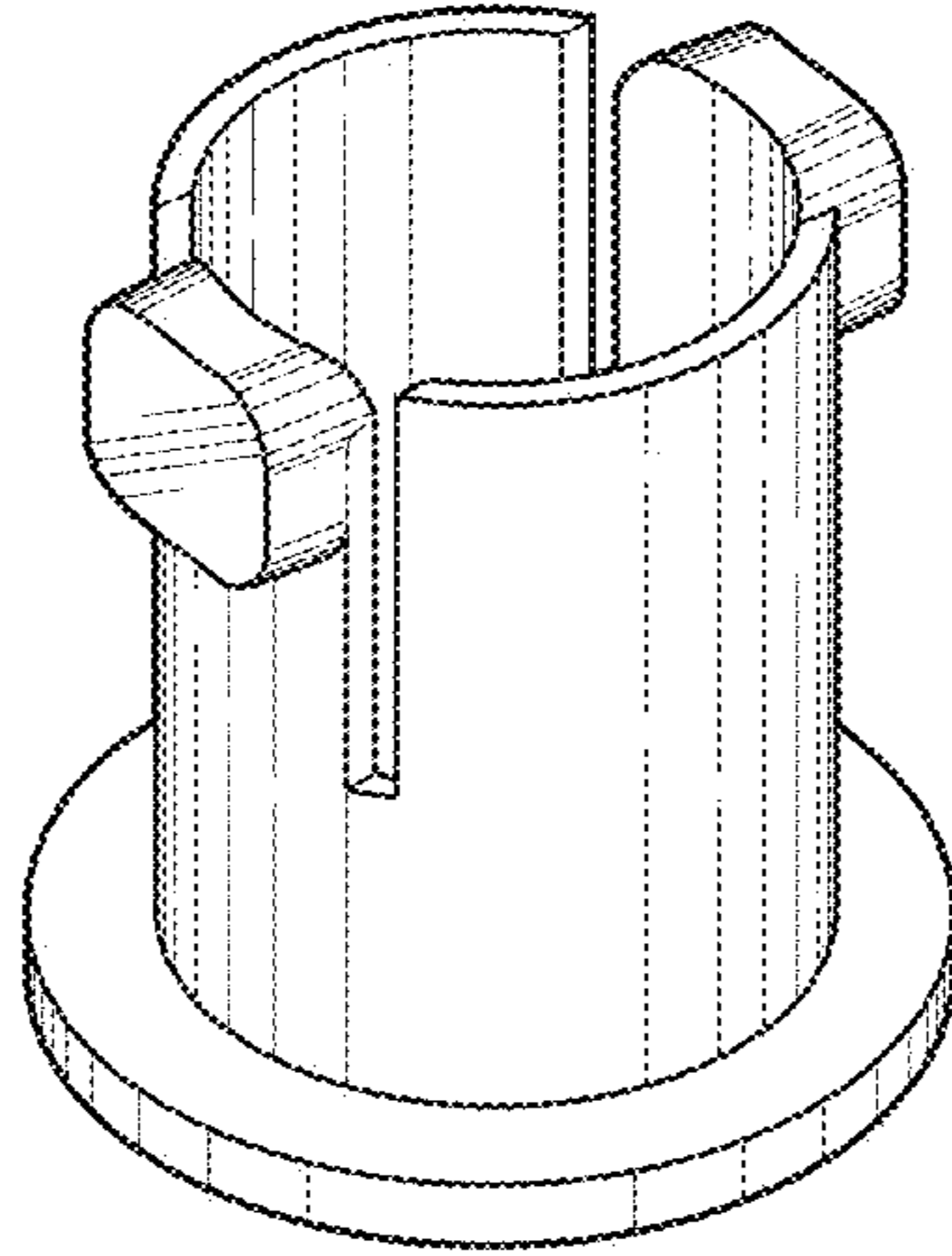


Fig. 11

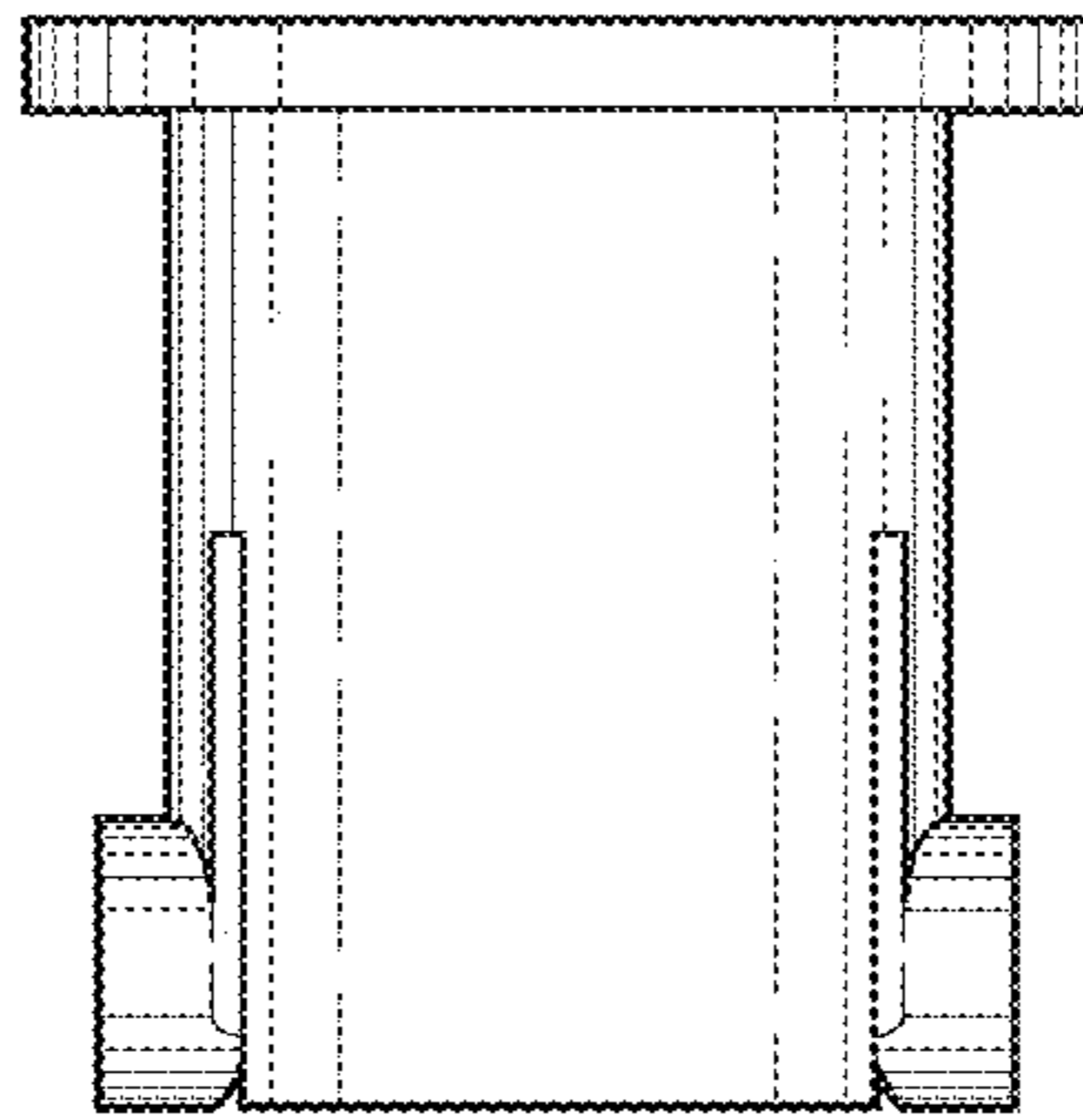


Fig.12

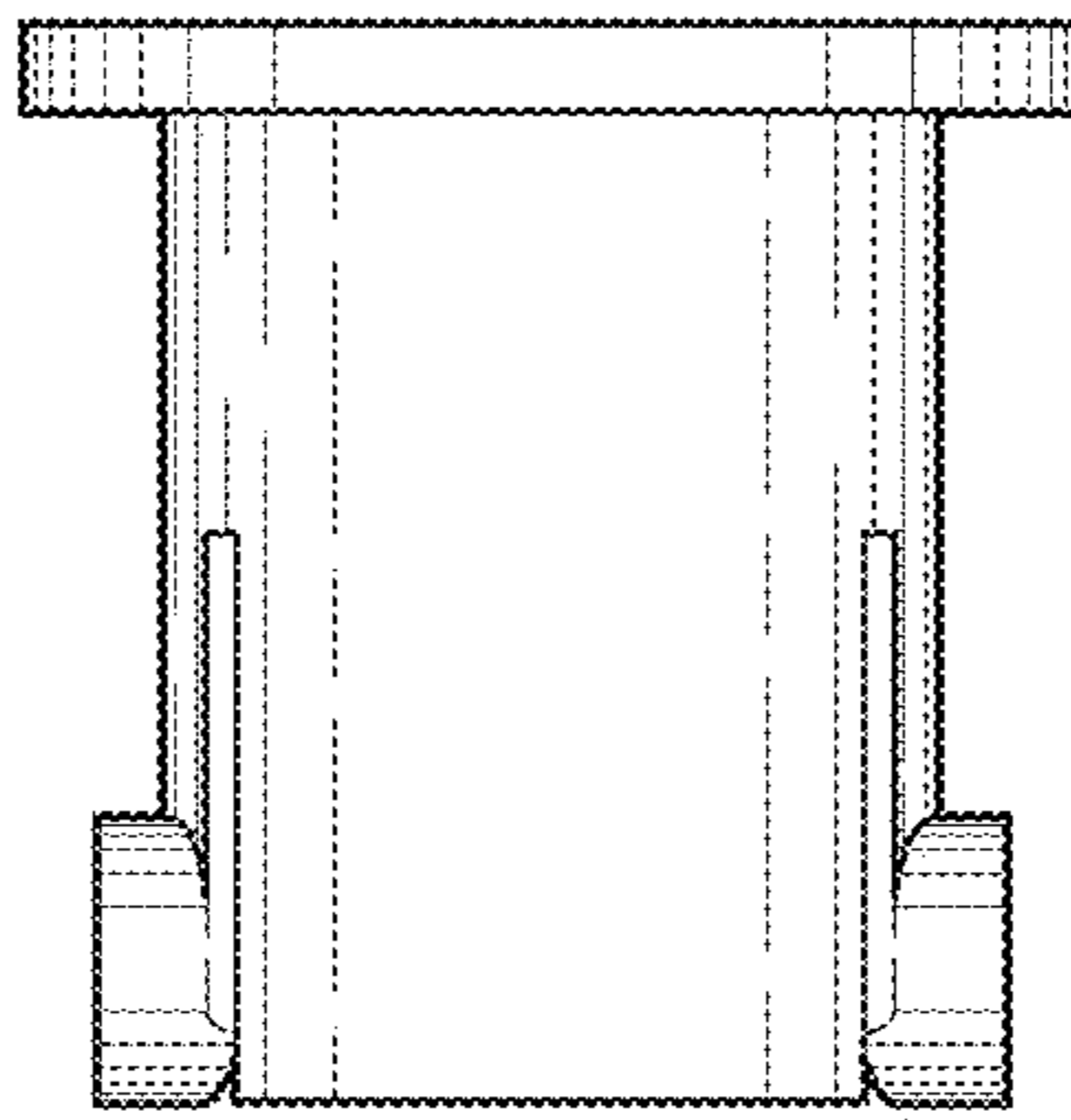


Fig. 13

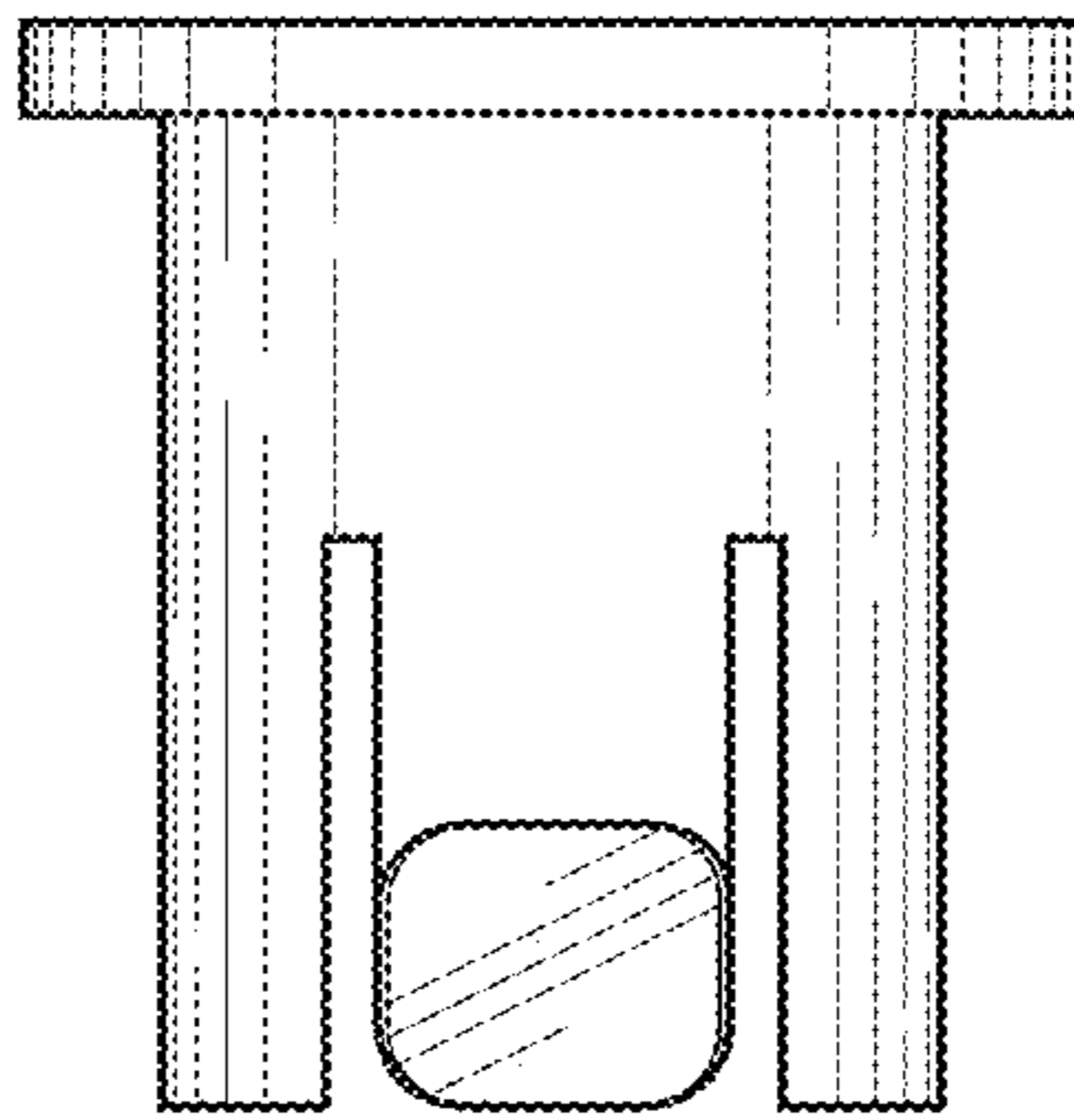


Fig. 14

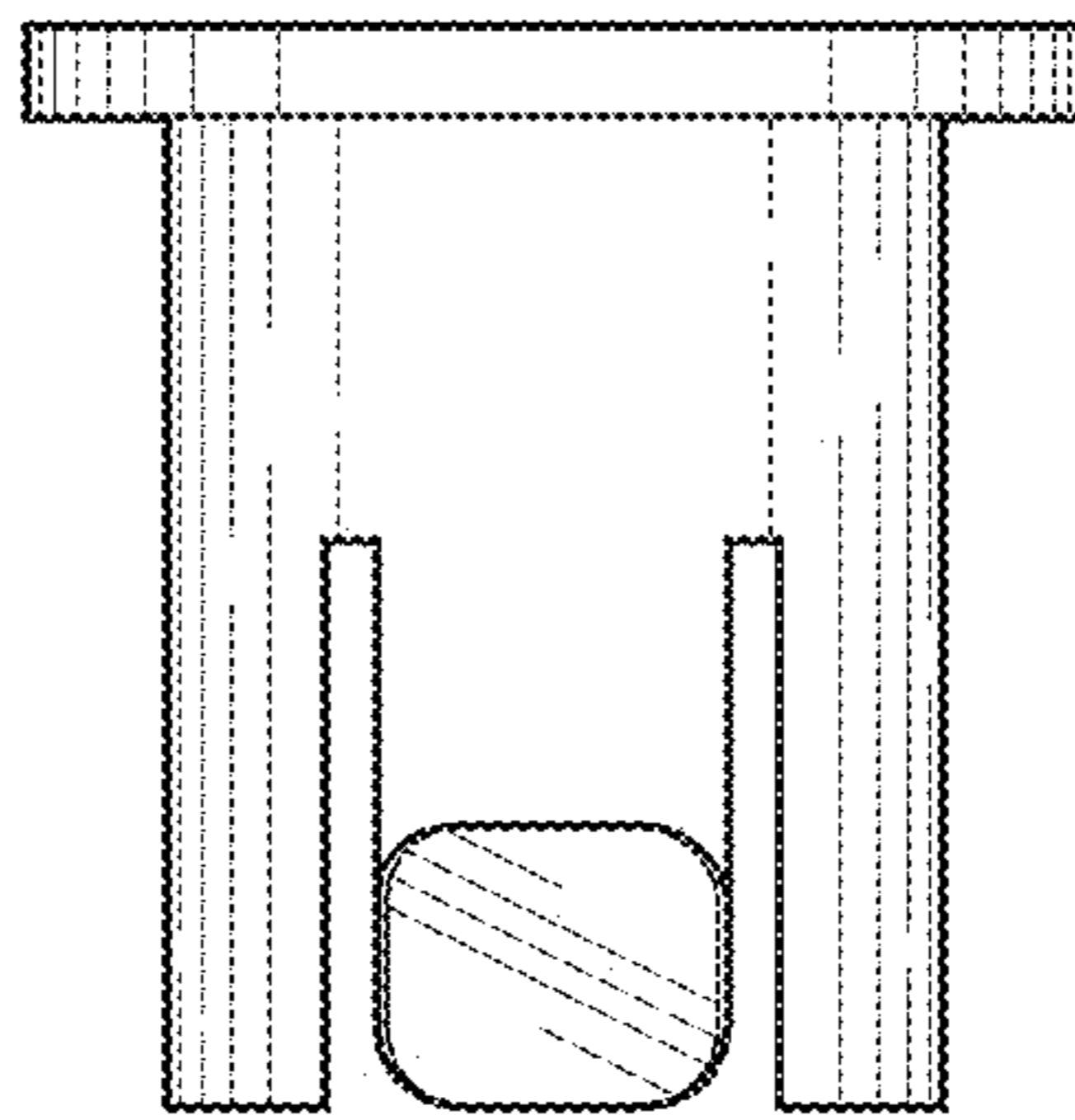


Fig.15

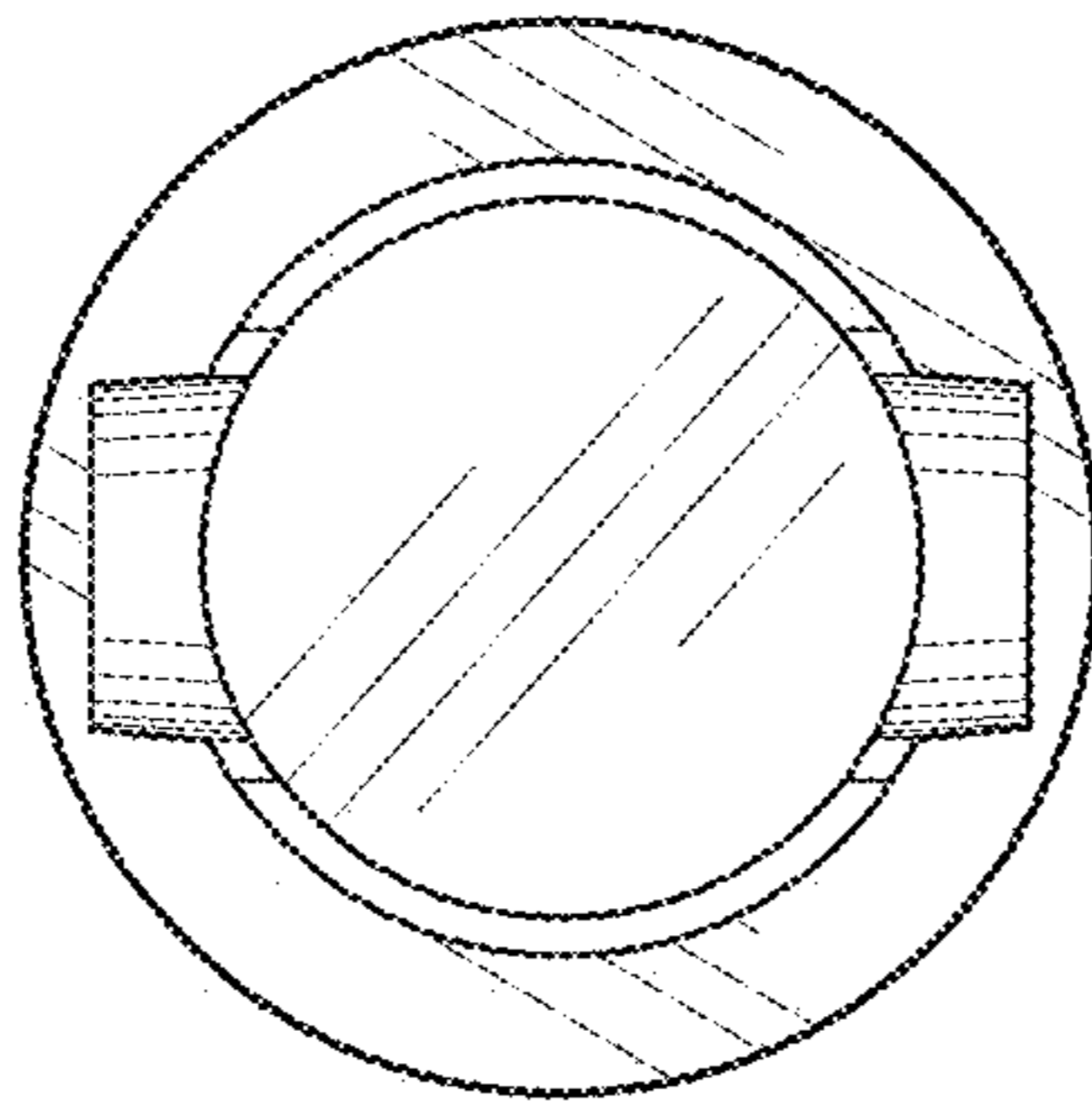


Fig. 16

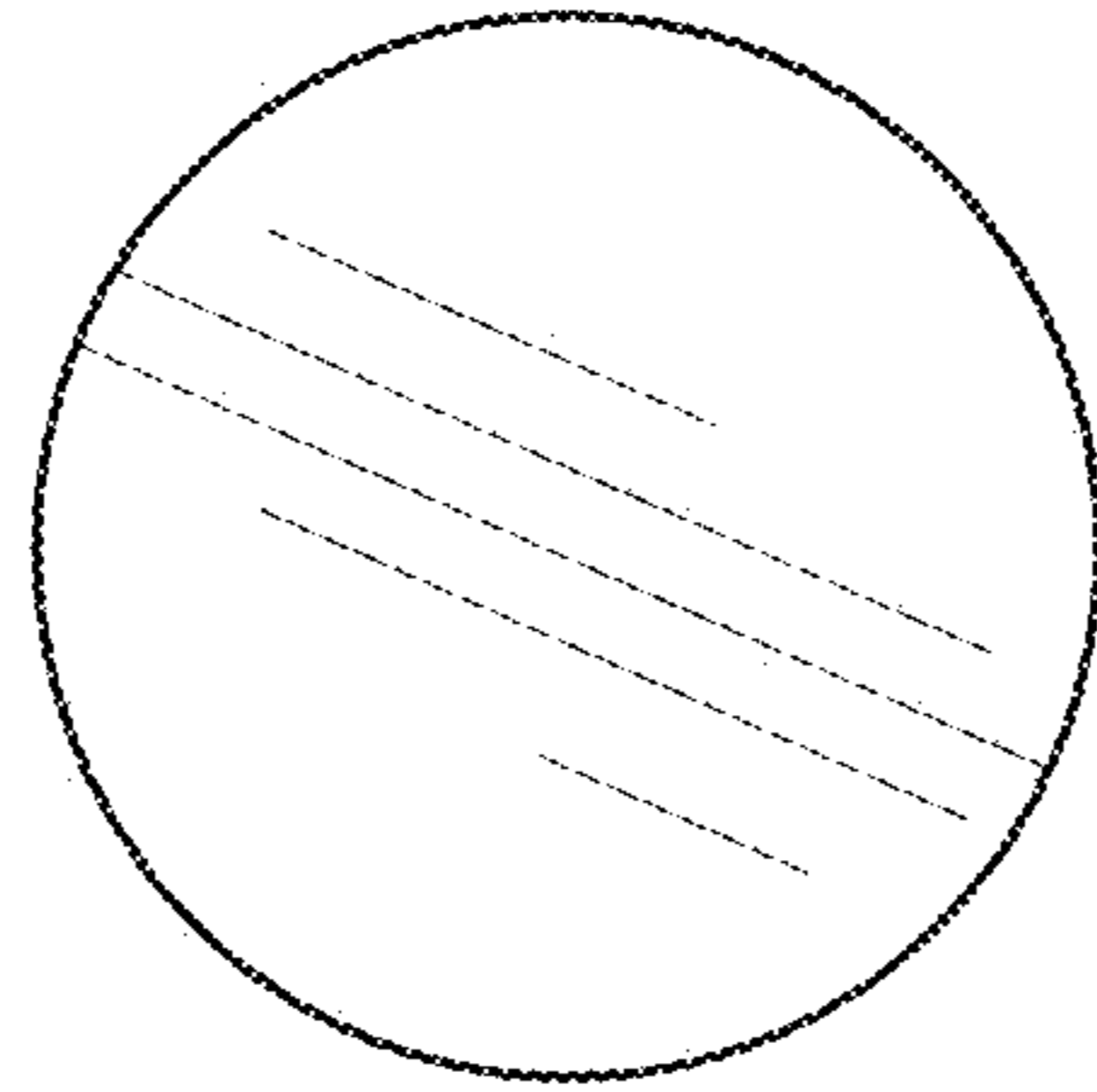


Fig.17