



US00D963486S

(12) **United States Design Patent** (10) **Patent No.:** **US D963,486 S**
Tan et al. (45) **Date of Patent:** **** Sep. 13, 2022**

(54) **SINGLE-DOSE LAUNDRY DETERGENT UNIT**

FOREIGN PATENT DOCUMENTS

(71) Applicant: **The Procter & Gamble Company**, Cincinnati, OH (US)

DE DM101063 5/2018
DE DM101100 5/2018

(Continued)

(72) Inventors: **Wee Hau Tan**, Singapore (SG); **Yaan Thomas Kinally**, Cambridge (GB)

OTHER PUBLICATIONS

(73) Assignee: **The Procter & Gamble Company**, Cincinnati, OH (US)

All Office Actions, U.S. Appl. No. 29/676,330.

(Continued)

(**) Term: **15 Years**

Primary Examiner — Abraham Bahta

(21) Appl. No.: **29/757,068**

(57) **CLAIM**

(22) Filed: **Nov. 3, 2020**

The ornamental design for a single-dose laundry detergent unit, as shown and described.

Related U.S. Application Data

DESCRIPTION

(62) Division of application No. 29/676,330, filed on Jan. 10, 2019, now Pat. No. Des. 904,899.

(51) **LOC (13) Cl.** **09-09**

(52) **U.S. Cl.**
USPC **D9/707; D28/8.1**

(58) **Field of Classification Search**
USPC D9/702-714, 414-416, 428, 421,
D9/424-426, 430-432, 759; D28/4-8,
D28/8.1-8.2

CPC C11D 17/0065-17/0091; C11D
17/00-17/0039; C11D 17/04-17/047
See application file for complete search history.

FIG. 1 is a perspective view of an embodiment of a single-dose laundry detergent unit embodying our new design;

FIG. 2 is a front view thereof;

FIG. 3 is a back view thereof;

FIG. 4 is a right view thereof;

FIG. 5 is a left view thereof;

FIG. 6 is a top view thereof;

FIG. 7 is a bottom view thereof;

FIG. 8 is a perspective view of an embodiment of a single-dose laundry detergent unit embodying our new design;

FIG. 9 is a front view thereof;

FIG. 10 is a back view thereof;

FIG. 11 is a right view thereof;

FIG. 12 is a left view thereof;

FIG. 13 is a top view thereof; and,

FIG. 14 is a bottom view thereof.

Any broken lines shown in the drawings are for illustrative purposes only and form no part of the claimed design.

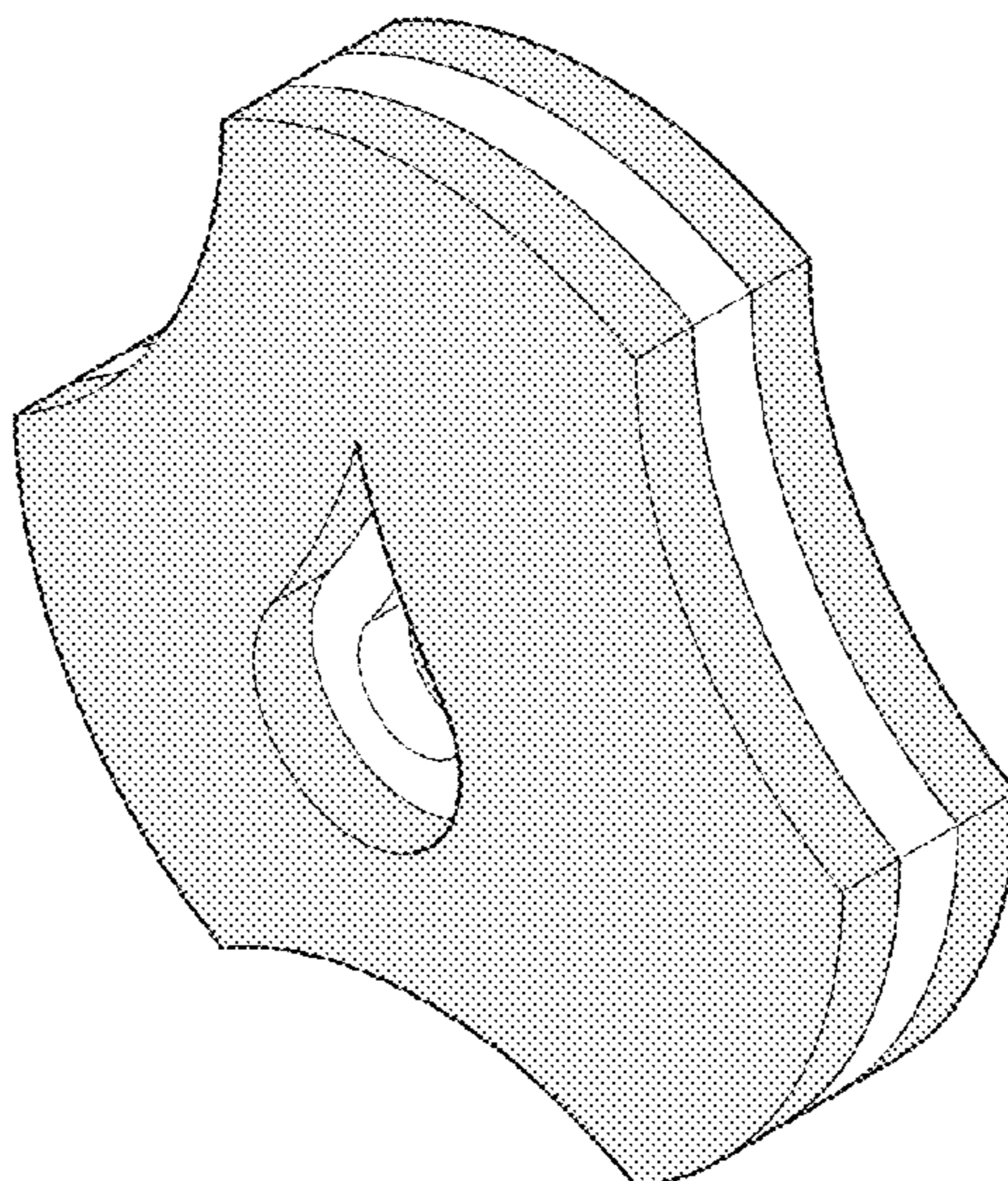
(56) **References Cited**

U.S. PATENT DOCUMENTS

D267,122 S 11/1982 Scotton et al.
D271,817 S 12/1983 Collin
D295,683 S 5/1988 Kirk
D299,275 S 1/1989 Ott
D302,481 S 7/1989 Fawzi
D328,010 S 7/1992 Daenen

(Continued)

1 Claim, 14 Drawing Sheets



(56)

References Cited

U.S. PATENT DOCUMENTS

D334,420 S 3/1993 Copeland et al.
 D353,940 S 1/1995 Ricciarelli
 5,437,407 A 8/1995 Kim
 D392,433 S 3/1998 Norris
 D396,904 S 8/1998 Leu
 D396,907 S 8/1998 Donnelly
 D415,601 S 10/1999 Sherman et al.
 D416,654 S 11/1999 Haynes
 D429,437 S 8/2000 Valenti
 D431,676 S 10/2000 Neergaard
 D437,972 S 2/2001 Harty
 D442,739 S 5/2001 Friesenhahn
 D443,108 S 5/2001 Friesenhahn
 D449,881 S 10/2001 Mock, Sr.
 D473,982 S 4/2003 Clark
 D478,657 S 8/2003 Fontana
 D509,935 S 9/2005 Burt
 D571,515 S 6/2008 Krause
 D577,294 S 9/2008 Suxdorf
 D578,893 S 10/2008 Rosinski et al.
 D581,805 S 12/2008 Suxdorf
 D585,287 S 1/2009 Rosinski et al.
 D588,766 S 3/2009 Dunshee
 D607,163 S 12/2009 Swiderski
 D610,002 S 2/2010 Frank
 D610,753 S 2/2010 Moskowitz
 D613,026 S 4/2010 Fitzpatrick et al.
 D617,843 S 6/2010 Heinke
 D621,275 S 8/2010 Marotti et al.
 D642,911 S 8/2011 Gonzalez
 D646,449 S 10/2011 Cheng
 D648,214 S 11/2011 Gonzalez
 D656,669 S 3/2012 Davis
 D657,910 S 4/2012 Davis
 D659,009 S 5/2012 Boyer et al.
 D671,329 S 11/2012 Van Straten
 D677,335 S 3/2013 Murphy et al.
 D681,270 S 4/2013 Davis
 D686,066 S 7/2013 Macaulay et al.
 D686,067 S 7/2013 Macaulay et al.
 D701,759 S 4/2014 Abel et al.
 D703,532 S 4/2014 Merchant
 D716,650 S 11/2014 Robinson
 D725,479 S 3/2015 Ajichi et al.
 D729,069 S 5/2015 Ajichi et al.
 D743,787 S 11/2015 Hood
 D745,393 S 12/2015 Robinson
 D748,241 S 1/2016 Goode
 D752,439 S 3/2016 Abel et al.
 D753,487 S 4/2016 Wells
 D768,480 S 10/2016 Hood et al.
 D768,947 S 10/2016 Mantelli
 D769,522 S 10/2016 Venet
 D771,899 S 11/2016 Wehling
 D783,799 S 4/2017 Goode
 D783,801 S 4/2017 Goode
 D798,658 S 10/2017 Masifilo
 D799,964 S 10/2017 Abel et al.
 D811,674 S 2/2018 Krause
 D816,414 S 5/2018 Thompson et al.
 D817,588 S 5/2018 Fraser
 D821,645 S 6/2018 Nelemans
 D822,298 S 7/2018 Krause
 D822,927 S 7/2018 Krause
 D827,428 S 9/2018 Torres
 D829,105 S 9/2018 Templeman
 D829,546 S 10/2018 Gagliardo et al.
 D831,496 S 10/2018 Silva

10,089,904 B2 10/2018 Bowen et al.
 D832,715 S 11/2018 Zinovieff et al.
 D832,716 S 11/2018 Zinovieff et al.
 D833,698 S 11/2018 Lyne
 D833,868 S 11/2018 Marotti
 10,262,560 B2 4/2019 Craig et al.
 D850,277 S 6/2019 Murchison et al.
 D851,744 S 6/2019 Huang
 D858,301 S 9/2019 Lowery et al.
 D863,612 S 10/2019 Panagiotis et al.
 D863,957 S 10/2019 Riffe et al.
 D867,130 S 11/2019 Merchant et al.
 D867,717 S 11/2019 Chavez
 D868,953 S 12/2019 Mckendree
 D871,211 S 12/2019 Marcano et al.
 D871,919 S 1/2020 Lowery et al.
 D885,180 S 5/2020 Murchison
 D893,998 S 8/2020 Hinkle et al.
 D893,999 S 8/2020 Hinkle et al.
 D900,603 S 11/2020 Murchison et al.
 D902,710 S 11/2020 Hinkle et al.
 D902,711 S 11/2020 Rees
 D904,899 S 12/2020 Tan
 D905,917 S 12/2020 Kinally
 D906,804 S 1/2021 Rees
 D906,829 S 1/2021 Rees
 D907,486 S 1/2021 Hood et al.
 D910,455 S 2/2021 Lowery et al.
 D911,185 S 2/2021 Tan et al.
 D913,584 S 3/2021 Tan et al.
 D915,478 S 4/2021 De Geyter
 D940,390 S 1/2022 Tan et al.
 D954,559 S * 6/2022 Tan D9/707
 2006/0010634 A1 1/2006 Moser
 2017/0327997 A1 11/2017 Florence

FOREIGN PATENT DOCUMENTS

JP 2000053998 A 2/2000
 JP 1656034 S 3/2020
 JP 1665522 S 8/2020
 JP D1665521 S 8/2020
 JP 1668494 S 9/2020
 JP 1668495 S 9/2020
 WO DM/102259 7/2018
 WO DM/102959 9/2018
 WO DM/201164 1/2019
 WO DM/202753 6/2019

OTHER PUBLICATIONS

All Office Actions, U.S. Appl. No. 29/683,553.
 All Office Actions, U.S. Appl. No. 29/697,464.
 Polymeric Foam, Urethane Scouring Pad, Graingers website 2020, <https://www.grainger.com/product/6NE88?gclid=CjOKCQjwhtT1BRCiARIsAGIY51K0thz...> site visited May 8, 2020.
 All Office Actions, U.S. Appl. No. 29/717,567.
 All Office Actions, U.S. Appl. No. 29/717,570.
 All Office Actions; U.S. Appl. No. 29/727,267.
 All Office Actions; U.S. Appl. No. 29/728,177.
 U.S. Appl. No. 29/697,464, filed Jul. 9, 2019, Wee Hau Tan et al.
 U.S. Appl. No. 29/717,567, filed Dec. 18, 2019, Suli Eunice Hong et al.
 U.S. Appl. No. 29/717,570, filed Dec. 18, 2019, Suli Eunice Hong et al.
 U.S. Appl. No. 29/727,267, filed Mar. 10, 2020, Wee Hau Tan et al.
 U.S. Appl. No. 29/728,177, filed Mar. 17, 2020, Wee Hau Tan et al.

* cited by examiner

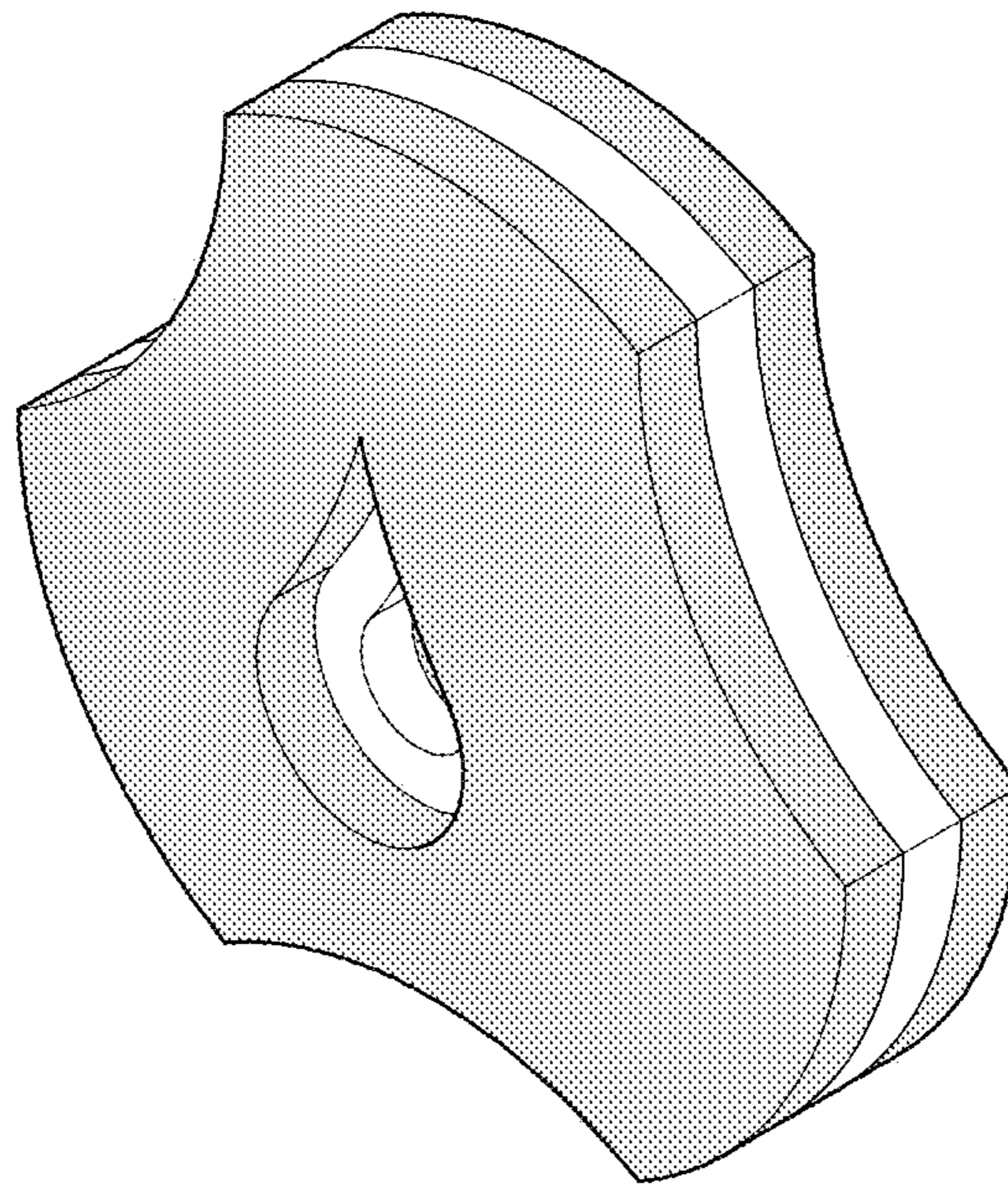


FIG. 1

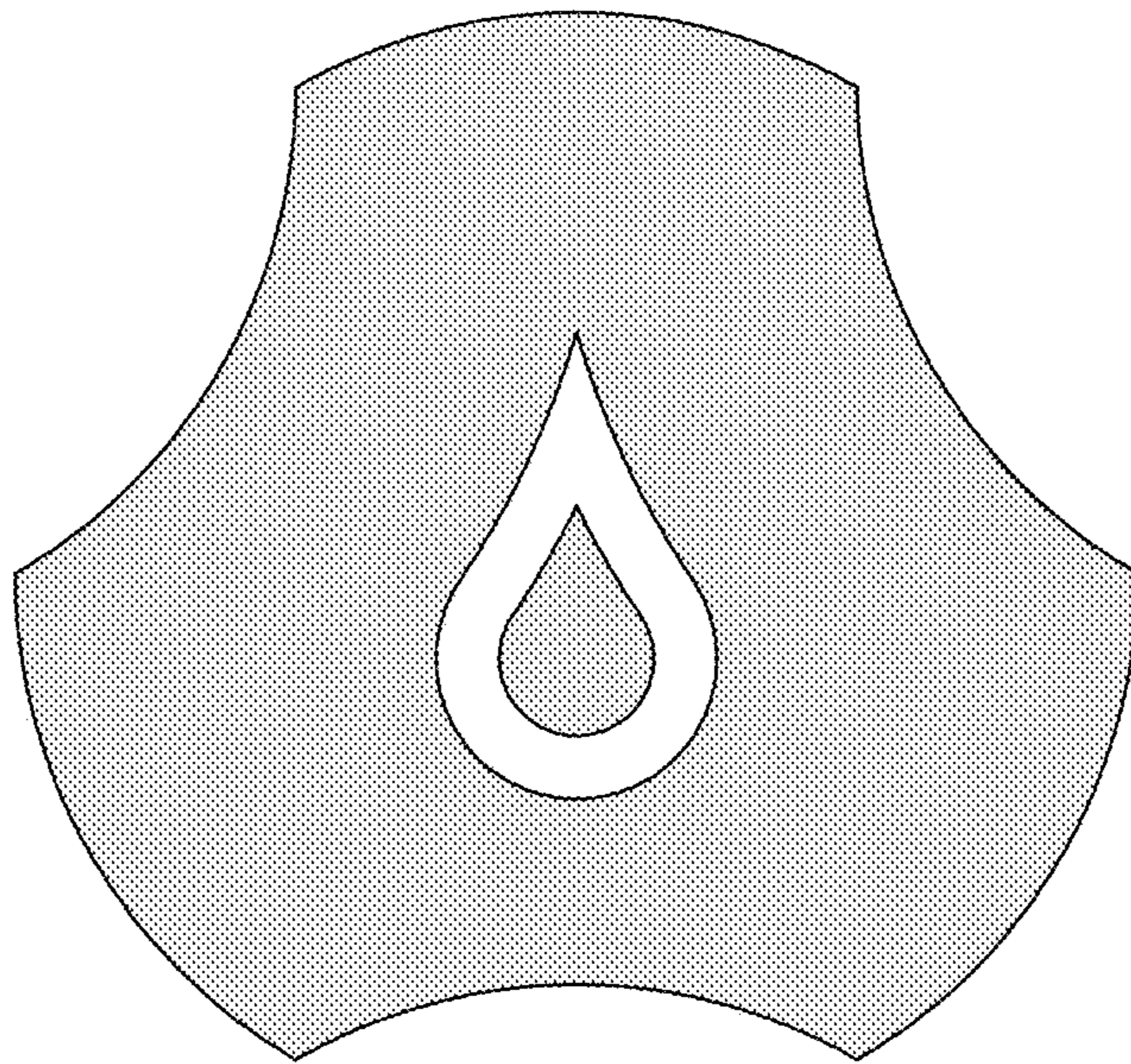


FIG. 2

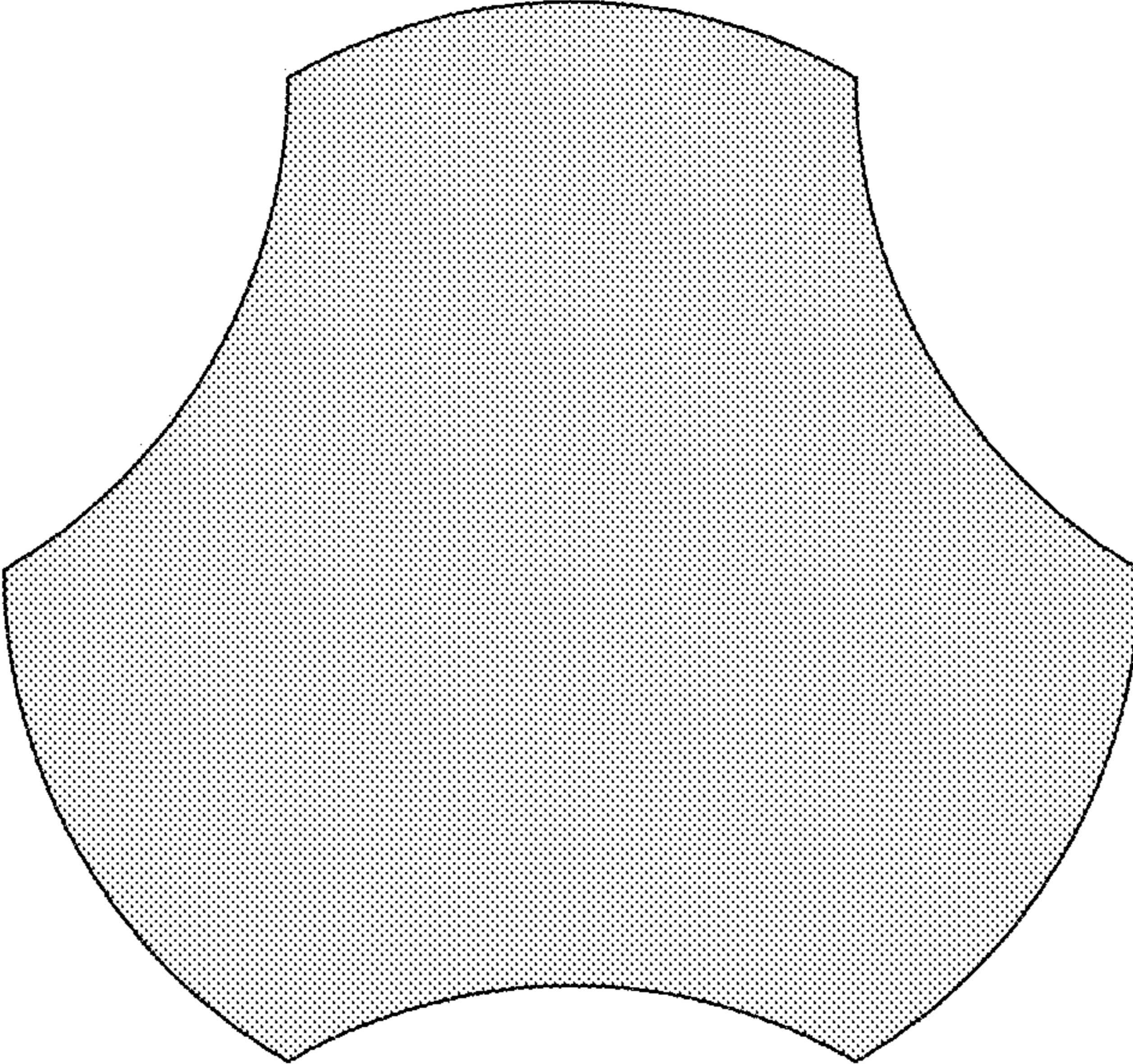


FIG. 3

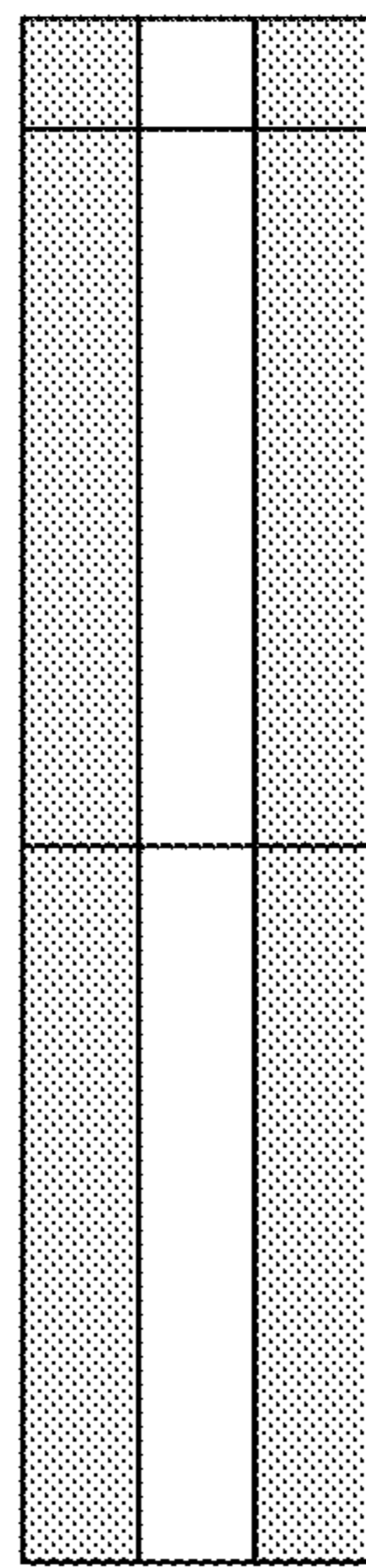


FIG. 4

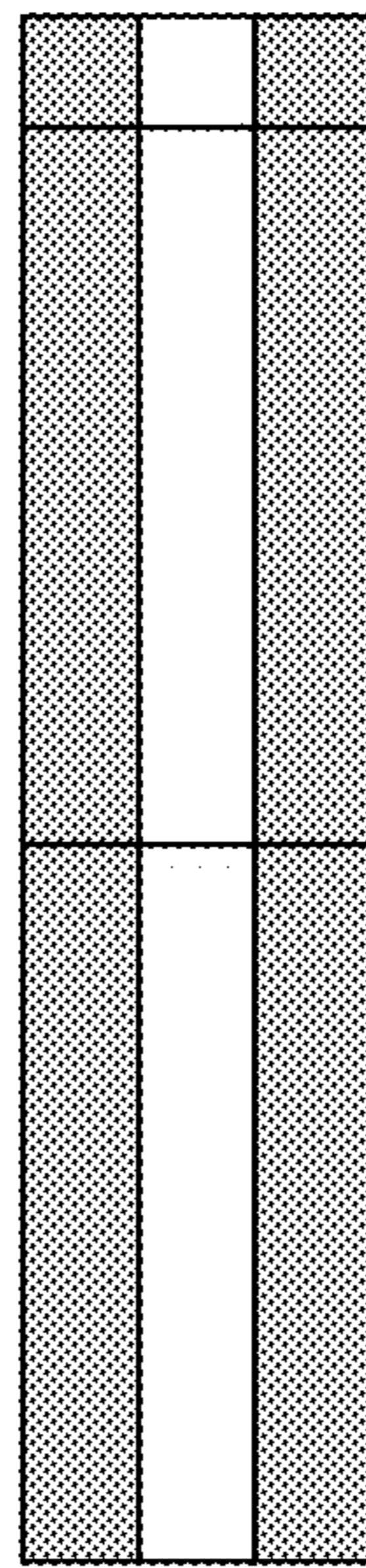


FIG. 5



FIG. 6



FIG. 7

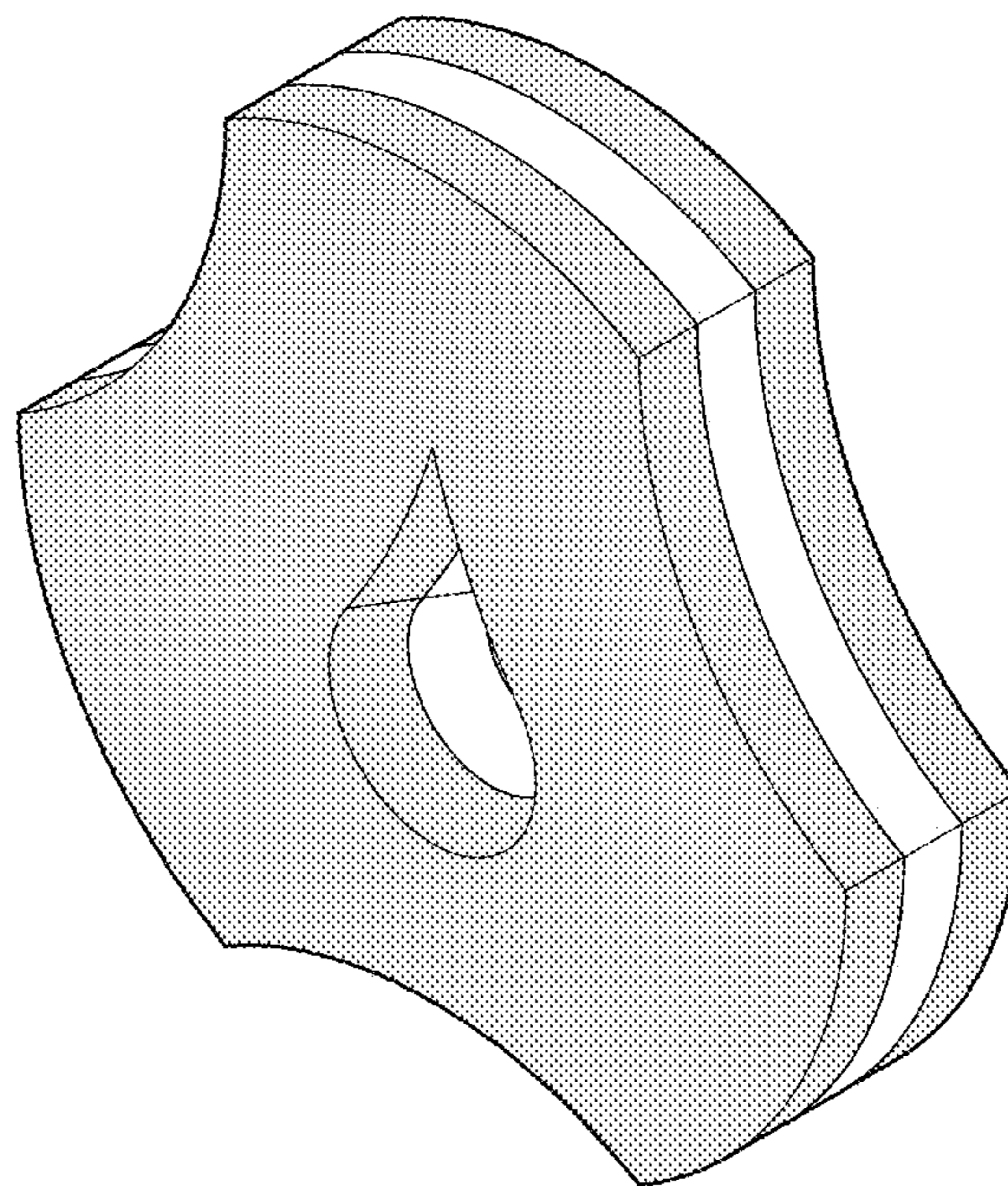


FIG. 8

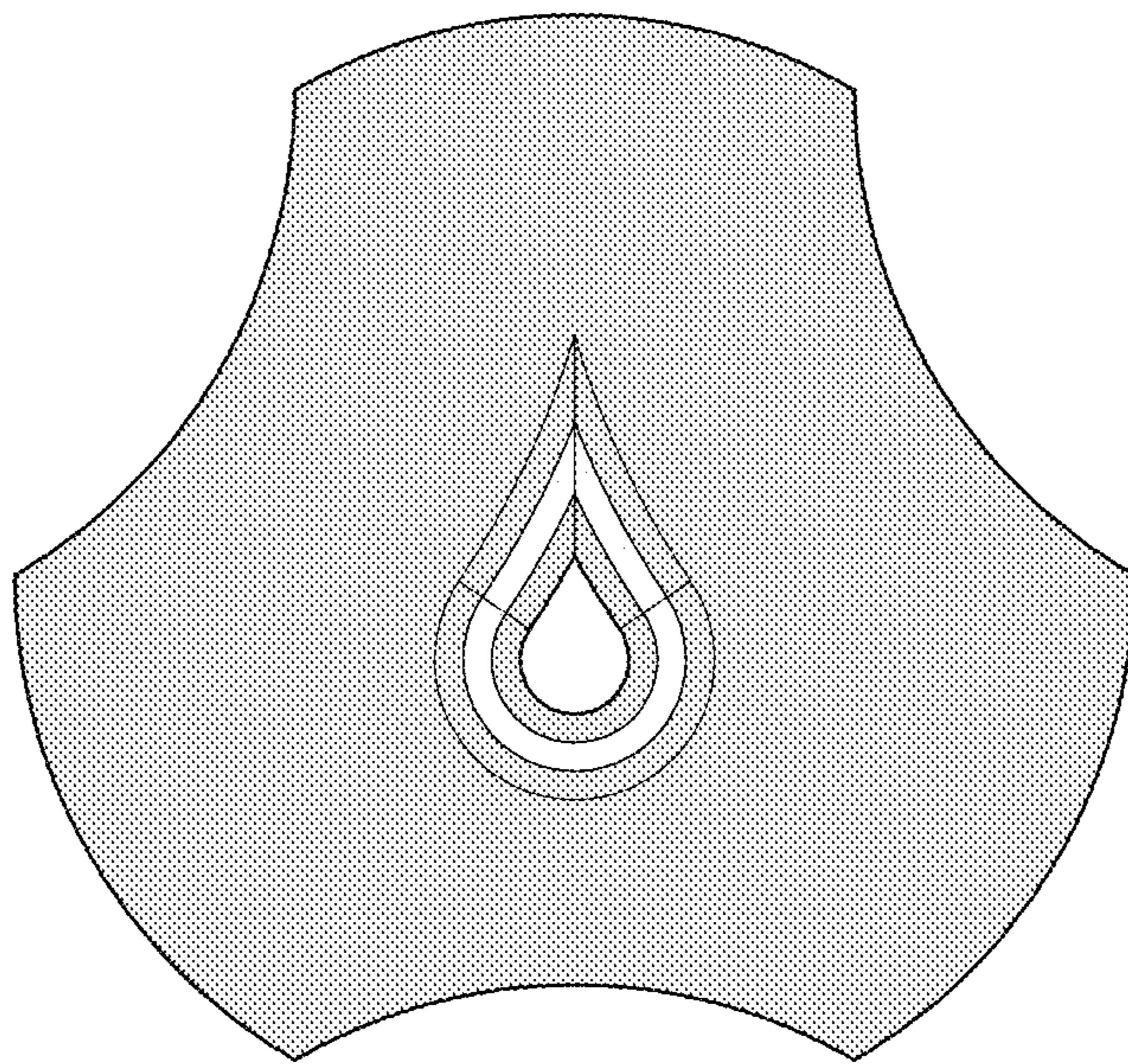


FIG. 9

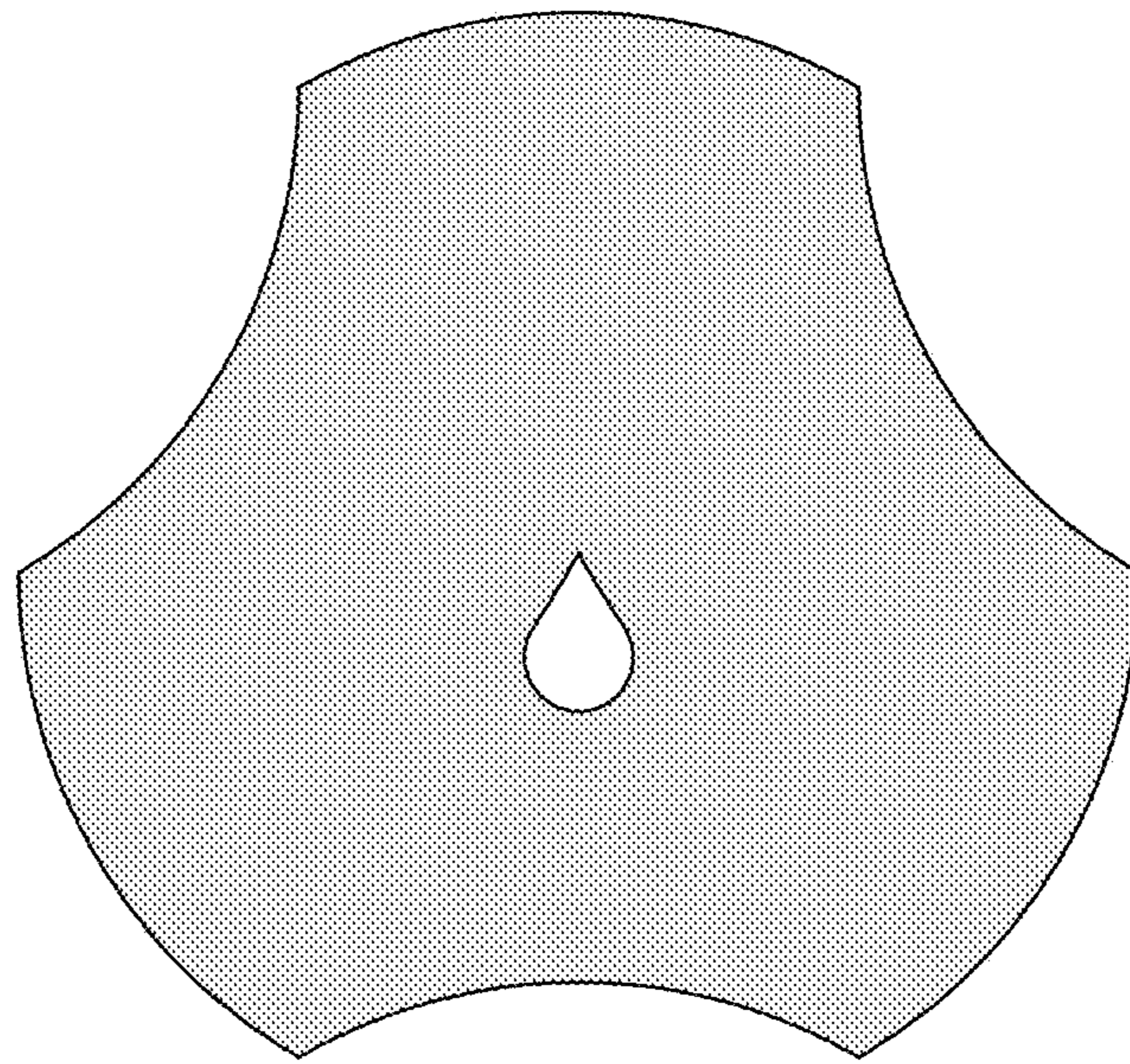


FIG. 10

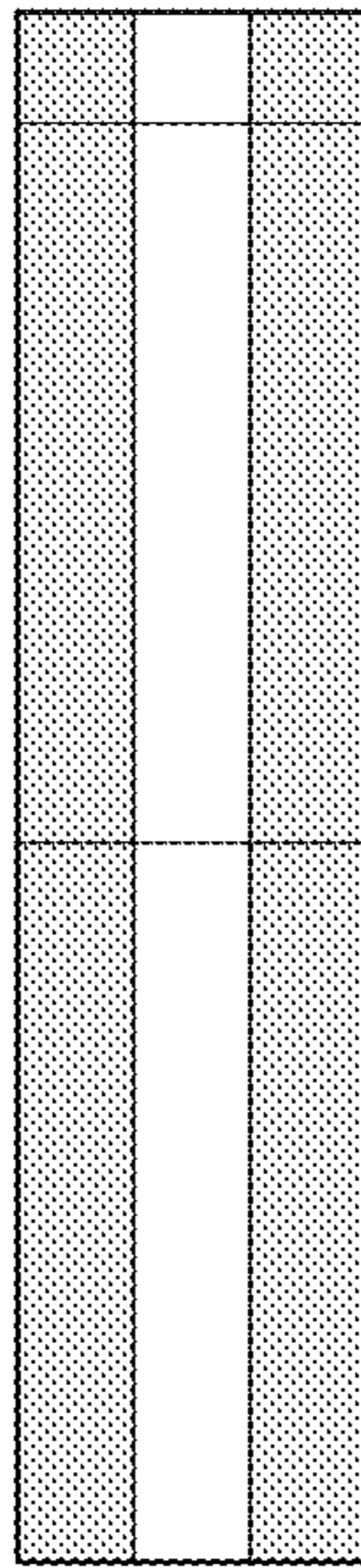


FIG. 11

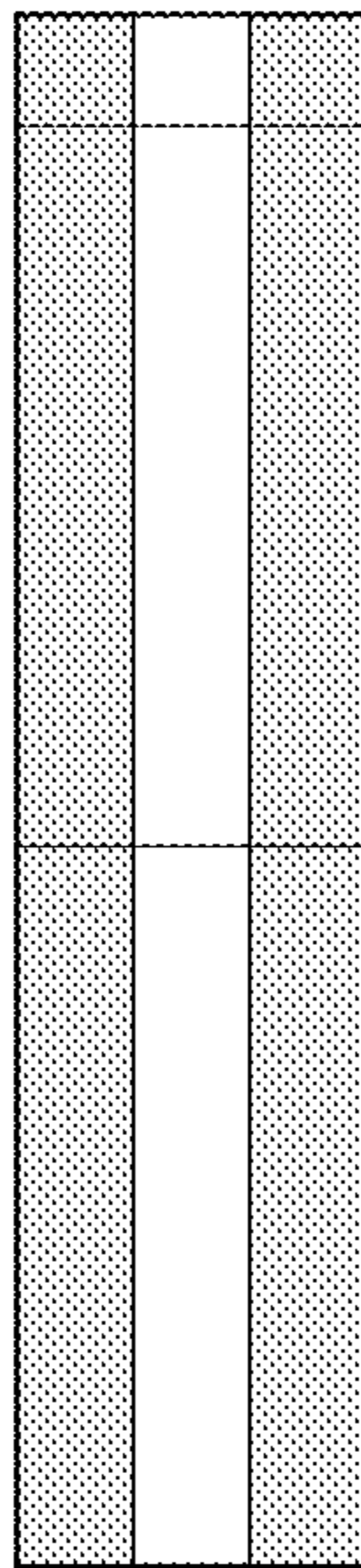


FIG. 12



FIG. 13

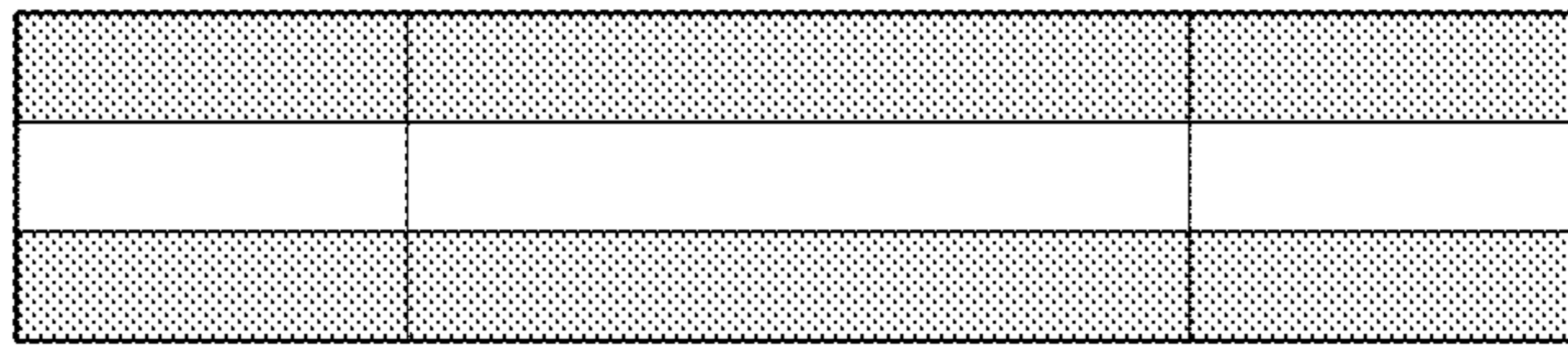


FIG. 14