



US00D963480S

(12) **United States Design Patent**
Kataoka

(10) **Patent No.:** **US D963,480 S**
(45) **Date of Patent:** **** Sep. 13, 2022**

(54) **BOTTLE**

(71) Applicant: **SUNTORY HOLDINGS LIMITED,**
Osaka (JP)

(72) Inventor: **Keisuke Kataoka,** Tokyo (JP)

(73) Assignee: **SUNTORY HOLDINGS LIMITED,**
Osaka (JP)

(**) Term: **15 Years**

(21) Appl. No.: **29/731,962**

(22) Filed: **Apr. 20, 2020**

(30) **Foreign Application Priority Data**

Nov. 19, 2019 (JP) 2019-025625

(51) **LOC (13) Cl.** **09-01**

(52) **U.S. Cl.**

USPC **D9/559; D9/520; D9/563; D9/574**

(58) **Field of Classification Search**

USPC D9/516, 519, 544–546, 549, 554, 559,
D9/560, 563, 564, 572, 632; D28/91.1

CPC B65D 1/02; B65D 1/0223; B65D 1/023;
B65D 1/0261; B65D 2501/0009; B65D
2501/0081; B65D 2501/009

See application file for complete search history.

(56) **References Cited**

U.S. PATENT DOCUMENTS

D76,180 S	8/1928	Coty	
D86,013 S	1/1932	Wagner	
D263,683 S	4/1982	Mansau	
D306,399 S *	3/1990	Rumney D9/559
D500,673 S	1/2005	Duboeuf	
D542,136 S *	5/2007	Lilico D9/520
D583,247 S	12/2008	DeFina	

(Continued)

FOREIGN PATENT DOCUMENTS

AU	320975	9/2008
AU	337731	7/2011

(Continued)

OTHER PUBLICATIONS

Notice of Allowance in Taiwan Counterpart Patent Appl. No. 106304616, dated Mar. 16, 2018, along with an English translation thereof.

Notice of Allowance in counterpart Taiwanese Design Patent Application No. 109302061, dated Oct. 26, 2020 (with English translation).

(Continued)

Primary Examiner — Dana Meyrow

(74) *Attorney, Agent, or Firm* — Greenblum & Bernstein, P.L.C.

(57) **CLAIM**

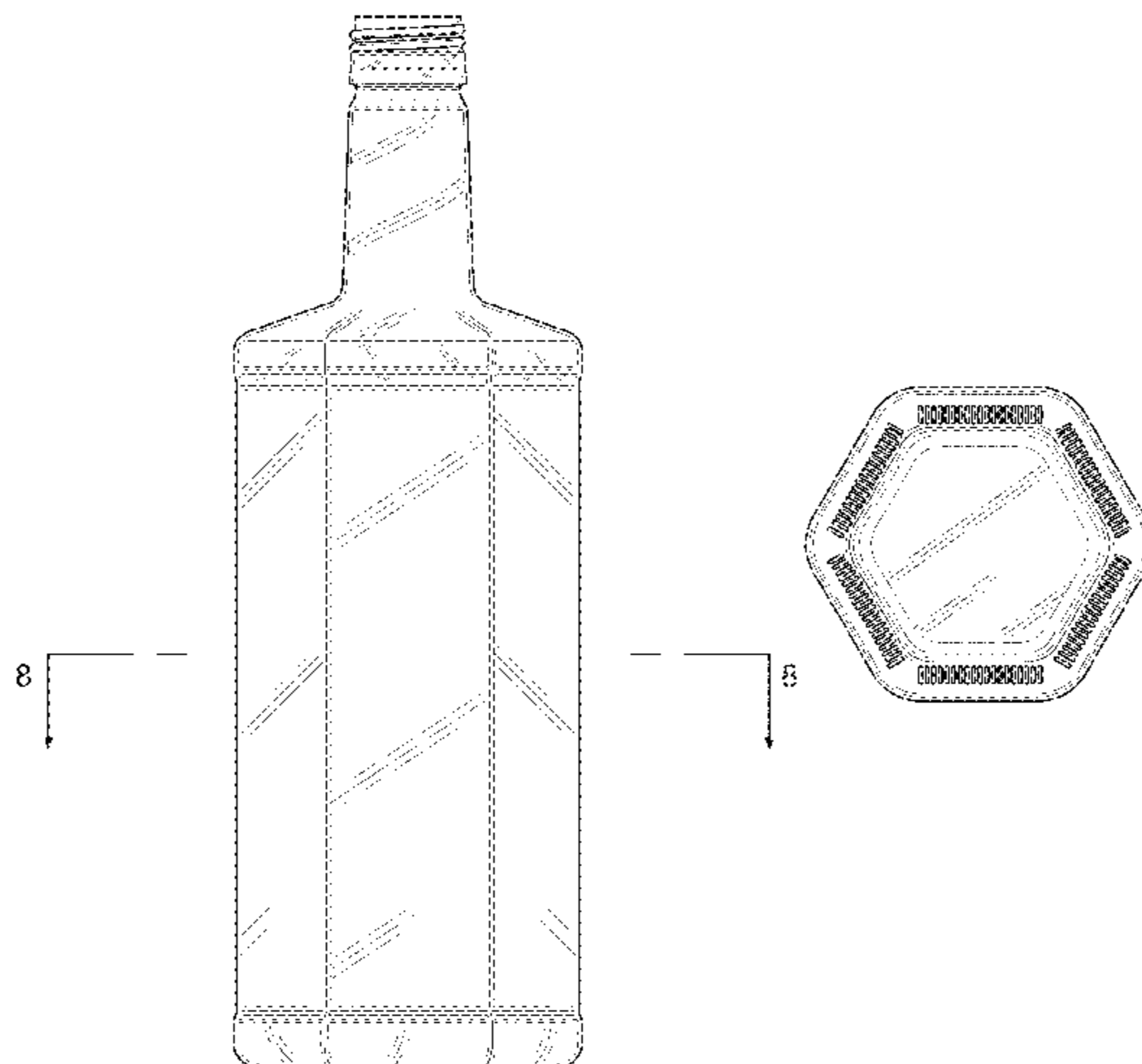
I claim the ornamental design for a bottle, as shown and described.

DESCRIPTION

FIG. 1 is a top, front, and right side perspective view of a bottle, showing my new design;
FIG. 2 is a front elevational view thereof;
FIG. 3 is a rear elevational view thereof;
FIG. 4 is a right side elevational view thereof;
FIG. 5 is a left side elevational view thereof;
FIG. 6 is a top plan view thereof;
FIG. 7 is a bottom plan view thereof;
FIG. 8 is a cross-sectional view thereof, taken along line 8-8 of FIG. 2; and,
FIG. 9 is a cross-sectional view thereof, taken along line 9-9 of FIG. 6.

The bottle is entirely transparent, and the oblique line shading in the drawings indicates the transparency of this design. The opposing side details of the bottle as they would be seen through the transparent sidewall material have been omitted for ease of understanding. The thin lines shown in the drawings indicate the three-dimensional surface shape of the bottle.

1 Claim, 8 Drawing Sheets



(56)

References Cited

U.S. PATENT DOCUMENTS

D604,617 S	11/2009	Shearsby et al.	
D642,930 S *	8/2011	Premo	D9/559
D661,199 S *	6/2012	Bennett	D9/558
D704,561 S	5/2014	Manoel	
D735,581 S *	8/2015	Eble	D9/569
D763,087 S	8/2016	Hirst	
D764,922 S	8/2016	Eble	
D791,602 S	7/2017	Hainaut	
D810,577 S *	2/2018	Nguyen	D9/563
D829,103 S	9/2018	Abadinsky	
D832,714 S	11/2018	Matauch	
D836,446 S *	12/2018	Murac	D9/559
D840,241 S	2/2019	Mandelbaum	
D846,993 S *	4/2019	Nguyen	D9/546
D851,495 S *	6/2019	Kataoka	D9/563
D867,153 S *	11/2019	Hammond	D9/559
D896,655 S *	9/2020	Hudson	D9/559
D940,561 S *	1/2022	Servaire	D9/520
2021/0292037 A1 *	9/2021	Kheradmand	B65D 23/102

FOREIGN PATENT DOCUMENTS

AU	347050	2/2013
AU	347051	2/2013
AU	347052	2/2013
AU	348505	5/2013
AU	360809	3/2015
AU	201510309	3/2015
AU	201714560	10/2017
AU	201812610	6/2018
AU	201812612	6/2018
AU	201812613	6/2018
CA	139756	3/2012
CA	150912	2/2014
CA	160078	12/2015
CA	165865	12/2015
CA	164136	4/2016
CN	301316863 S	8/2010
CN	301378932 S	11/2010
CN	301416080 S	12/2010
CN	301424237 S	12/2010
CN	302187435 S	11/2012
CN	302740257 S	2/2014
CN	302740277 S	2/2014
CN	302840451 S	6/2014
CN	302980015 S	10/2014
CN	302980017 S	10/2014
CN	303066811 S	1/2015
CN	303539360 S	1/2016
CN	304226805 S	8/2017
CN	304917485 S	11/2018
EM	1452999-3	9/2016
EM	5828290-9	11/2018
EP	000189402-0001	8/2004
EP	000345434-0001	5/2005
EP	002233775-0001	5/2013
EP	002233775-0002	5/2013
EP	002233775-0003	5/2013
EP	001373484-0004	6/2013
EP	002765107-0001	11/2015
EP	003073832-0001	4/2016
ES	10147191	4/2000
FR	17105-001	8/1928
FR	22877-001	10/1932
FR	23063-001	11/1932
FR	57371-001	12/1957
FR	24319-001	10/1993
GB	6034134	4/2018
HK	0100458.1	8/2001
HK	310952.3M002	6/2003
HK	0900369.0M002	3/2009
HK	0901603.9M001	9/2009
HK	1200630.0M001	4/2012
HK	1202354.5	11/2012
HK	1301947.4	10/2013

HK	1400315.4	2/2014
HK	1500651.7M001	3/2015
HK	1501977.9M001	9/2015
JP	0648123	4/1985
JP	1177823	6/2003
JP	1242134	6/2005
JP	1270592	5/2006
JP	1402399	11/2010
JP	1441294	5/2012
JP	1389773	6/2013
JP	1470852	6/2013
JP	1524790	6/2015
JP	1530908	8/2015
JP	1546394	3/2016
JP	1597882	2/2018
JP	D1598150	2/2018
JP	D1598151	2/2018
JP	2019-025625	11/2019
JP	2019-025626	11/2019
KR	30-0338884	11/2003
KR	03-0515304	12/2008
KR	03-0540321	9/2009
KR	03-07497910000	6/2014
KR	30-08294440000	12/2015
MY	12-00738-0207	6/2012
MY	12-01612-0101	11/2012
MY	14-00738-0101	6/2014
NZ	421287	3/2017
PH	3-2006-000444	2/2008
PH	3-2008-000469	10/2008
PH	3-2015-000152	3/2015
SG	D2009860 Z	2/2010
SG	30201602816X	9/2016
TH	0802002555	9/2010
TH	1402000971	1/2016
TW	576650	2/2004
TW	D121991	3/2008
TW	D125286	10/2008
TW	D128622	5/2009
TW	D129305	6/2009
TW	D132614	12/2009
TW	D133254	2/2010
TW	D135582	7/2010
TW	D136312	8/2010
TW	D140492	5/2011
TW	D142376	9/2011
TW	D142587	9/2011
TW	D148679	8/2012
TW	D151585	2/2013
TW	D152236	3/2013
TW	D152238	3/2013
TW	D152432	3/2013
TW	D152433	3/2013
TW	D152434	3/2013
TW	D152616	4/2013
TW	D155025	8/2013
TW	D155026	8/2013
TW	D155030	8/2013
TW	D155730	9/2013
TW	D156111	9/2013
TW	D158184	1/2014
TW	D159611	4/2014
TW	D161617	7/2014
TW	D162030	8/2014
TW	D166454	3/2015
TW	D169158	7/2015
TW	D171646	11/2015
TW	D171647	11/2015
TW	D171855	11/2015
TW	D171857	11/2015
TW	D173397	2/2016
TW	D178296	9/2016
TW	D184439	7/2017
TW	D191361	7/2018
TW	D191362	7/2018
TW	D191363	7/2018
WO	DM/009059-001	10/1987
WO	DM/016253-001	5/1990
WO	DM/024327-009	1/1993

(56)

References Cited

FOREIGN PATENT DOCUMENTS

WO	DM/070110	11/2008
WO	DM/076205-001	6/2011
WO	DM/080891-003	5/2013
WO	DM/081710-001	12/2013
WO	DM/087346	9/2015
WO	DM/094934	1/2017

OTHER PUBLICATIONS

“Bottles & Bygones,” accessible at <http://mikesheridan.tripod.com/poison5.htm>, accessed Jun. 21, 2019.

Internet Bottle, accessible at <https://www.saverglass.com/en/empire-h-75-cl-plate-white>, accessed Jun. 21, 2019.

Internet Bottle, accessible at <https://www.totalwine.com/spirits/gin/new-amsterdam-straight-gin/p/16925750?s=402&igrules=true>, accessed Jun. 21, 2019.

Internet Bottle, accessible at <https://www.onbuy.com/gb/spirits/lambs-spice-rum-70-cl~c7925~p7636985/>, accessed Jun. 21, 2019.

Internet Bottle, accessible at <https://therumhowlerblog.com/tag/lambs-rum/>, accessed Jun. 21, 2019.

Internet Bottle, accessible at <https://www.crownwineandspirits.com/booths-cask-mellowed-dry-gin-750ml/>, accessed Jun. 21, 2019.

Internet Bottle, accessible at https://www.alibaba.com/product-detail/wholesale-200ml-perfume-bottle-fancy-hexagon_60349216783.html, accessed Jun. 21, 2019.

Internet Bottle, accessible at https://www.alibaba.com/product-detail/500ml-750ml-hexagon-shape-glass-wine_60706157393.html, accessed Jun. 21, 2019.

Internet Bottle, accessible at <https://www.worthpoint.com/worthopedia/beemans-great-mountain-syrup-bottle-1796476421>, accessed Jun. 21, 2019.

Internet Bottle, accessible at <https://www.deluxe.com/products/promotional/hexagon-40oz-tritan-bottle/28146/>, accessed Jun. 21, 2019.

* cited by examiner

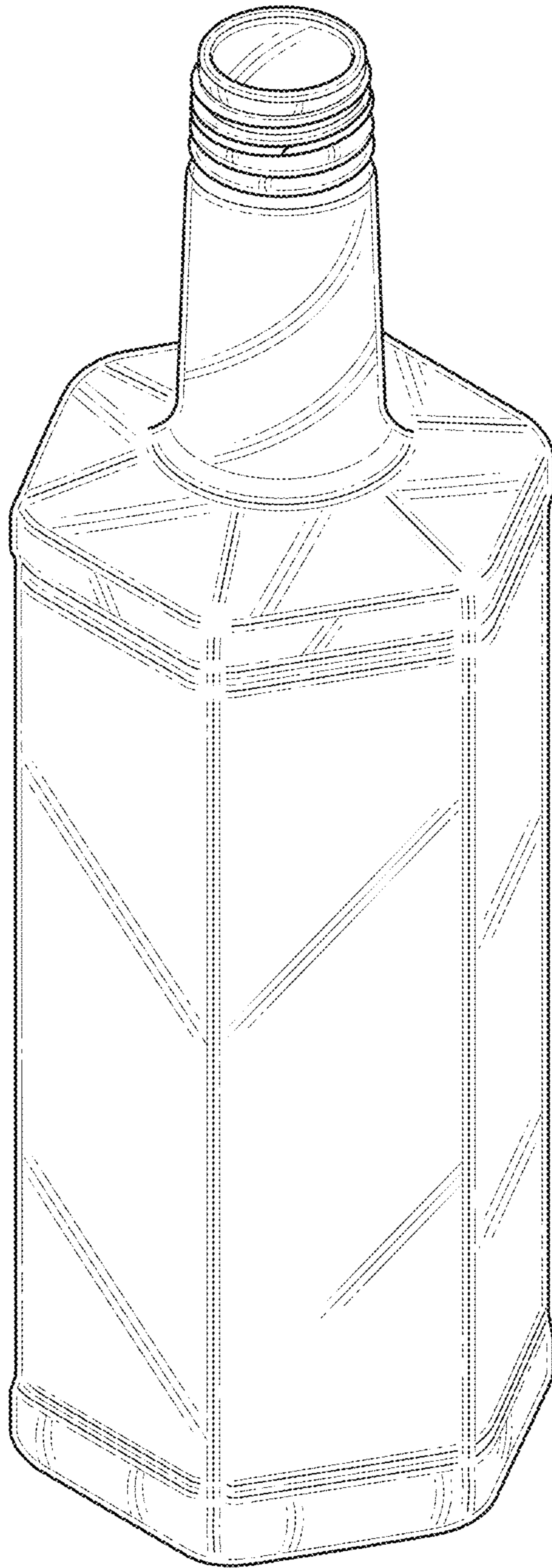


FIG. 1

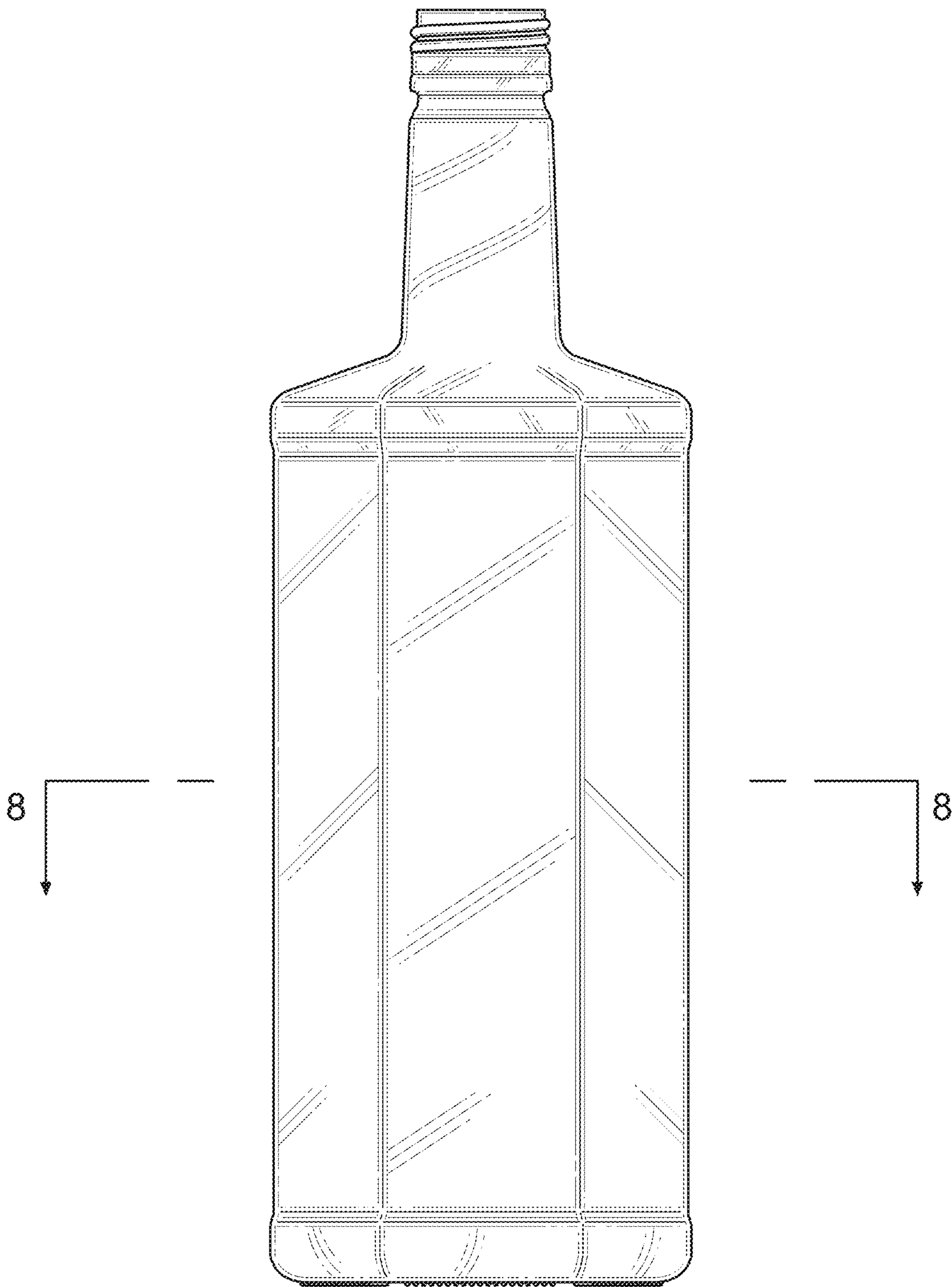


FIG. 2

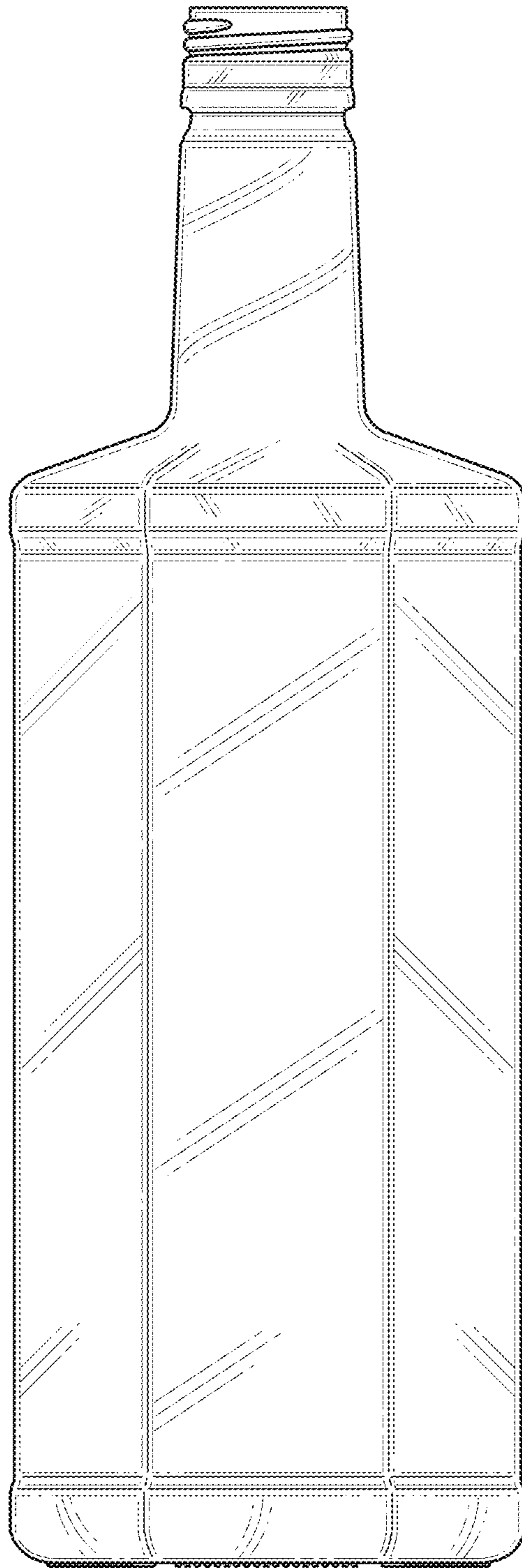


FIG. 3

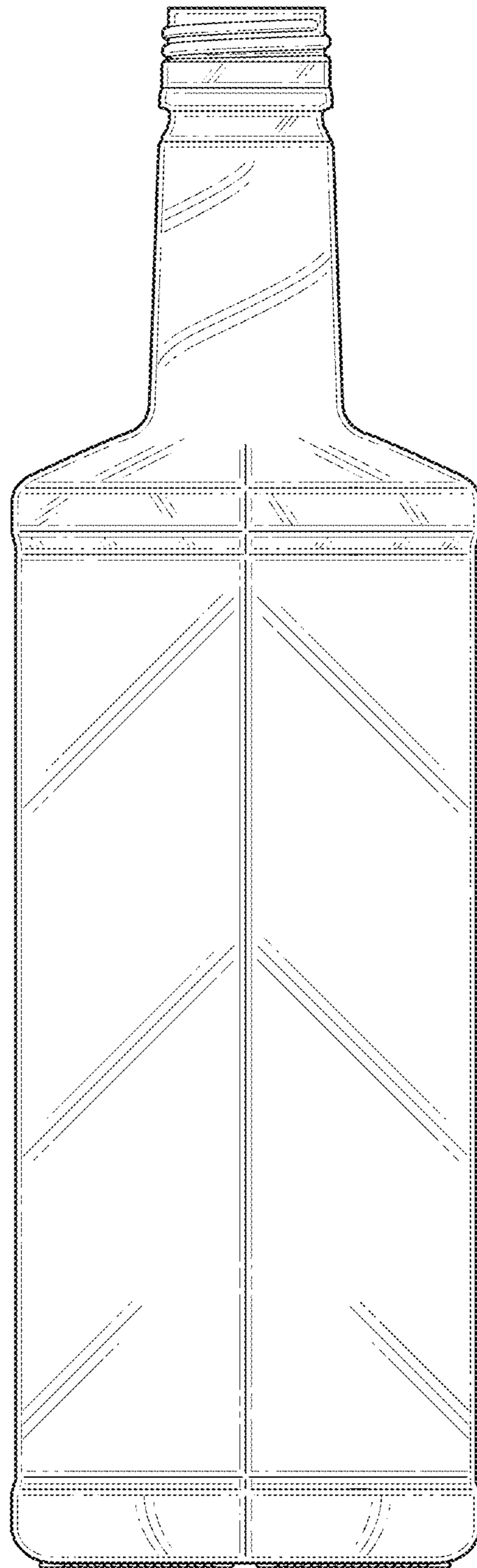


FIG. 4

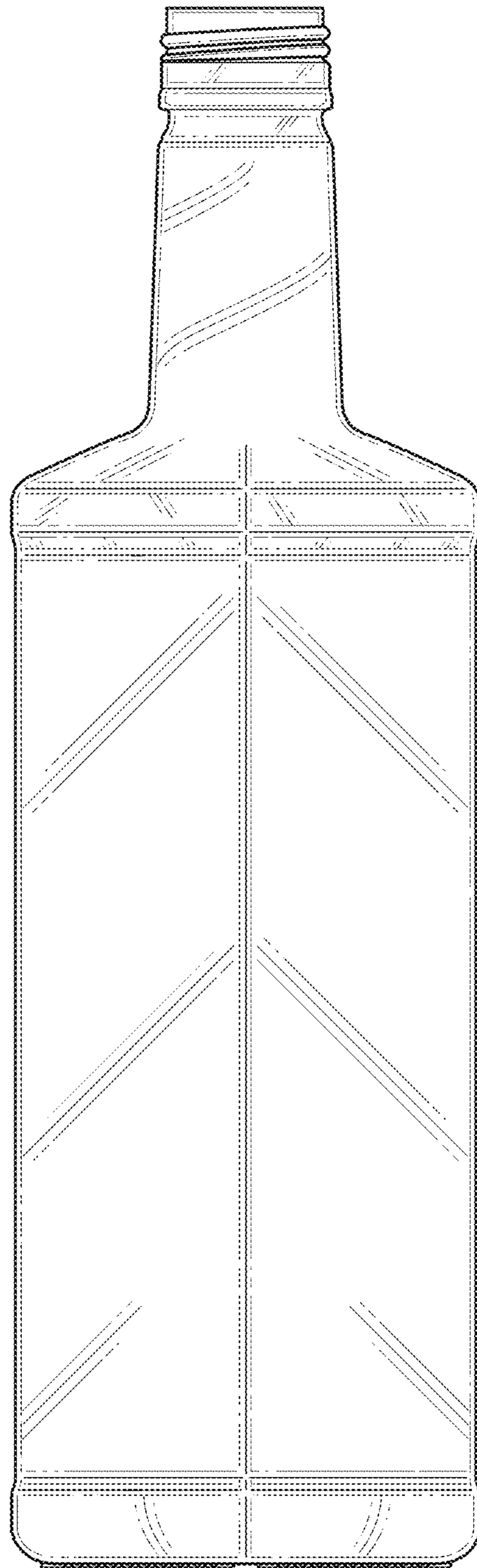


FIG. 5

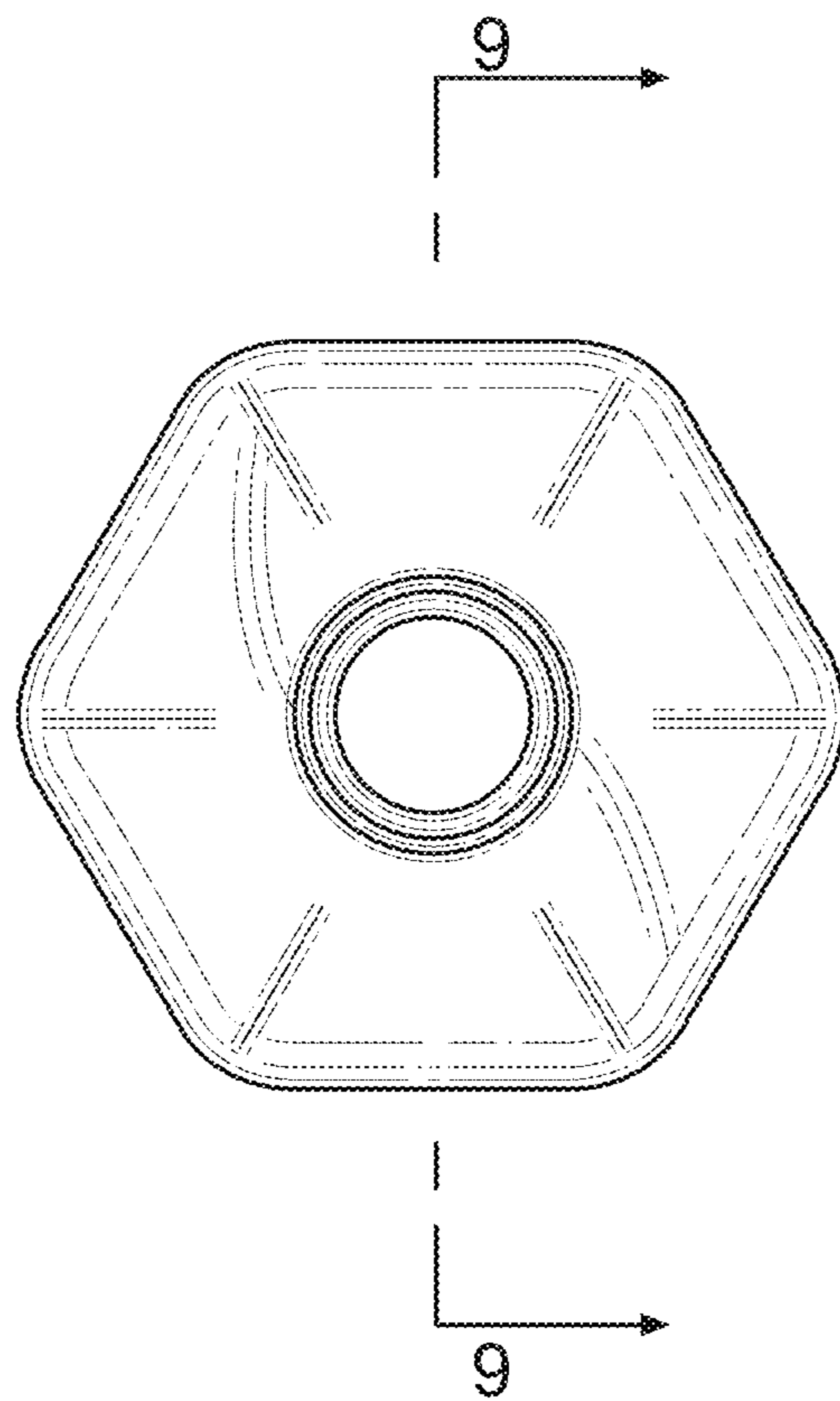


FIG. 6

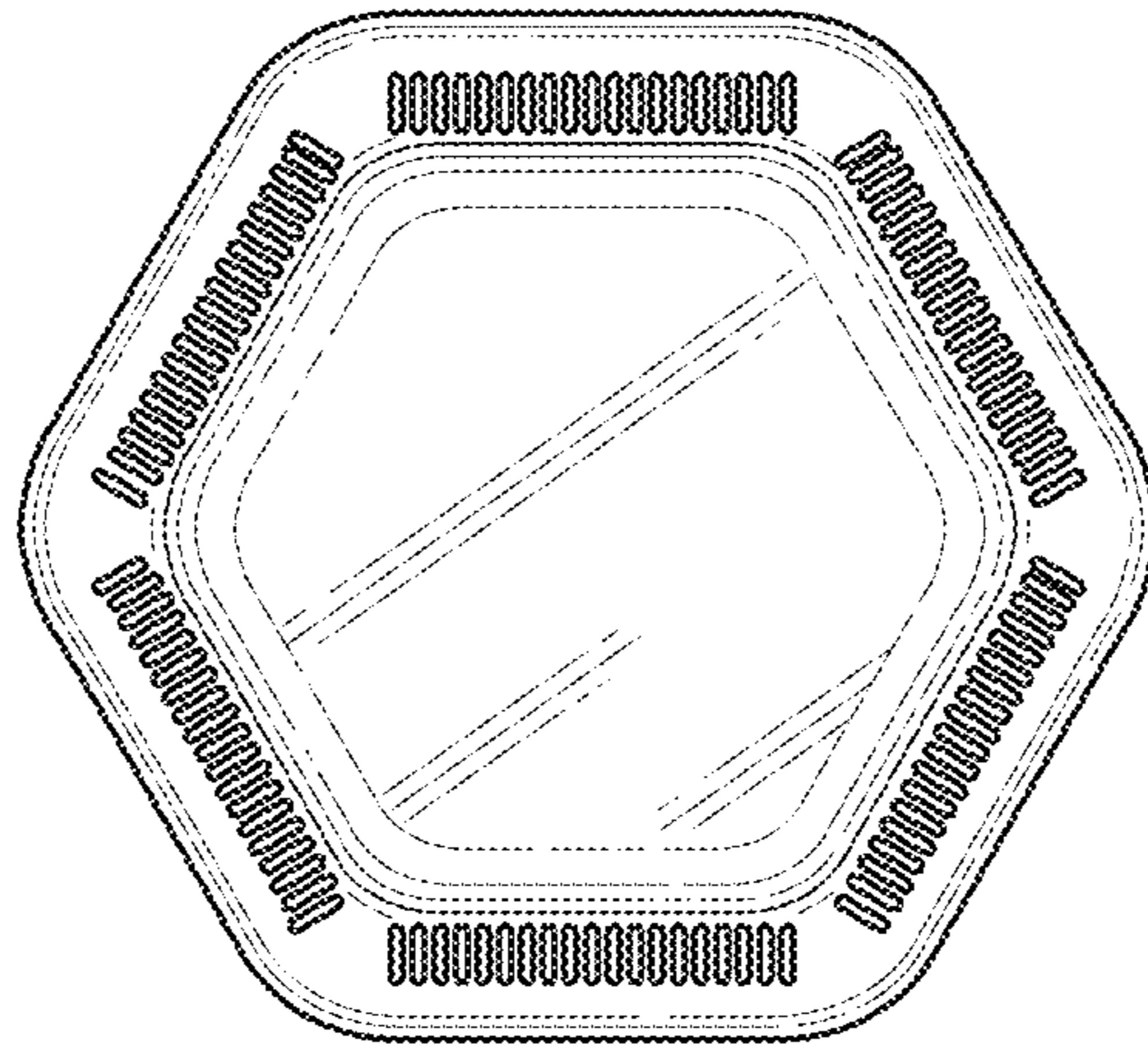


FIG. 7

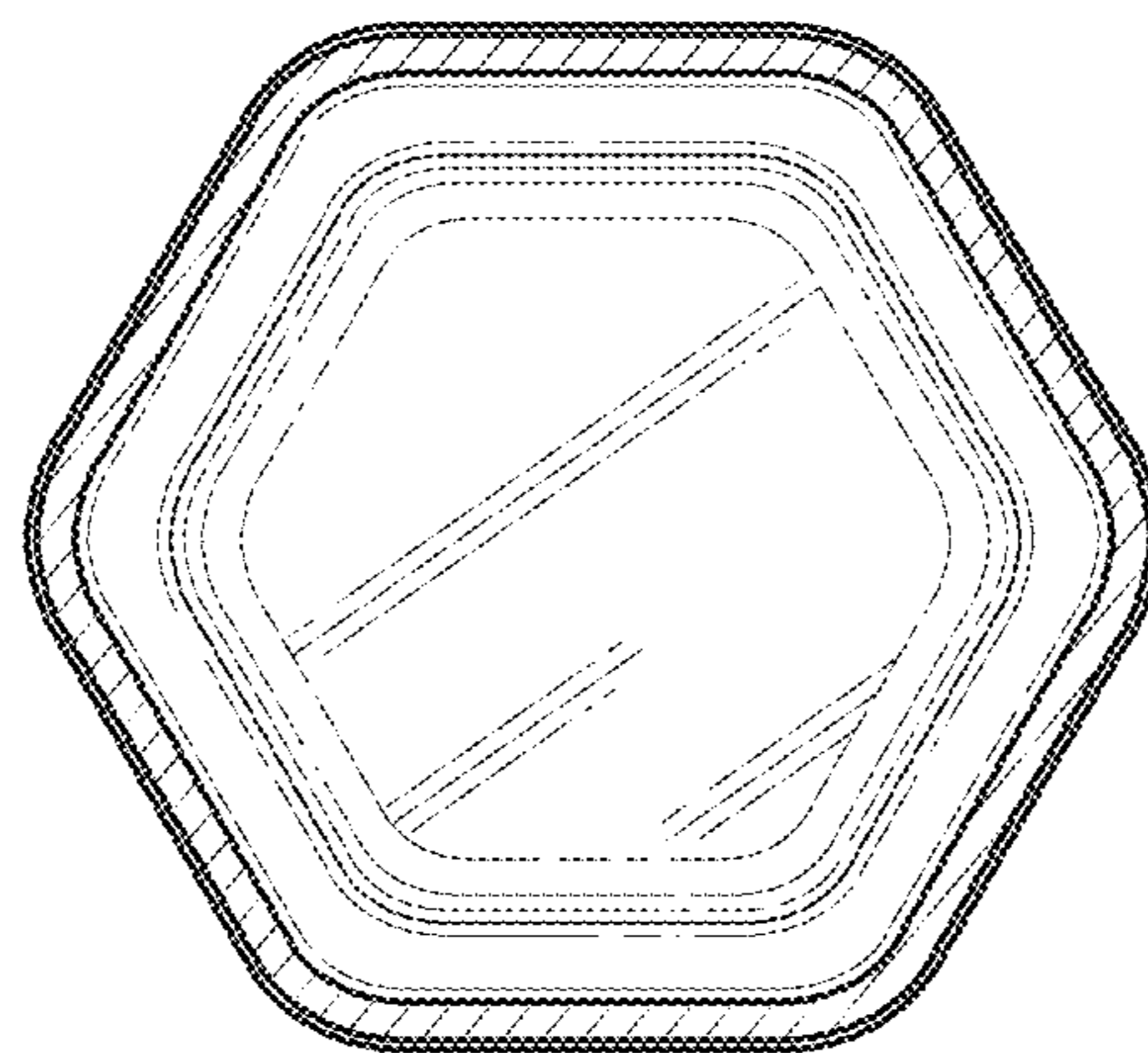


FIG. 8

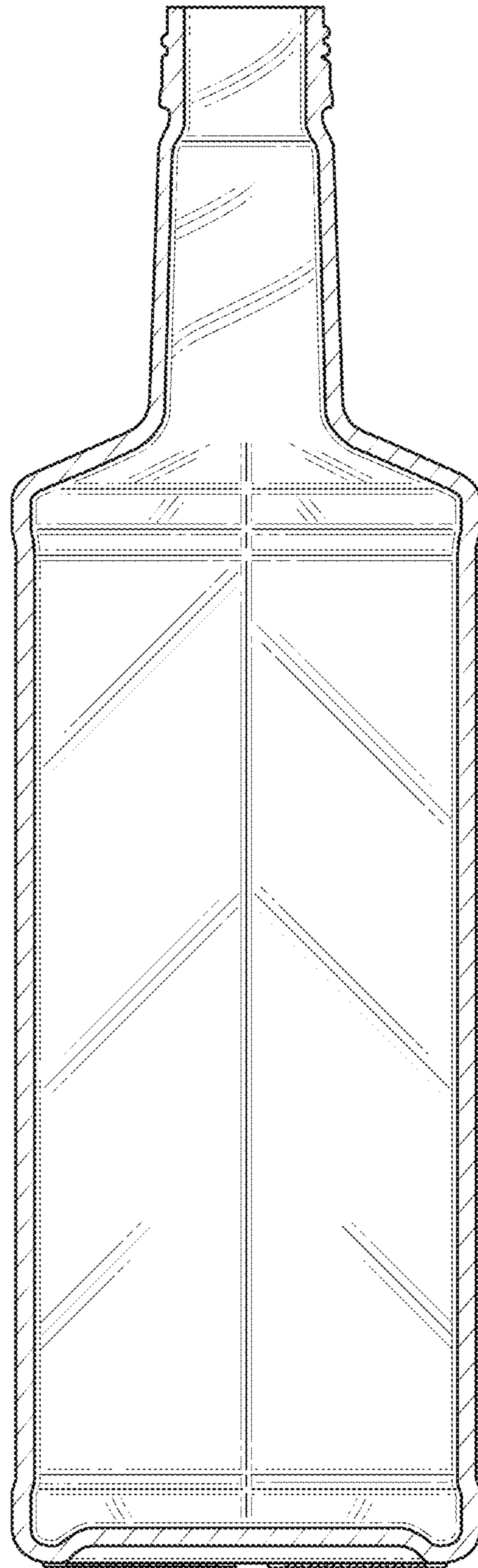


FIG. 9