



US00D963478S

(12) **United States Design Patent** (10) **Patent No.:** **US D963,478 S**
Sterling (45) **Date of Patent:** **** Sep. 13, 2022**

(54) **CONTAINER LID**

(71) Applicant: **Henkel AG & Co. KGaA**, Düsseldorf (DE)
(72) Inventor: **Daniel Peter Sterling**, Fairfield, CT (US)
(73) Assignee: **Henkel AG & Co. KGaA**, Duesseldorf (DE)

(**) Term: **15 Years**

(21) Appl. No.: **29/756,820**

(22) Filed: **Oct. 30, 2020**

(51) **LOC (13) Cl.** **09-07**

(52) **U.S. Cl.**
USPC **D9/452**

(58) **Field of Classification Search**
USPC D3/17, 29; D7/368, 387, 389, 391, D7/392.1, 396.1, 396.2, 396.4, 397, 400, D7/514, 516, 519, 539, 544, 571, 573, D7/578; D9/414, 416, 417, 434, 435, D9/436, 439, 440, 441, 443, 445, 447, D9/448, 451, 452, 453, 454, 601, 682, D9/685, 686, 688, 690, 695, 707, 708, D9/709, 723, 724, 727; D23/206, 208, D23/209, 213, 223, 226, 259, 260, 261; D24/112, 121, 127, 162, 194, 196;
(Continued)

(56) **References Cited**

U.S. PATENT DOCUMENTS

D155,260 S * 9/1949 Baron D9/452
D162,893 S * 4/1951 Softer D9/443
D162,894 S * 4/1951 Softer D9/443
(Continued)

FOREIGN PATENT DOCUMENTS

EM 002750406-0001 8/2017

OTHER PUBLICATIONS

Snuggle Bottle: Announced Apr. 24, 2012 (online). Stite Visited (Mar. 24, 2022). Available from Internet URL: <https://www.turbosquid.com/3d-models/snuggle-bottle-3d-model/667910>.*

Primary Examiner — Catherine S Posthauer
(74) *Attorney, Agent, or Firm* — Sterne, Kessler, Goldstein & Fox P.L.L.C.

(57) **CLAIM**

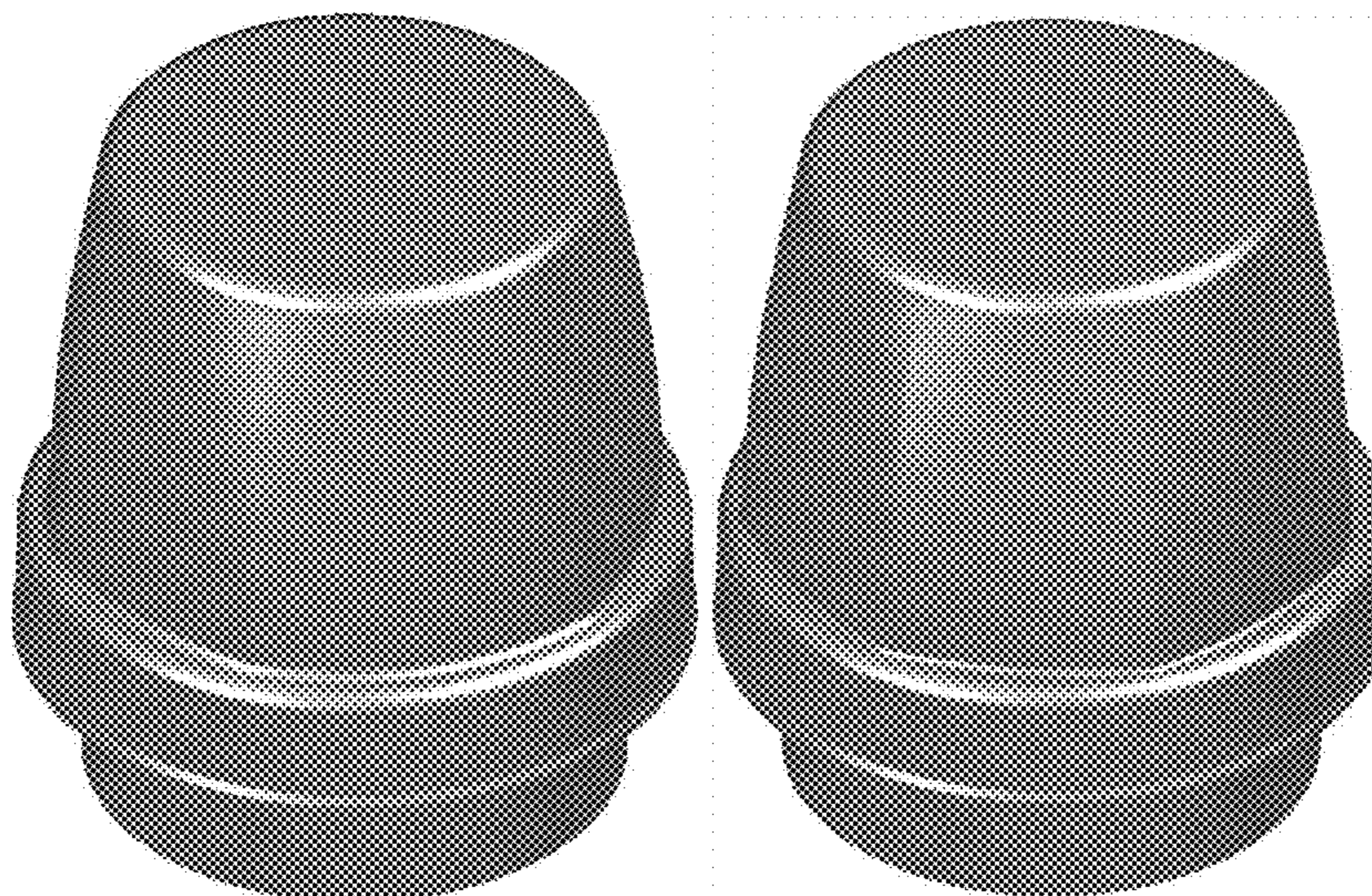
The ornamental design for a container lid, as shown and described.

DESCRIPTION

The patent or application file contains at least one drawing executed in color. Copies of this patent or patent application publication with color drawing(s) will be provided by the Office upon request and payment of the necessary fee.

FIG. 1 is a top perspective view of a first embodiment of a container lid, showing the claimed design;
FIG. 2 is a bottom perspective view thereof;
FIG. 3 is a front view thereof;
FIG. 4 is a rear view thereof;
FIG. 5 is a left side view thereof;
FIG. 6 is a right side view thereof;
FIG. 7 is a cross-sectional view thereof taken along line 7-7 in FIG. 5;
FIG. 8 is a top perspective view of a second embodiment of a container lid, showing the claimed design;
FIG. 9 is a bottom perspective view thereof;
FIG. 10 is a front view thereof;
FIG. 11 is a rear view thereof;
FIG. 12 is a left side view thereof;
FIG. 13 is a right side view thereof; and,
FIG. 14 is a cross-sectional view thereof taken along line 14-14 in FIG. 12.

1 Claim, 14 Drawing Sheets
(14 of 14 Drawing Sheet(s) Filed in Color)



US D963,478 S

(58) **Field of Classification Search**

USPC D28/4, 76, 79, 80, 81, 82, 84, 85, 87,
D28/91.1; D6/542; D11/152
CPC B65D 85/8064; B65D 85/8043; B65D
77/20; B65D 25/48; B65D 2543/00046;
B65D 2543/00092; B65D 2585/56; B65D
2585/545; A47J 31/407; A47J 31/04;
A47J 31/10; A47J 31/24; A23F 5/24;
B05B 11/0032; B05B 11/0027; B05B
11/3004; B05B 11/3015; B05B 11/306;
B05B 11/3064; B05B 11/3059; B65B
29/06; A45D 33/24; A45D 33/26; A45D
33/28; A45D 40/00; A45D 40/20; A45D
40/24; A45D 40/02; A45D 40/06; A45D
40/18; A45D 40/262; A45D 34/00; A45D
34/04; A45D 34/06; A45D 34/041

See application file for complete search history.

(56) **References Cited**

U.S. PATENT DOCUMENTS

D162,993 S * 4/1951 Softer D9/443
D169,994 S * 7/1953 Soffer D9/453

D288,663 S * 3/1987 Thieffry D9/452
D404,303 S * 1/1999 Webster D9/454
D443,820 S * 6/2001 Crawford D9/453
D449,783 S * 10/2001 Crawford D9/453
D457,431 S * 5/2002 Brant D9/454
D475,924 S * 6/2003 Haffner D9/453
D525,868 S * 8/2006 Kolanus D9/445
D550,078 S * 9/2007 Henry D9/435
D619,893 S * 7/2010 Fiore D9/435
D626,428 S * 11/2010 Fallat, II D9/695
D645,348 S * 9/2011 Borghesi D9/445
D659,024 S * 5/2012 Borghesi D9/688
D672,649 S * 12/2012 Cummings D9/454
D738,216 S * 9/2015 Martz D9/451
D764,291 S * 8/2016 Lemke D9/436
D769,712 S * 10/2016 Antignane D9/443
D770,291 S * 11/2016 Casscles D9/542
D801,175 S * 10/2017 Henige D9/453
D840,226 S * 2/2019 Furner D9/445
D888,552 S * 6/2020 Tempfli D9/435
D896,649 S * 9/2020 Wang D9/452
D904,188 S * 12/2020 McRiner D7/391
D908,492 S * 1/2021 Sterling D9/452

* cited by examiner

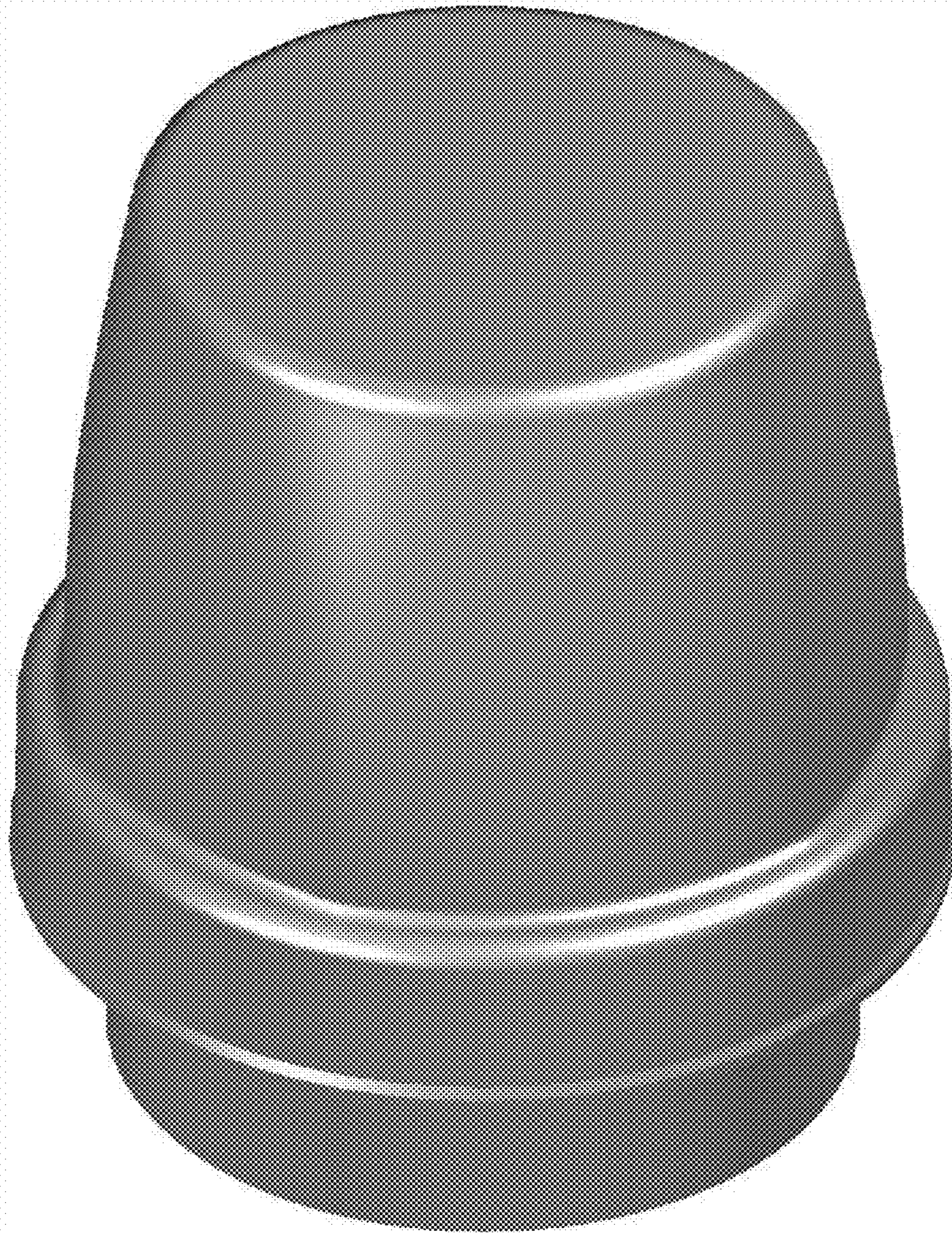


FIG. 1

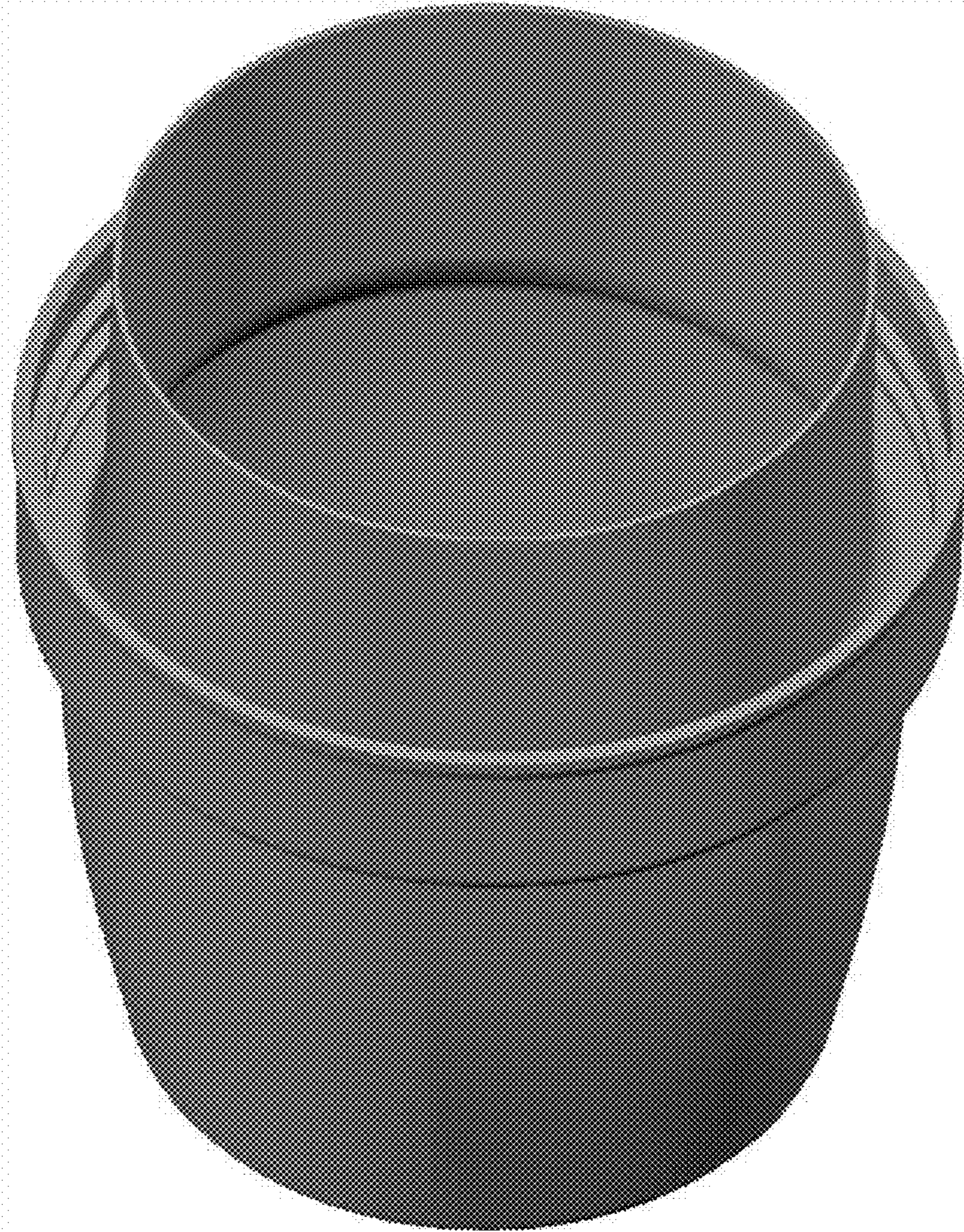


FIG. 2

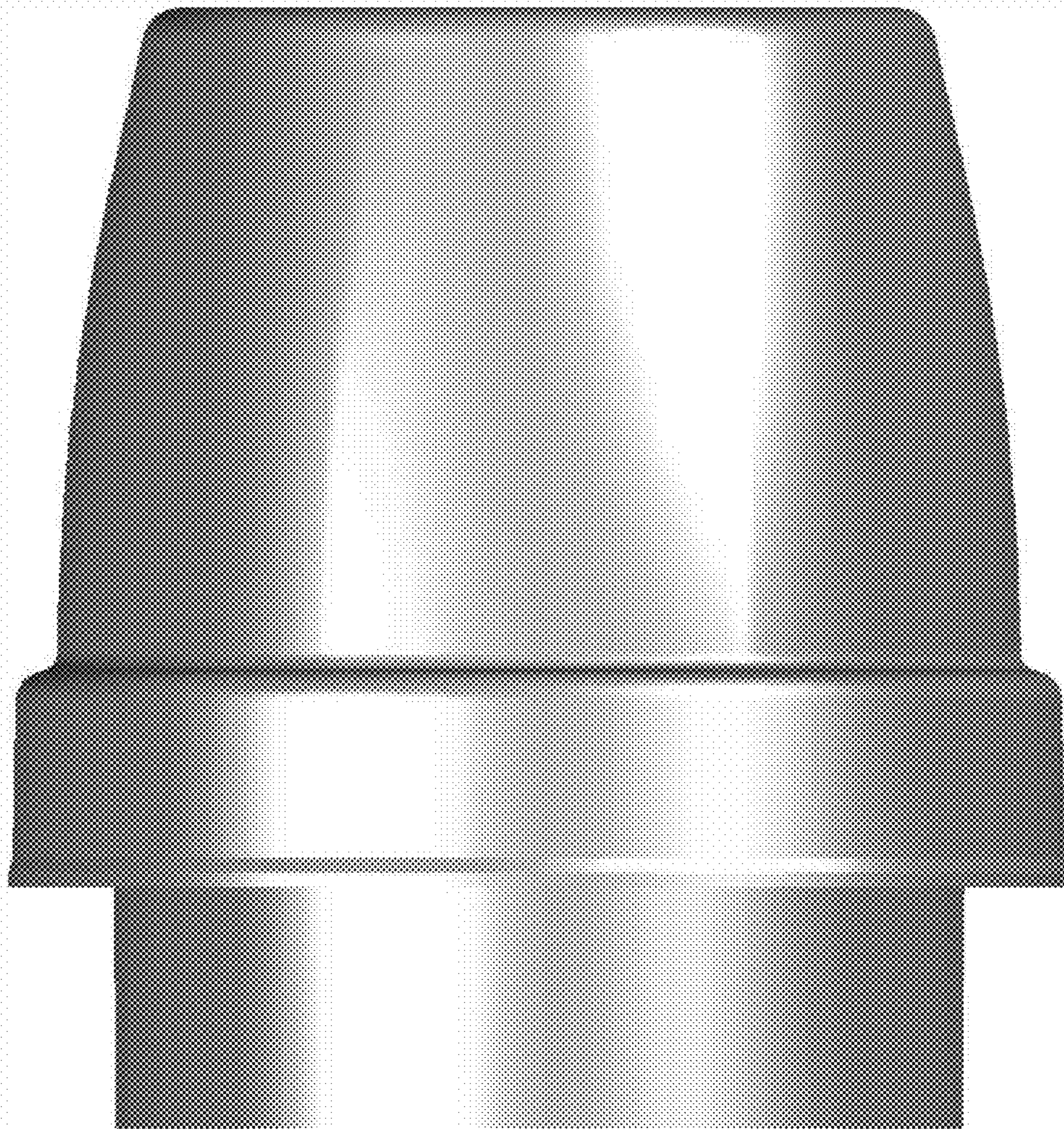


FIG. 3

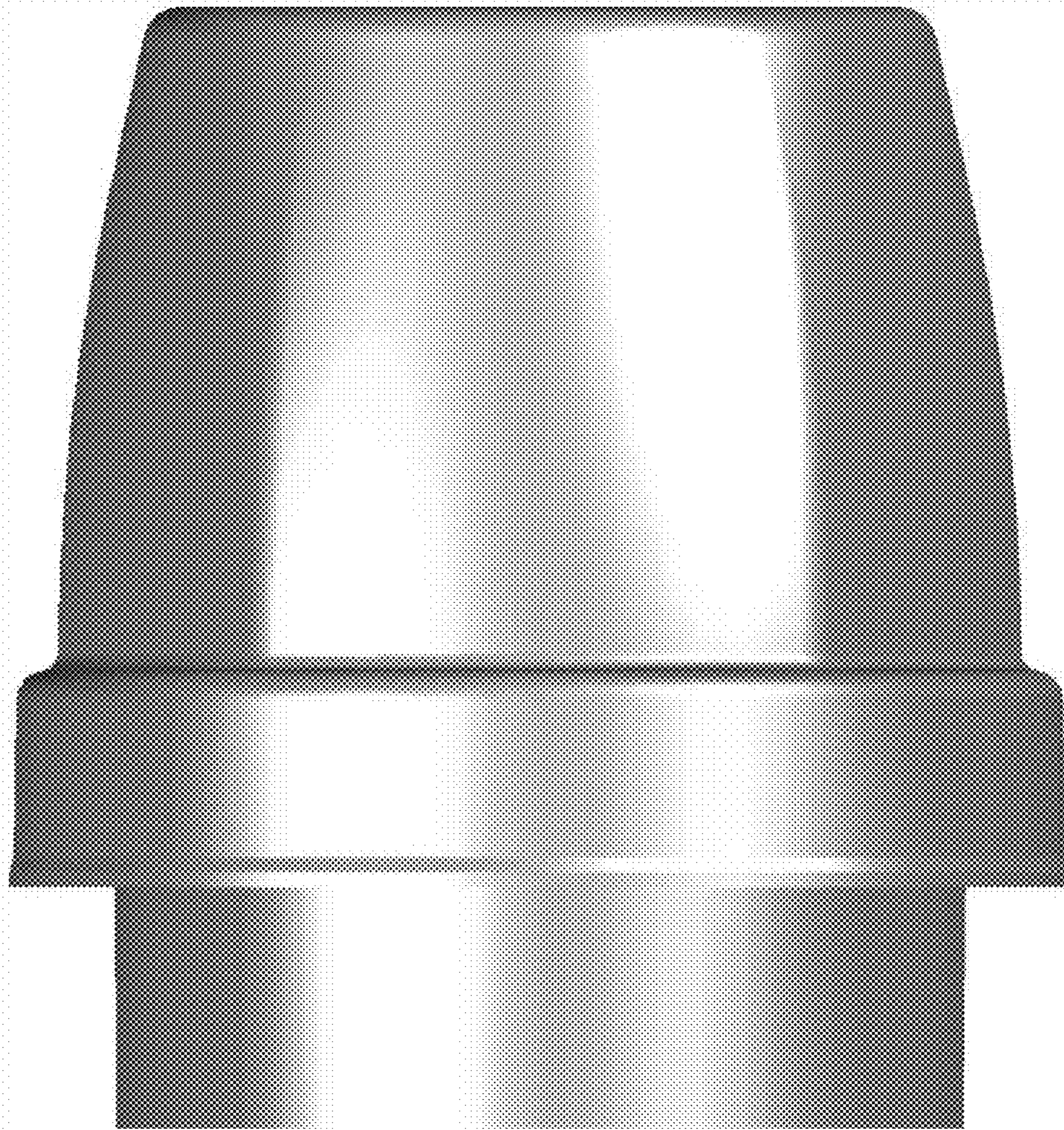


FIG. 4



FIG. 5

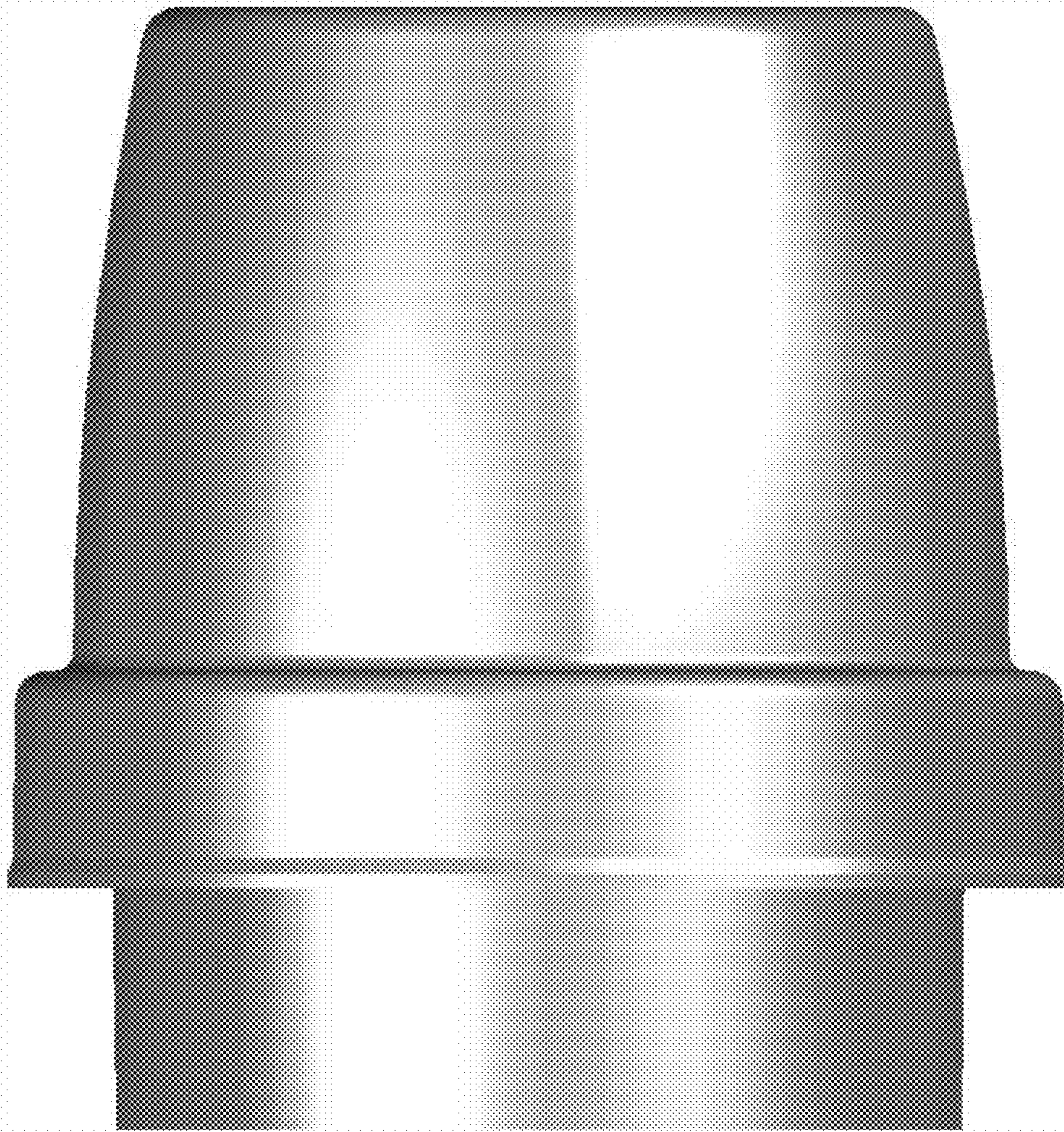


FIG. 6

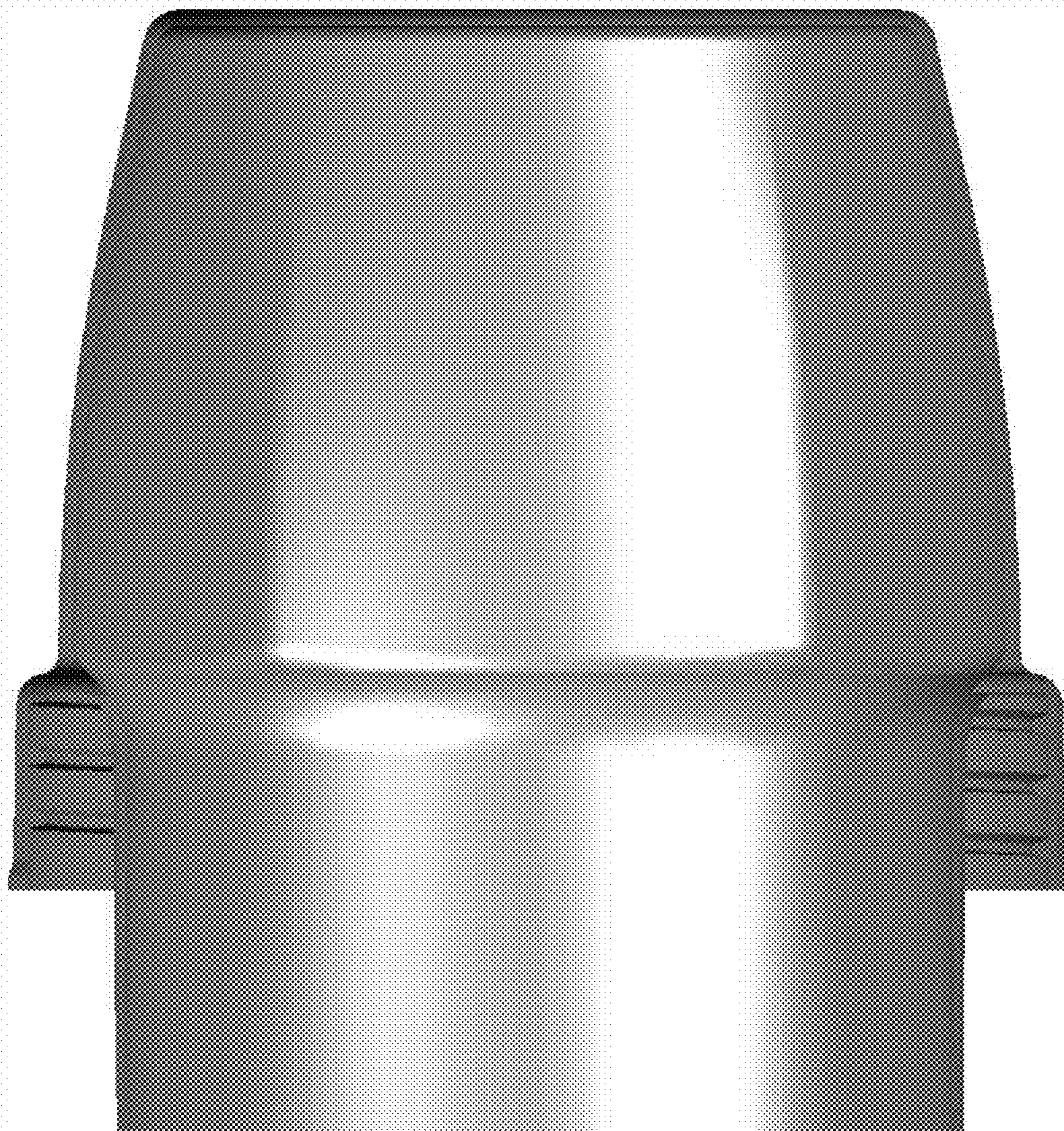


FIG. 7

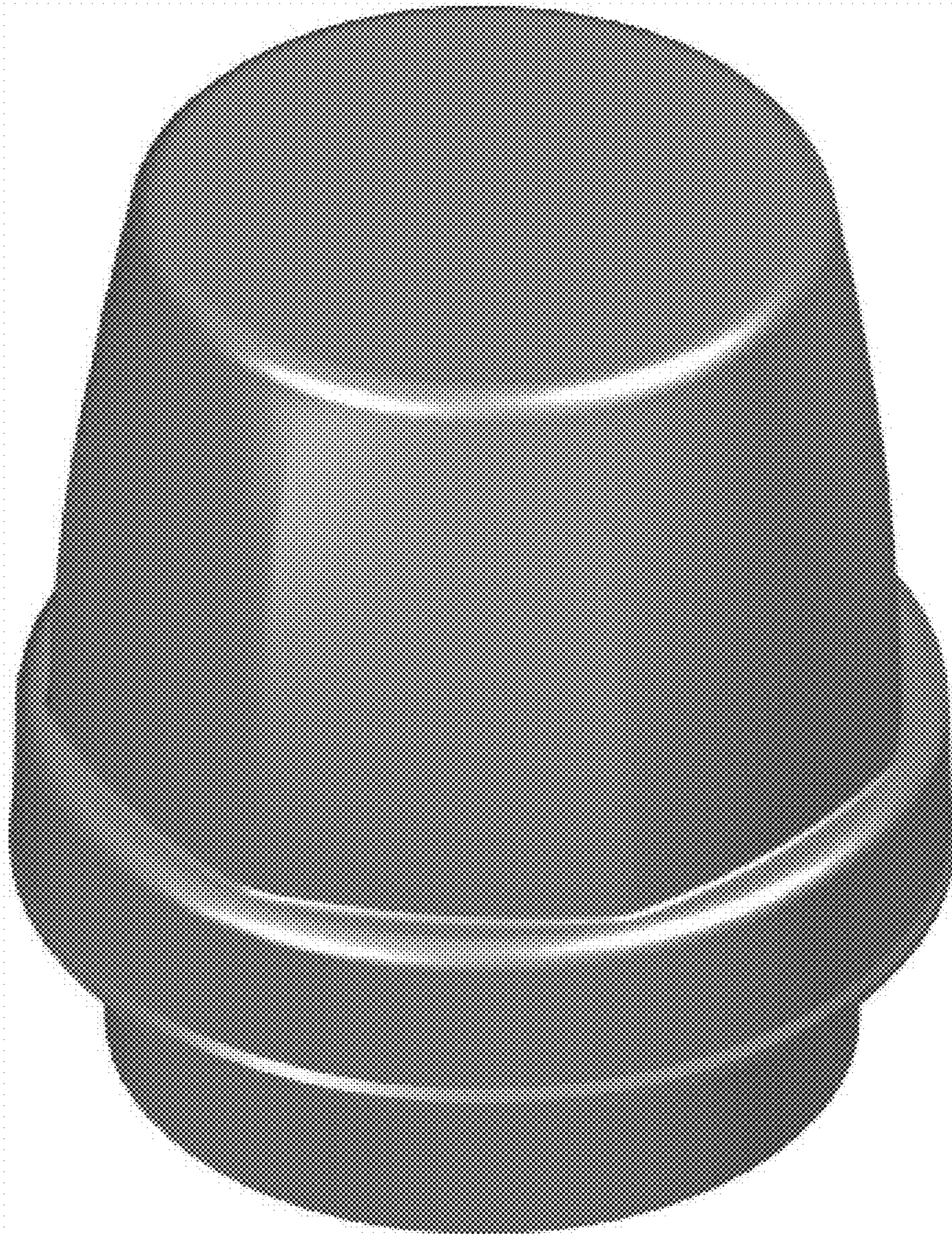


FIG. 8

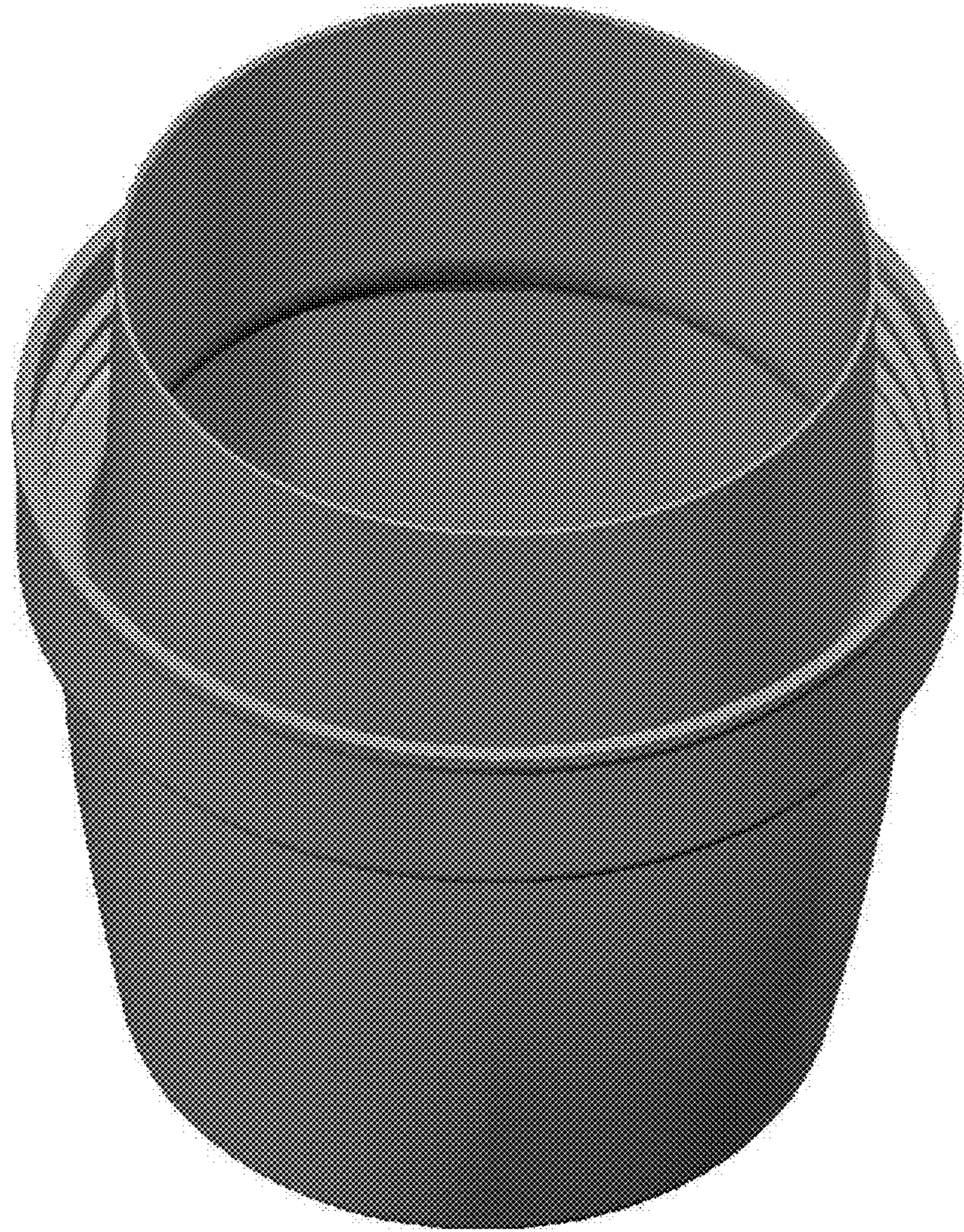


FIG. 9

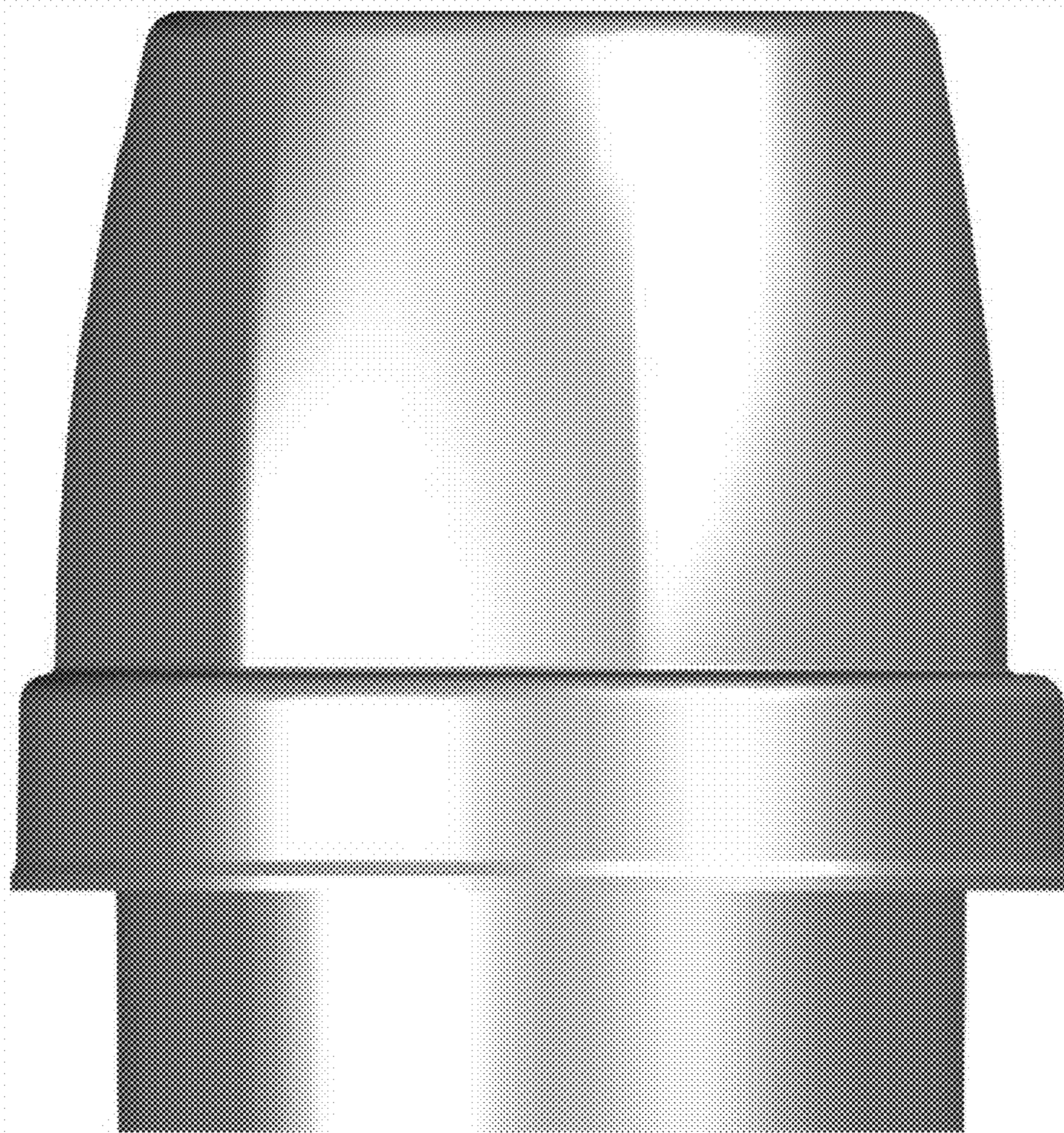


FIG. 10

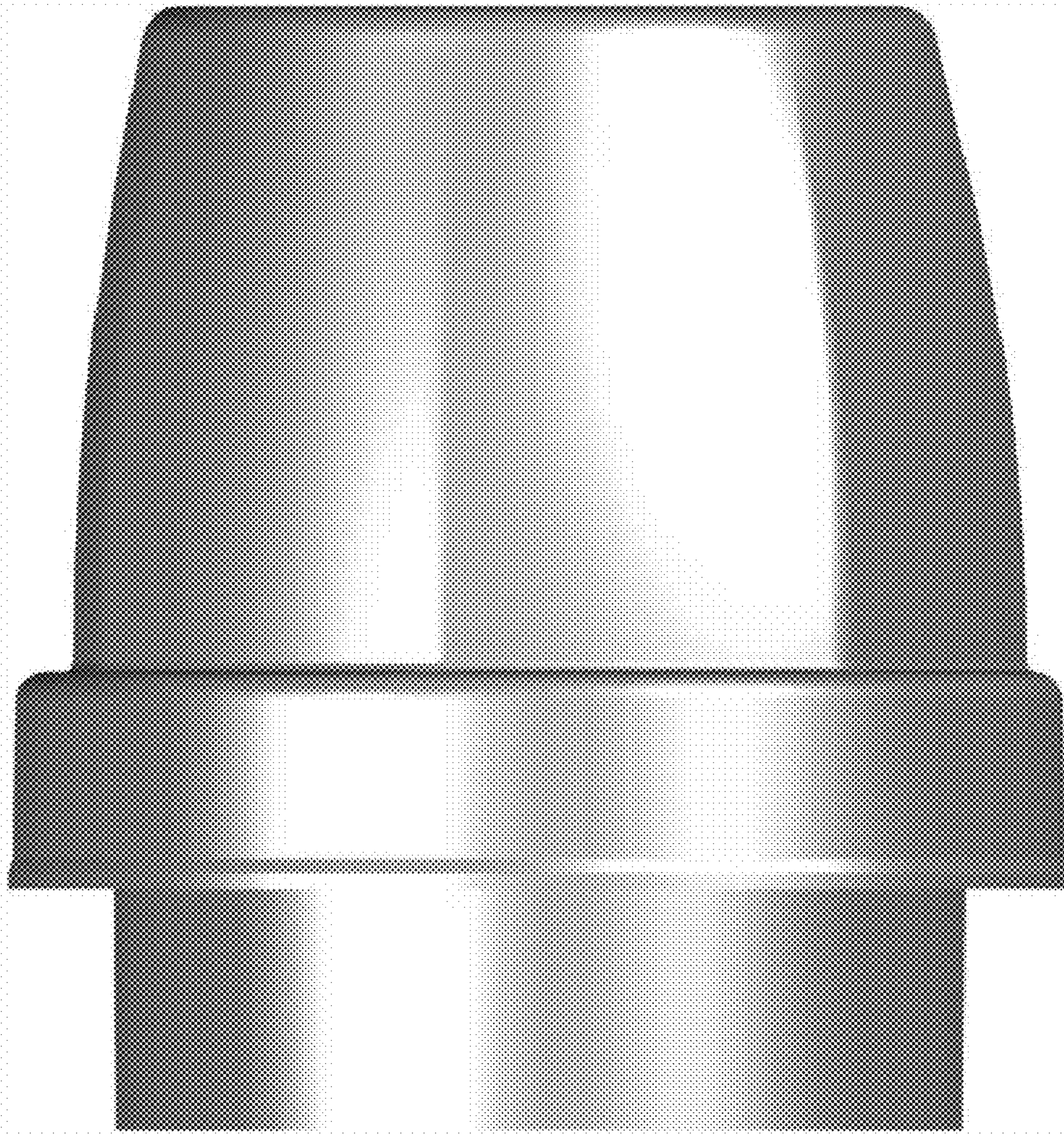


FIG. 11

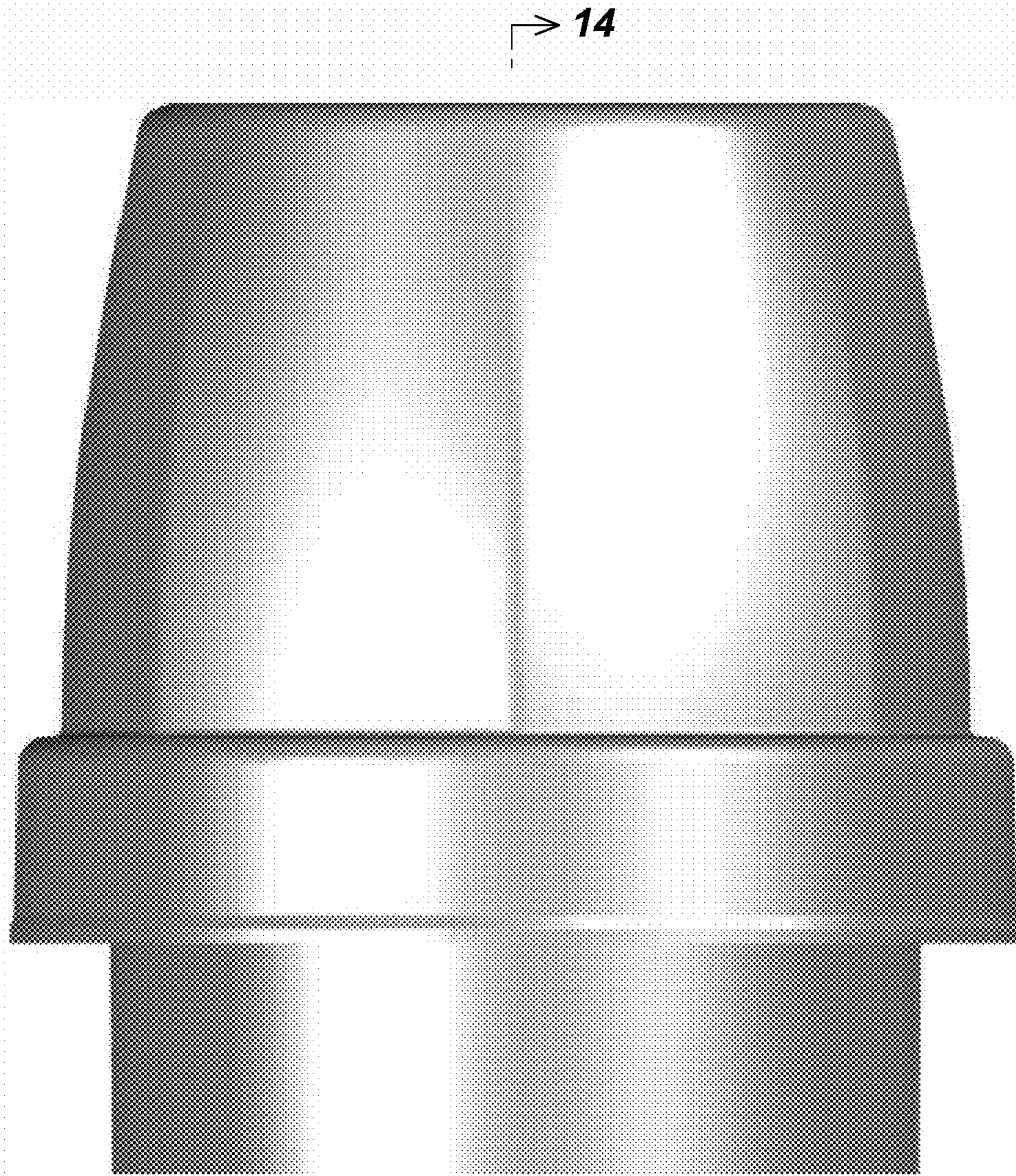


FIG. 12

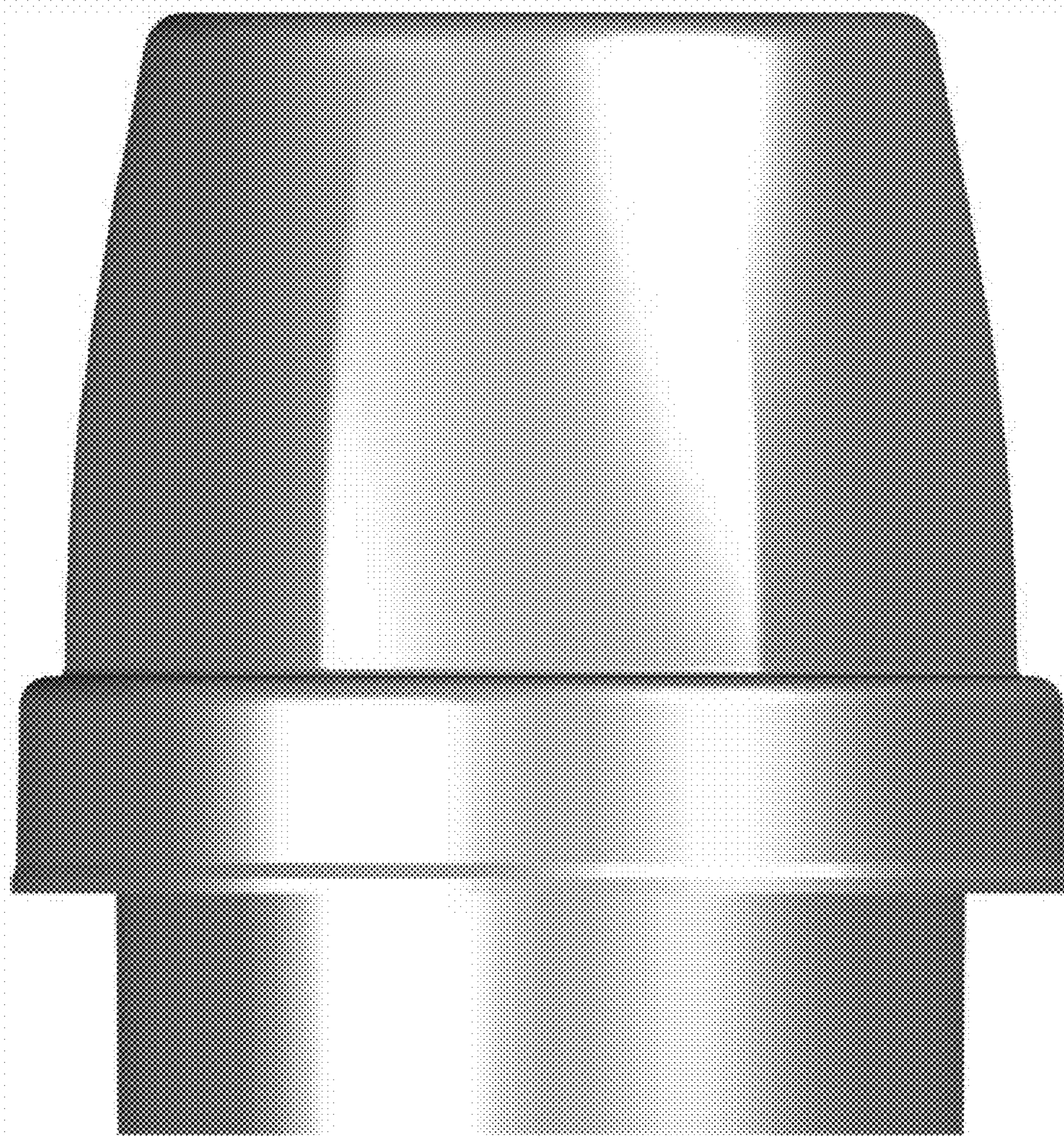


FIG. 13



FIG. 14

UNITED STATES PATENT AND TRADEMARK OFFICE
CERTIFICATE OF CORRECTION

PATENT NO. : D963,478 S
APPLICATION NO. : 29/756820
DATED : September 13, 2022
INVENTOR(S) : Daniel Peter Sterling

Page 1 of 1

It is certified that error appears in the above-identified patent and that said Letters Patent is hereby corrected as shown below:

On the Title Page

In the DESCRIPTION section, please delete:

“The patent or application file contains at least one drawing executed in color. Copies of this patent or patent application publication with color drawing(s) will be provided by the Office upon request and payment of the necessary fee.”

Signed and Sealed this
Fifth Day of September, 2023
Katherine Kelly Vidal

Katherine Kelly Vidal
Director of the United States Patent and Trademark Office