



US00D963477S

(12) **United States Design Patent**
Torres et al.

(10) **Patent No.:** **US D963,477 S**
(45) **Date of Patent:** **** Sep. 13, 2022**

(54) **PIZZA CONTAINER COVER**

- (71) Applicant: **Pizza Hut, LLC**, Plano, TX (US)
- (72) Inventors: **Adam Torres**, Aubrey, TX (US); **Rick Bontrager**, Ventura, CA (US); **Peter Graham**, Lucas, TX (US); **Casper Chiang**, Danville, CA (US); **Jacob Patrick Flaherty**, Scottsdale, AZ (US)
- (73) Assignee: **Pizza Hut, LLC**, Plano, TX (US)
- (**) Term: **15 Years**

- (21) Appl. No.: **29/708,050**
- (22) Filed: **Oct. 2, 2019**
- (51) **LOC (13) Cl.** **09-07**
- (52) **U.S. Cl.**
USPC **D9/452**
- (58) **Field of Classification Search**
USPC D3/200, 201, 202, 203.1, 203.2, 318, D3/320; D7/509, 510, 511, 601, 602, D7/624.1, 387, 391, 392, 392.1, 396.1, D7/396.2, 397, 398, 678, 679, 372; D9/434, 435, 436, 439, 440, 443, 447, D9/449, 450, 454, 455, 416, 417, 420, D9/425-429, 430, 432, 761
CPC B65D 81/261; B65D 21/0217; B65D 21/0223; B65D 25/04; B65D 25/24; B65D 43/0204; B65D 65/466; B65D 85/30; B65D 85/70; B65D 2543/00092; B65D 2543/00296; B65D 2543/00361; B65D 2543/00416; B65D 2543/00574; B65D

(Continued)

(56) **References Cited**

U.S. PATENT DOCUMENTS

- 840,762 A * 1/1907 Gaenzle A47J 36/06 D7/391
- 1,236,360 A * 8/1917 Rice F24C 15/10 126/214 C

(Continued)

FOREIGN PATENT DOCUMENTS

- AU 2018211256 2/2019
- CN 208412546 1/2019

(Continued)

OTHER PUBLICATIONS

Zume Compostable Food Delivery Packaging: Announced Jul. 29, 2020 [online]. Site Visited [Dec. 1, 2020]. Available from Internet URL: https://www.youtube.com/watch?v=YZ0gyqsKT8c&feature=emb_logo.*

(Continued)

Primary Examiner — Catherine S Posthauer

(74) *Attorney, Agent, or Firm* — Merchant & Gould P.C.

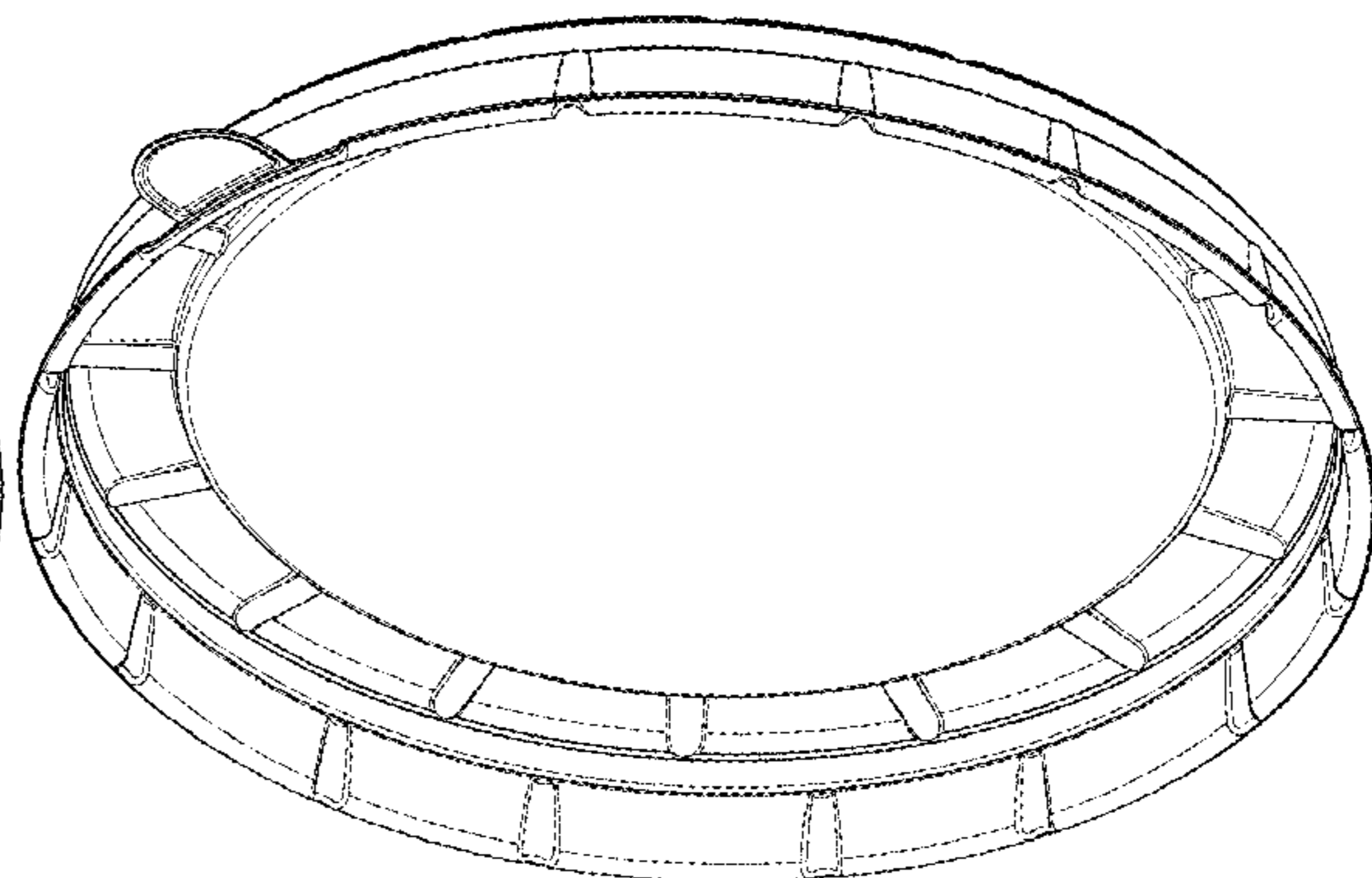
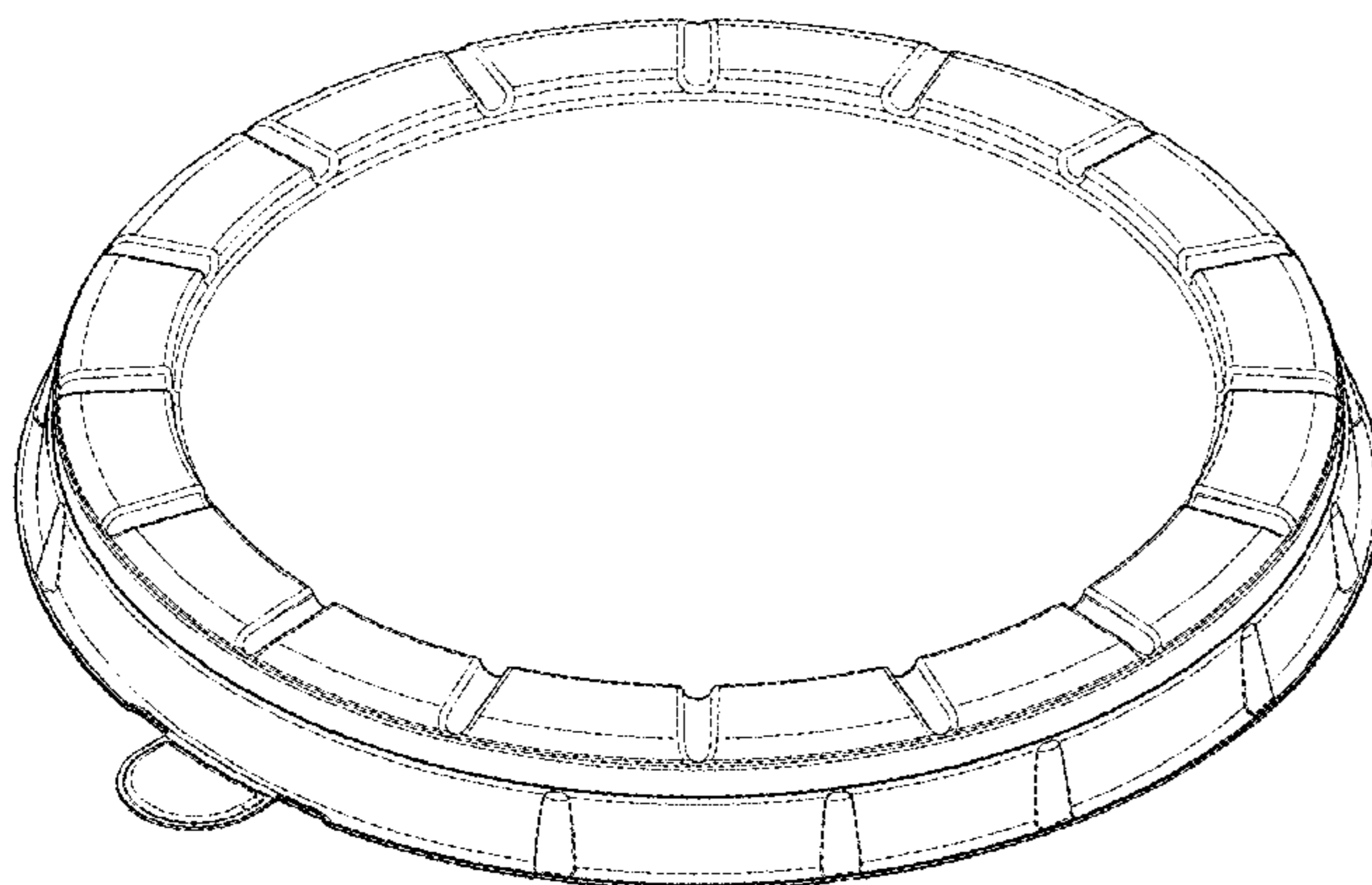
(57) **CLAIM**

The ornamental design for a pizza container cover, as shown and described.

DESCRIPTION

FIG. 1 is a perspective view of a pizza container cover, showing our new design;
 FIG. 2 is a front elevational view of the pizza container cover shown in FIG. 1;
 FIG. 3 is a rear elevational view of the pizza container cover shown in FIG. 1;
 FIG. 4 is a right side elevational view of the pizza container cover shown in FIG. 1;
 FIG. 5 is a left side elevational view of the pizza container cover shown in FIG. 1;
 FIG. 6 is a top plan view of the pizza container cover shown in FIG. 1;
 FIG. 7 is a bottom plan view of the pizza container cover shown in FIG. 1; and,
 FIG. 8 is a bottom perspective view of the pizza container cover shown in FIG. 1.

1 Claim, 6 Drawing Sheets



(58) **Field of Classification Search**

CPC .. 47/122; B65D 47/066; B65D 1/0223; B65D 1/02; A47J 47/145; A47G 19/2211; A47G 19/2216; A47G 19/22; A47G 2019/2238
See application file for complete search history.

(56) **References Cited**

U.S. PATENT DOCUMENTS

1,945,397 A * 1/1934 Gray A47G 19/02
99/428
3,335,846 A 5/1965 Mills
3,216,148 A * 11/1965 Amberg A01K 97/04
43/55
D222,905 S * 2/1972 Kinney D9/439
3,664,256 A * 5/1972 Peirce A47J 37/0676
99/425
D223,854 S * 6/1972 Sweft D7/392.1
3,771,713 A * 11/1973 Davidson B65D 5/48004
426/119
3,964,635 A * 6/1976 Ludder B65D 43/0212
220/784
D243,231 S * 2/1977 Smith D9/439
4,076,123 A * 2/1978 Davis B65D 43/0212
206/503
D252,008 S * 6/1979 Jeambey 426/243
4,201,301 A 5/1980 Aggio
D292,176 S * 10/1987 Kuerti D7/540
D292,380 S * 10/1987 Smith D9/435
D306,118 S * 2/1990 Guerrero D7/397
D311,140 S * 10/1990 Nelson D9/454
D339,027 S * 9/1993 Mack D7/391
5,249,704 A * 10/1993 Boetzkes B65D 41/32
220/724
5,273,174 A 12/1993 Fisher
D372,862 S 8/1996 Fiori
5,720,998 A * 2/1998 Proctor A21C 11/00
426/274
D393,801 S * 4/1998 Hayes D9/429
D432,914 S * 10/2000 Hayes D9/434
D440,490 S * 4/2001 Lizzio D9/428
6,257,434 B1 7/2001 Lizzio
6,476,368 B2 11/2002 Aronsson et al.
6,478,183 B1 * 11/2002 Bacon B65D 21/0219
206/508
D473,791 S * 4/2003 Loris D9/438
6,627,862 B1 9/2003 Pedersen
6,719,943 B1 4/2004 Neculescu et al.
D526,840 S * 8/2006 Carlson D7/392.1
D529,346 S 10/2006 Charuwongkhachton
D545,618 S * 7/2007 Zettle D7/391
D574,238 S * 8/2008 Walker D9/435
D583,238 S * 12/2008 Chen D9/453
D621,650 S * 8/2010 DeLeo D7/354
7,942,268 B2 5/2011 Manca
D649,448 S * 11/2011 Wu D9/429
D681,452 S 5/2013 Dennen et al.
D687,705 S * 8/2013 Krupa D9/428
D747,192 S 1/2016 Nietert et al.
D749,906 S * 2/2016 Lee D7/409
D766,086 S * 9/2016 Strachan D9/454
D767,989 S 10/2016 Nietert et al.
D774,900 S * 12/2016 Longoni B65D 43/162
D9/420
D795,002 S * 8/2017 Lee D7/409
D806,575 S * 1/2018 Collins D9/761
D828,161 S * 9/2018 Collins D9/454
D843,207 S 3/2019 Das et al.

10,744,699 B2 8/2020 Hayes et al.
10,875,685 B2 * 12/2020 Luburic B65D 53/02
D918,712 S * 5/2021 Bontrager D9/428
2005/0133508 A1 * 6/2005 Landis B65D 43/027
220/276
2005/0184066 A1 8/2005 Brooks et al.
2007/0241110 A1 * 10/2007 Belleggia B65D 85/36
220/315
2008/0308555 A1 * 12/2008 Stolzman B65D 43/0231
220/288
2011/0266294 A1 * 11/2011 Charbonnet B65D 43/02
220/711
2012/0024859 A1 2/2012 Longoni et al.
2012/0234717 A1 * 9/2012 Kirkland B65D 1/36
206/488
2013/0068780 A1 * 3/2013 Meers B65D 43/0212
220/790
2013/0233873 A1 * 9/2013 Baltz B65D 43/0262
220/780
2014/0166659 A1 * 6/2014 Antal, Sr. B65D 43/0256
220/521
2015/0291303 A1 10/2015 Strilich et al.
2017/0275077 A1 * 9/2017 Chiang B65D 43/0204
2018/0022523 A1 * 1/2018 Noferi B65D 71/26
229/87.01
2018/0071939 A1 * 3/2018 Garden B26D 7/22
2018/0105344 A1 * 4/2018 Chiang B65D 65/466
2018/0215523 A1 * 8/2018 Chiang B65D 25/04
2019/0045978 A1 * 2/2019 Zorzi B65D 1/34
2019/0071223 A1 * 3/2019 Luburic B65D 21/0219
2021/0101721 A1 * 4/2021 Robinson B65D 25/02
2022/0097897 A1 * 3/2022 Bontrager B65D 1/36
2022/0097924 A1 * 3/2022 Bontrager B65D 51/245

FOREIGN PATENT DOCUMENTS

CN 112793916 5/2021
DE 7831610 2/1979
DE 2903360 8/1980
DE 9414617 11/1994
KR 200482322 1/2017
RU 2091026 9/1997
WO WO-9628978 A1 * 9/1996 A21B 3/13
WO WO-2017165415 A1 * 9/2017 A47J 47/145

OTHER PUBLICATIONS

Pizza Hut Round Pizza Box: Announced Oct. 22, 2019 [online]. Site Visited [Jun. 7, 2021]. Available from Internet URL: <https://www.businessinsider.com/pizza-hut-new-round-pizza-box-keeps-pizza-fresher-compostable-2019-10>.
Circle gets the square; Cornering the Pizza Box Corner Problem: Announced Mar. 15, 2018 [online]. Site Visited [Apr. 20, 2022]. Available from Internet URL: <https://www.pizzamarketplace.com/news/circle-gets-the-square-cornering-the-pizza-box-corner-problem/>.
Apple Pizza Box: Announced [May 16, 2017 (online)]. Site visited [Apr. 20, 2022]. Available from Internet URL: <https://www.buzzfeednews.com/article/blakemontgomery/behold-apples-greatest-invention>.
Food & Wine: Announced Oct. 22, 2019 (online). Site Visited [Apr. 20, 2022]. Available from Internet URL: <https://www.foodandwine.com/news/pizza-hut-round-boxes>.
World Centric web page, published Mar. 15, 2018, two pages, printed Apr. 14, 2020; <http://www.worldcentric.org/node/442>.

* cited by examiner

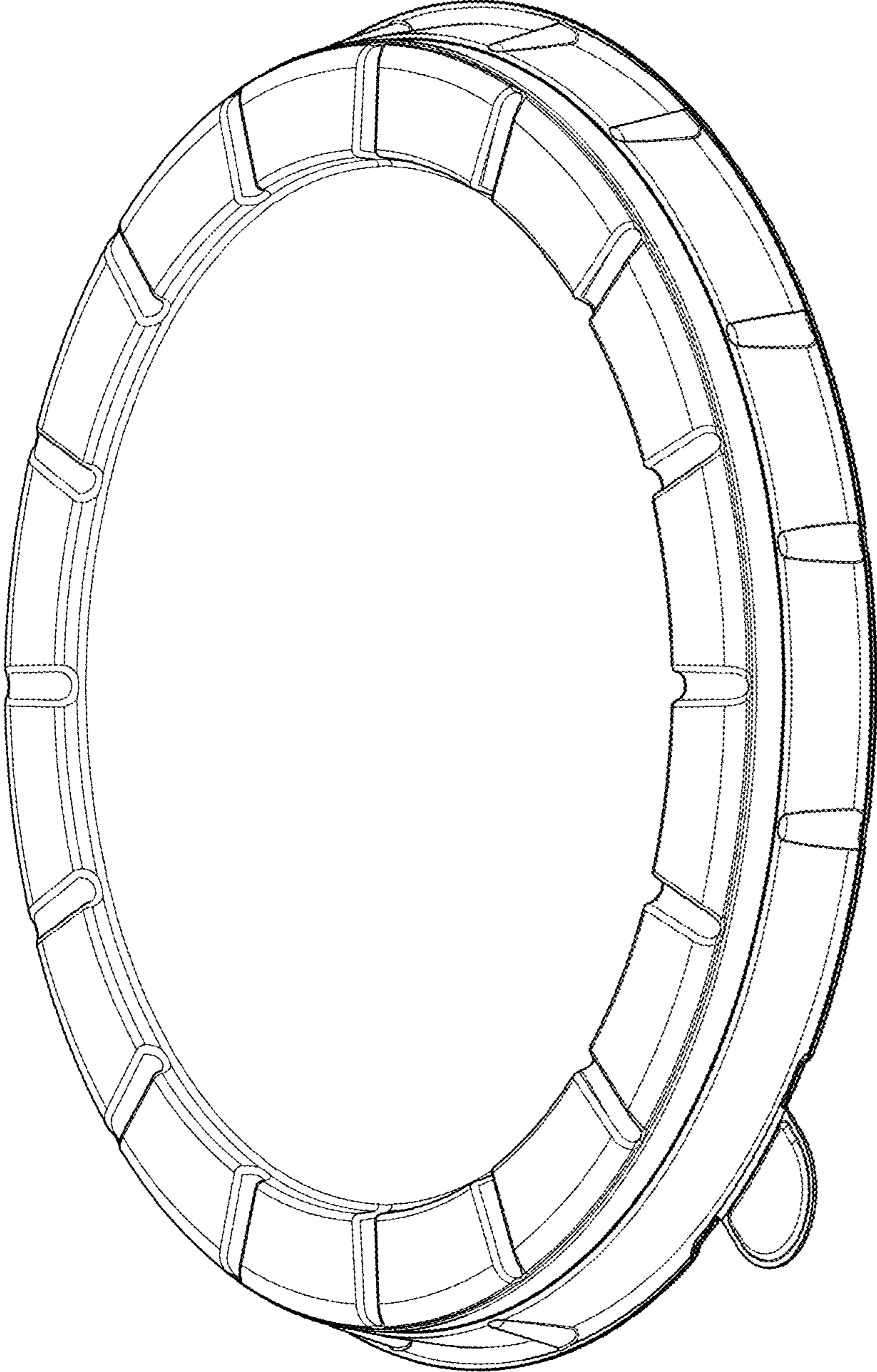


FIG. 1

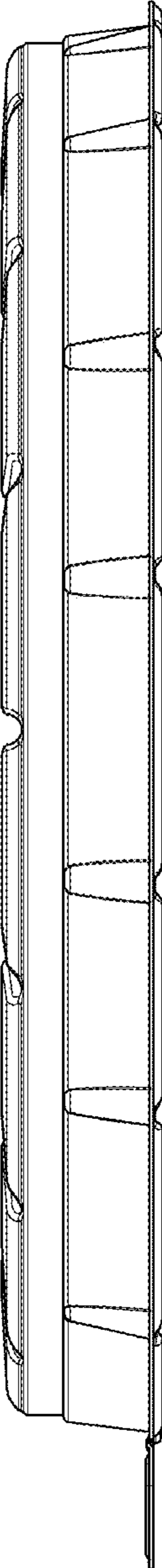


FIG. 2

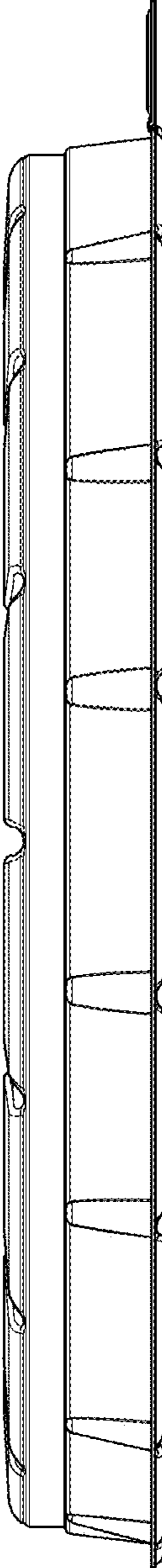


FIG. 3

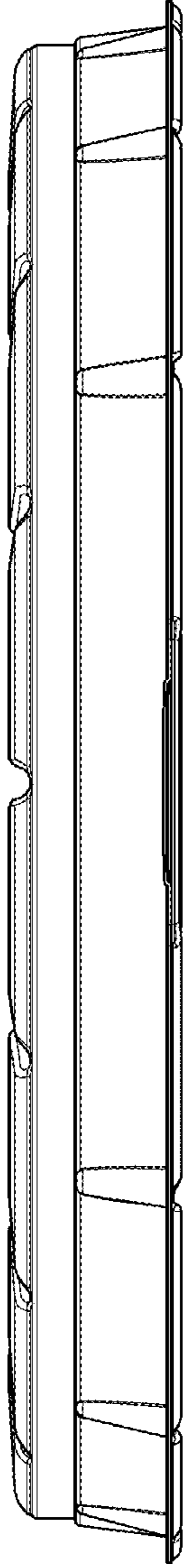


FIG. 4

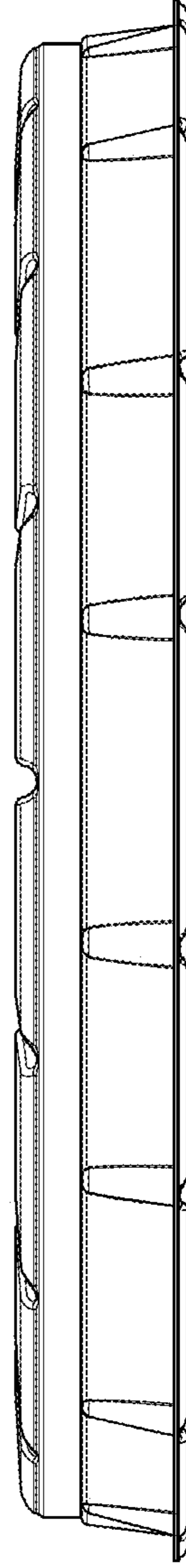


FIG. 5

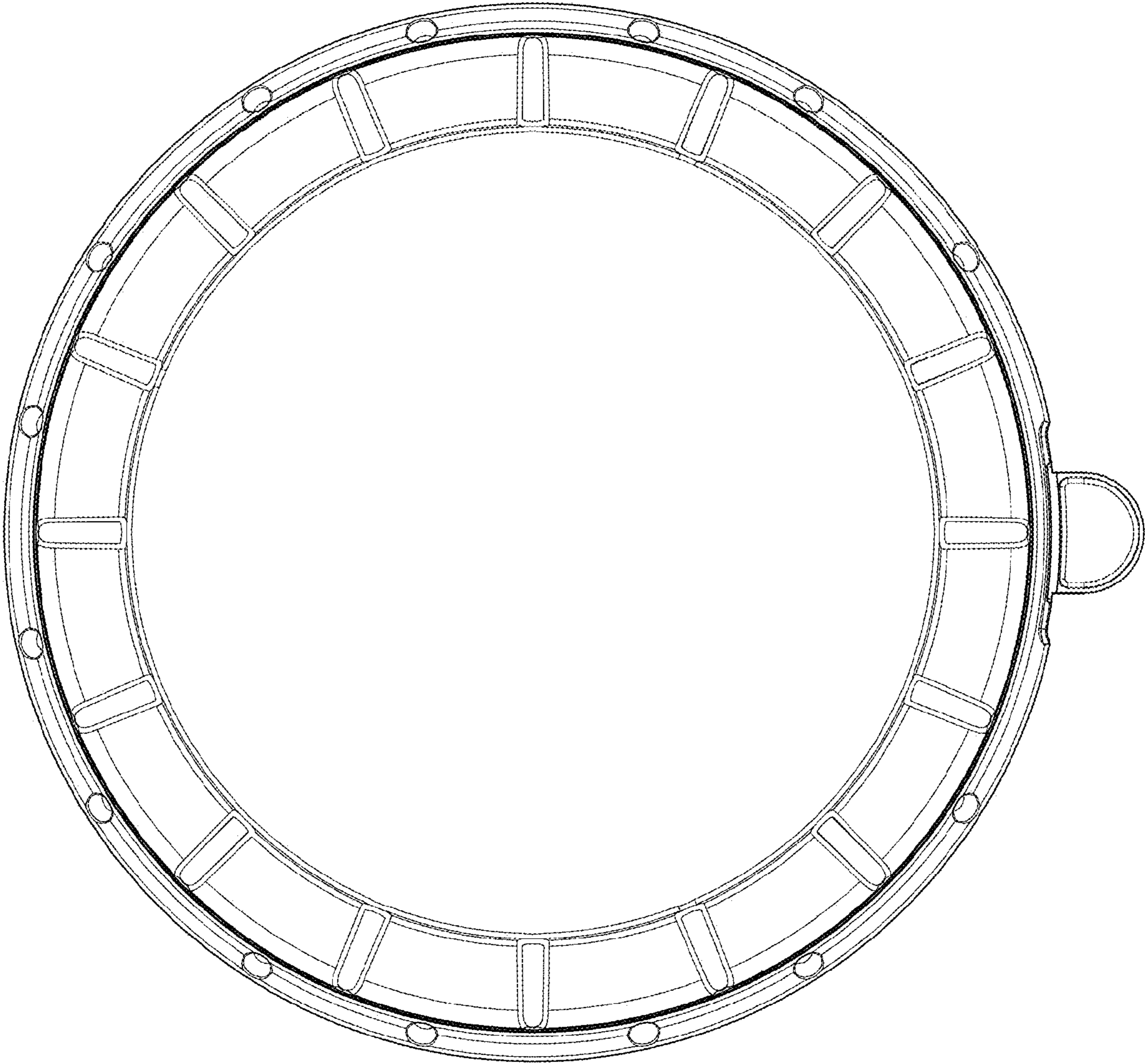


FIG. 6

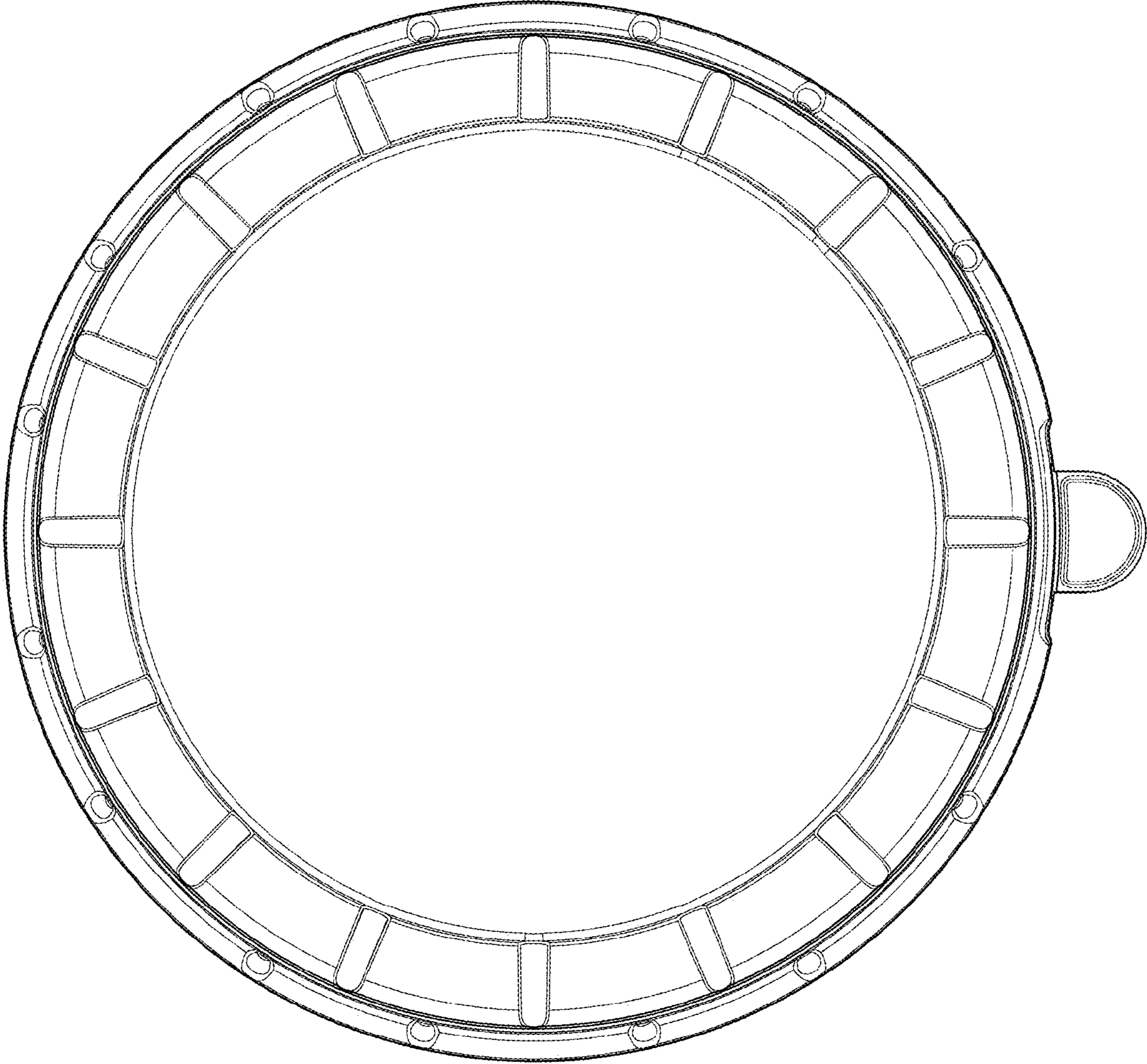


FIG. 7

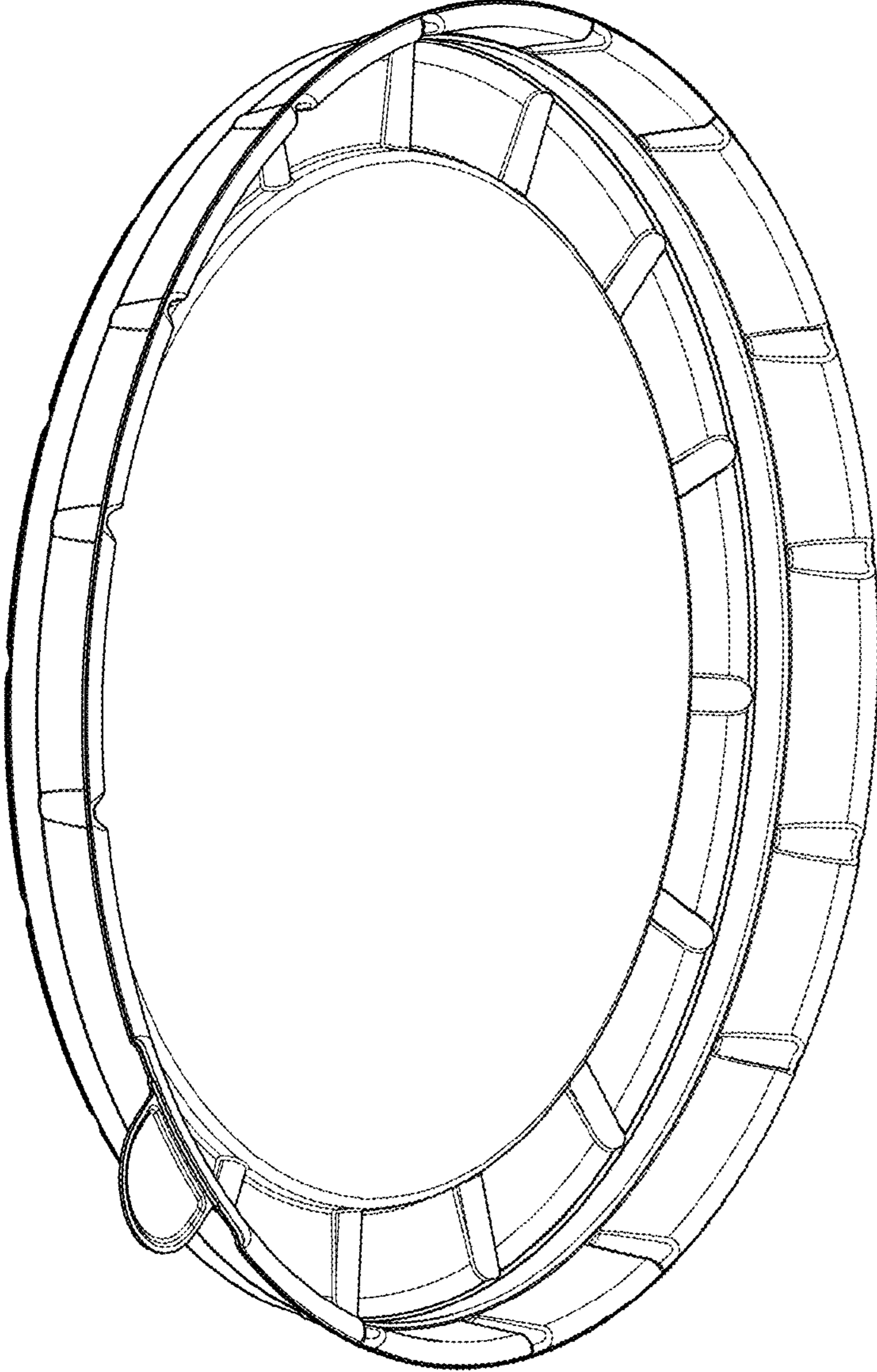


FIG. 8