



US00D963475S

(12) **United States Design Patent**
Jackson

(10) **Patent No.:** **US D963,475 S**

(45) **Date of Patent:** **** Sep. 13, 2022**

(54) **PLUG FOR A BEVERAGE CONTAINER LID**

(71) Applicant: **Christopher Lowell Jackson**, Fort Collins, CO (US)

(72) Inventor: **Christopher Lowell Jackson**, Fort Collins, CO (US)

(73) Assignee: **Facere Ltd.**, Fort Collins, CO (US)

(**) Term: **15 Years**

(21) Appl. No.: **29/713,629**

(22) Filed: **Nov. 18, 2019**

(51) **LOC (13) Cl.** **09-07**

(52) **U.S. Cl.**
USPC **D9/439**

(58) **Field of Classification Search**
USPC D7/509-511, 550.1, 601, 612, 619.1, D7/624.1, 635, 354, 387, 391, 392, 392.1, D7/396.1, 396.2, 396.6; D9/716, 719, D9/682, 683, 529, 434, 435, 436, 438, D9/439, 440, 445, 447, 448, 452, 454, D9/455; D23/206, 259, 260, 261, 208, D23/209, 210, 249, 30; D24/127, 162, D24/216, 224
CPC .. B65D 43/0212; B65D 43/0218; B65D 1/36; B65D 51/28; B65D 2543/00046; B65D 2543/00027; B65D 2543/00092; B65D 2543/00296; B65D 2543/00351; B65D 2543/00537; B65D 2543/00731; B65D 47/2018; B65D 47/06; B65D 51/24; A47G 21/06; A47G 21/00; A47G 19/00; A47G 19/02

See application file for complete search history.

(56) **References Cited**

U.S. PATENT DOCUMENTS

1,014,486 A * 1/1912 King G09F 3/04
40/310
2,723,111 A * 11/1955 Lawrence A47J 43/27
416/71
2,841,307 A * 7/1958 Yoder B65D 51/007
220/805

(Continued)

OTHER PUBLICATIONS

U.S. Appl. No. 29/705,349, filed Sep. 11, 2019, Jackson.

(Continued)

Primary Examiner — Catherine S Posthauer

(74) *Attorney, Agent, or Firm* — Craig R. Miles; CR Miles P.C.

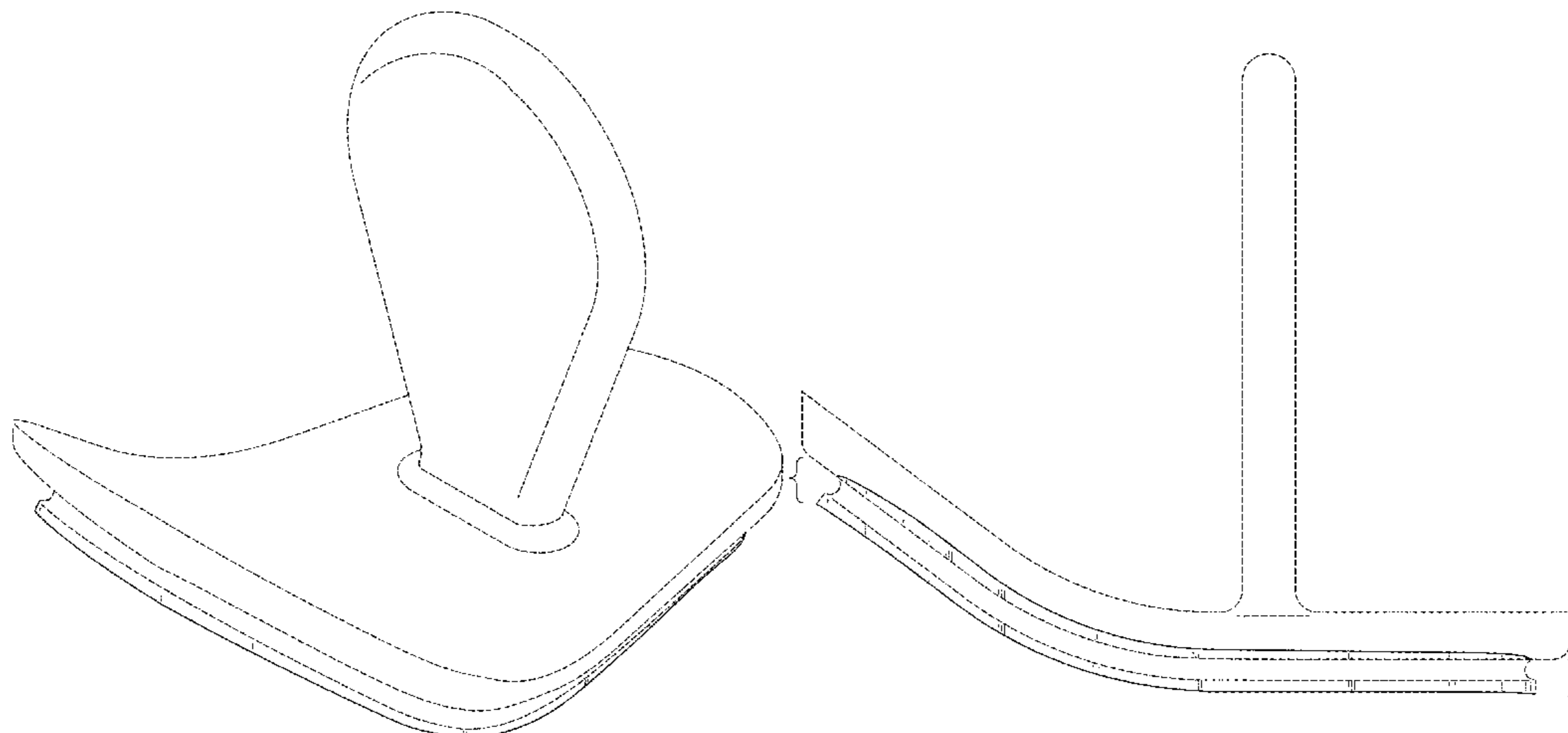
(57) **CLAIM**

The ornamental design for a plug for a beverage container lid, as shown and described.

DESCRIPTION

FIG. 1 is an isometric view of a plug for a beverage container lid showing my new design in an environment of use including a lid and a beverage container.
FIG. 2 is an isometric view thereof, with the exemplary lid and beverage container removed to show aspects of the design not visible when combined;
FIG. 3 is a front elevation view thereof;
FIG. 4 is a rear elevation view thereof;
FIG. 5 is a left side elevation view thereof;
FIG. 6 is a right side elevation view thereof;
FIG. 7 is a top plan view thereof; and,
FIG. 8 is a bottom plan view thereof.
The broken lines are shown for the purpose of illustrating both parts of the article as well as environmental subject

(Continued)



matter of an exemplary lid and beverage container. None of the broken lines form part of the claimed design.

The plug is shown with symbolic breaks in the structure using broken lines. The appearance of any portions of the plug between the broken lines forms no part of the claimed design.

1 Claim, 8 Drawing Sheets

(56)

References Cited

U.S. PATENT DOCUMENTS

| | | | | | | |
|-----------|------|---------|------------|-------|--------------|-----------|
| 3,168,961 | A * | 2/1965 | Yates | | F16B 21/086 | 220/787 |
| 3,542,231 | A * | 11/1970 | Wettermann | | B65D 41/185 | 215/226 |
| 3,650,432 | A * | 3/1972 | Easton | | B65D 17/506 | 220/801 |
| 5,713,664 | A * | 2/1998 | Harilela | | B01F 13/0016 | 366/129 |
| 5,894,952 | A * | 4/1999 | Mendenhall | | B65D 47/06 | 220/713 |
| 6,305,832 | B1 * | 10/2001 | Huang | | A47G 21/00 | 362/120 |
| 6,644,490 | B2 * | 11/2003 | Clarke | | B65D 43/0212 | 220/254.1 |

| | | | | | |
|--------------|------|--------|---------|-------|--------------|
| D590,650 | S * | 4/2009 | Aoki | | D7/300.2 |
| 7,530,186 | B2 * | 5/2009 | Kaliner | | B65D 51/245 |
| | | | | | 220/254.1 |
| D651,898 | S * | 1/2012 | Hess | | D9/435 |
| D659,465 | S * | 5/2012 | Burns | | D7/392.1 |
| D660,077 | S * | 5/2012 | Burns | | D7/392.1 |
| D664,001 | S * | 7/2012 | Liu | | D7/510 |
| D673,809 | S * | 1/2013 | Burns | | D7/392.1 |
| 8,387,795 | B1 * | 3/2013 | Rogers | | G09F 23/06 |
| | | | | | 206/459.5 |
| D753,999 | S * | 4/2016 | Crosby | | D9/447 |
| D859,048 | S * | 9/2019 | Murphy | | D7/300.2 |
| D885,838 | S * | 6/2020 | Tobias | | D7/510 |
| D887,203 | S * | 6/2020 | Pan | | D7/396.2 |
| D890,568 | S * | 7/2020 | Davis | | D7/396.2 |
| 2007/0023442 | A1 * | 2/2007 | Auzenne | | B65D 39/0005 |
| | | | | | 220/801 |
| 2007/0095833 | A1 * | 5/2007 | Burns | | B65D 43/02 |
| | | | | | 220/254.7 |
| 2020/0039684 | A1 * | 2/2020 | Coffey | | B65D 17/506 |
| 2020/0128982 | A1 * | 4/2020 | Tseng | | B65D 43/0212 |

OTHER PUBLICATIONS

U.S. Appl. No. 29/673,536, filed Dec. 14, 2018, Jackson.
 U.S. Appl. No. 29/705,387, filed Sep. 11, 2019, Jackson.
 Dart Container Corporation. 626NSL.Prima™ PET Strawless Lid.
 Website, <https://1/dartcontainer.com>, originally downloaded Aug. 22, 2019, 2 pages.

* cited by examiner

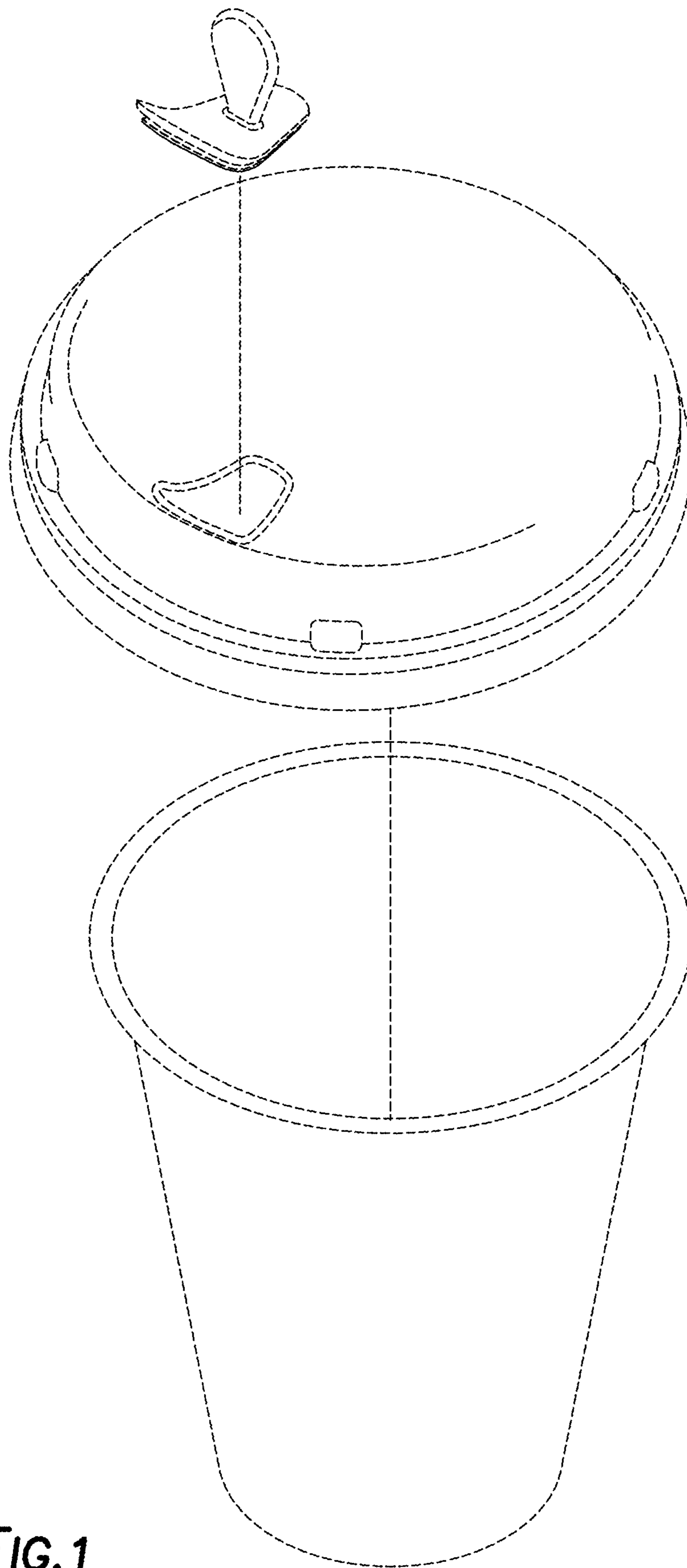


FIG. 1

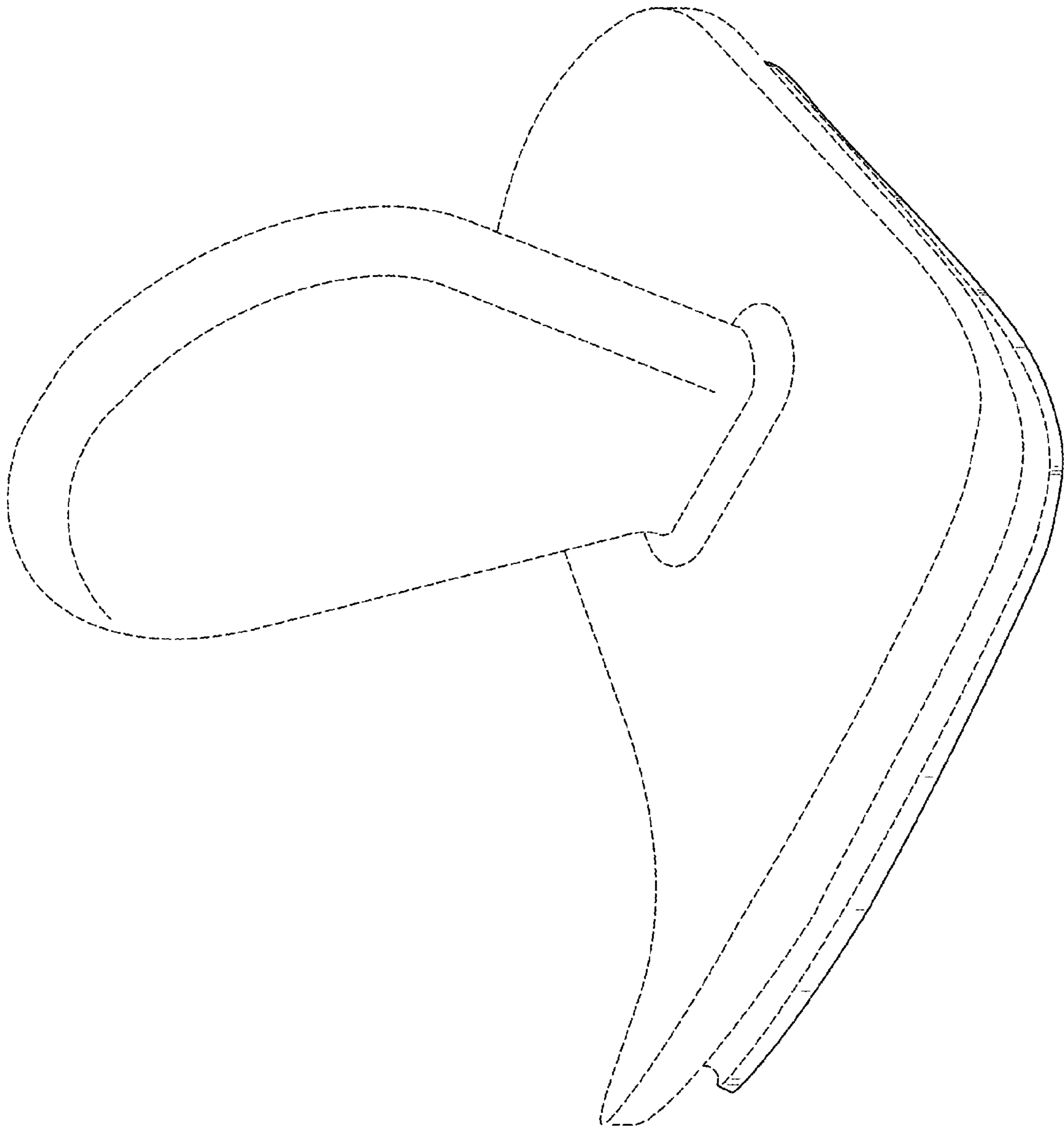


FIG.2

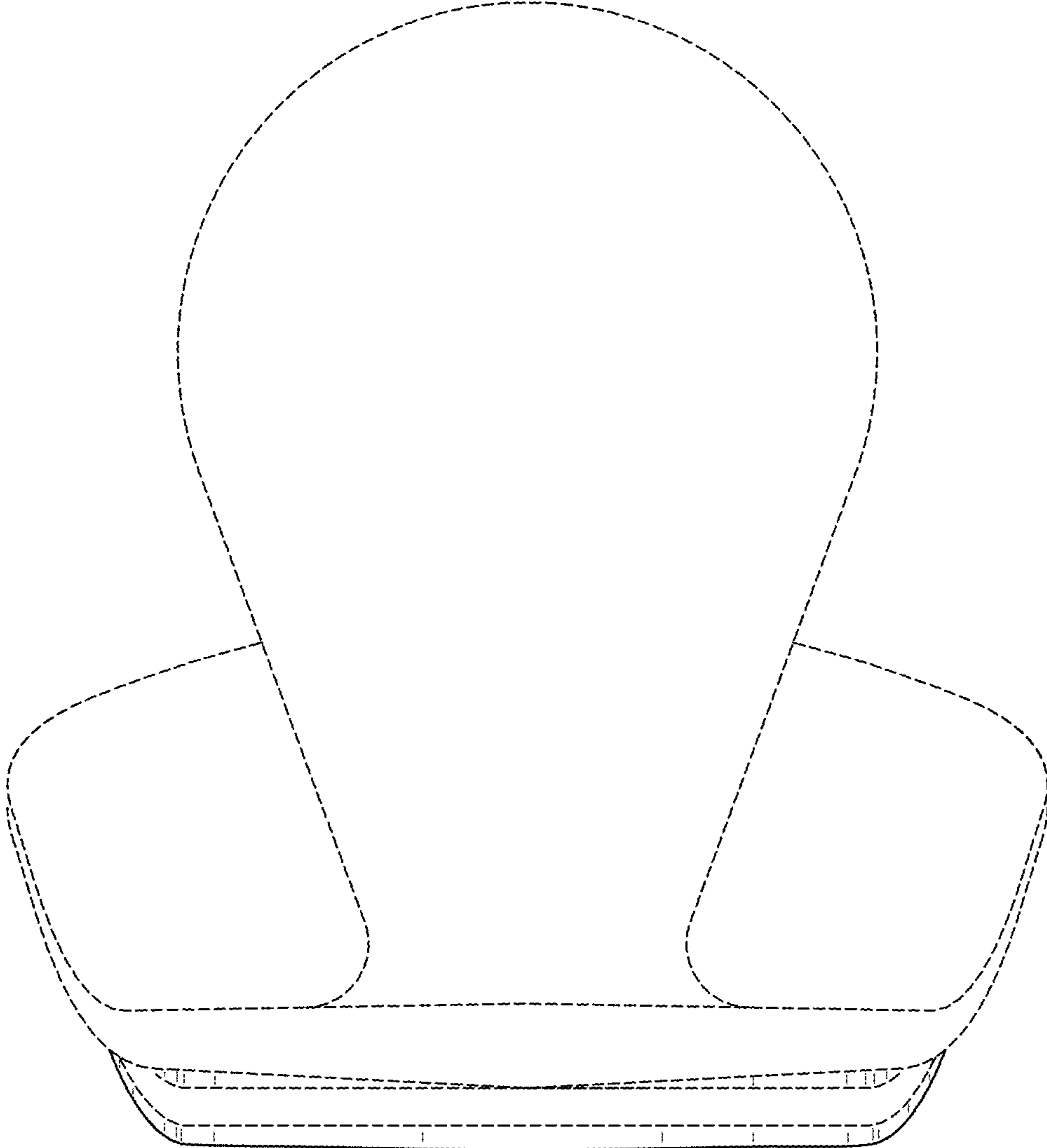


FIG.3

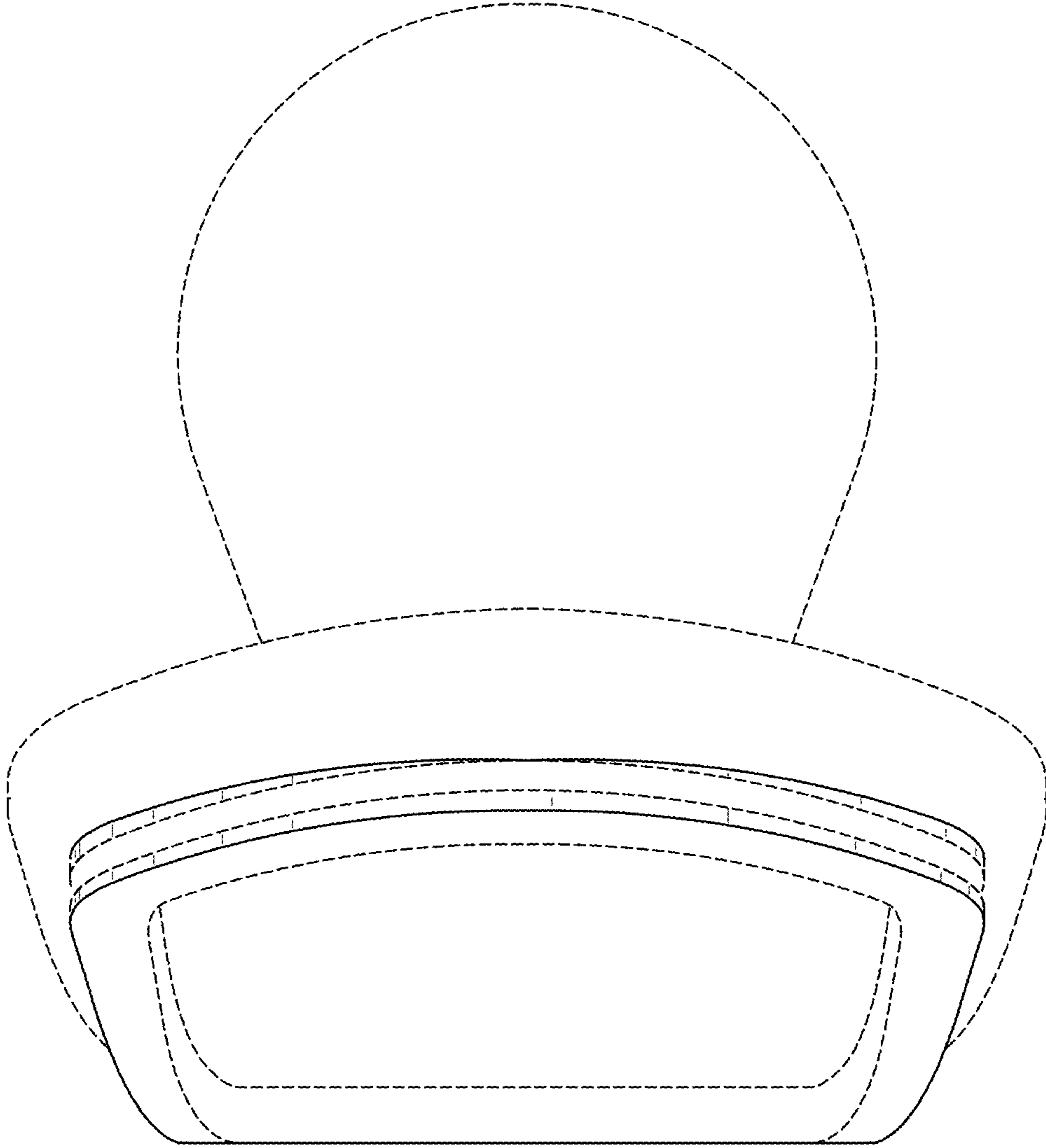


FIG.4

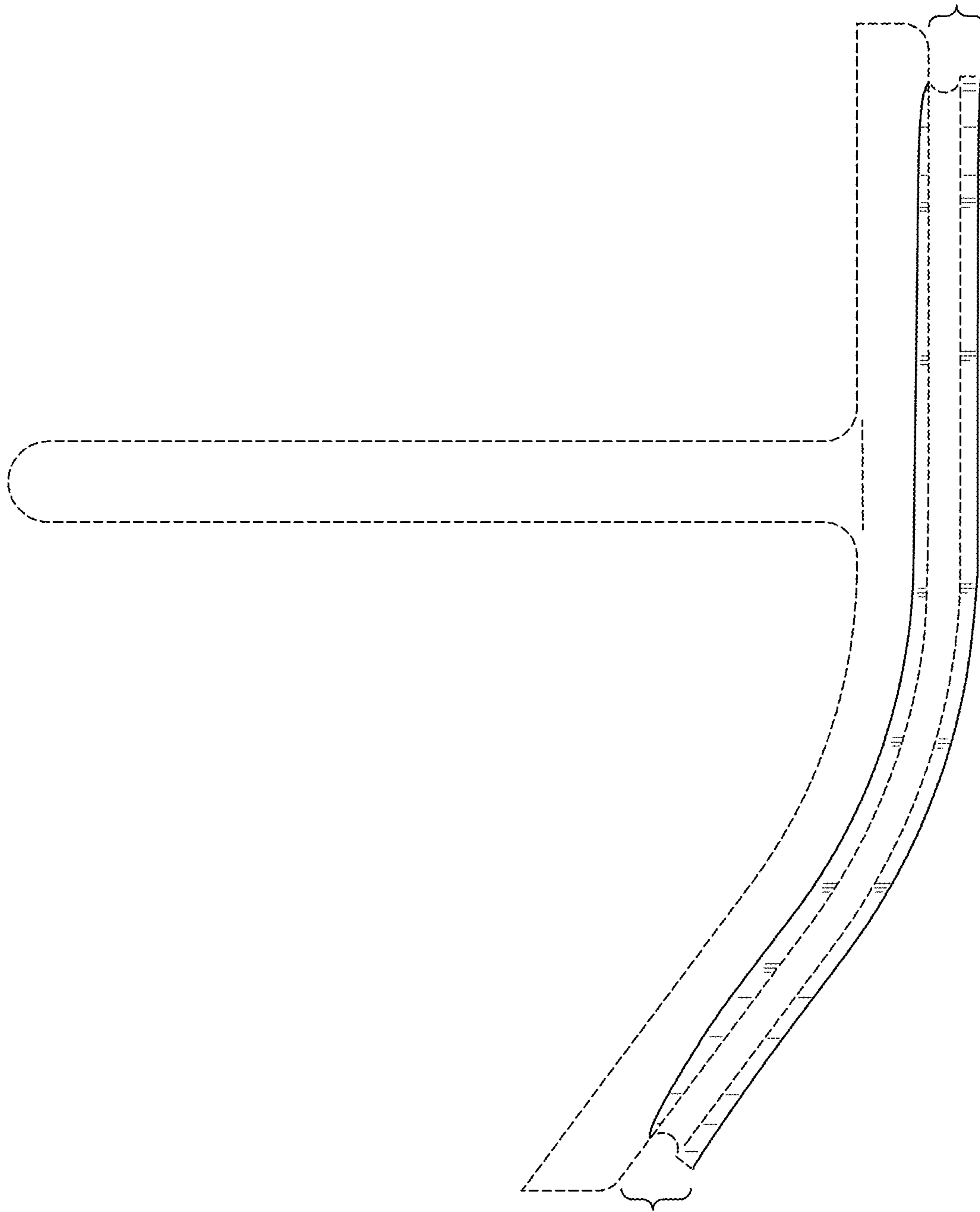


FIG.5

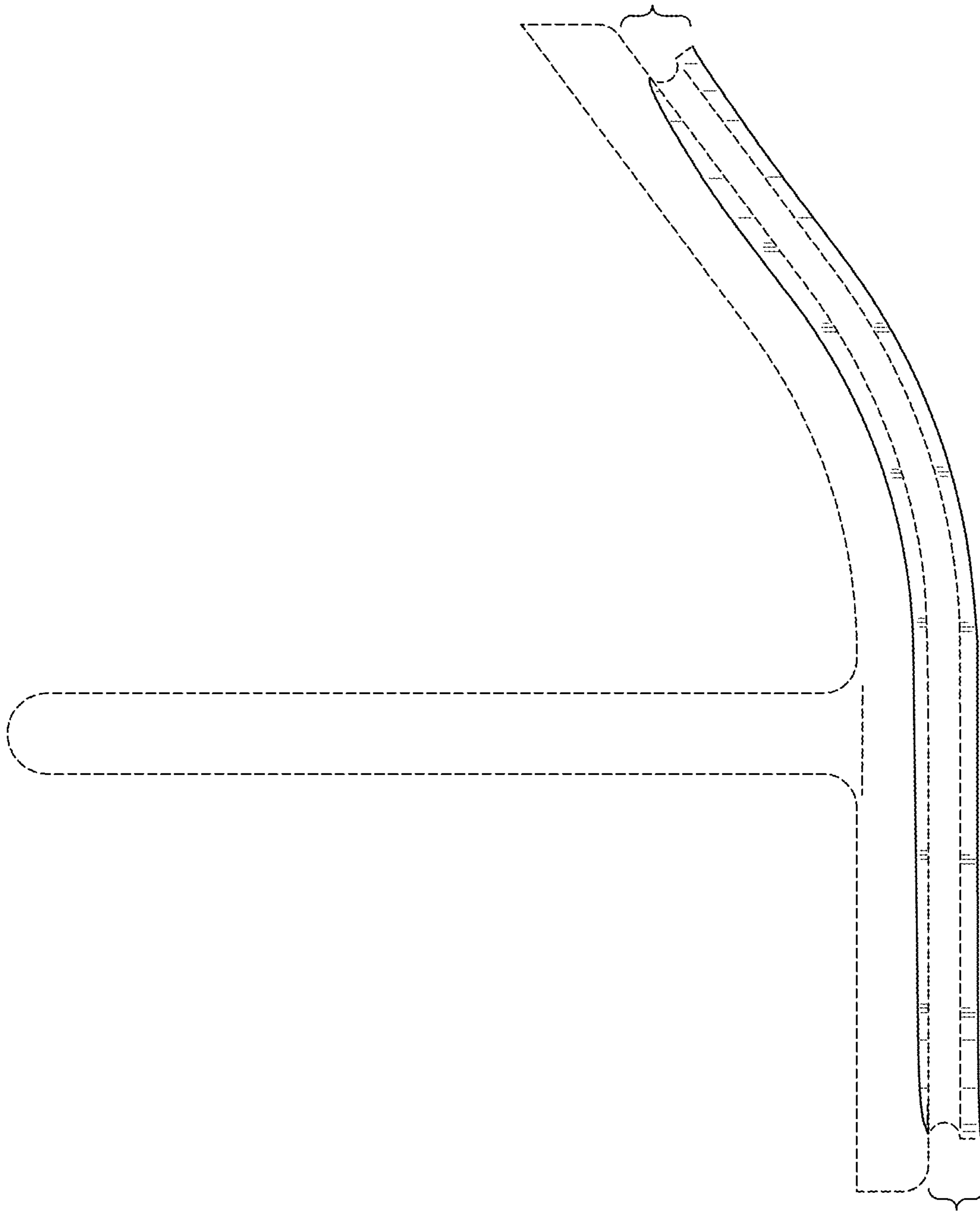


FIG. 6

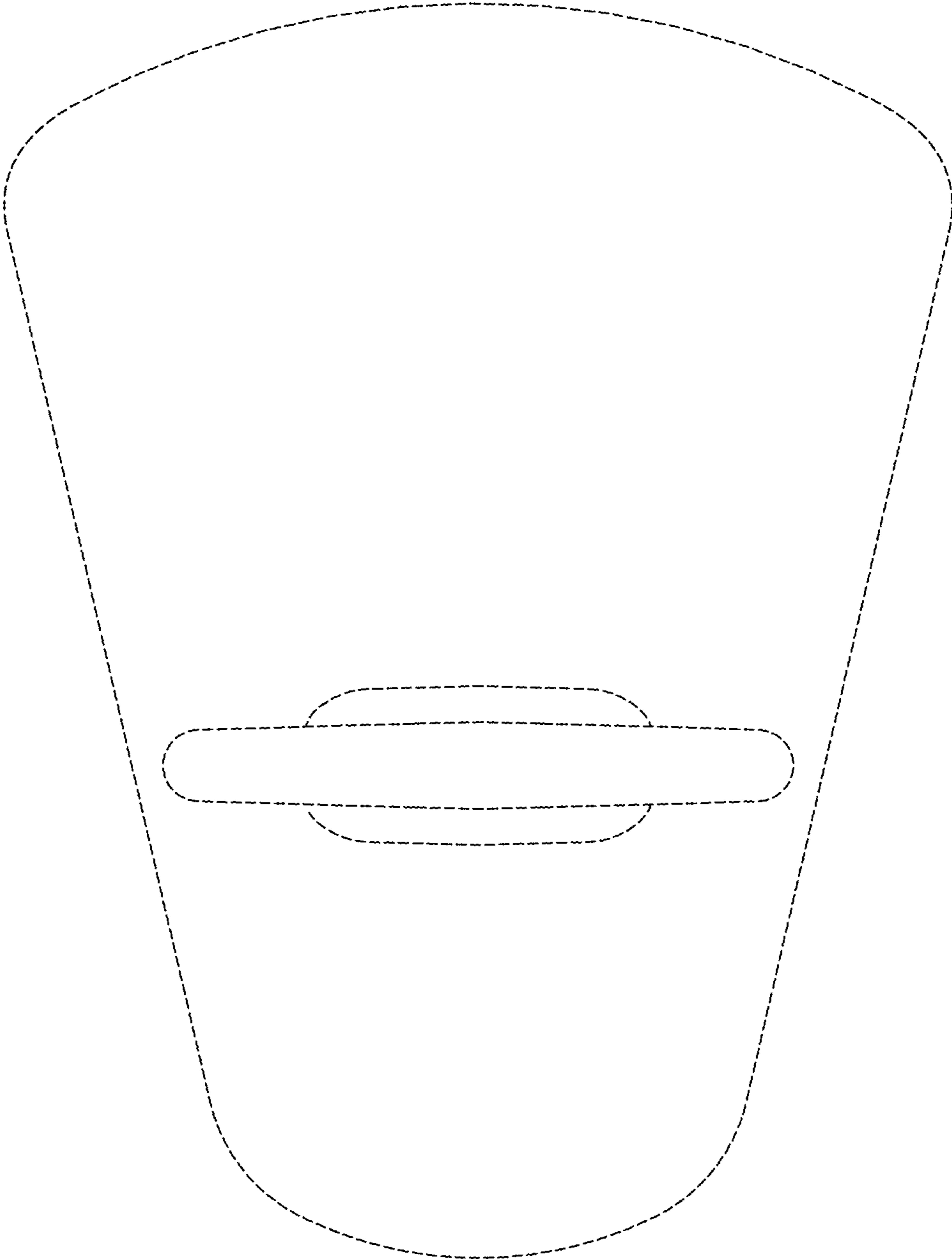


FIG. 7

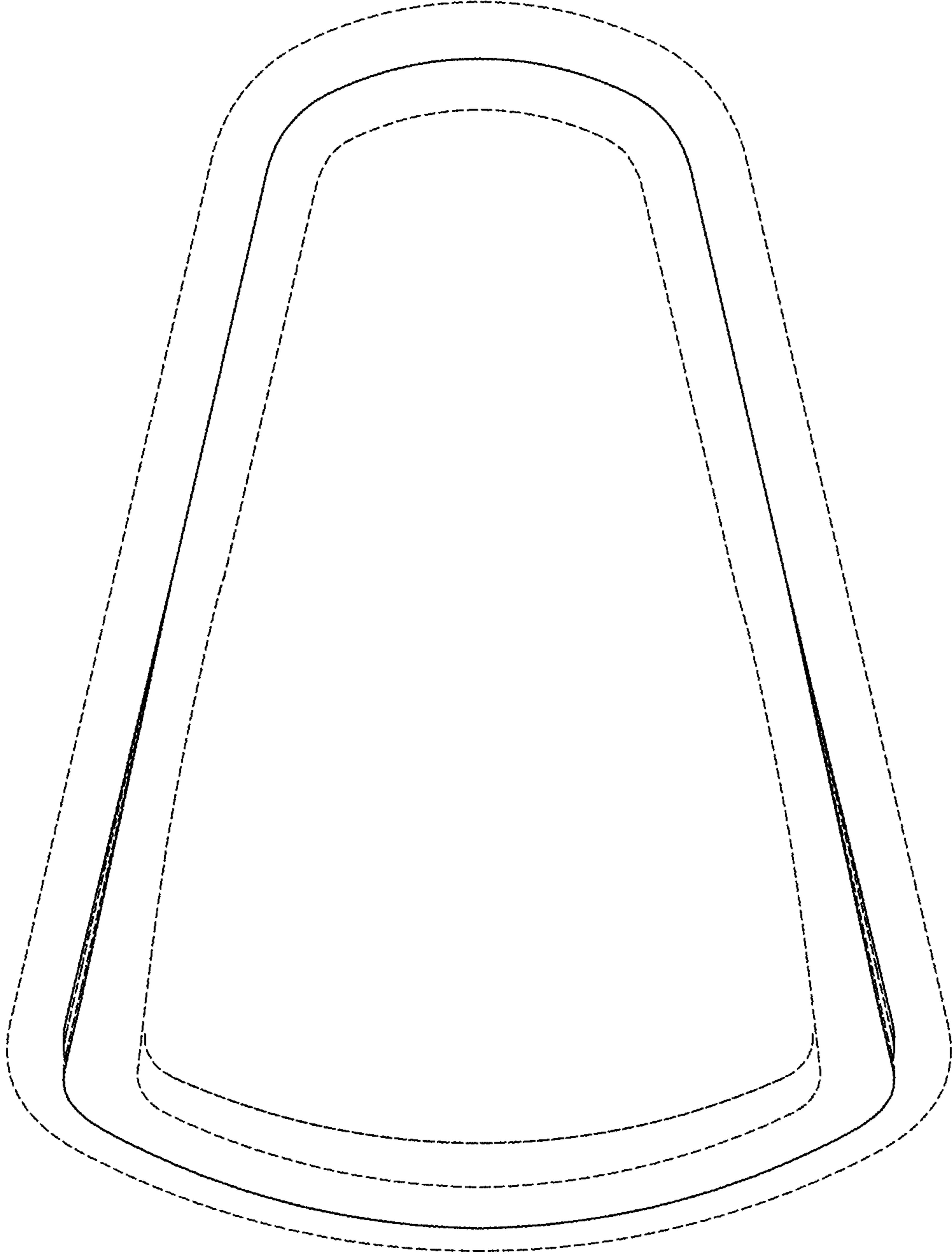


FIG.8