



US00D963473S

(12) **United States Design Patent** (10) **Patent No.:** **US D963,473 S**  
**Chatalain et al.** (45) **Date of Patent:** **\*\* Sep. 13, 2022**

(54) **PACKAGING BOX FOR SMOKERS ACCESSORIES**

- (71) Applicant: **Philip Morris Products S.A.,**  
Neuchâtel (CH)
- (72) Inventors: **Lucas Chatalain, Lausanne (CH);**  
**Charles Johnson, Pully (CH)**
- (73) Assignee: **Philip Morris Products S.A.,**  
Neuchâtel (CH)
- (\*\*) Term: **15 Years**
- (21) Appl. No.: **29/789,572**
- (22) Filed: **Sep. 30, 2021**

**Related U.S. Application Data**

- (62) Division of application No. 35/509,481, filed on Oct. 16, 2019 (U.S. filing date under 35 U.S.C. 384), and having an international filing date of Oct. 16, 2019, now Pat. No. Des. 938,818.

(30) **Foreign Application Priority Data**

- Apr. 26, 2019 (EM) ..... 006401253-0001
- Apr. 26, 2019 (EM) ..... 006401253-0002
- Apr. 26, 2019 (EM) ..... 006401253-0003

(51) **LOC (13) Cl.** ..... **09-01**

(52) **U.S. Cl.**  
USPC ..... **D9/420; D9/432; D27/189**

(58) **Field of Classification Search**  
USPC ..... D9/414, 420, 422, 426, 430-432;  
D27/172, 186, 187, 189, 190-192  
CPC ..... B65D 5/009; B65D 5/32; B65D 5/0085;  
B65D 5/322; B65D 5/427; B65D 5/5253;  
B65D 5/5495; B65D 21/0201; B65D  
21/0204; B65D 25/04; B65D 71/70;  
B65D 77/006; B65D 85/1063; B65D  
85/1072

See application file for complete search history.

(56) **References Cited**

U.S. PATENT DOCUMENTS

D136,319 S	9/1943	New	
3,029,937 A	4/1962	Vogt	
D274,889 S	7/1984	Sullivan	
D397,826 S	9/1998	McDiarmid	
D570,682 S	6/2008	Erden	
D620,788 S	8/2010	Hainaut et al.	
D625,995 S	10/2010	Vovan et al.	
D650,267 S	12/2011	Gibson et al.	
D700,840 S	3/2014	Vernon et al.	
D835,986 S	12/2018	Stimpson	
D854,409 S	7/2019	Parker	
D885,885 S	6/2020	Dietvorst et al.	
D911,777 S	3/2021	Spence	
D915,879 S	4/2021	Fischer et al.	
D937,080 S *	11/2021	DeMaio	D9/420
D937,082 S *	11/2021	Lopes, Jr.	D9/432

(Continued)

*Primary Examiner* — Keli L Hill

(74) *Attorney, Agent, or Firm* — Oblon, McClelland,  
Maier & Neustadt, L.L.P.

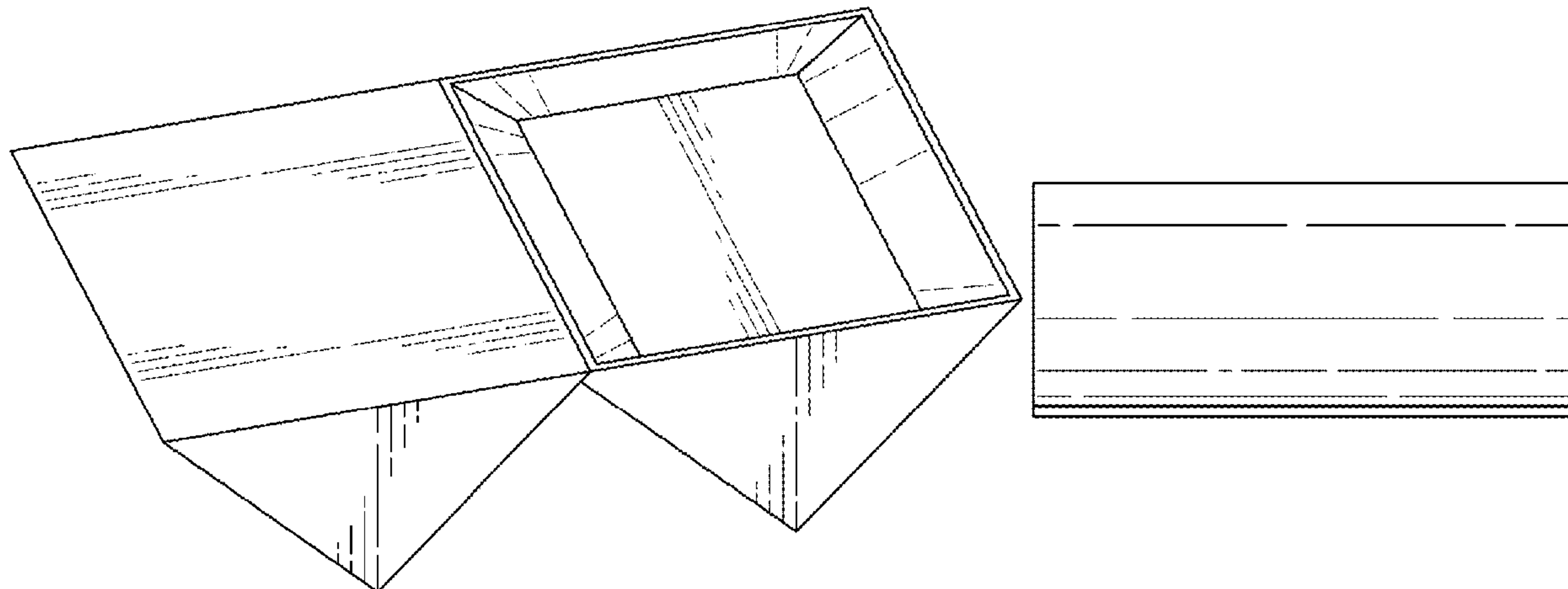
(57) **CLAIM**

The ornamental design for a packaging box for smokers accessories, as shown and described.

**DESCRIPTION**

FIG. 1 is a front and top perspective view of a packaging box for smokers accessories showing the new design.  
FIG. 2 is a front elevational view thereof.  
FIG. 3 is an enlarged view of callout circle 3 in FIG. 2.  
FIG. 4 is a left side elevational view thereof.  
FIG. 5 is a right side elevational view thereof.  
FIG. 6 is a top plan view thereof.  
FIG. 7 is a bottom plan view thereof; and,  
FIG. 8 is a rear elevational view thereof.

**1 Claim, 8 Drawing Sheets**



(56)

**References Cited**

U.S. PATENT DOCUMENTS

D938,818 S \* 12/2021 Chatalain ..... D9/420  
D940,952 S \* 1/2022 Kim ..... D27/172

\* cited by examiner

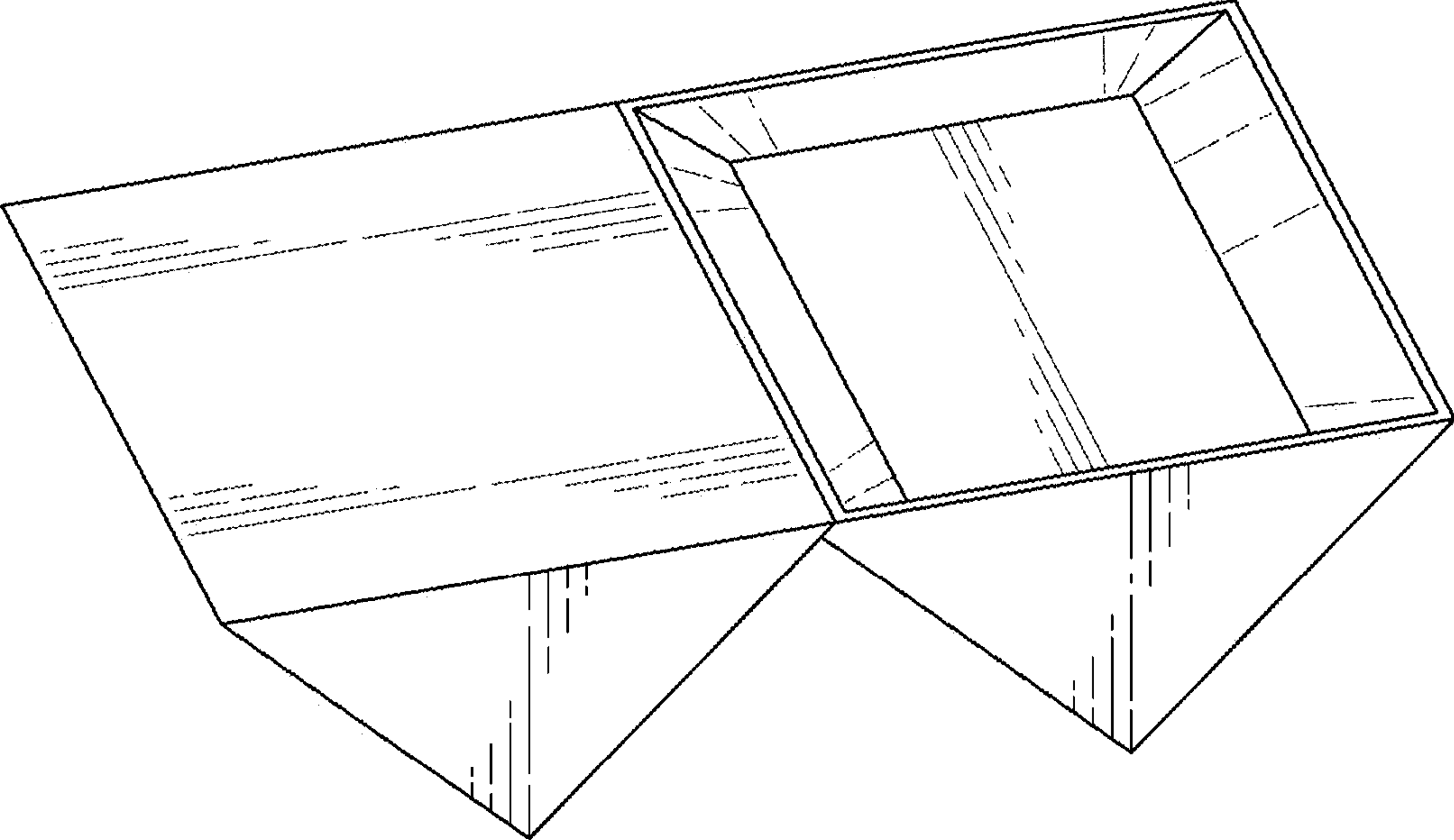


FIG. 1

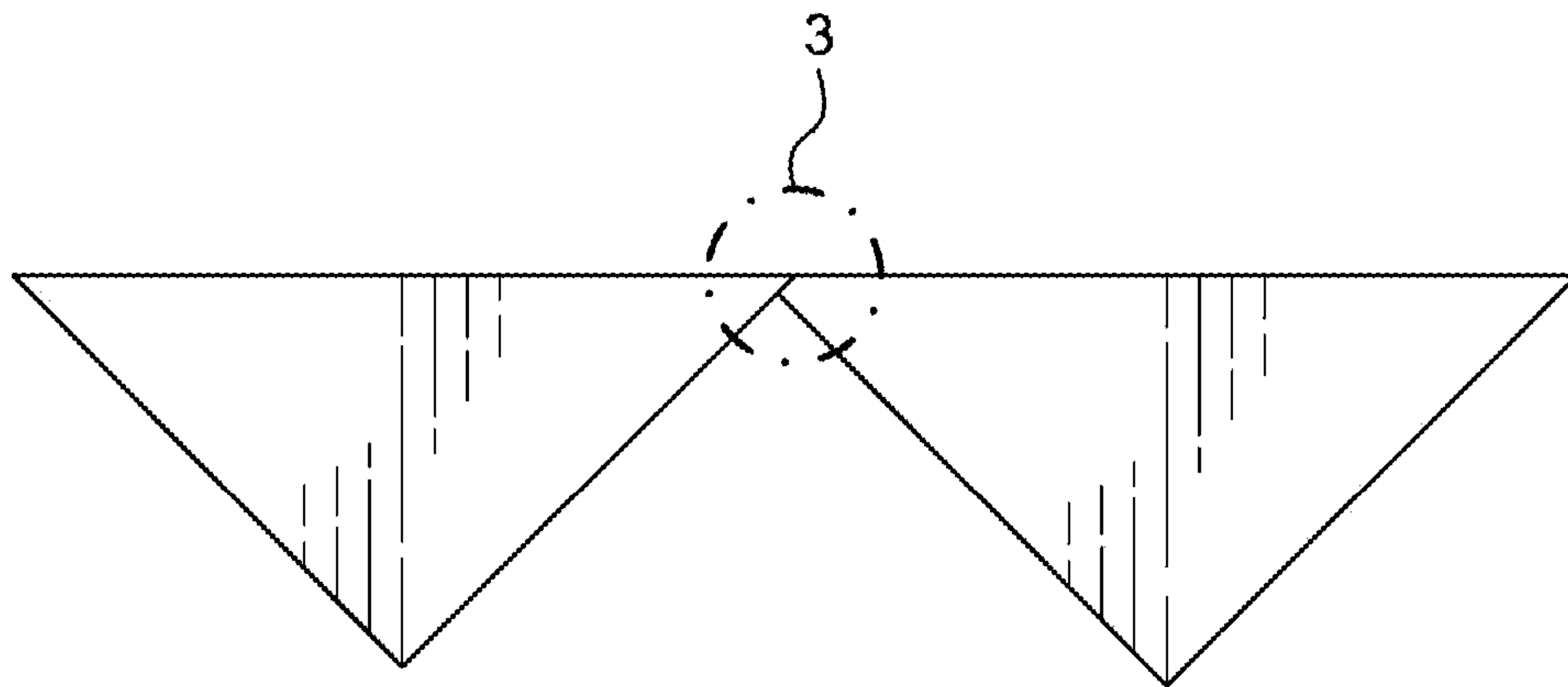


FIG. 2

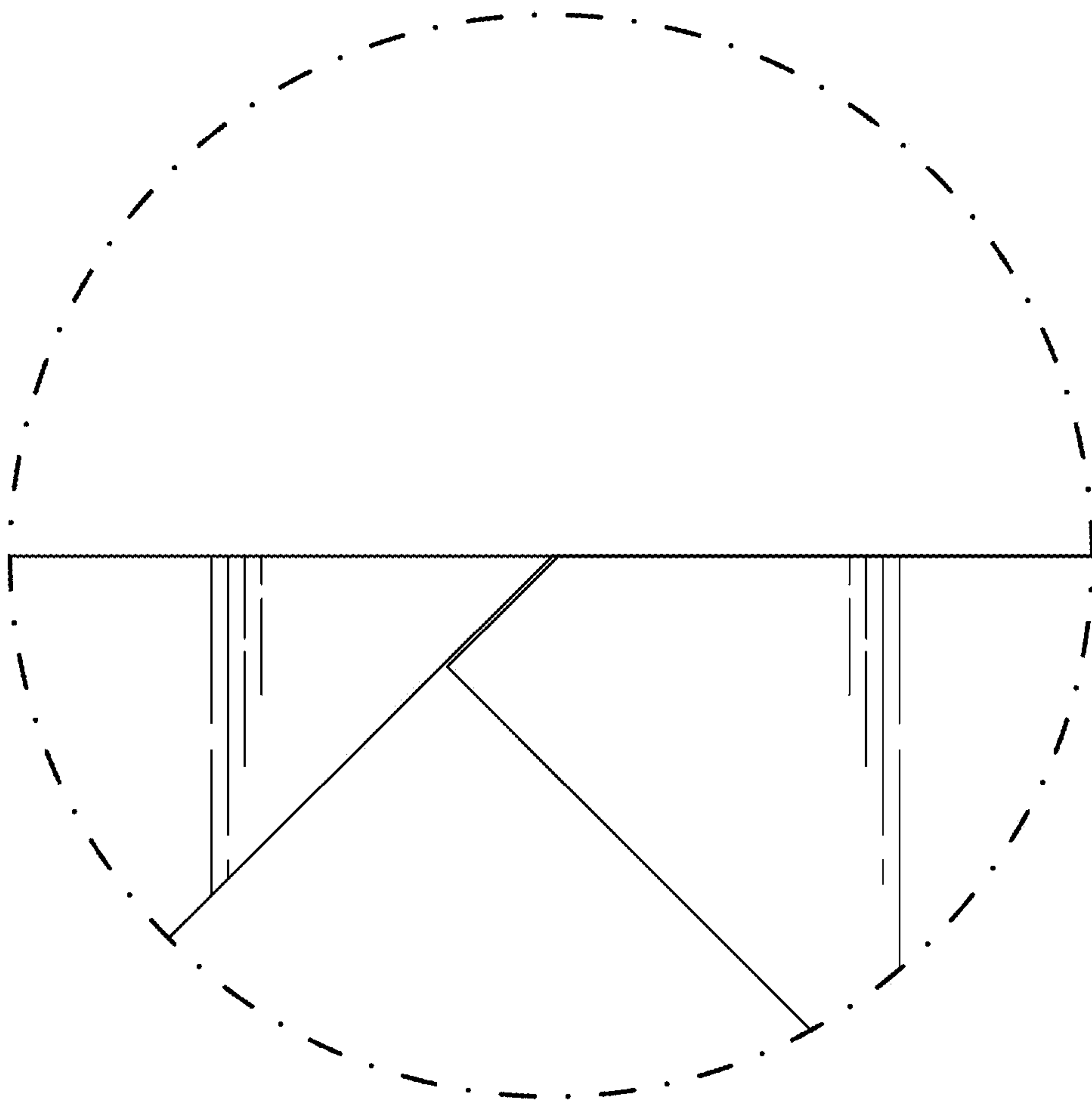


FIG. 3

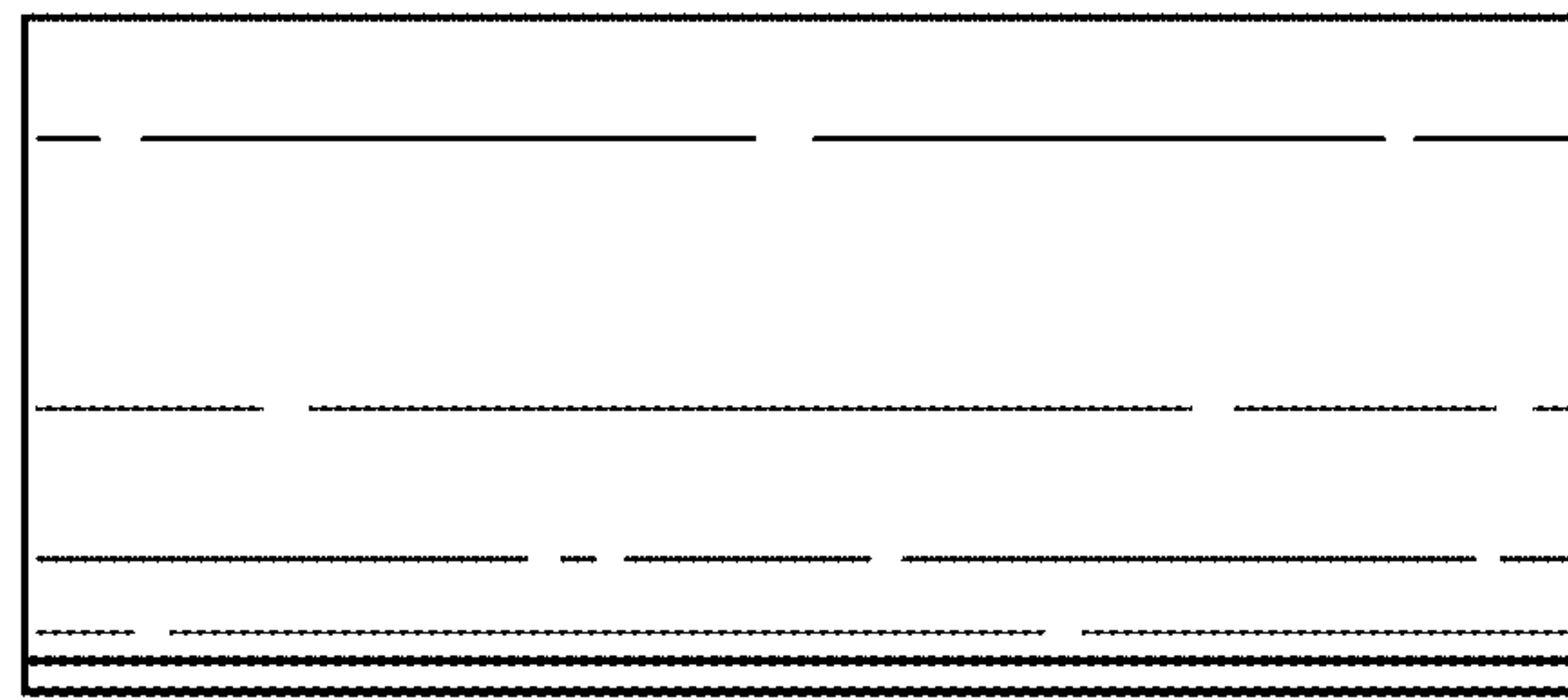


FIG. 4

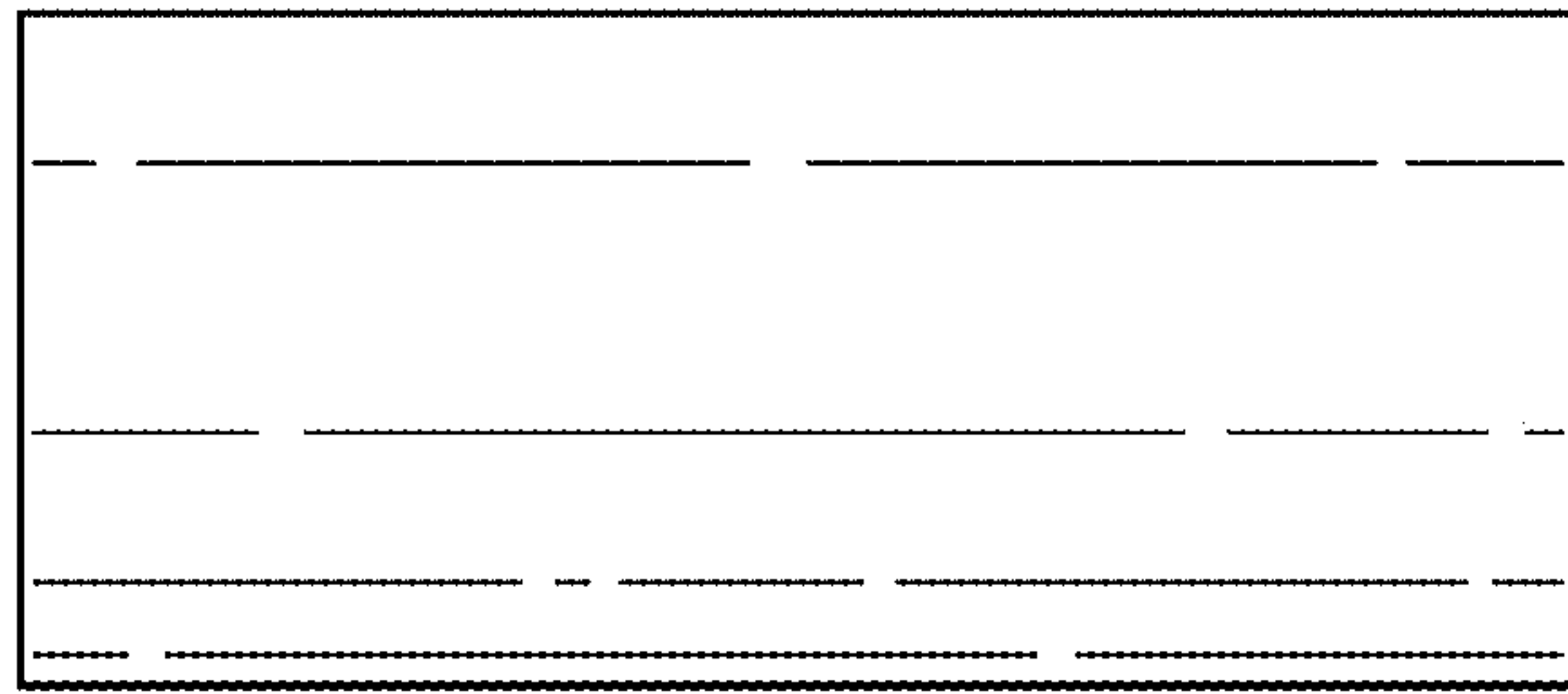


FIG. 5

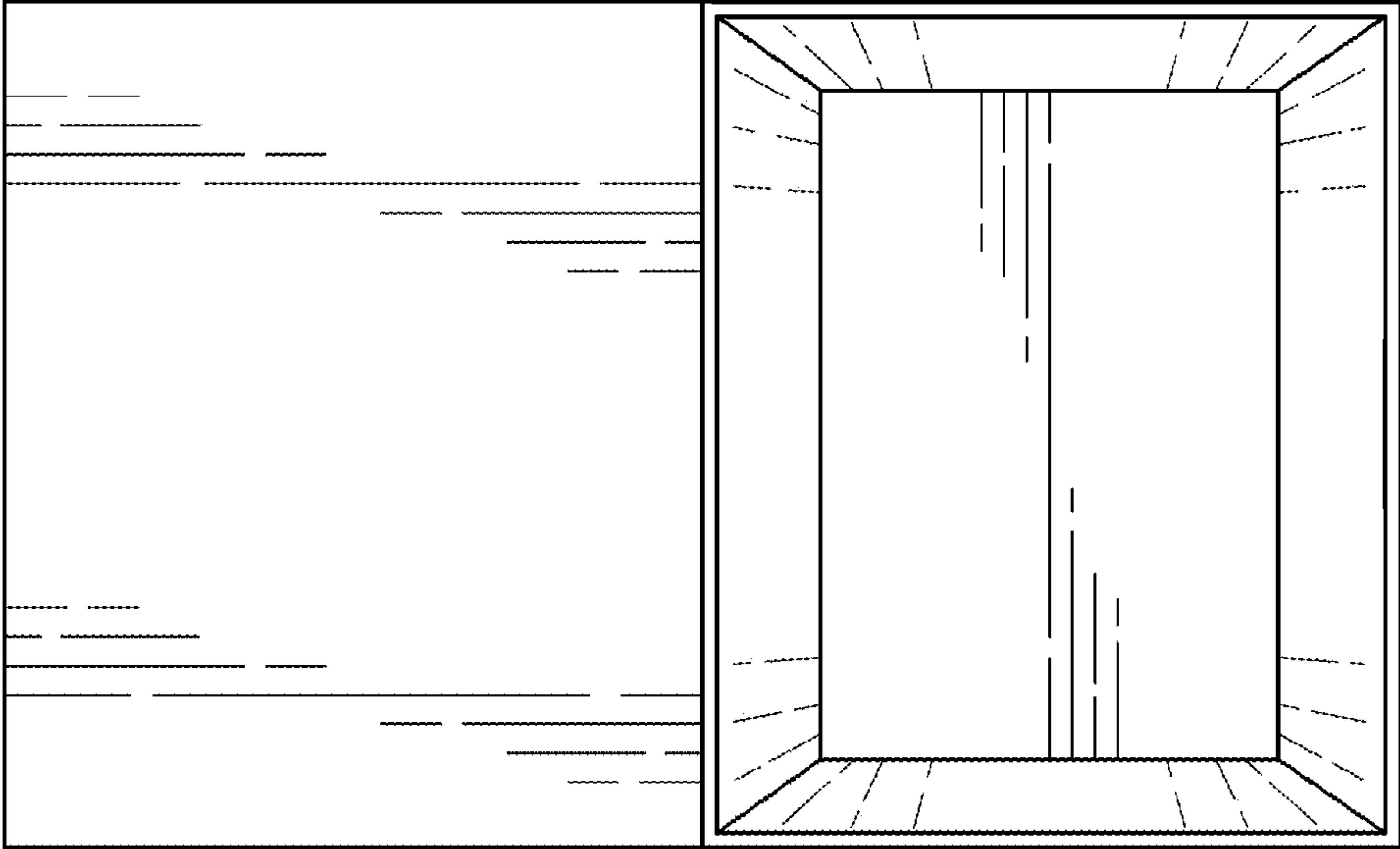


FIG. 6





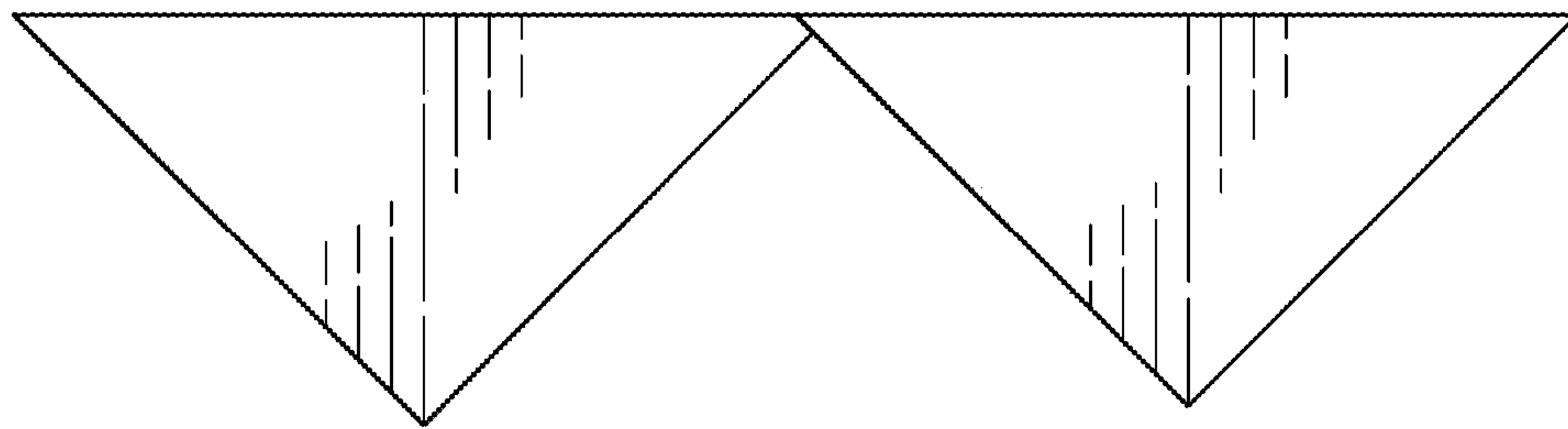


FIG. 8