



US00D963470S

(12) **United States Design Patent**
Oggier, III et al.

(10) **Patent No.:** **US D963,470 S**
(45) **Date of Patent:** **** Sep. 13, 2022**

- (54) **CONNECTOR ASSEMBLY**
- (71) Applicant: **Atomic Design, Inc.**, Lititz, PA (US)
- (72) Inventors: **Josef W. Oggier, III**, Manheim, PA (US); **Nicolas Artale**, Lancaster, PA (US)
- (73) Assignee: **Atomic Design, Inc.**, Lititz, PA (US)
- (**) Term: **15 Years**
- (21) Appl. No.: **29/707,023**
- (22) Filed: **Sep. 25, 2019**
- (51) **LOC (13) Cl.** **08-08**
- (52) **U.S. Cl.**
USPC **D8/382**
- (58) **Field of Classification Search**
USPC D8/382-383, 349, 393-397, 399, 387;
D11/79-80, 89, 93, 132
CPC A47G 1/06; A47G 1/065; A47G 1/0605;
A47G 1/0633; A47G 1/0638; A47G
1/0644; A47G 1/08; A47G 1/10; A47G
1/14; A47G 1/141; A47G 1/142; A47G
1/16; A47G 1/1606; A47G 1/1613; A47G
2001/0661; A47G 2001/0672; A47G
2001/0688; A47G 2001/148; G09F 1/12
See application file for complete search history.

- D896,624 S * 9/2020 Wang D8/382
- D898,653 S * 10/2020 Wells D12/345
- D902,120 S * 11/2020 Wells D12/345
- D906,099 S * 12/2020 Winter D8/387
- D906,797 S * 1/2021 Carmona D8/387
- D907,474 S * 1/2021 Buckley D8/396
- D909,856 S * 2/2021 Cobzaru D8/387
- D912,502 S * 3/2021 Cook D8/387
- D918,700 S * 5/2021 Ricehouse D8/387

(Continued)

Primary Examiner — Karen S Acker
Assistant Examiner — Elizabeth S Ko
(74) *Attorney, Agent, or Firm* — Barley Snyder

(57) **CLAIM**

The ornamental design for a connector assembly, as shown and described.

DESCRIPTION

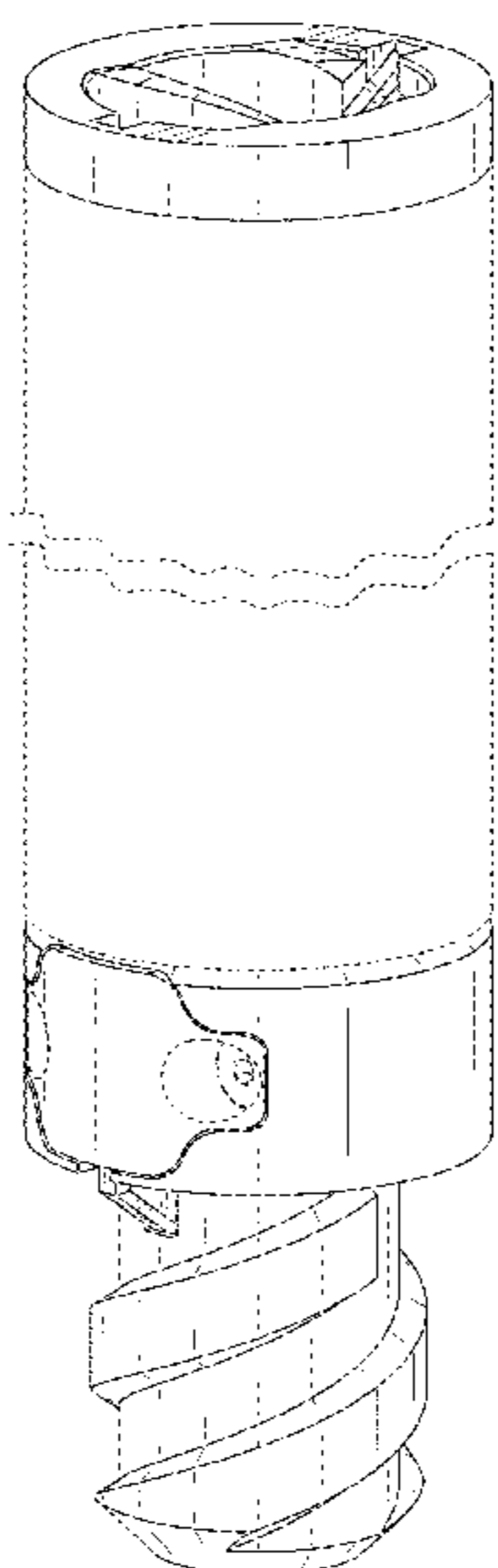
FIG. 1 is a front, right, top perspective view of a connector assembly, showing the new design;
FIG. 2 is a front elevation view thereof;
FIG. 3 is a rear elevation view thereof;
FIG. 4 is a left side elevation view thereof;
FIG. 5 is a right side elevation view thereof;
FIG. 6 is a top plan view thereof;
FIG. 7 is a bottom plan view thereof;
FIG. 8 is a front, left, bottom perspective view thereof;
FIG. 9 is a front, right, bottom perspective view thereof;
FIG. 10 is a rear, left, bottom perspective view thereof;
FIG. 11 is another front, right, top perspective view of the connector assembly;
FIG. 12 is a cross sectional view of the connector assembly of FIG. 12; and,
FIG. 13 is another cross sectional view of the connector assembly of FIG. 12.
The broken lines shown in the Figures are included to show unclaimed subject matter only and form no part of the claimed design.

1 Claim, 8 Drawing Sheets

(56) **References Cited**

U.S. PATENT DOCUMENTS

- D272,718 S * 2/1984 Knudson D8/382
- D283,591 S * 4/1986 Swanstrom D8/382
- D375,843 S * 11/1996 Wolfenden D4/199
- D657,232 S * 4/2012 Stahl, Sr. D8/354
- D721,266 S * 1/2015 Sun D8/382
- D805,883 S * 12/2017 Evitt D8/382
- D807,158 S * 1/2018 Wu D8/382
- D812,725 S * 3/2018 Sato D23/262
- D874,256 S * 2/2020 Cheng D8/399
- D874,257 S * 2/2020 Cheng D8/399



(56)

References Cited

U.S. PATENT DOCUMENTS

D918,701 S * 5/2021 Ricehouse D8/387
D920,774 S * 6/2021 Cobzaru D8/397
D921,479 S * 6/2021 Smith D8/387

* cited by examiner

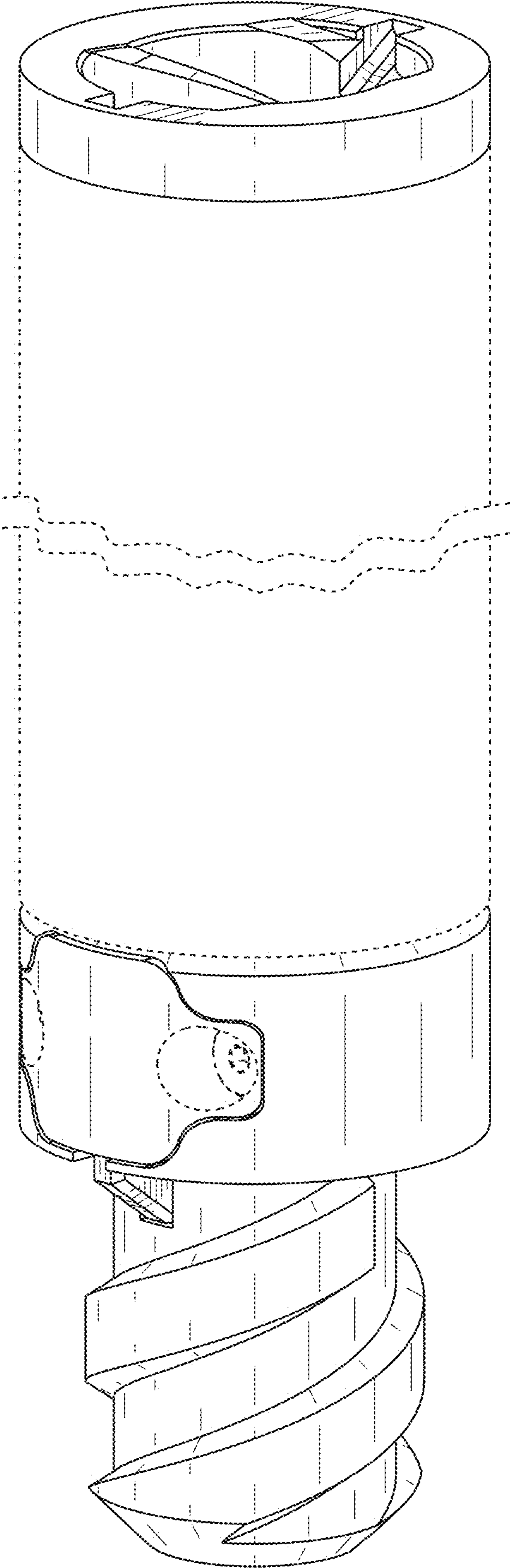


FIG. 1

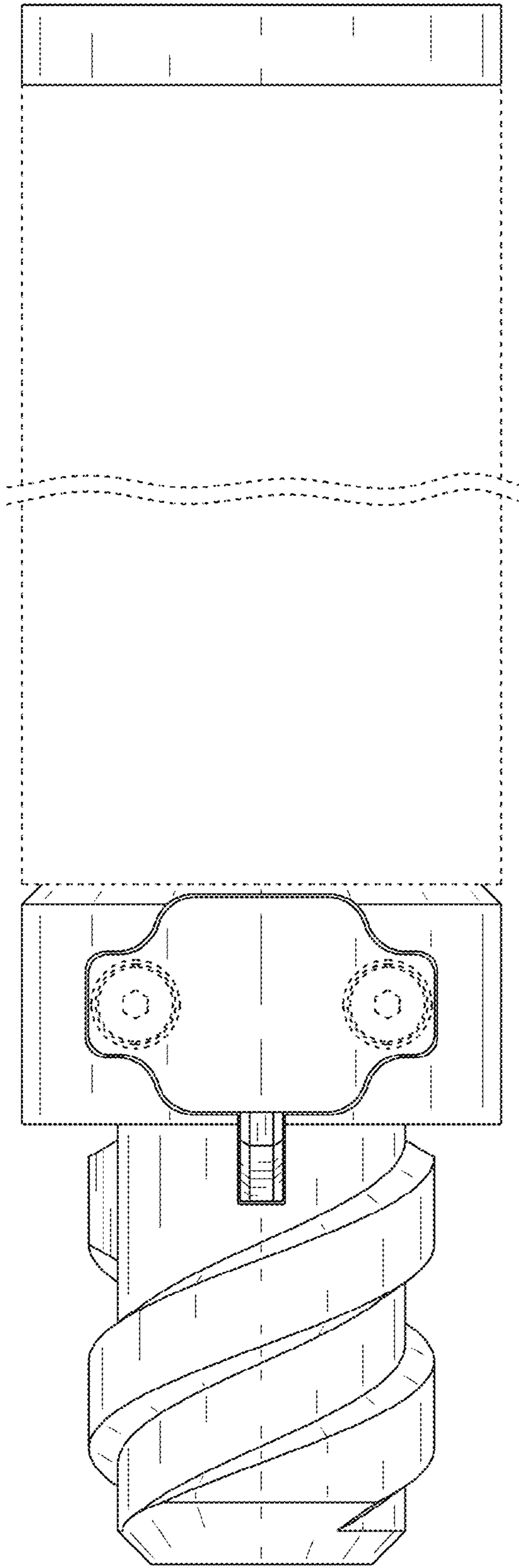


FIG. 2

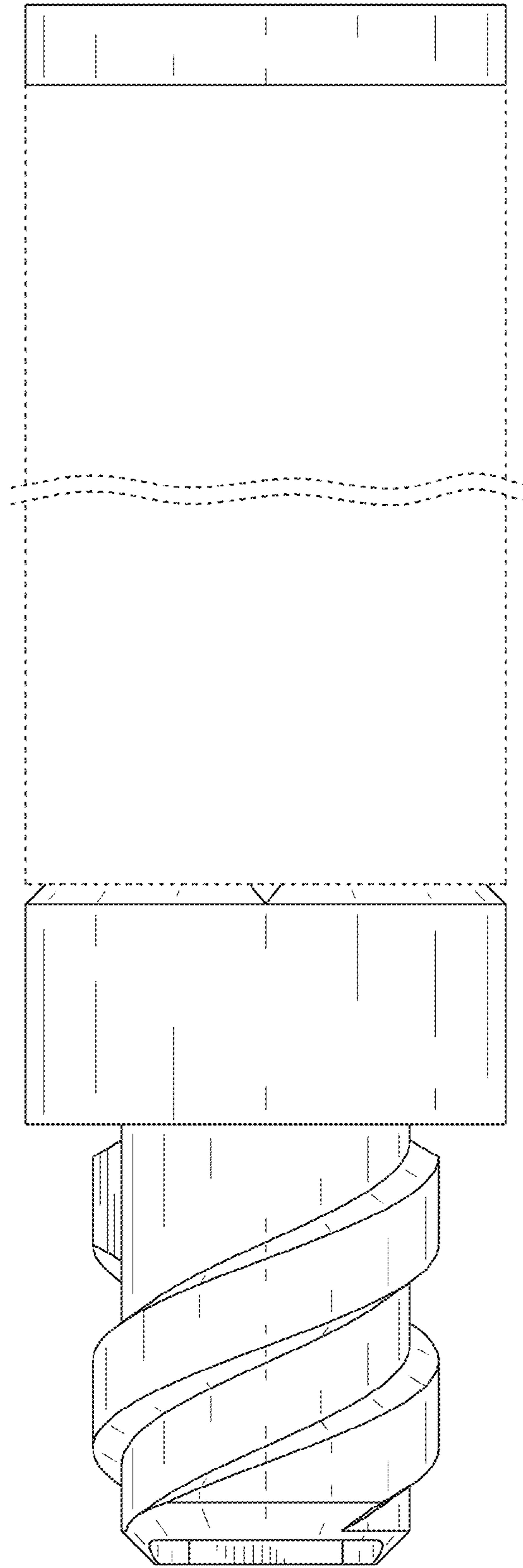


FIG. 3

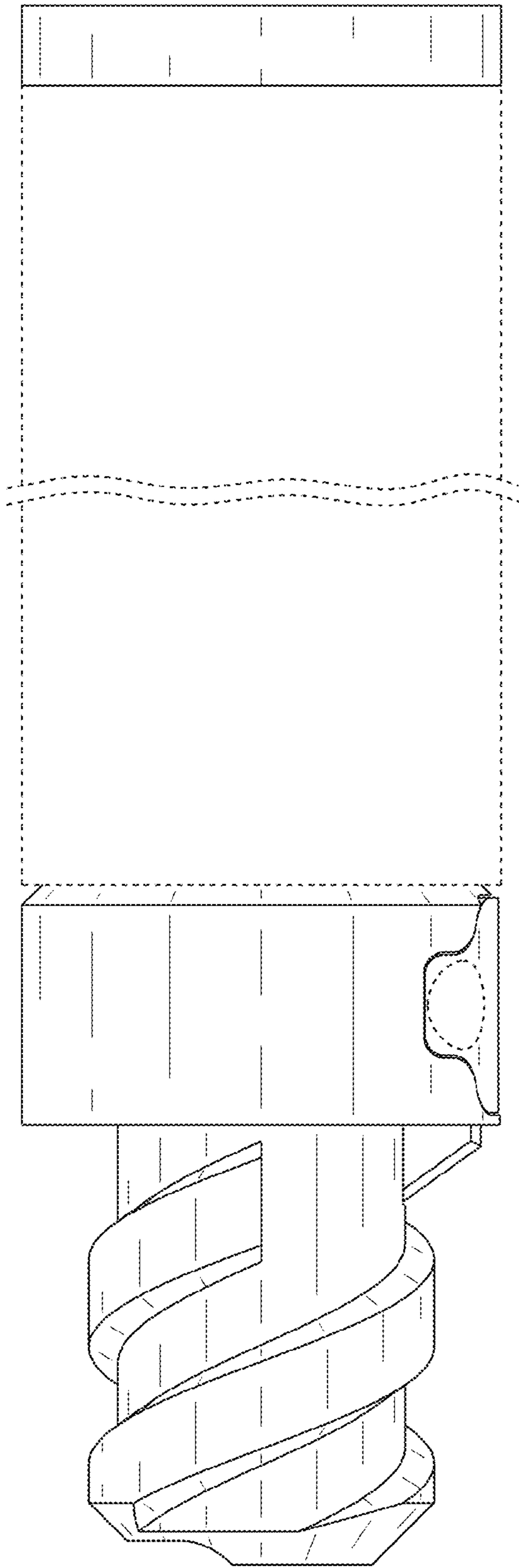


FIG. 4

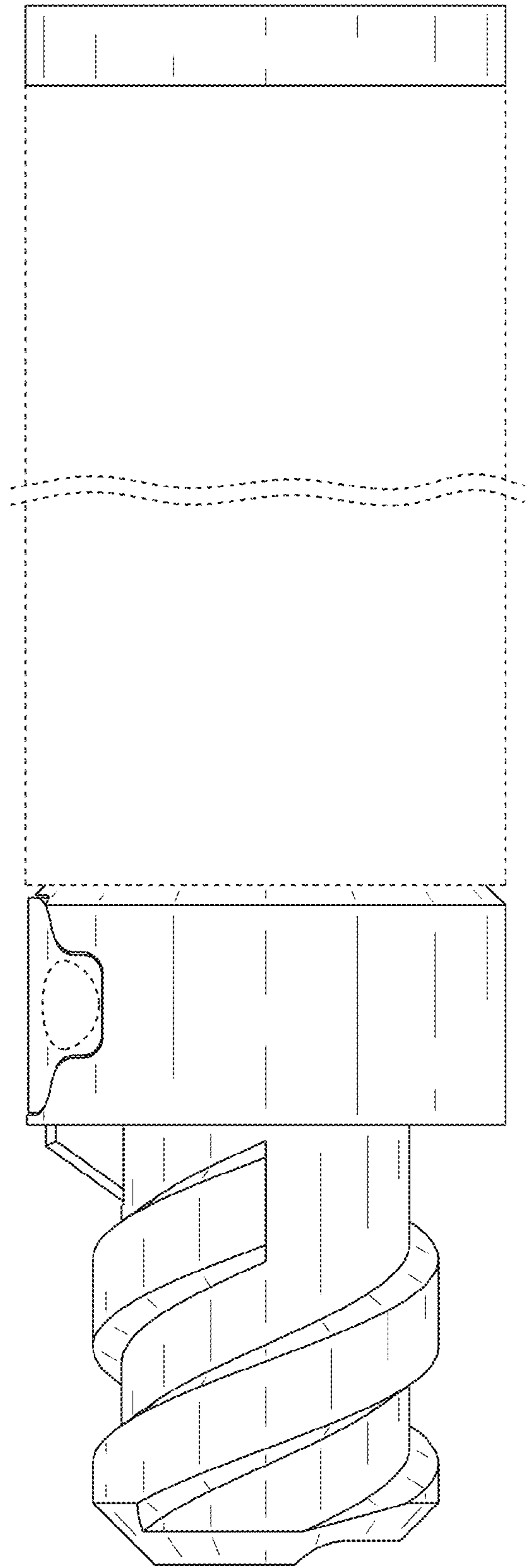


FIG. 5

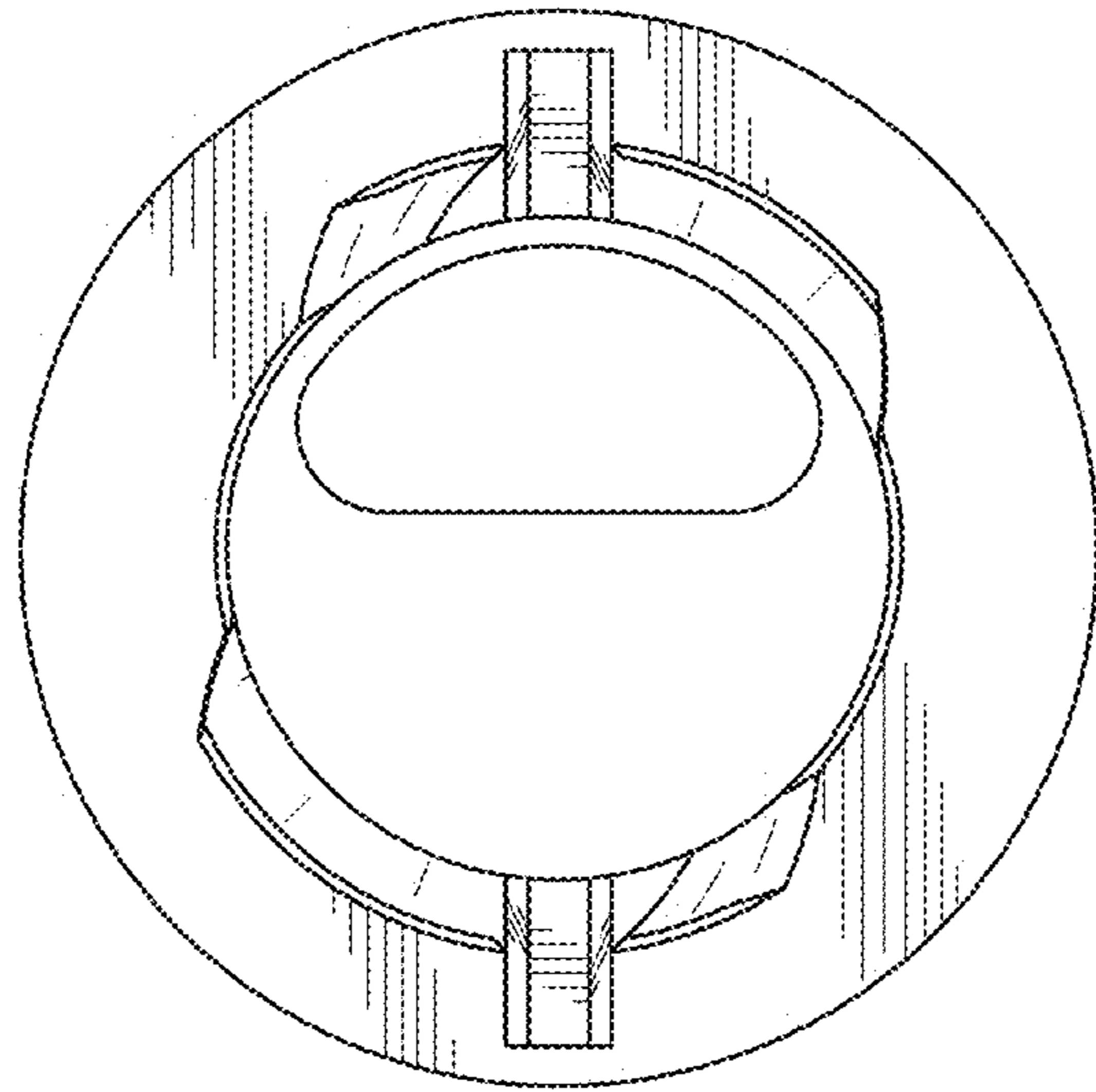


FIG. 6

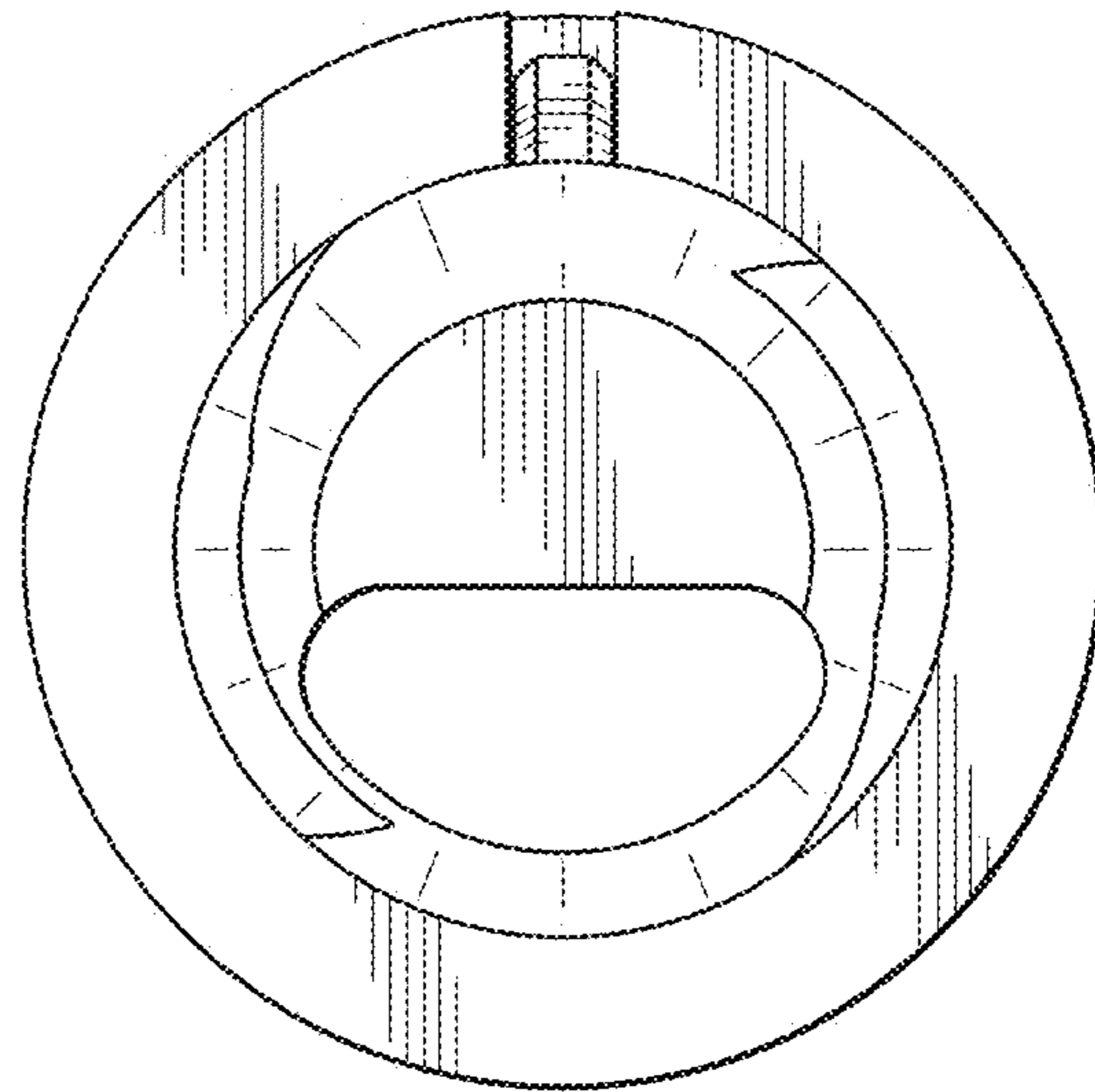


FIG. 7

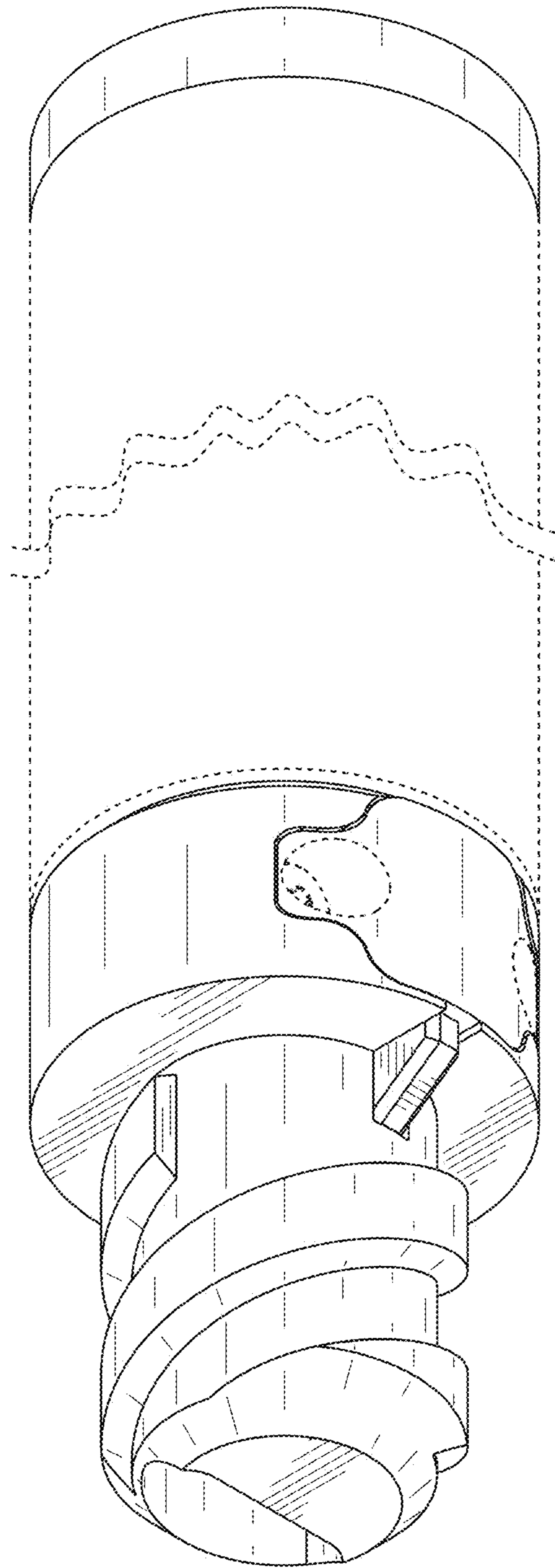


FIG. 8

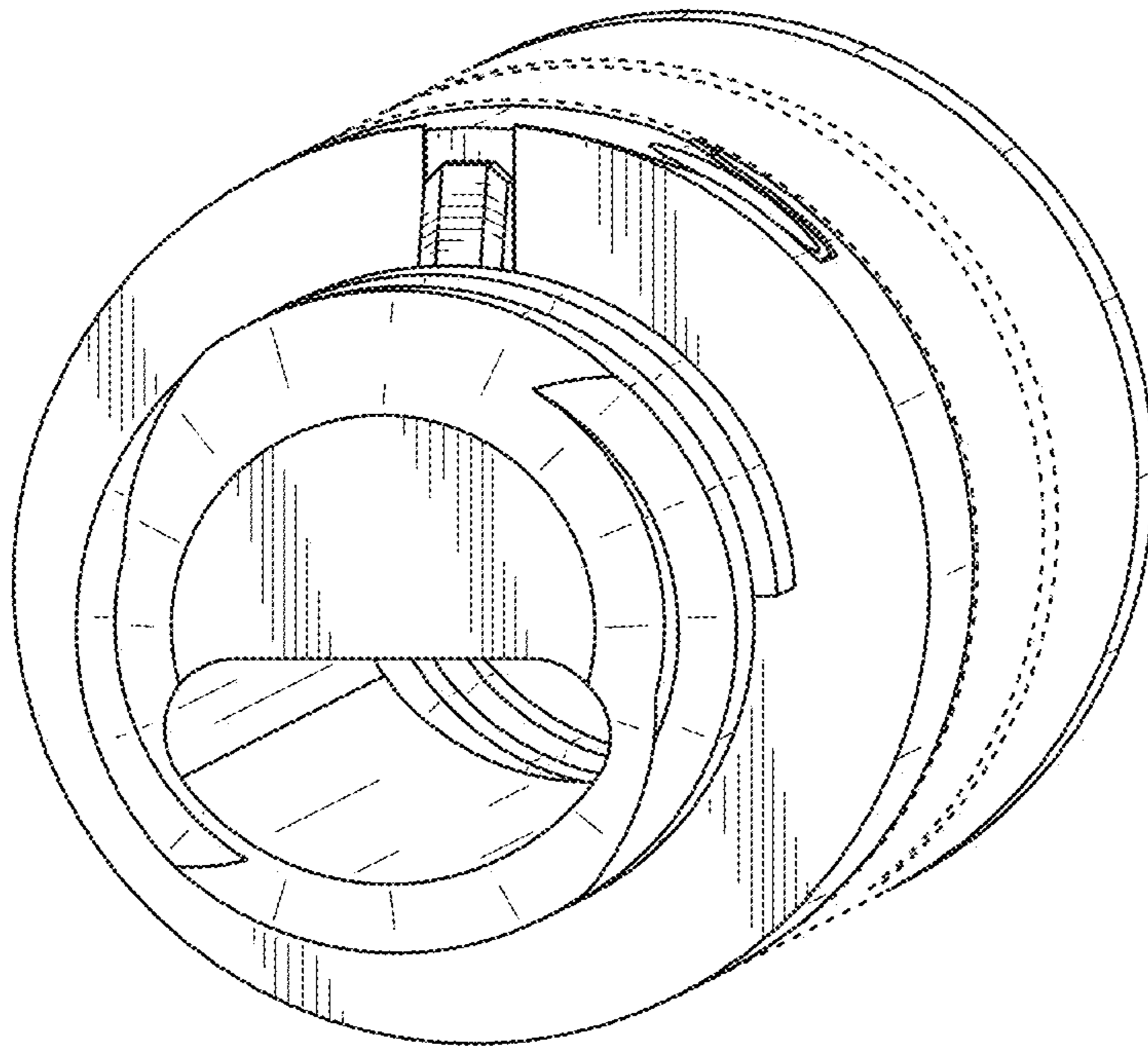


FIG. 9

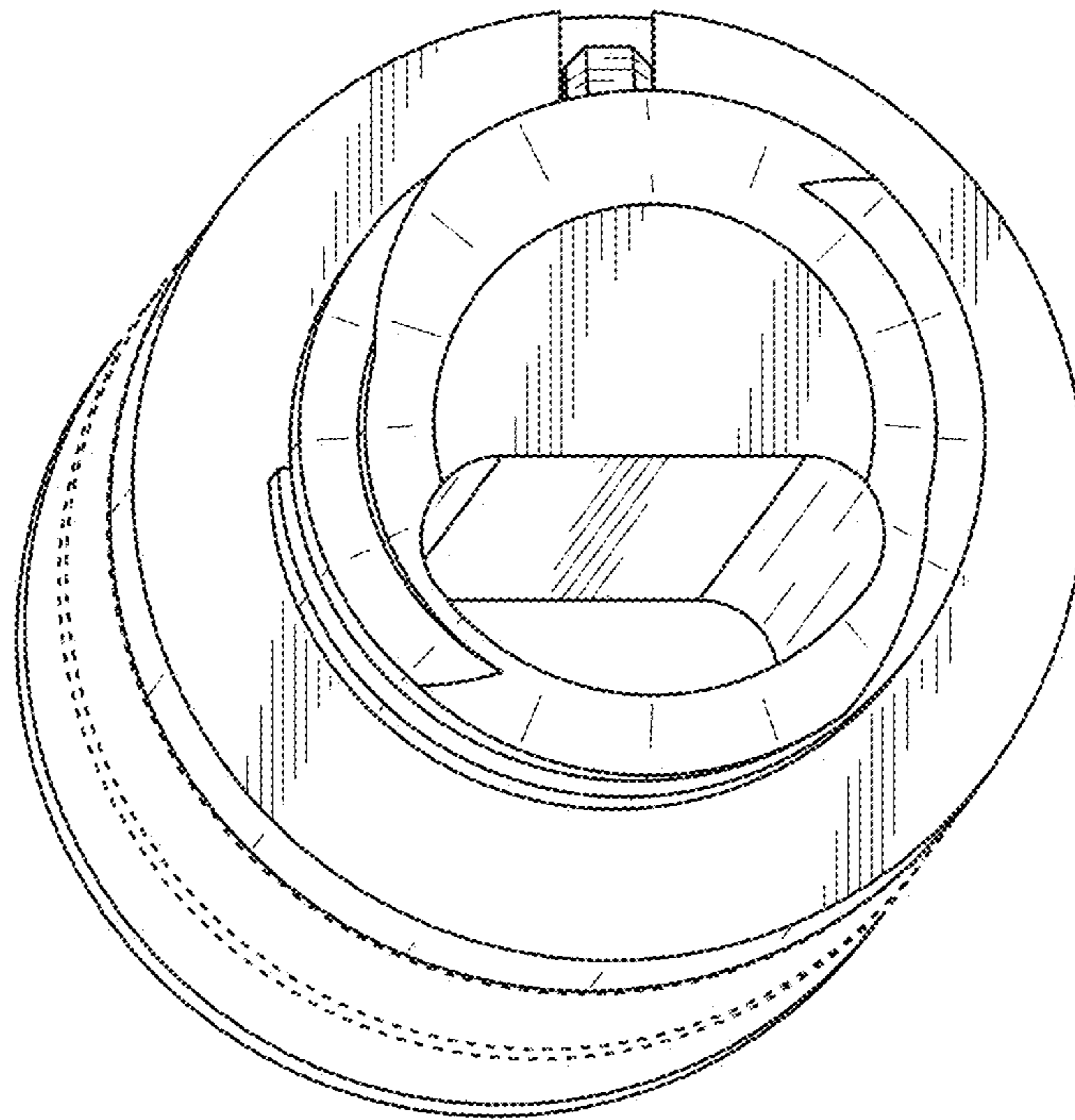


FIG. 10

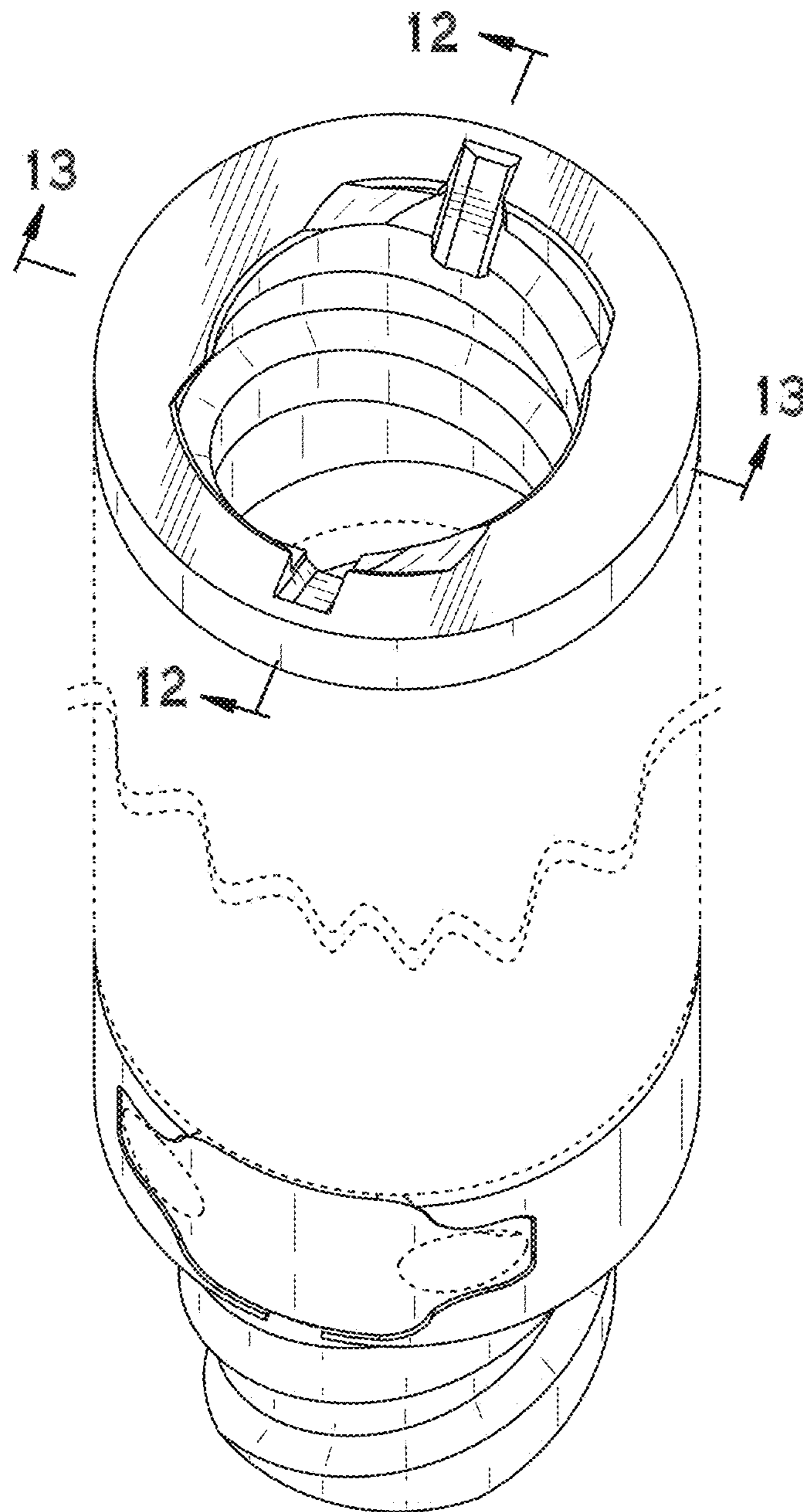


FIG. 11

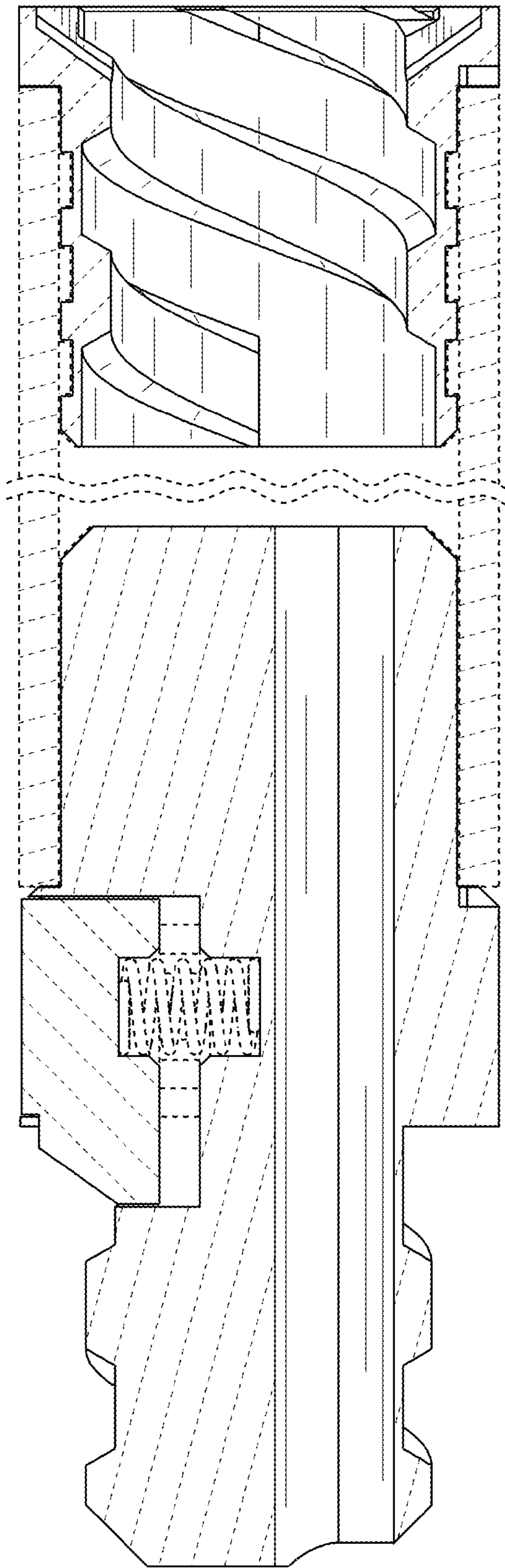


FIG. 12

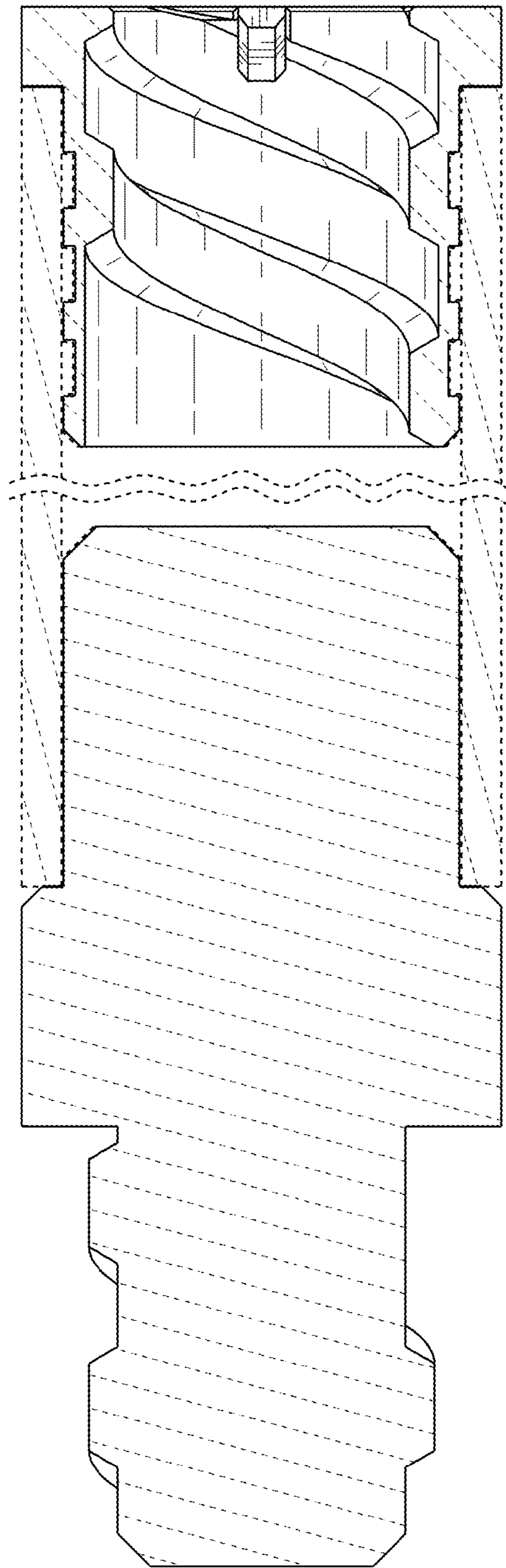


FIG. 13