



US00D963469S

(12) **United States Design Patent**  
**Anselmo**

(10) **Patent No.:** **US D963,469 S**  
(45) **Date of Patent:** **\*\* Sep. 13, 2022**

(54) **MOUNTING BRACKET**

(71) Applicant: **Salvatore Anselmo**, Rochester, NY  
(US)

(72) Inventor: **Salvatore Anselmo**, Rochester, NY  
(US)

(\*\*) Term: **15 Years**

(21) Appl. No.: **29/808,515**

(22) Filed: **Sep. 20, 2021**

(51) **LOC (13) Cl.** ..... **08-11**

(52) **U.S. Cl.**  
USPC ..... **D8/373; D14/452**

(58) **Field of Classification Search**  
USPC ..... D8/354, 363, 373; D14/238, 451, 452  
CPC ..... A47B 2097/005; A47B 96/061; G03B  
17/561; Y10T 403/32311  
See application file for complete search history.

(56) **References Cited**

**U.S. PATENT DOCUMENTS**

- 1,770,721 A \* 7/1930 Willis ..... B23Q 1/5462  
408/72 R
- 2,834,506 A \* 5/1958 Schaefer, Jr. .... A47K 10/424  
D34/10
- 2,841,772 A \* 7/1958 Sloop ..... H01F 27/06  
174/148
- 3,265,257 A \* 8/1966 Buonamici ..... A47F 8/00  
446/379
- 3,858,836 A \* 1/1975 Marcyan ..... G01B 5/0002  
403/313
- D244,083 S \* 4/1977 Pfeiffer ..... H04R 1/026  
D8/373
- D244,748 S \* 6/1977 Canterbury ..... D8/380  
(Continued)

**FOREIGN PATENT DOCUMENTS**

EM 001214480 \* 7/2010

*Primary Examiner* — Rachel A. Voorhies  
*Assistant Examiner* — Benjamin D. Wannemacher

(74) *Attorney, Agent, or Firm* — Tracy Jong Law Firm;  
Tracy P. Jong; Cheng Ning Jong

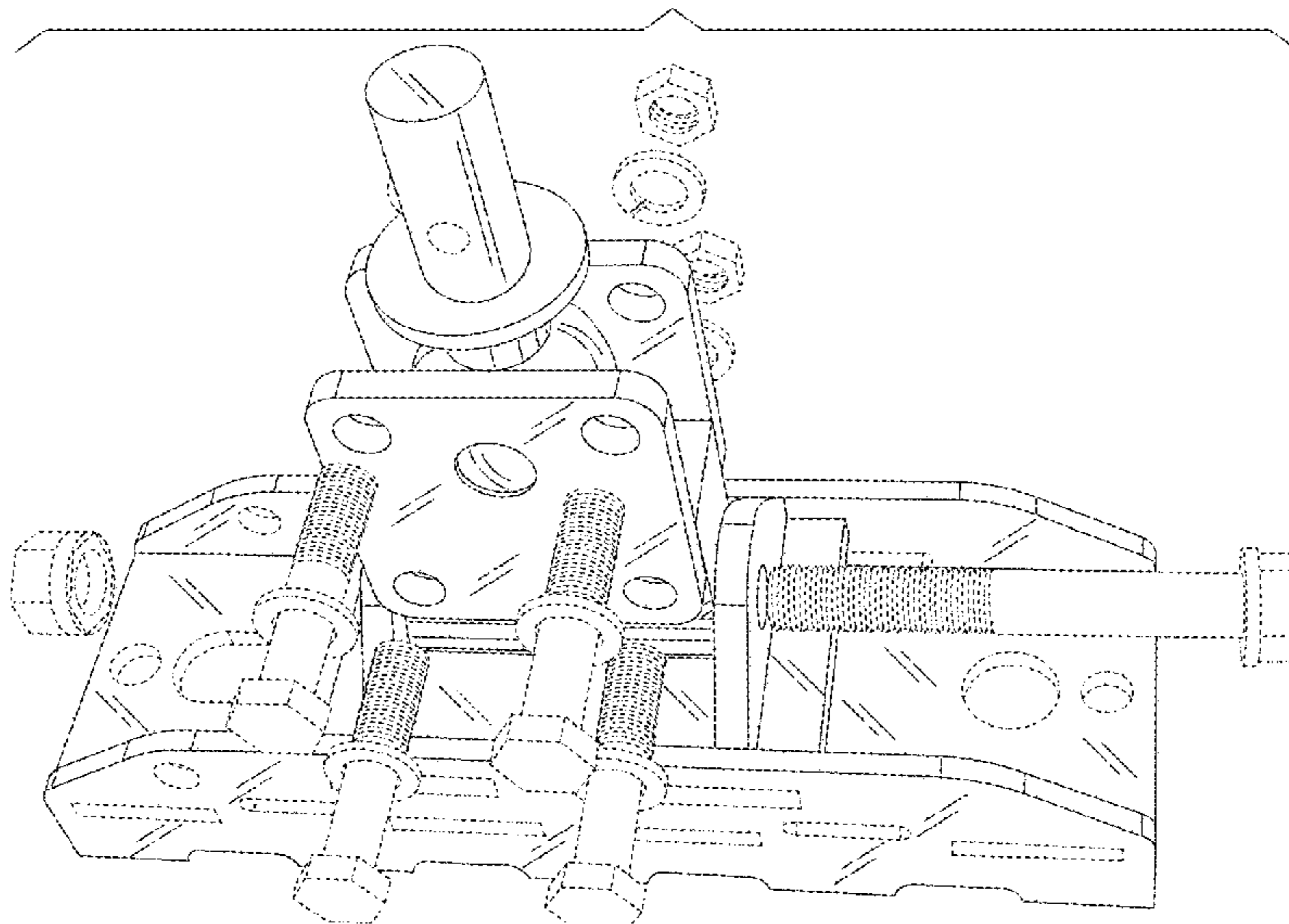
(57) **CLAIM**

The ornamental design for a mounting bracket, as shown and described.

**DESCRIPTION**

FIG. 1 is a right side view of a mounting bracket, showing my new design;  
 FIG. 2 is a left side view thereof;  
 FIG. 3 is a bottom view thereof;  
 FIG. 4 is a top view thereof;  
 FIG. 5 is a front view thereof;  
 FIG. 6 is a rear view thereof;  
 FIG. 7 is a top, side view thereof;  
 FIG. 8 is a top, side view of a mounting bracket, shown within an exploded view of a first environment of use;  
 FIG. 9 is a left side view of a mounting bracket, shown within a second environment of use;  
 FIG. 10 is a right side view thereof;  
 FIG. 11 is a bottom view thereof;  
 FIG. 12 is a top view thereof;  
 FIG. 13 is a front view thereof;  
 FIG. 14 is a rear view thereof;  
 FIG. 15 is a top, side view thereof;  
 FIG. 16 is a top, side view of a mounting bracket, shown within a third environment of use;  
 FIG. 17 is a top, side view of a mounting bracket, shown within the third environment of use with a top part disposed in a rotated position; and,  
 FIG. 18 is a top, side view of a mounting bracket, shown within a fourth environment of use.  
 In FIGS. 1-7, the broken lines depict portions of the article that form no part of the claimed design. In FIGS. 8-18, the broken lines depict both environmental subject matter and portions of the article that form no part of the claimed design.

**1 Claim, 15 Drawing Sheets**



(56)

**References Cited**

U.S. PATENT DOCUMENTS

D441,273 S \* 5/2001 O'Donnell ..... D8/349  
6,467,745 B1 \* 10/2002 Sickels ..... H04R 1/026  
248/242  
D502,956 S \* 3/2005 Holmes ..... F16M 13/022  
396/428  
D534,789 S \* 1/2007 Worrall ..... F16M 11/2064  
D8/363  
D539,127 S \* 3/2007 Ly Hau ..... F16M 13/022  
D8/373  
D543,439 S \* 5/2007 Brassard ..... H01Q 3/08  
D8/373  
D566,531 S \* 4/2008 Massoumi ..... D14/452  
D822,011 S \* 7/2018 Namala ..... D14/239  
D829,533 S \* 10/2018 Kanter ..... D8/354  
D944,631 S \* 3/2022 Fehr ..... D8/373  
2002/0113178 A1 \* 8/2002 Ligertwood ..... F16M 11/28  
248/158  
2004/0211868 A1 \* 10/2004 Holmes ..... F16M 13/022  
248/231.71  
2005/0044769 A1 \* 3/2005 Ruiz ..... A01K 97/10  
43/21.2  
2006/0075875 A1 \* 4/2006 Membreno ..... G10G 7/02  
84/394  
2006/0237608 A1 \* 10/2006 Hanson ..... F16M 11/2064  
248/276.1  
2008/0061197 A1 \* 3/2008 Carnevali ..... F16M 13/022  
248/181.1  
2019/0123440 A1 \* 4/2019 Henneberry ..... H01Q 3/08

\* cited by examiner

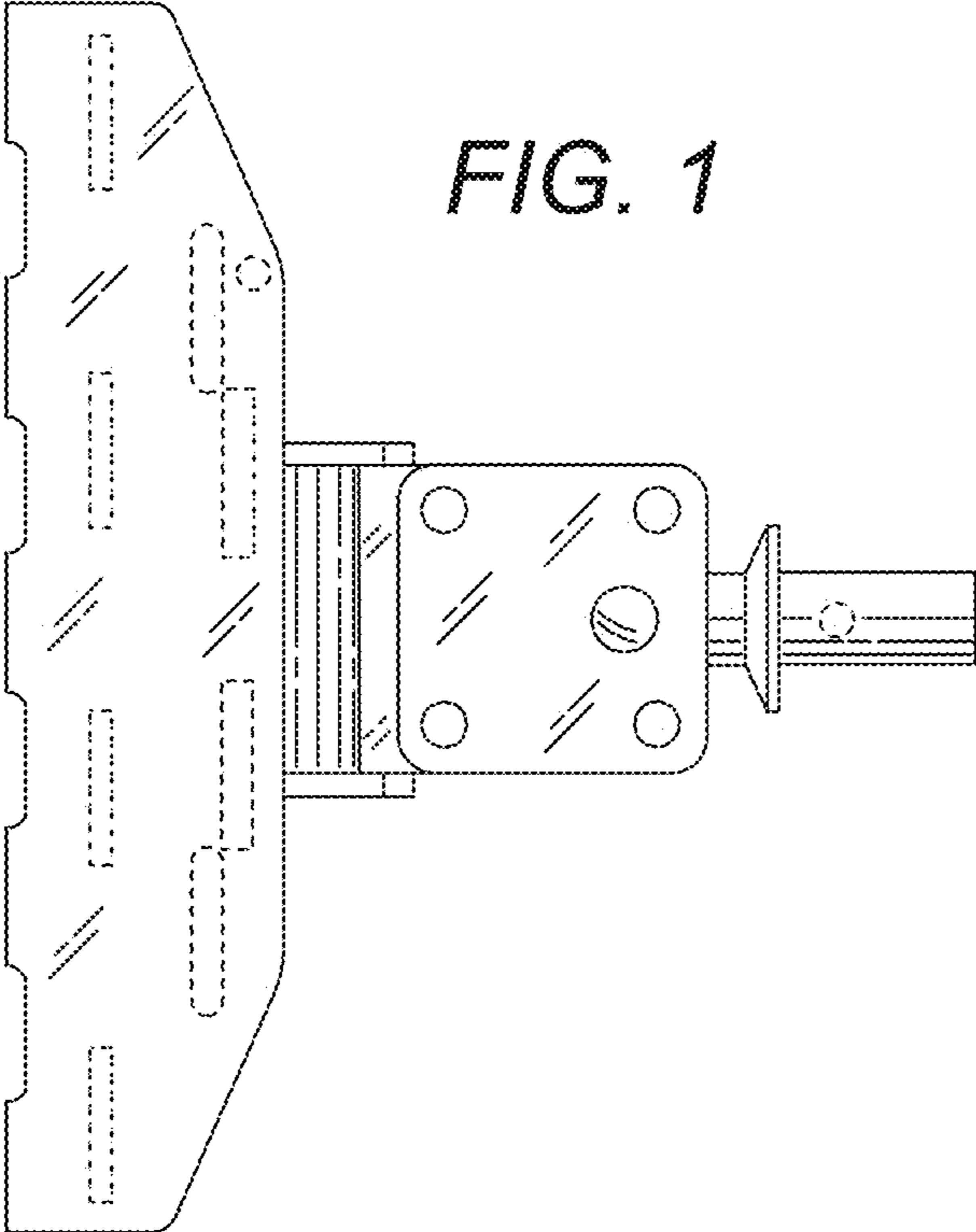


FIG. 1

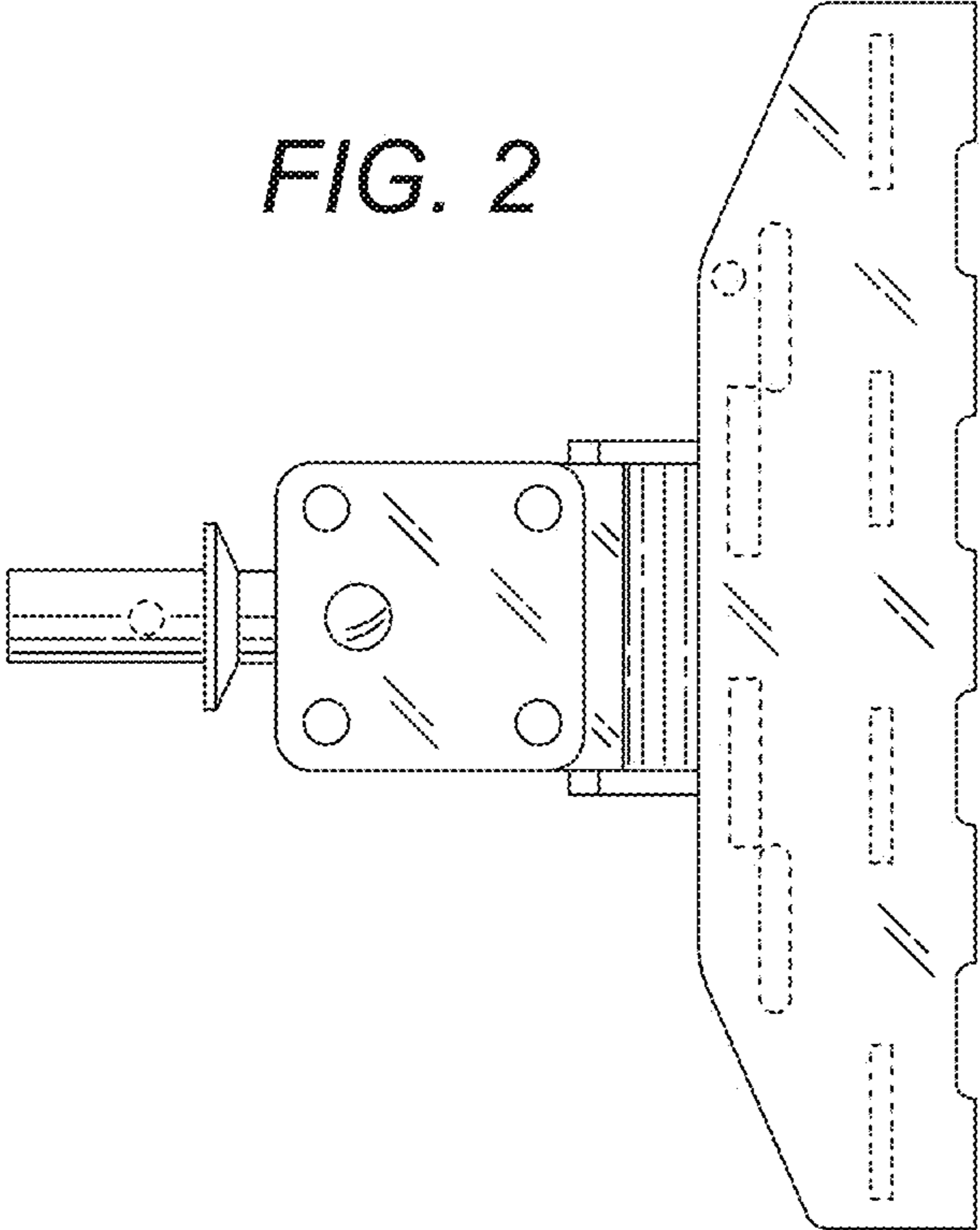
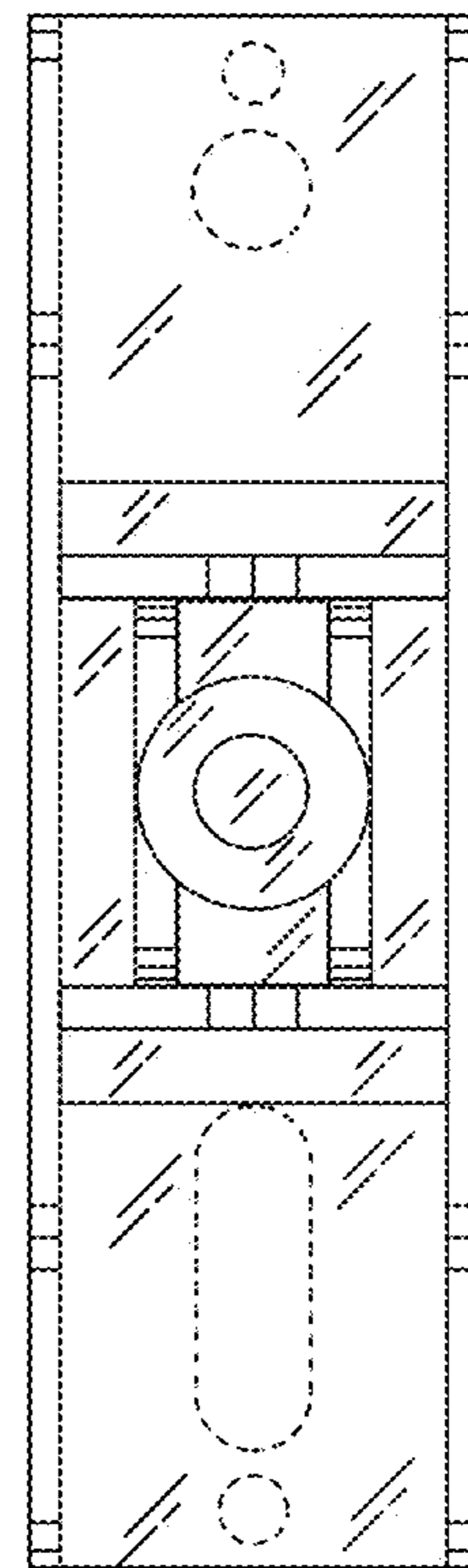
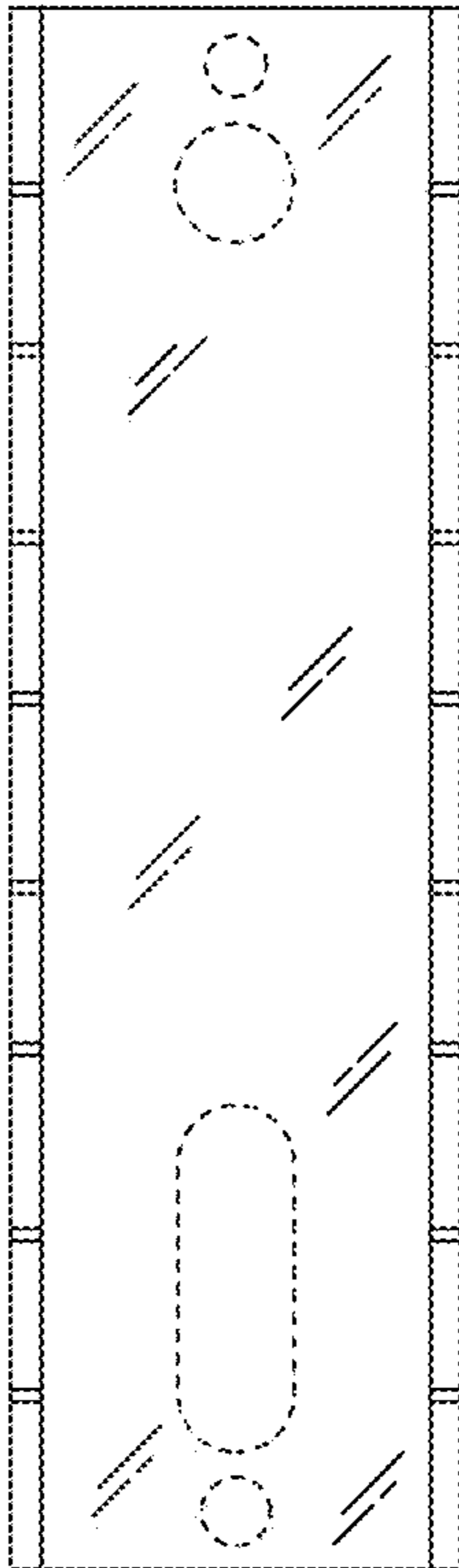


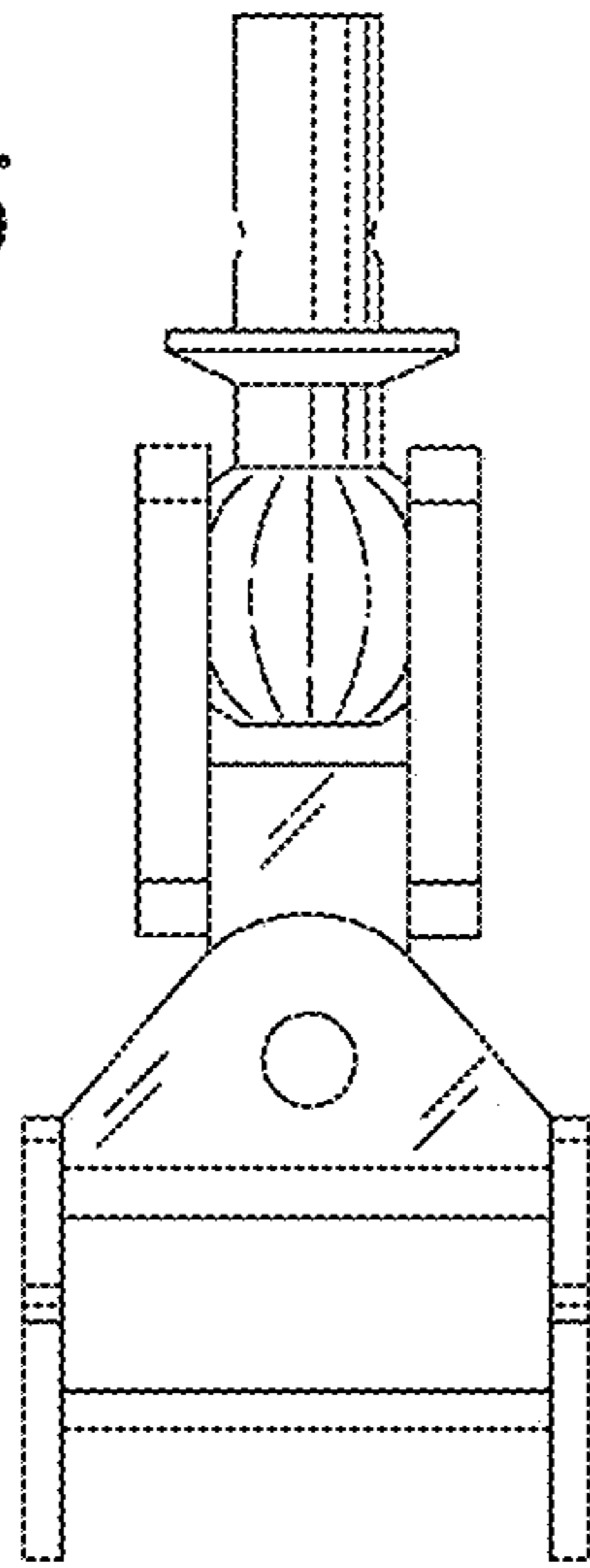
FIG. 2

*FIG. 3*

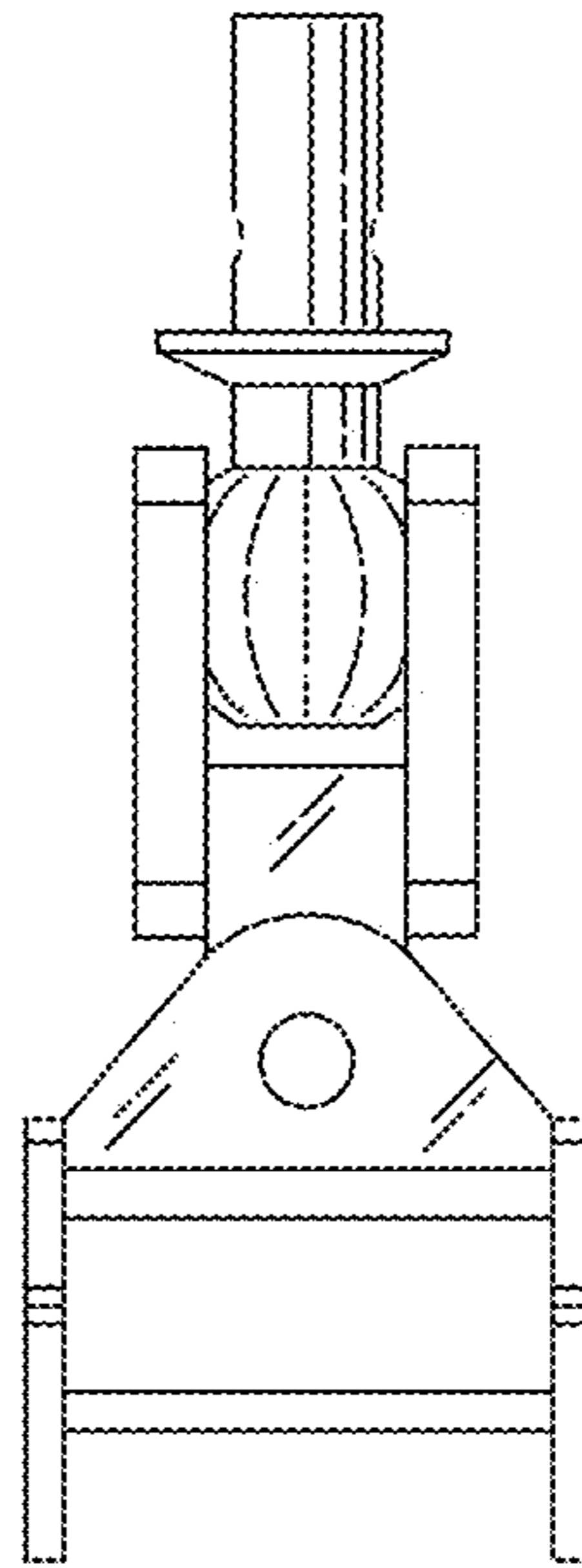


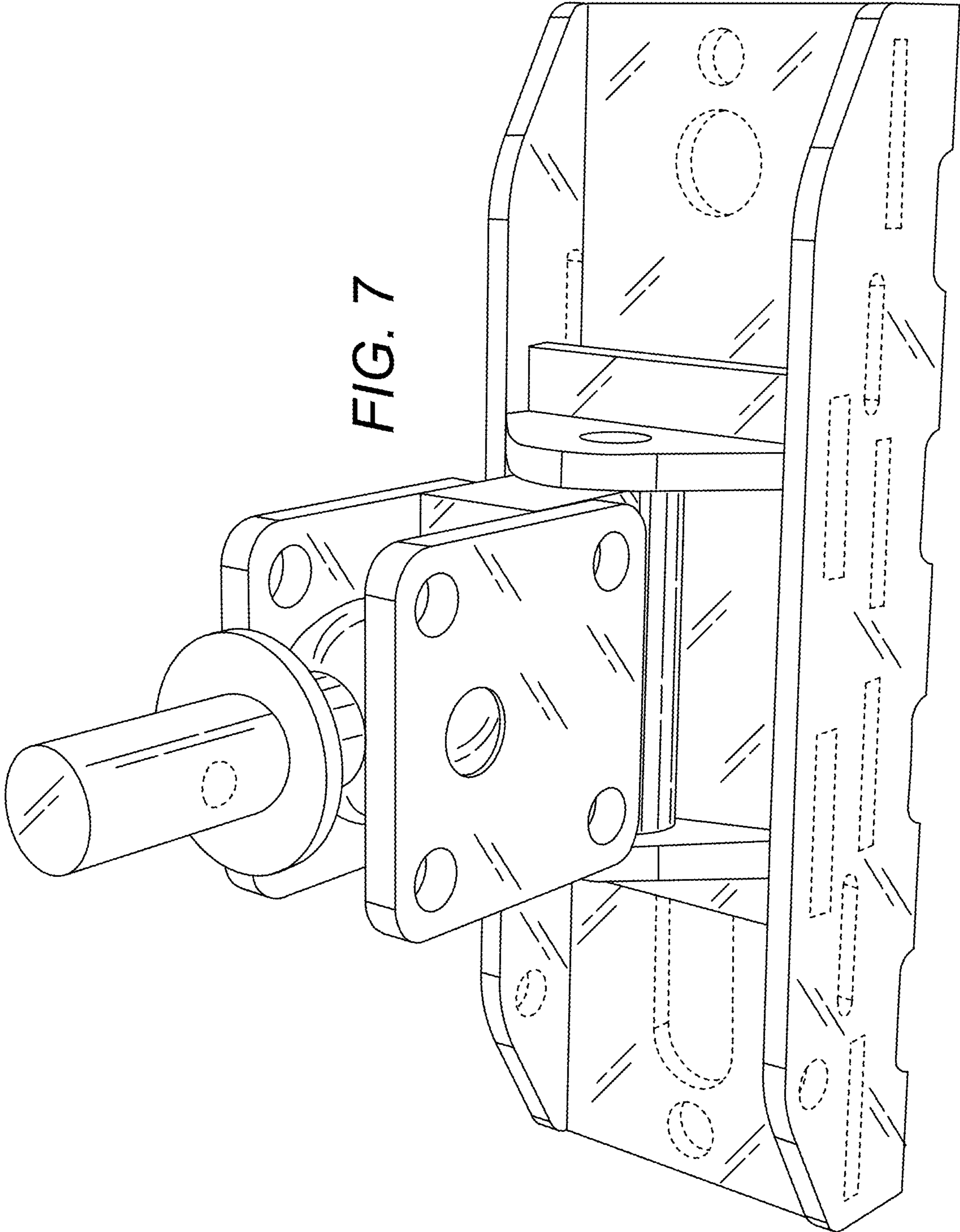
*FIG. 4*

*FIG. 5*



*FIG. 6*





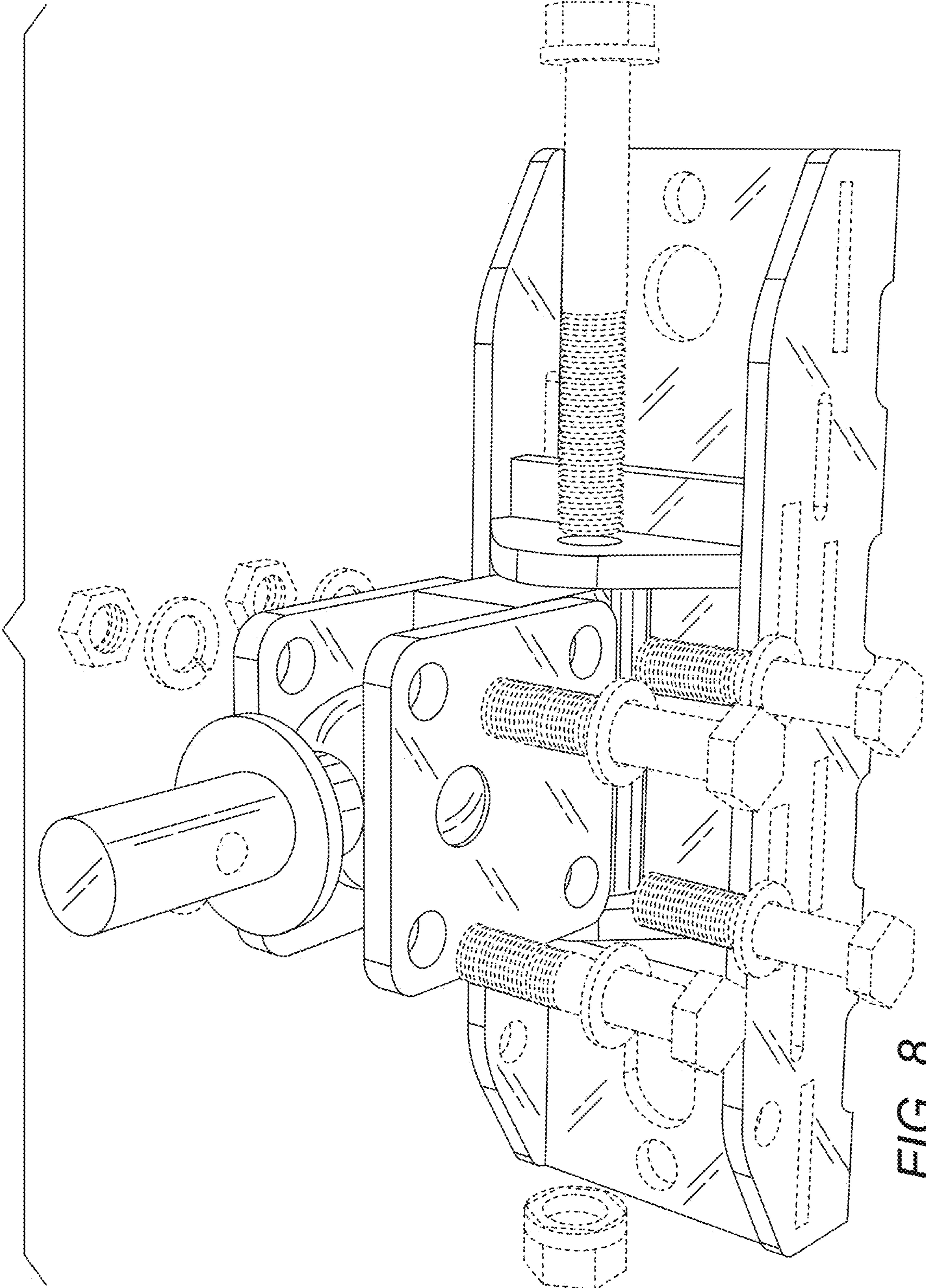
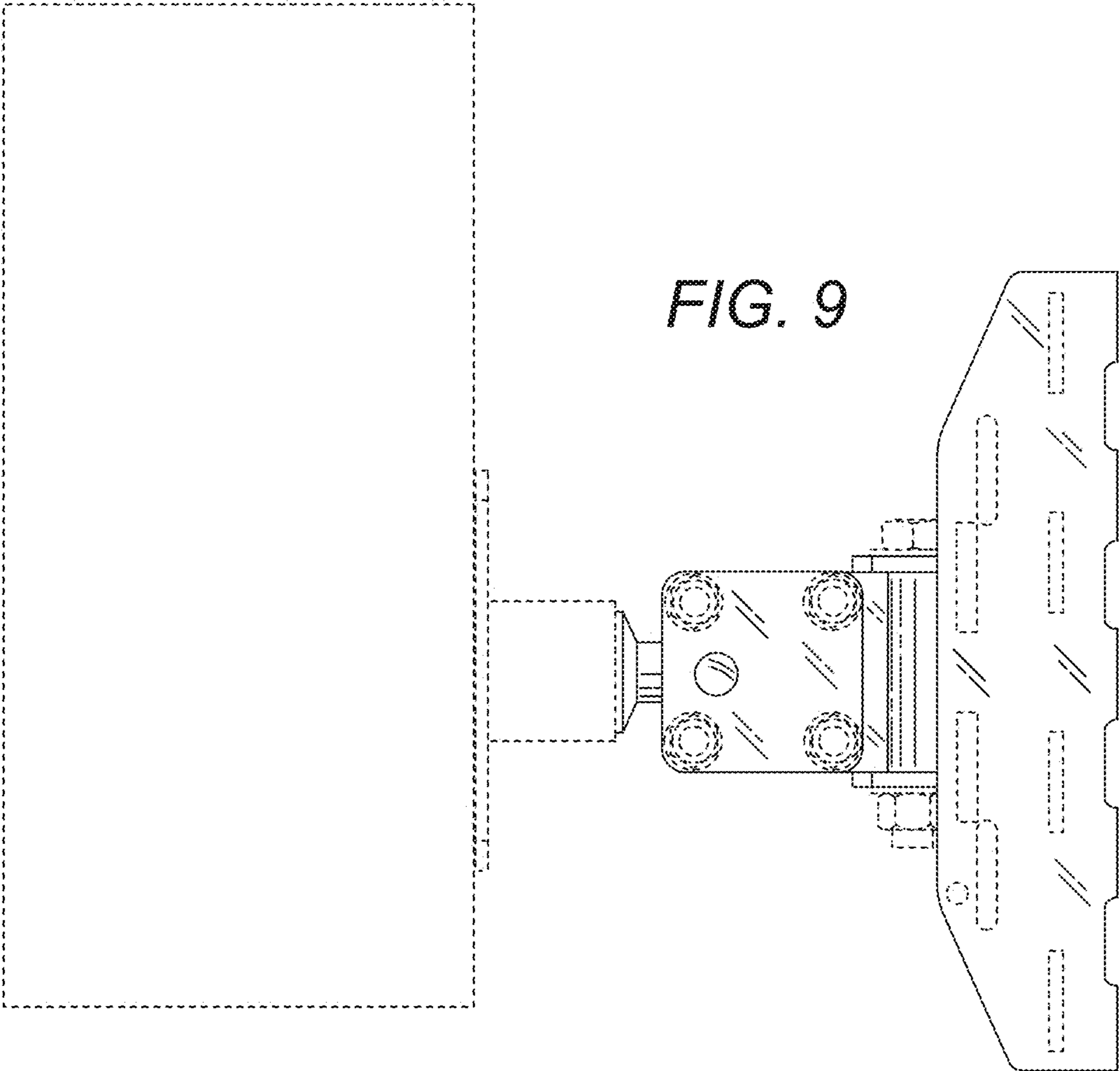
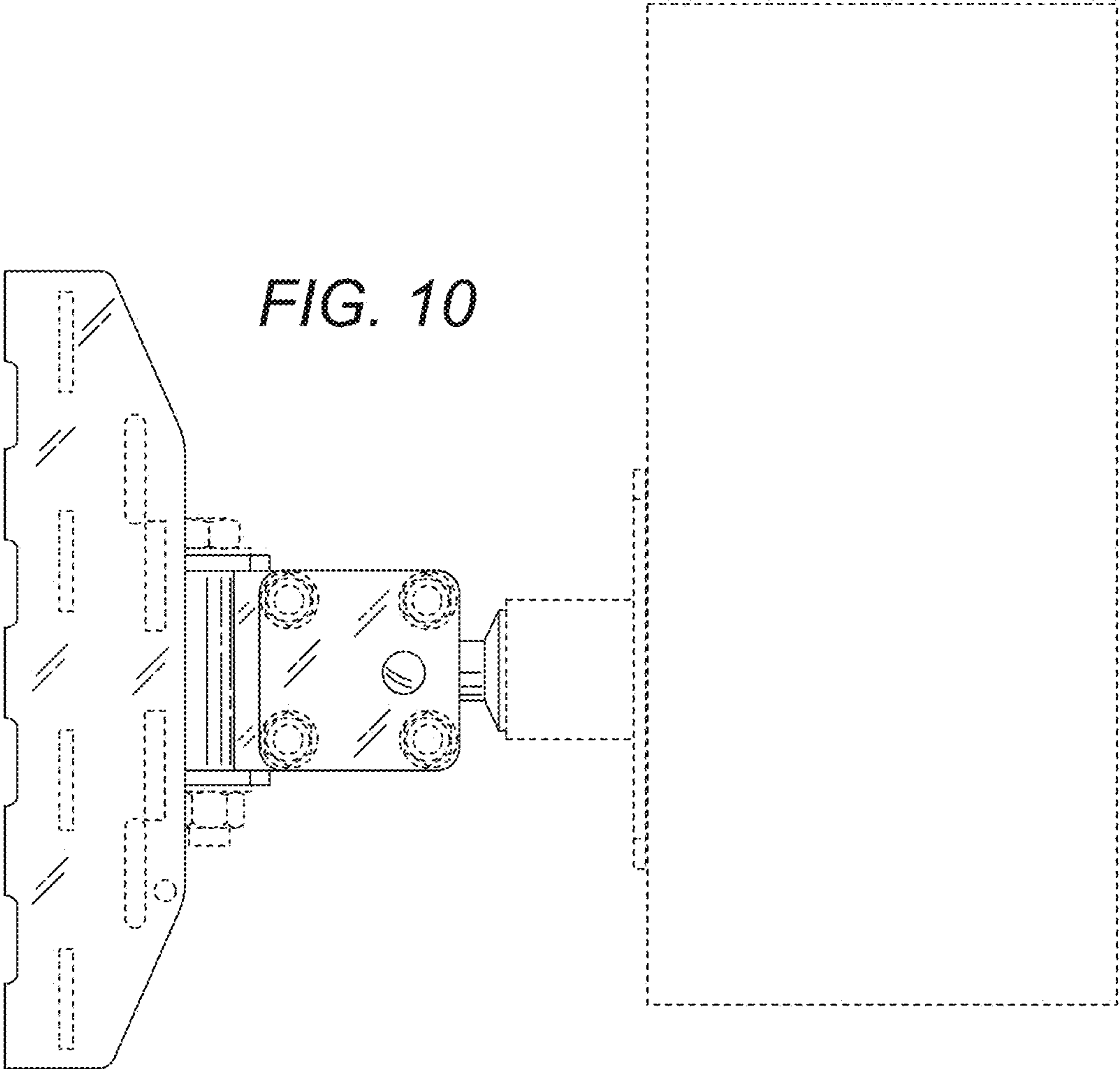


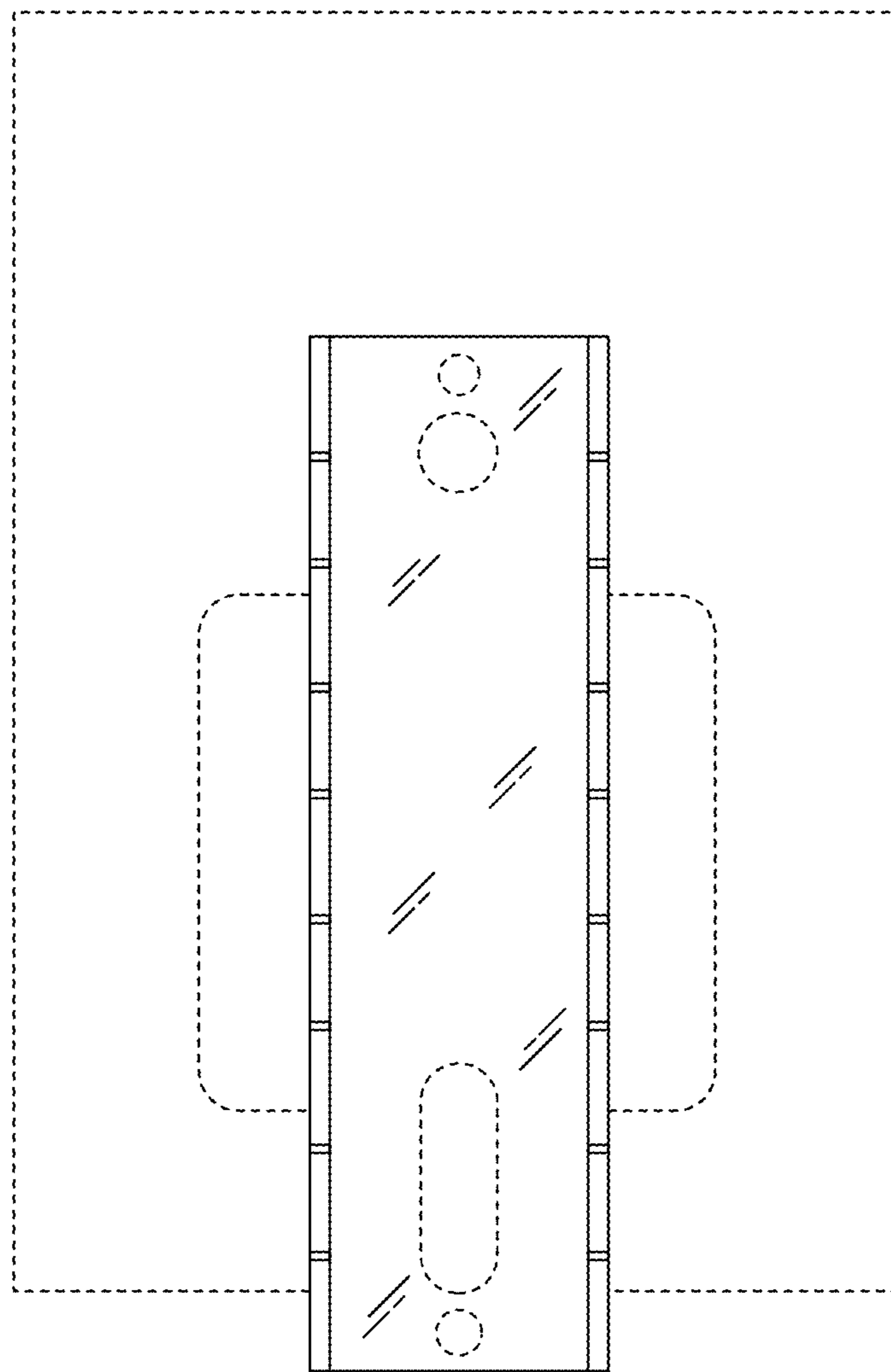
FIG. 8





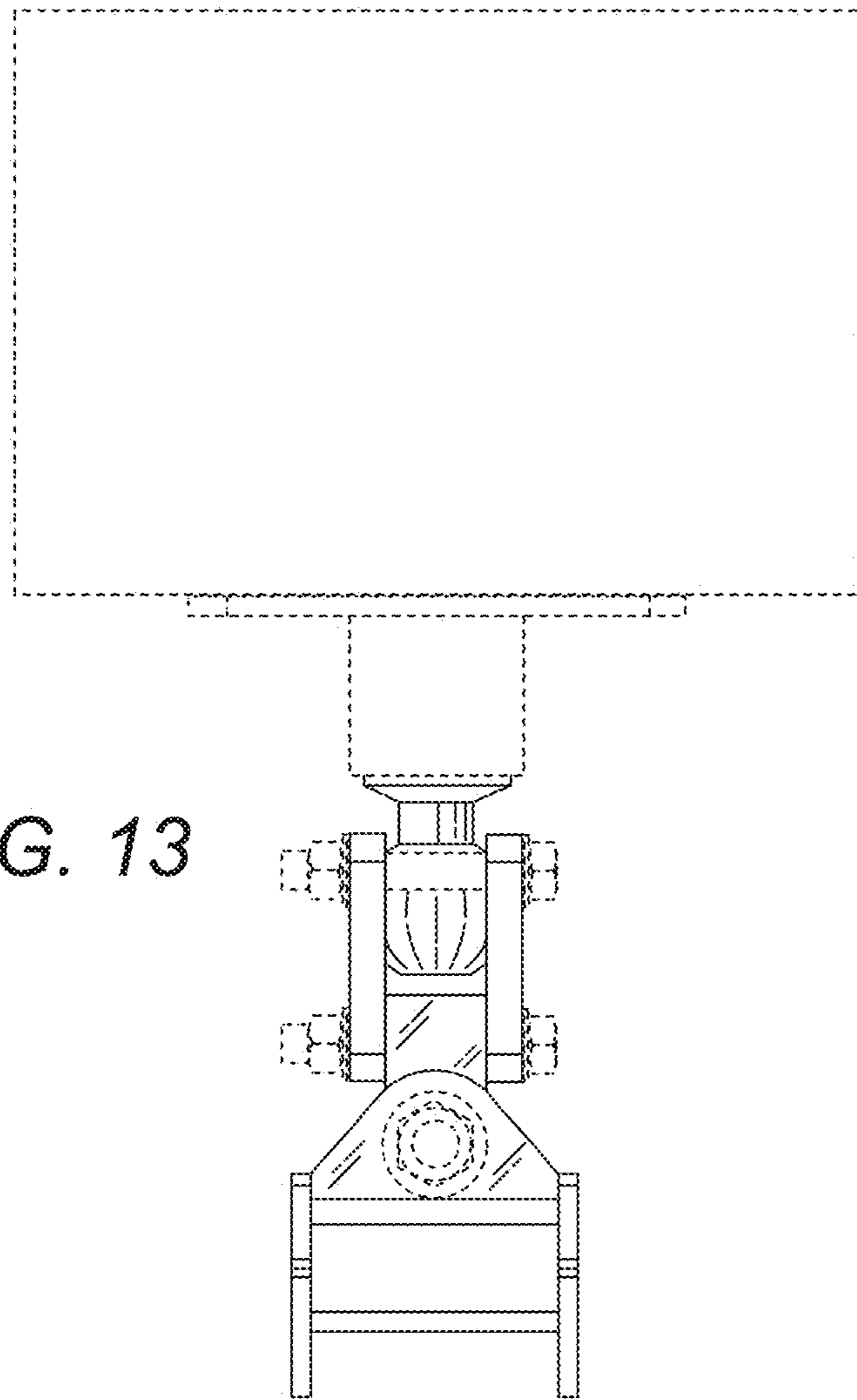


*FIG. 11*

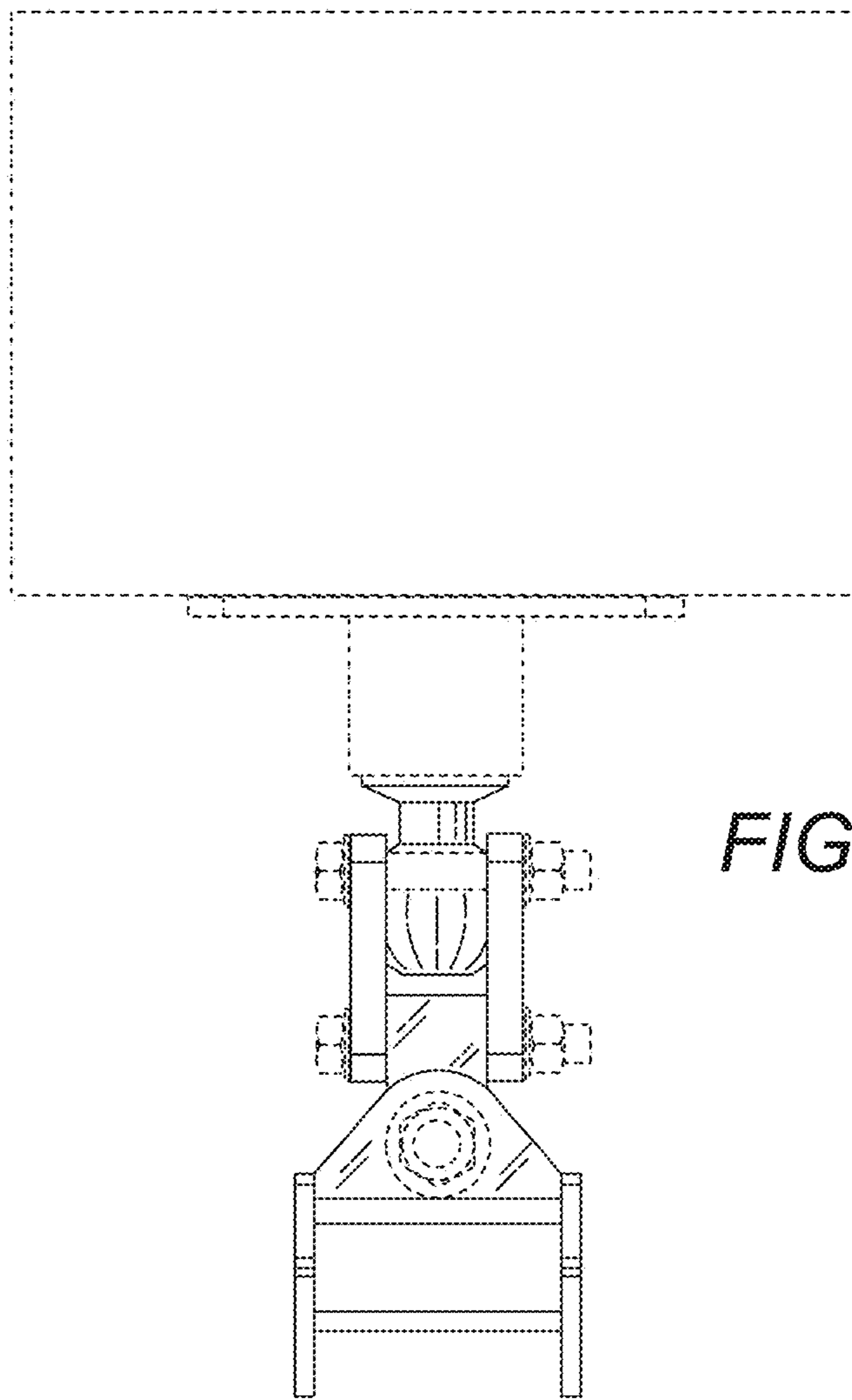




*FIG. 12*

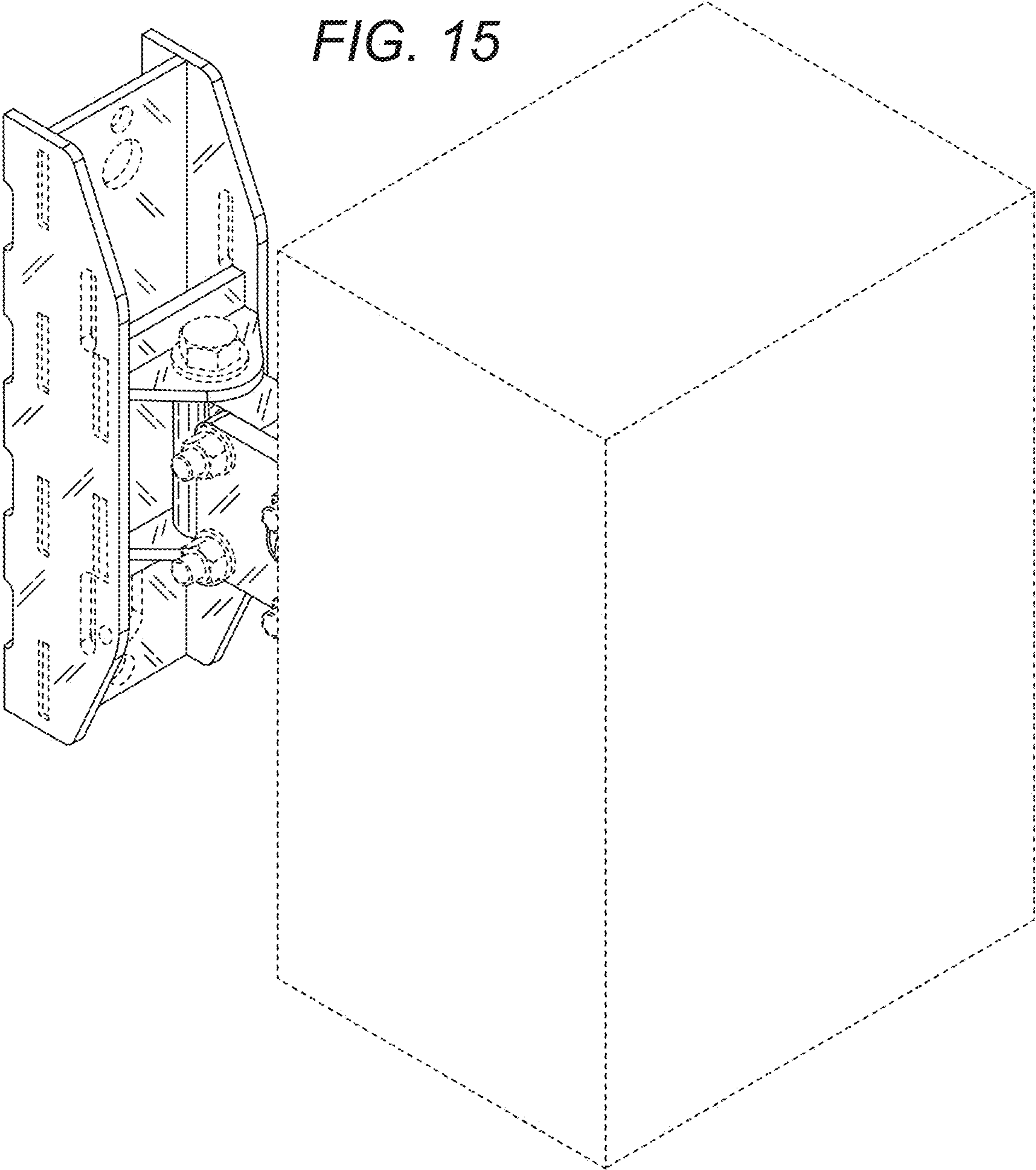


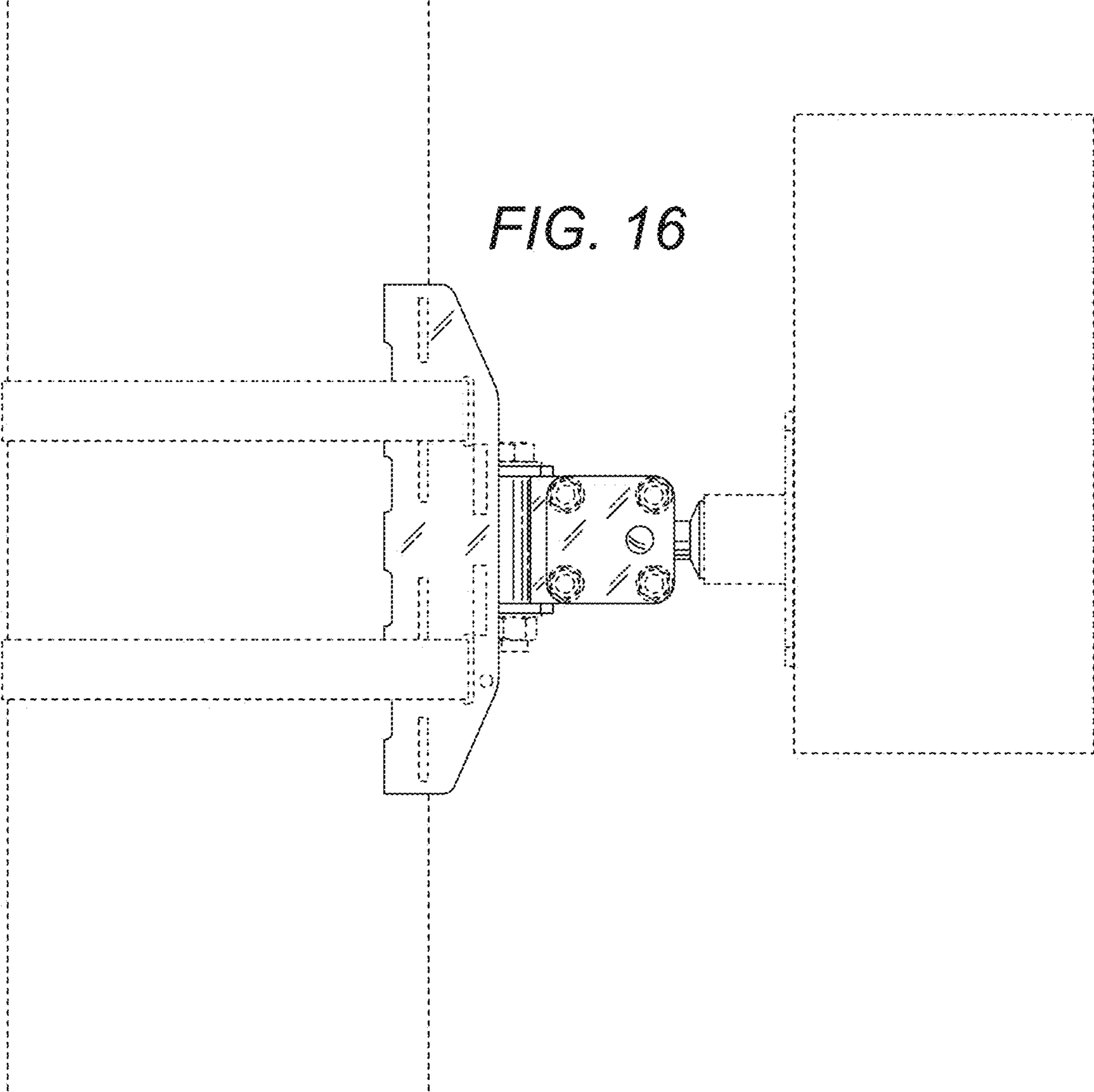
*FIG. 13*

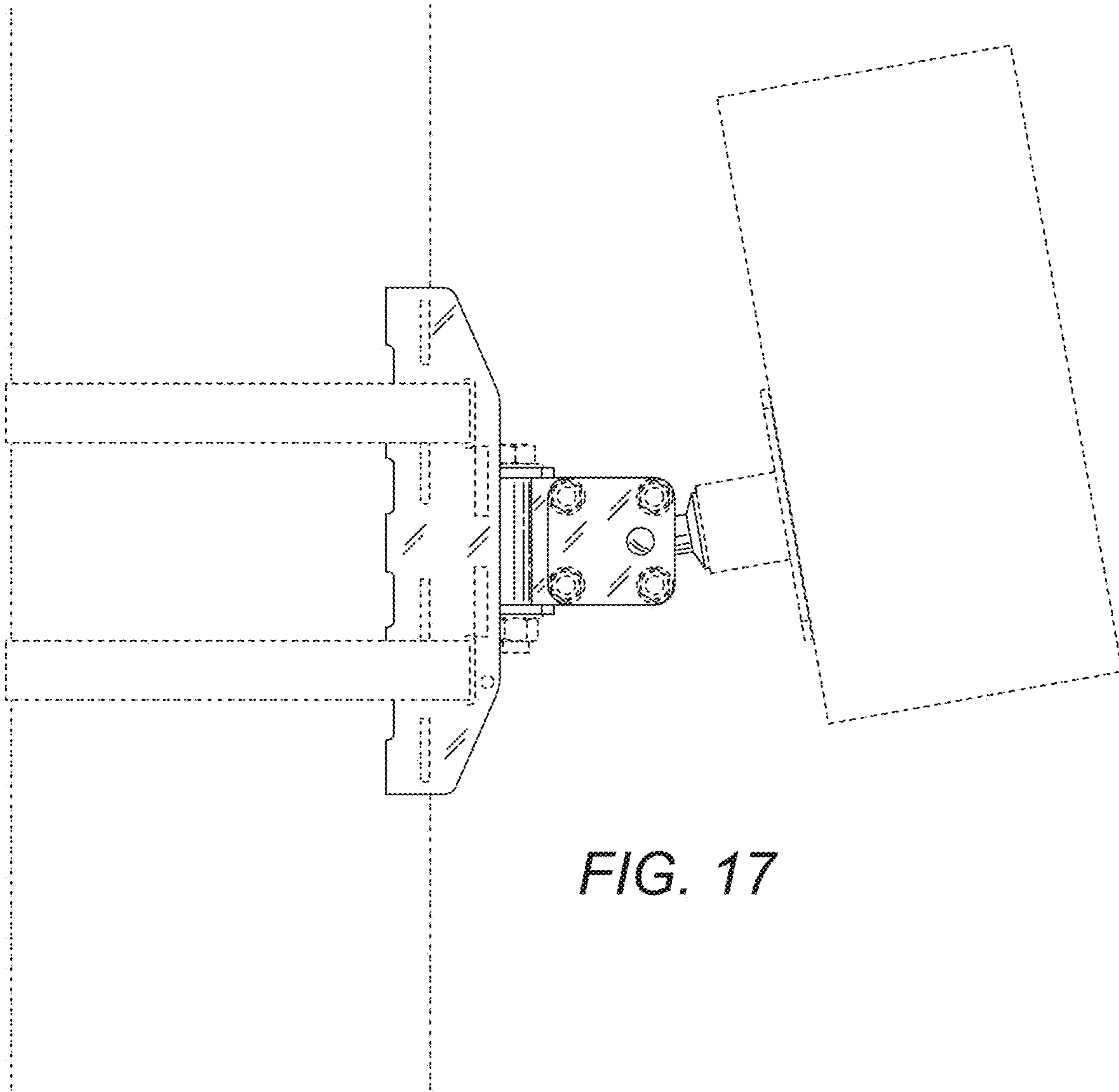


*FIG. 14*

FIG. 15







*FIG. 17*



