



US00D963467S

(12) **United States Design Patent**  
**Hung et al.**

(10) **Patent No.:** **US D963,467 S**  
(45) **Date of Patent:** **\*\* Sep. 13, 2022**

(54) **HOUSING OF CABLE FALL ARRESTER**

(71) Applicant: **YOKE INDUSTRIAL CORP.,**  
Taichung (TW)

(72) Inventors: **Wei-Chieh Hung, Taichung (TW);**  
**Wei-Chih Chen, Chiayi (TW);**  
**Tzu-Lun Weng, Taichung (TW)**

(73) Assignee: **YOKE INDUSTRIAL CORP.,**  
Taichung (TW)

(\*\*) Term: **15 Years**

(21) Appl. No.: **29/754,055**

(22) Filed: **Oct. 6, 2020**

(51) **LOC (13) Cl.** ..... **09-06**

(52) **U.S. Cl.**  
USPC ..... **D8/356**

(58) **Field of Classification Search**  
USPC ..... D8/356, 354, 349; 24/599.9; D13/155,  
D13/133  
CPC ..... B65H 57/16; B63B 21/045; F16B 45/02;  
H02J 7/0026; H02G 11/02  
See application file for complete search history.

(56) **References Cited**

**U.S. PATENT DOCUMENTS**

4,150,798	A *	4/1979	Aragon	.....	B65H 75/406 242/405
D270,262	S *	8/1983	Rembe	.....	D21/692
D316,713	S *	5/1991	Sun Kag	.....	D14/484
6,392,882	B1 *	5/2002	Chen	.....	G06F 1/1632 361/741
6,449,810	B1 *	9/2002	Kuwayama	.....	F16G 11/14 24/66.9
6,474,585	B2 *	11/2002	Liao	.....	B65H 75/18 242/381.3
6,483,033	B1 *	11/2002	Simoes	.....	H05K 7/1449 242/360

6,834,820	B2 *	12/2004	Wei	.....	B65H 75/4449 242/378
7,165,739	B2 *	1/2007	Wei	.....	B65H 75/4434 242/378.1
7,168,967	B1 *	1/2007	Yen	.....	H01R 13/72 439/164
D591,678	S *	5/2009	Whitley	.....	D13/133
7,654,484	B2 *	2/2010	Mogensen	.....	B65H 75/143 242/402
D631,730	S *	2/2011	Skillman	.....	H02G 11/02 D8/356
D667,390	S *	9/2012	Matera	.....	D14/223
D685,771	S *	7/2013	Bertenthal	.....	D14/223
D721,335	S *	1/2015	Smeja	.....	D13/155

(Continued)

*Primary Examiner* — Cynthia R Underwood

(74) *Attorney, Agent, or Firm* — Apex Juris, pllc; Hilde Coeckx

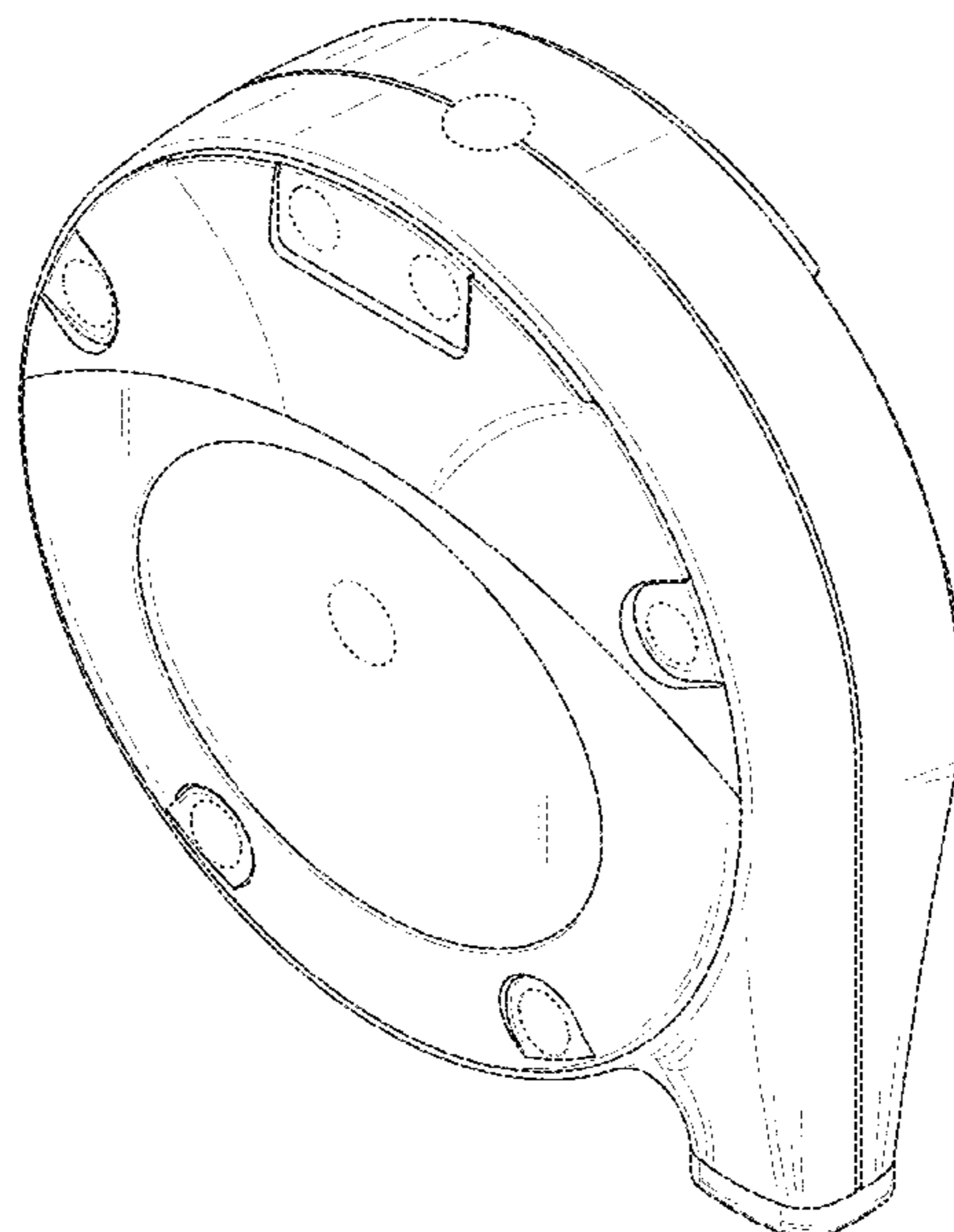
(57) **CLAIM**

The ornamental design for a housing of a cable fall arrester, as shown and described.

**DESCRIPTION**

FIG. 1 is a perspective view of the housing of the cable fall arrester;  
 FIG. 2 is a front view of the housing of the cable fall arrester;  
 FIG. 3 is a rear view of the housing of the cable fall arrester;  
 FIG. 4 is a right side view of the housing of the cable fall arrester;  
 FIG. 5 is a left side view of the housing of the cable fall arrester;  
 FIG. 6 is a top view of the housing of the cable fall arrester;  
 and,  
 FIG. 7 is a bottom view of the housing of the cable fall arrester.  
 The broken lines depict portions of the housing of the cable fall arrester that form no part of the claimed design.

**1 Claim, 7 Drawing Sheets**



(56)

References Cited

U.S. PATENT DOCUMENTS

D728,351 S \* 5/2015 Martinson ..... D8/373  
 D760,172 S \* 6/2016 Kaloustian ..... D13/156  
 D778,712 S \* 2/2017 Kennedy ..... D8/358  
 D784,259 S \* 4/2017 Huang ..... D13/108  
 D795,194 S \* 8/2017 Knight ..... D13/133  
 D796,435 S \* 9/2017 Cho ..... D13/108  
 D807,825 S \* 1/2018 Miller ..... D13/133  
 D807,826 S \* 1/2018 Miller ..... D13/133  
 D808,778 S \* 1/2018 Smeja ..... H02J 7/0026  
 D831,467 S \* 10/2018 Crichton ..... D8/356  
 D842,078 S \* 3/2019 Martino ..... D8/356  
 D871,894 S \* 1/2020 Brett ..... D8/356  
 D878,374 S \* 3/2020 Wenlian ..... D14/433  
 11,316,354 B1 \* 4/2022 Vose ..... H02J 7/025  
 2002/0019169 A1 \* 2/2002 Nishimoto ..... H02G 11/02  
 439/625  
 2005/0236243 A1 \* 10/2005 Huang ..... H02G 11/02  
 191/12.4  
 2009/0194630 A1 \* 8/2009 Thiyagarajan ..... H04R 1/1033  
 242/405.1  
 2015/0325996 A1 \* 11/2015 Ciampa ..... H02G 11/02  
 242/388.1  
 2016/0224064 A1 \* 8/2016 Fleisig ..... G06F 1/1632  
 2016/0276856 A1 \* 9/2016 Miller ..... H02J 7/0042  
 2017/0264118 A1 \* 9/2017 Miller ..... H02J 7/0042

\* cited by examiner

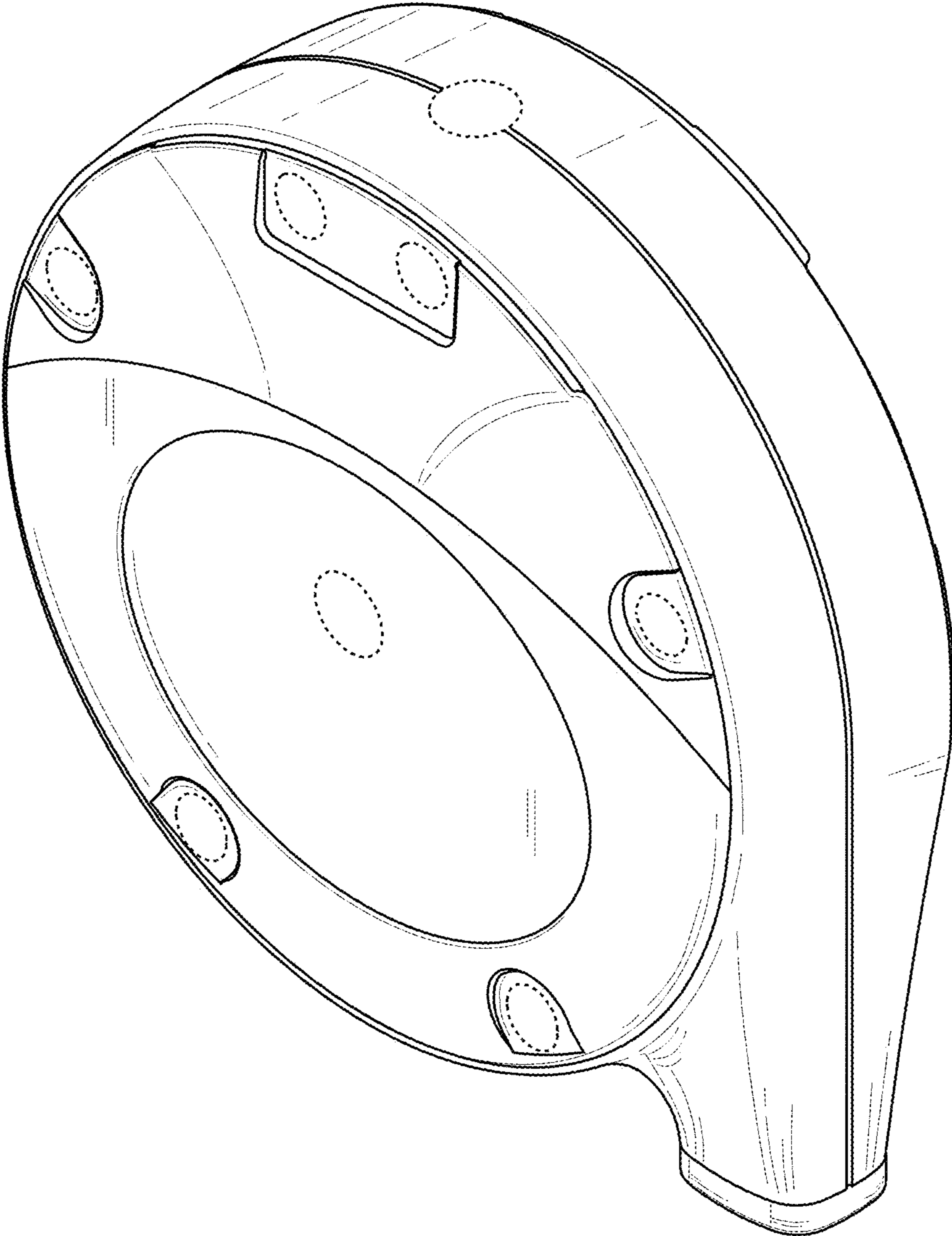


FIG.1

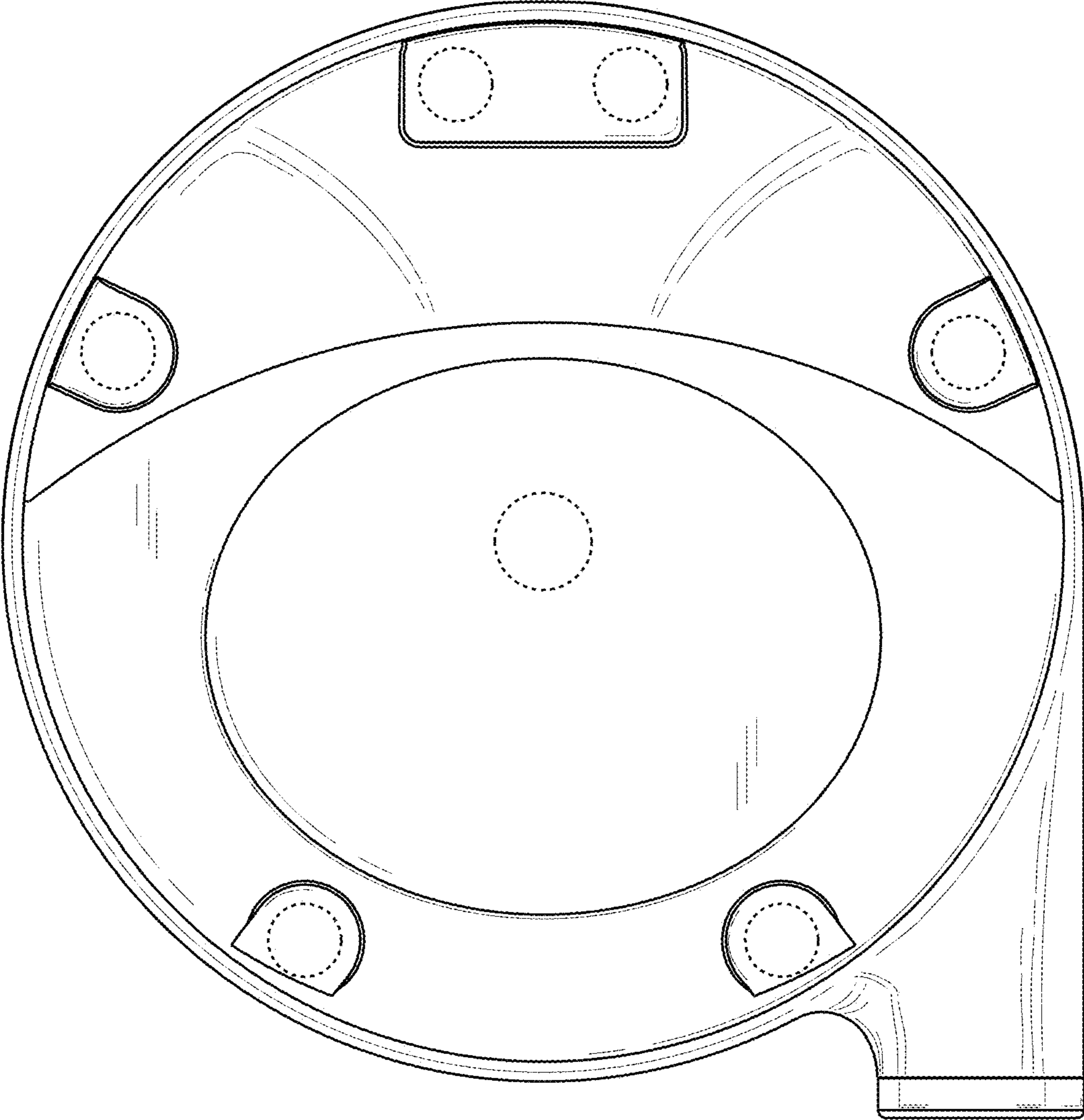


FIG.2



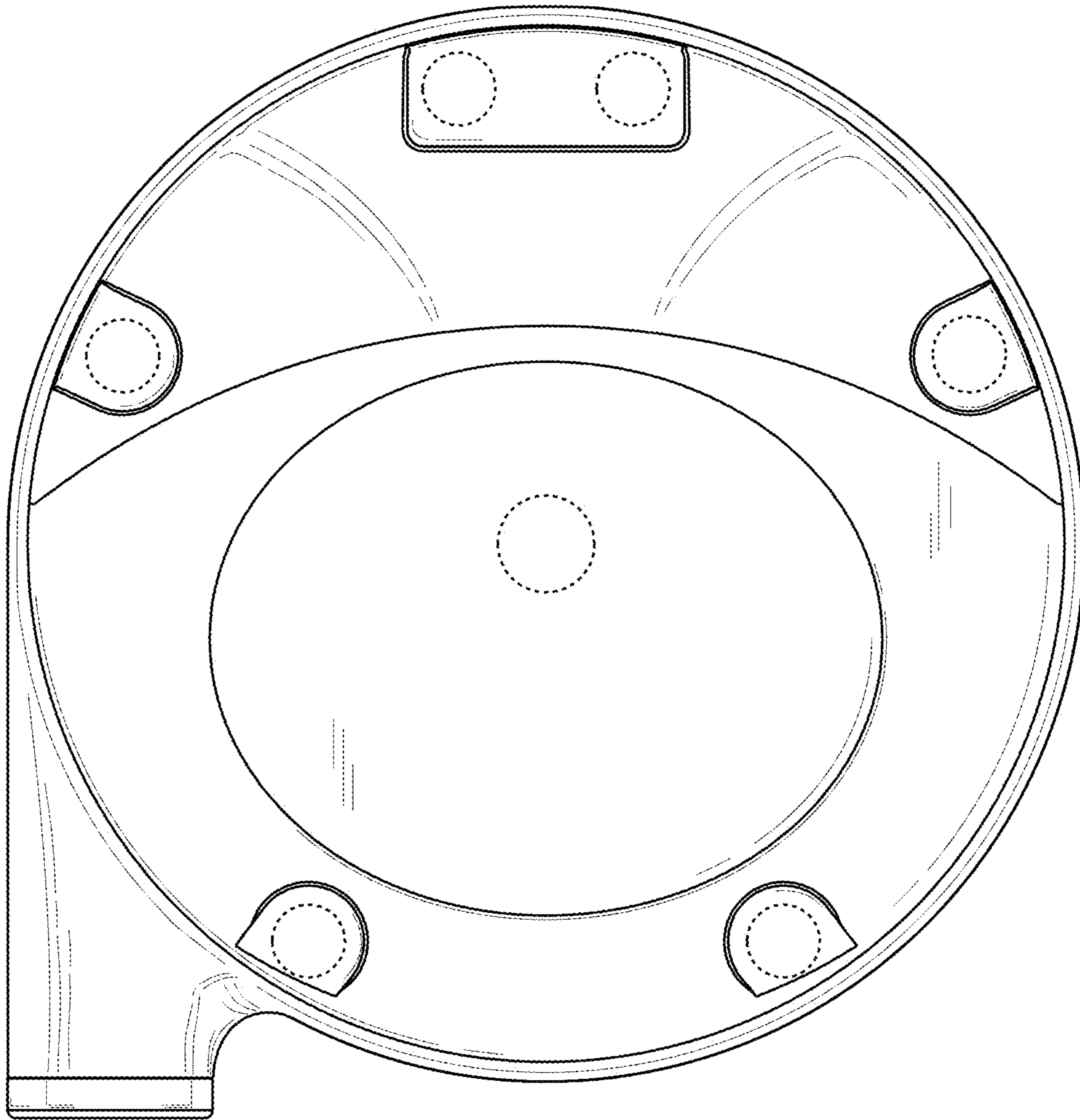


FIG.3

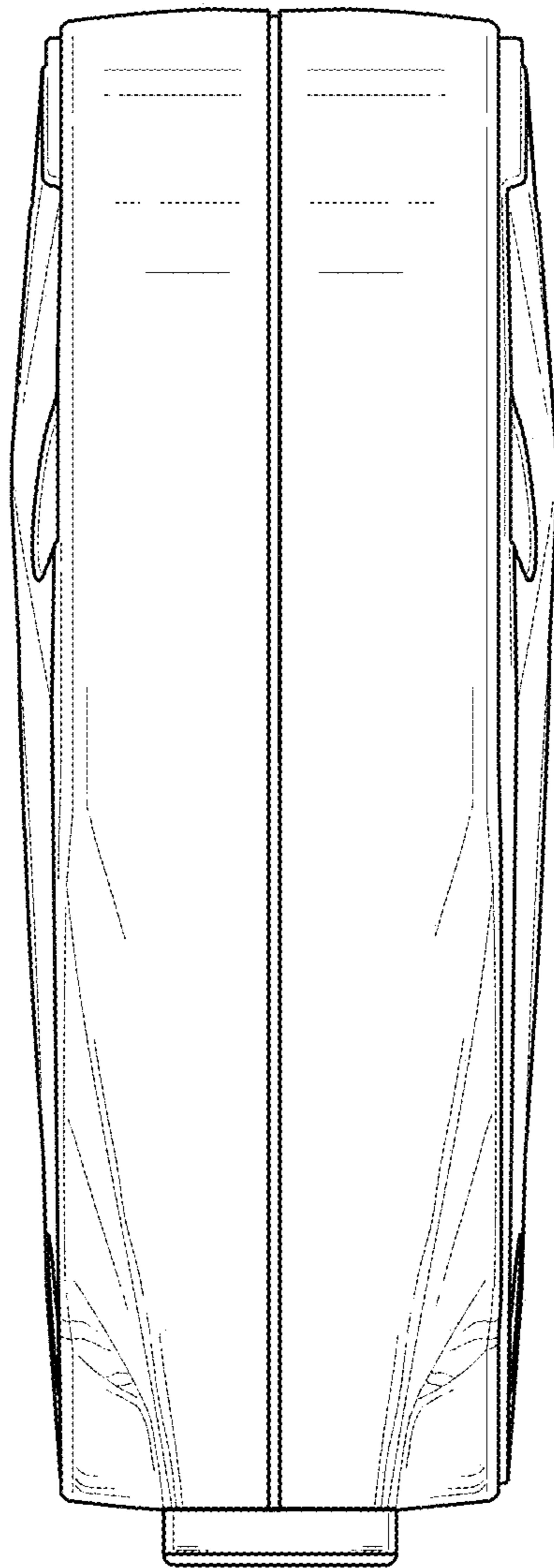


FIG.4

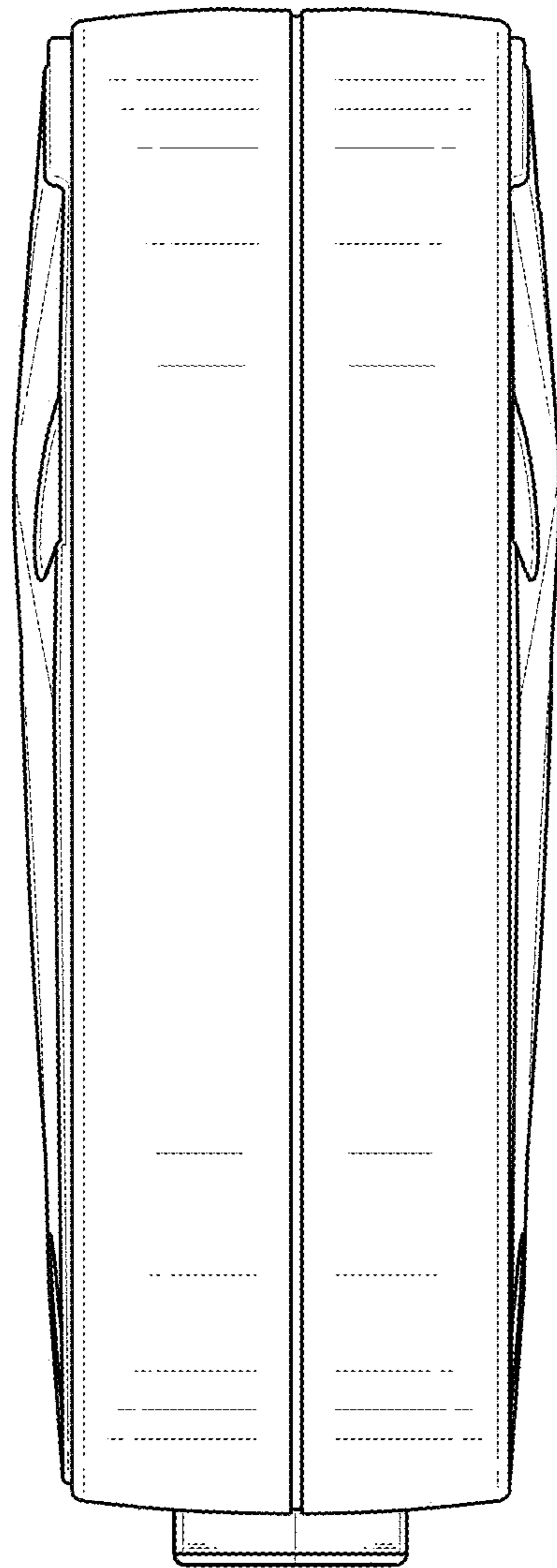


FIG.5

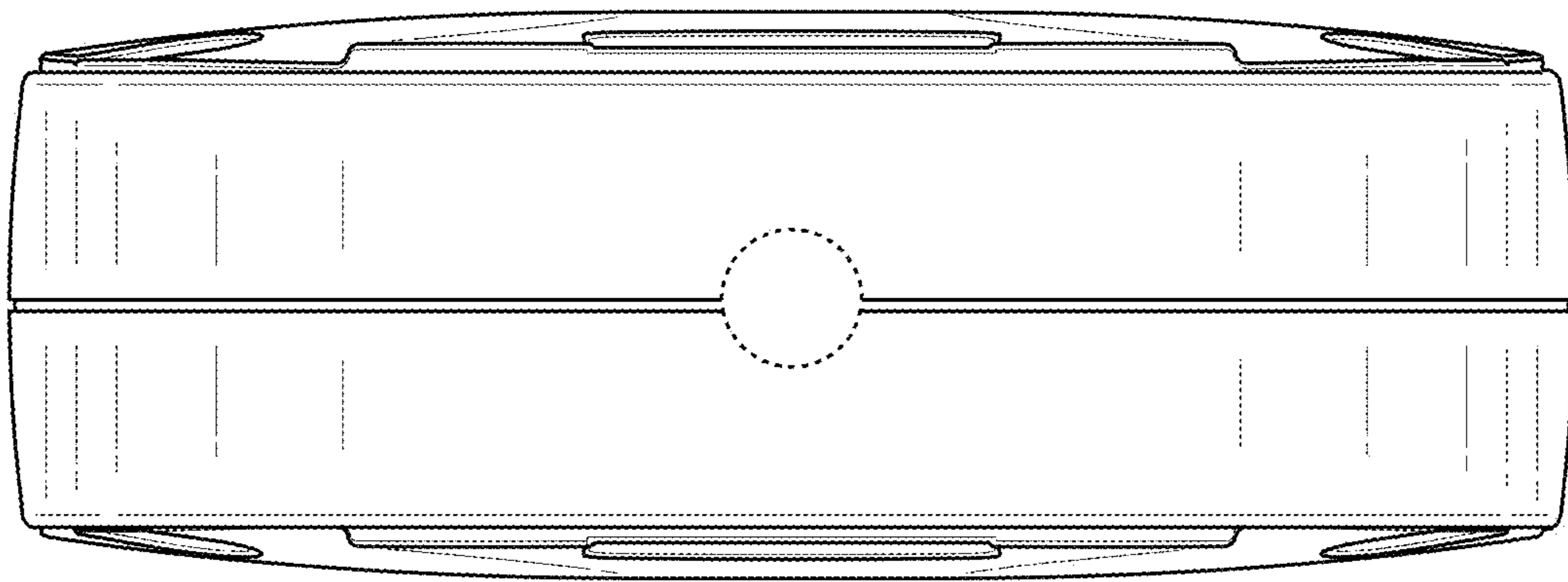


FIG.6



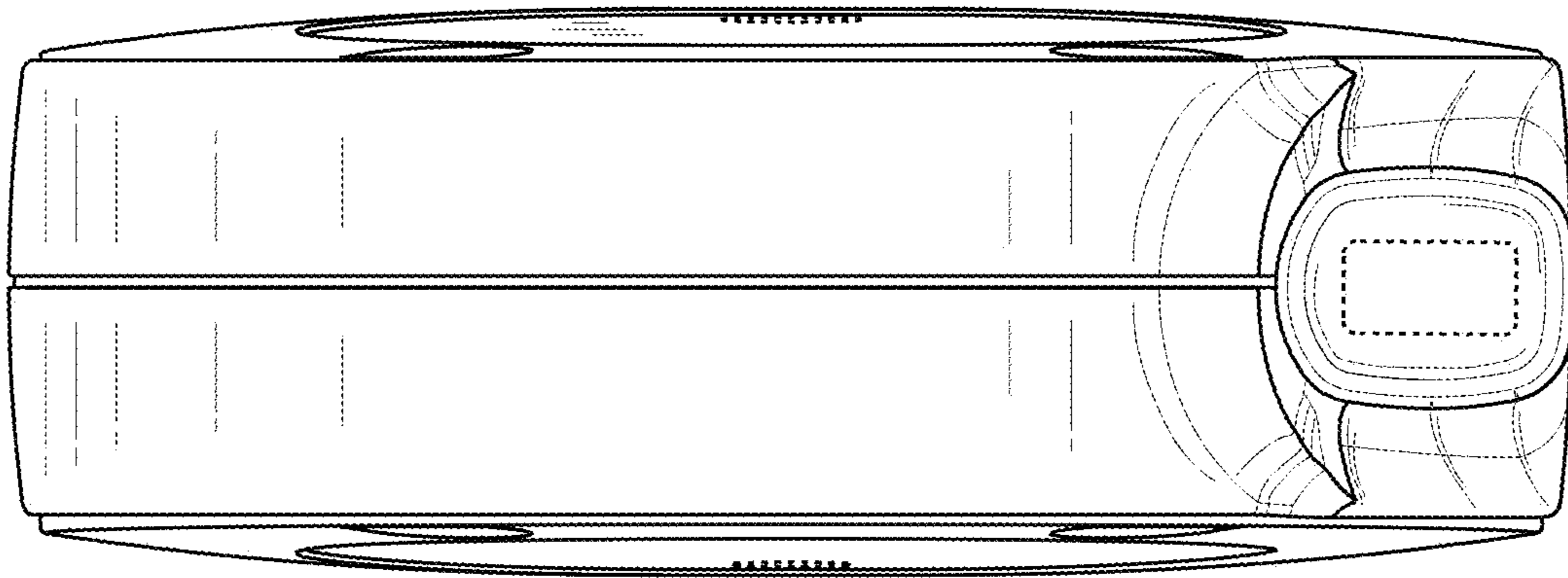


FIG.7