



US00D963465S

(12) **United States Design Patent** (10) **Patent No.:** **US D963,465 S**  
**Clark** (45) **Date of Patent:** **\*\* Sep. 13, 2022**

(54) **MOUNTING BRACKET**

(71) Applicant: **D & D Group Pty Ltd**, Frenchs Forest (AU)

(72) Inventor: **Anthony John Clark**, Cremorne (AU)

(73) Assignee: **D & D Group Pty Ltd**, Frenchs Forest (AU)

(\*\*) Term: **15 Years**

(21) Appl. No.: **29/726,059**

(22) Filed: **Feb. 28, 2020**

(51) **LOC (13) Cl.** ..... **08-05**

(52) **U.S. Cl.**  
USPC ..... **D8/354**

(58) **Field of Classification Search**  
USPC ..... D8/354, 349, 353, 366, 371, 373  
CPC ..... F16B 45/00; F16M 13/02; H01R 13/73;  
H01R 24/62

See application file for complete search history.

(56) **References Cited**

U.S. PATENT DOCUMENTS

D130,168 S \* 10/1941 Hodges ..... D13/122  
D302,518 S \* 8/1989 Ellison ..... D8/396  
D308,116 S \* 5/1990 Vandergriff ..... D8/396

(Continued)

*Primary Examiner* — Keli L Hill

*Assistant Examiner* — Harold E Blackwell, II

(74) *Attorney, Agent, or Firm* — Kelly & Kelley, LLP

(57) **CLAIM**

The ornamental design for a mounting bracket, as shown and described.

**DESCRIPTION**

FIG. 1 is a top, front and right-side perspective view of a first embodiment of a mounting bracket embodying my new design;

FIG. 2 is a left-side elevational view thereof;

FIG. 3 is a top plan view thereof;

FIG. 4 is a right-side elevational view thereof;

FIG. 5 is a rear elevational view thereof;

FIG. 6 is a front elevational view thereof; and

FIG. 7 is an environmental perspective view thereof similar to FIG. 1, illustrating the mounting bracket attached to an article shown in dotted lines, wherein the dotted lines form no portion of the claimed design;

FIG. 8 is a top, front and right-side perspective view of a second embodiment of a mounting bracket embodying my new design;

FIG. 9 is a left-side elevational view thereof;

FIG. 10 is a top plan view thereof;

FIG. 11 is a right-side elevational view thereof;

FIG. 12 is a rear elevational view thereof;

FIG. 13 is a front elevational view thereof; and

FIG. 14 is an environmental perspective view thereof similar to FIG. 8, illustrating the mounting bracket attached to an article shown in dotted lines, wherein the dotted lines form no portion of the claimed design;

FIG. 15 is a top, front and right-side perspective view of a third embodiment of a mounting bracket embodying my new design;

FIG. 16 is a left-side elevational view thereof;

FIG. 17 is a top plan view thereof;

FIG. 18 is a right-side elevational view thereof;

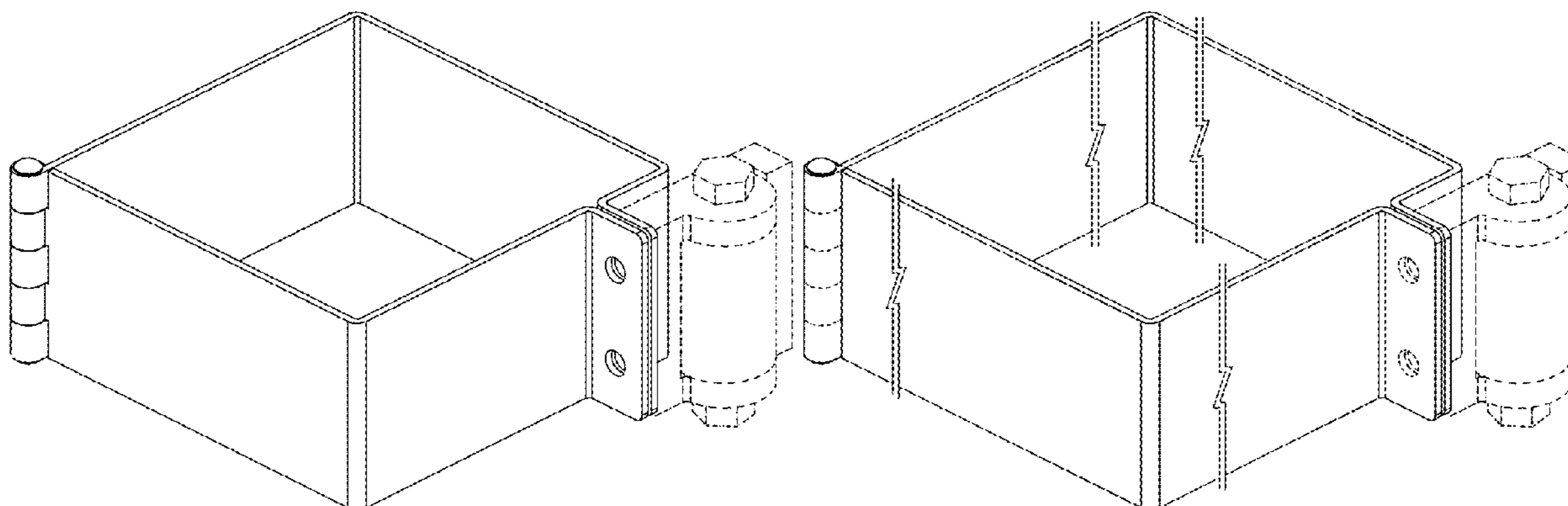
FIG. 19 is a rear elevational view thereof;

FIG. 20 is a front elevational view thereof; and,

FIG. 21 is an environmental perspective view thereof similar to FIG. 15, illustrating the mounting bracket attached to an article shown in dotted lines, wherein the dotted lines form no portion of the claimed design.

The broken lines in the drawings illustrate portions of the mounting bracket which form no part of the claimed design. The mounting bracket of FIGS. 15-21 is shown with a symbolic break in its length. The appearance of any portion of the article between the break lines forms no part of the claimed design.

**1 Claim, 12 Drawing Sheets**



(56)

**References Cited**

U.S. PATENT DOCUMENTS

D383,050 S \* 9/1997 Palmer ..... D8/354  
D427,052 S \* 6/2000 Nagato ..... D8/396  
9,512,714 B2 \* 12/2016 Sobolewski ..... F16B 2/065  
D791,058 S \* 7/2017 Laatz ..... D8/396  
D886,655 S \* 6/2020 Machijima ..... D10/103  
D887,298 S \* 6/2020 Machijima ..... D10/103  
D887,882 S \* 6/2020 Machijima ..... D10/103  
D903,471 S \* 12/2020 Deckelman ..... D8/354  
D904,170 S \* 12/2020 Francis ..... D8/354  
D933,455 S \* 10/2021 Palmer ..... D8/356  
2012/0145983 A1 \* 6/2012 Rosicki ..... E04H 17/1447  
256/65.03  
2018/0283417 A1 \* 10/2018 Takakuwa ..... F16B 2/08

\* cited by examiner

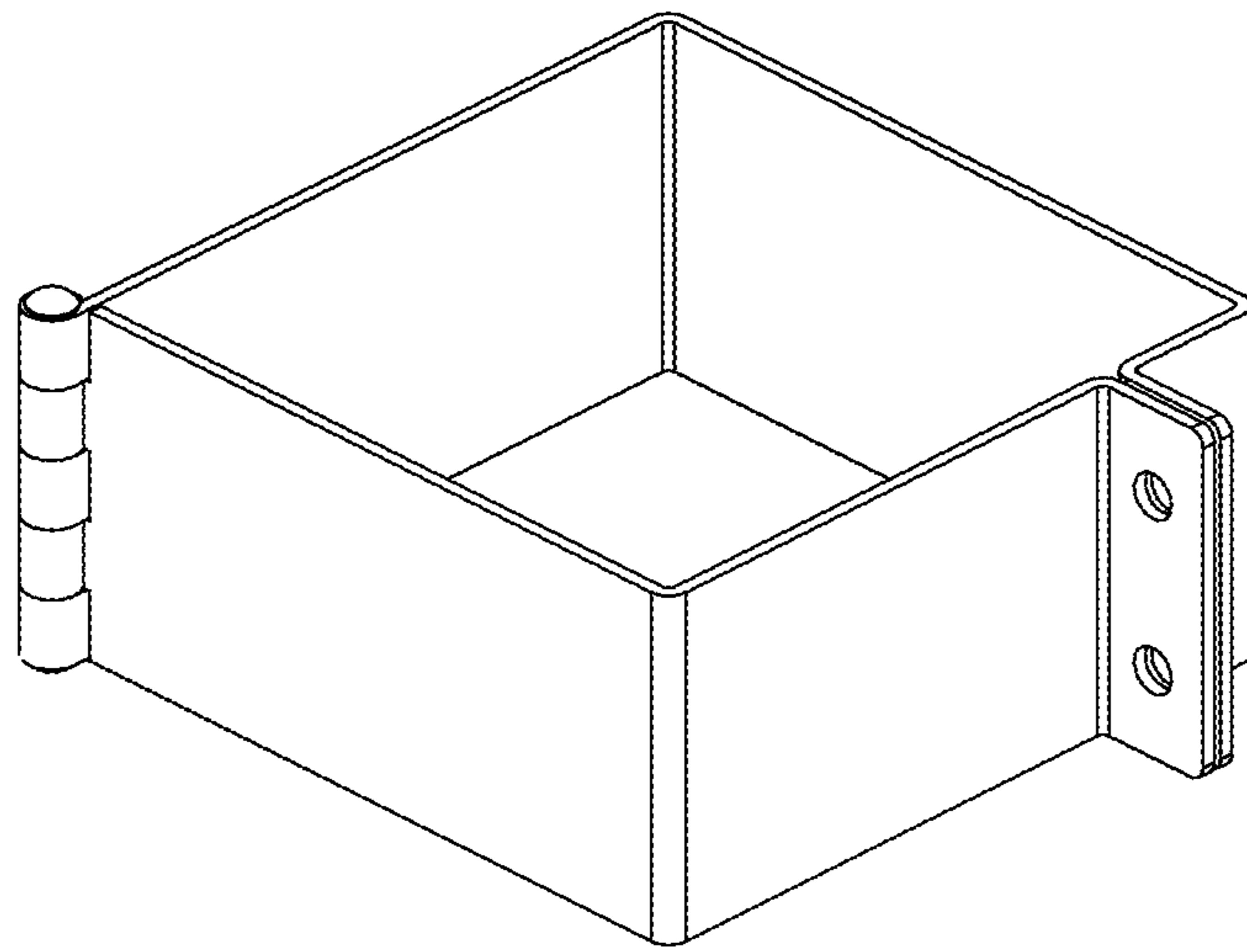


FIG. 1

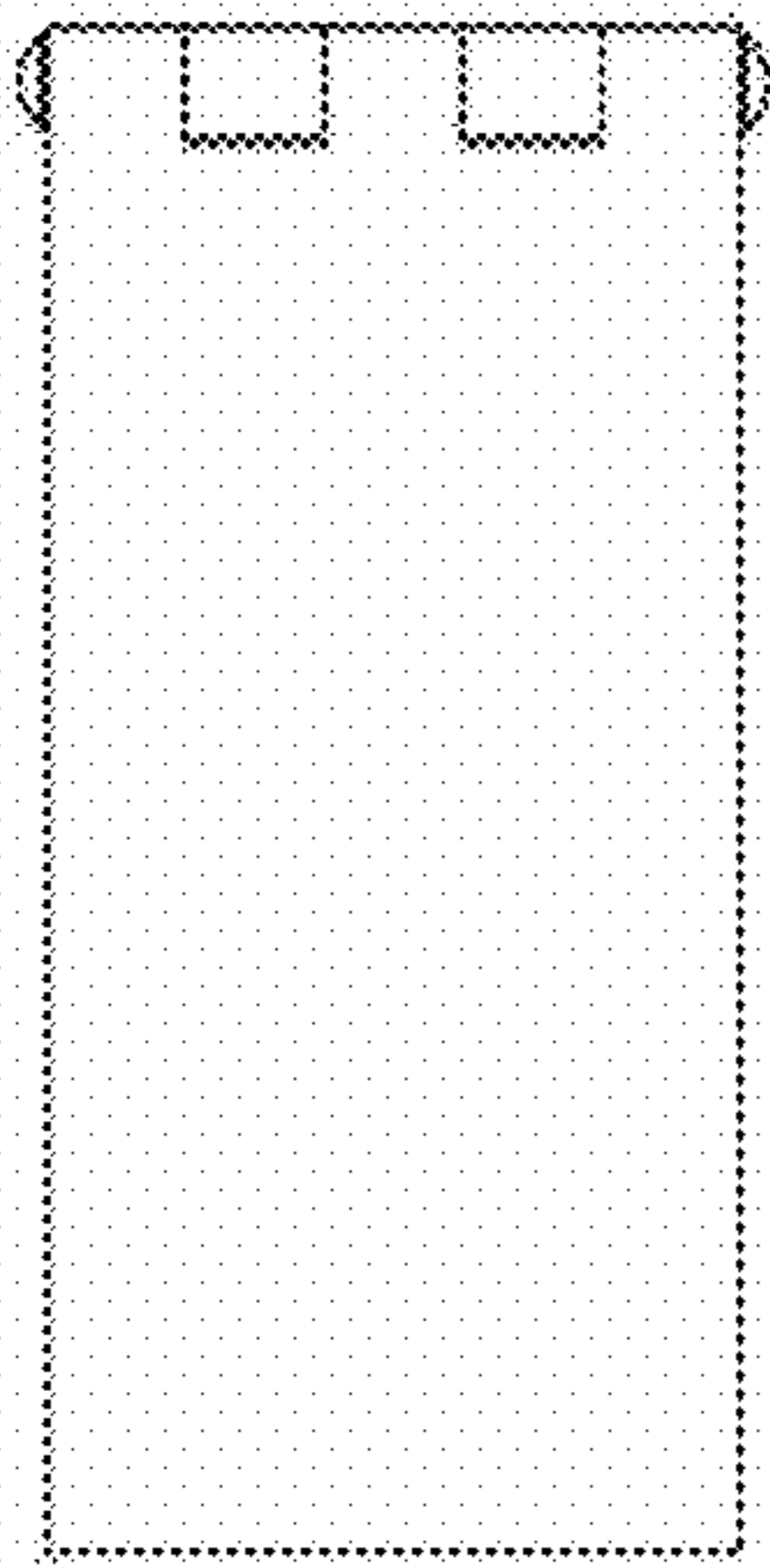


FIG. 2

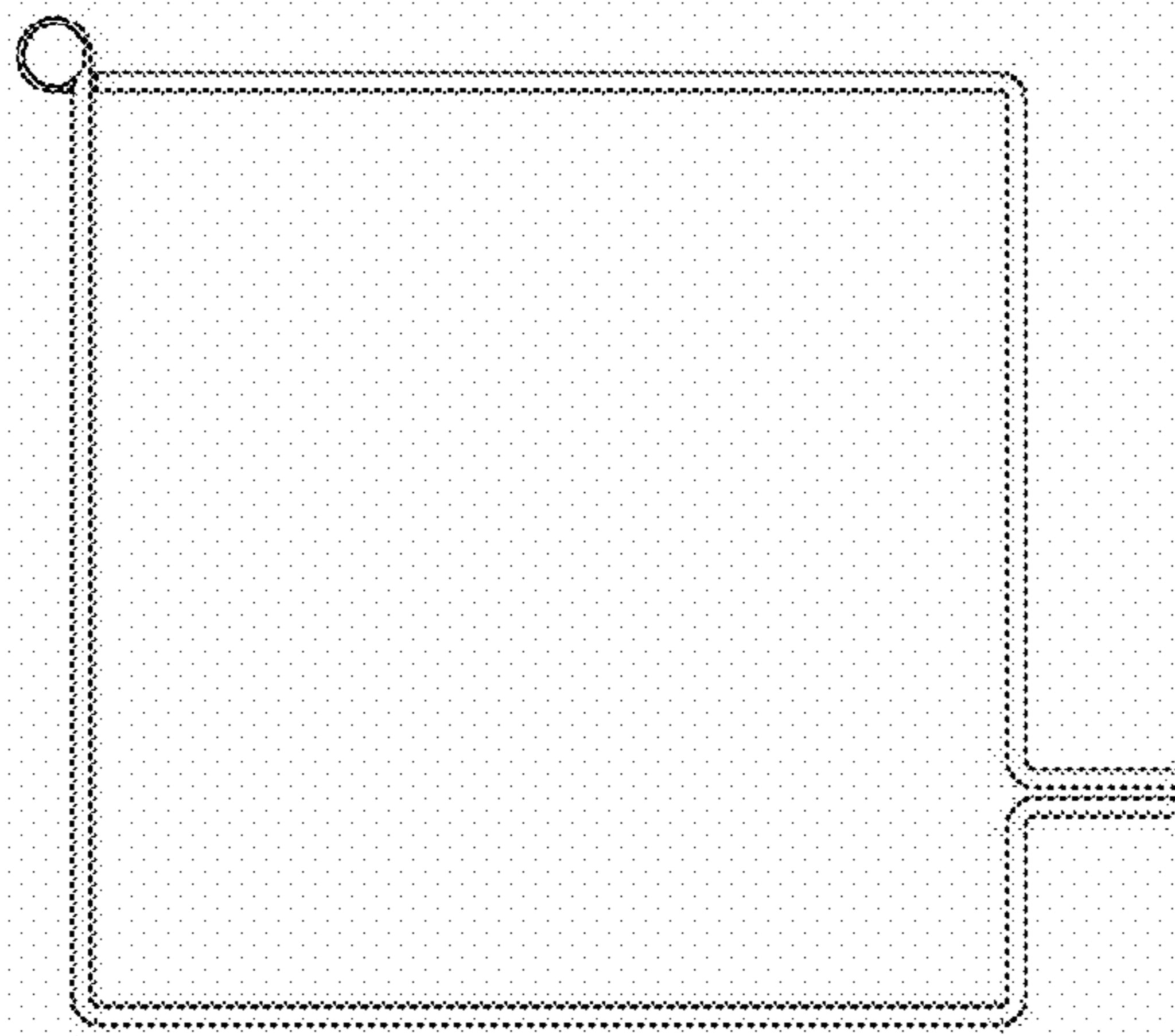


FIG. 3

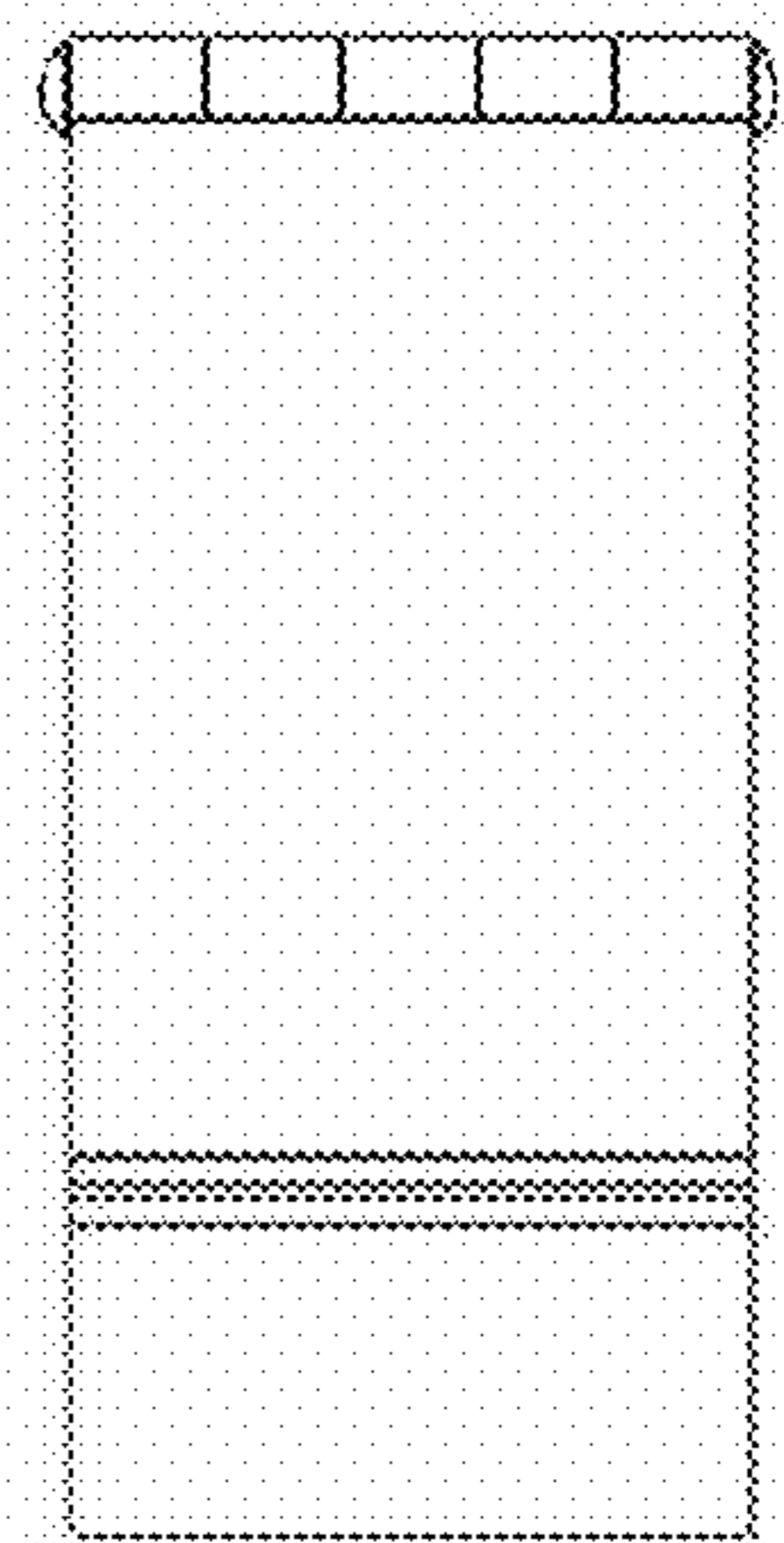


FIG. 4

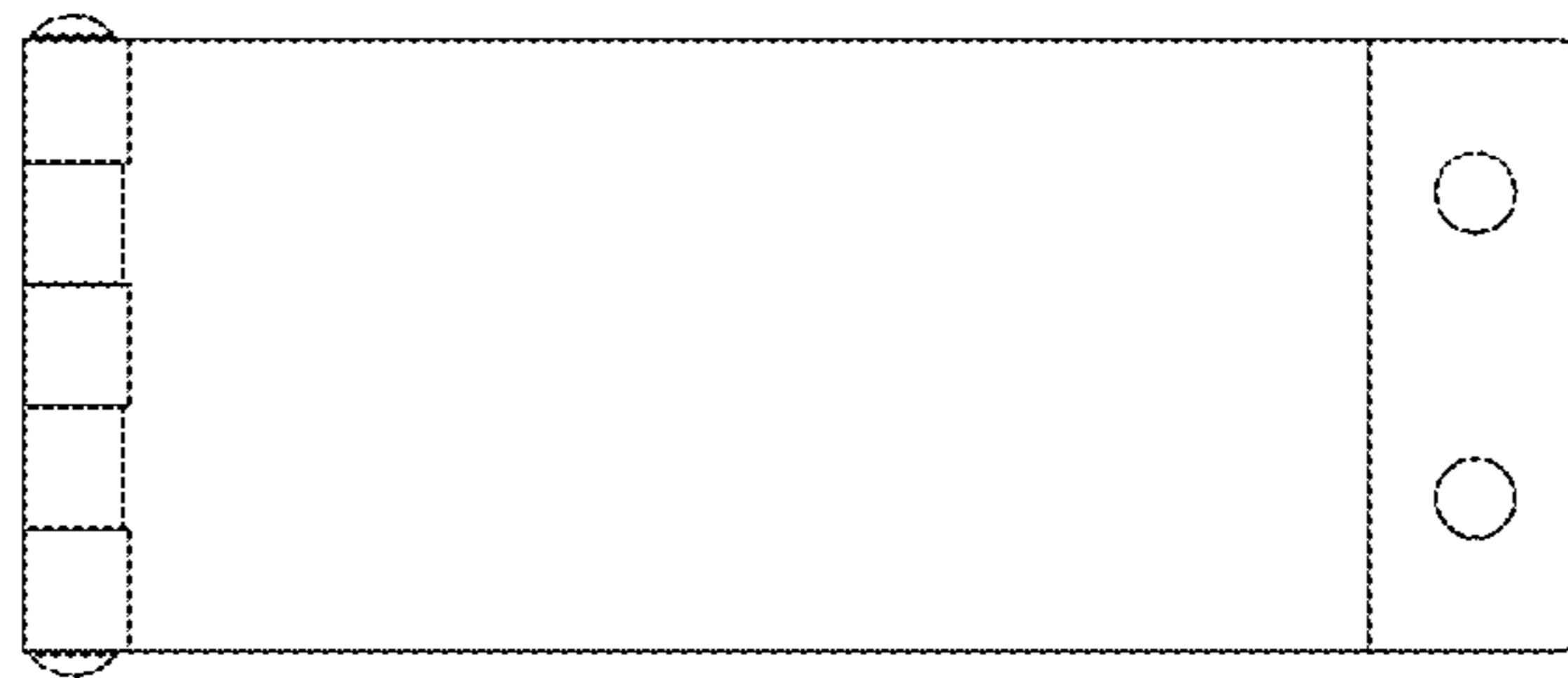


FIG. 5



FIG. 6

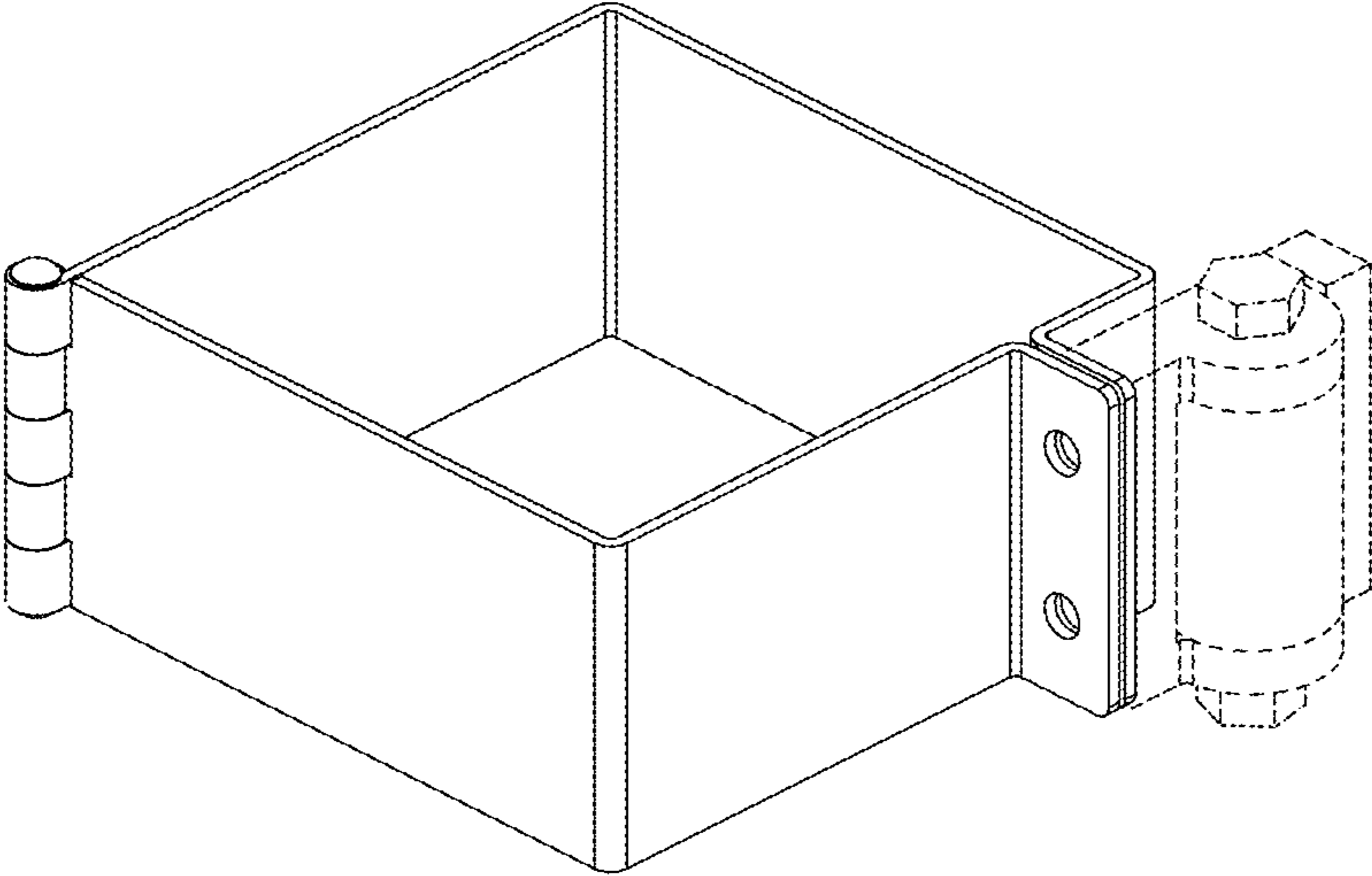


FIG. 7

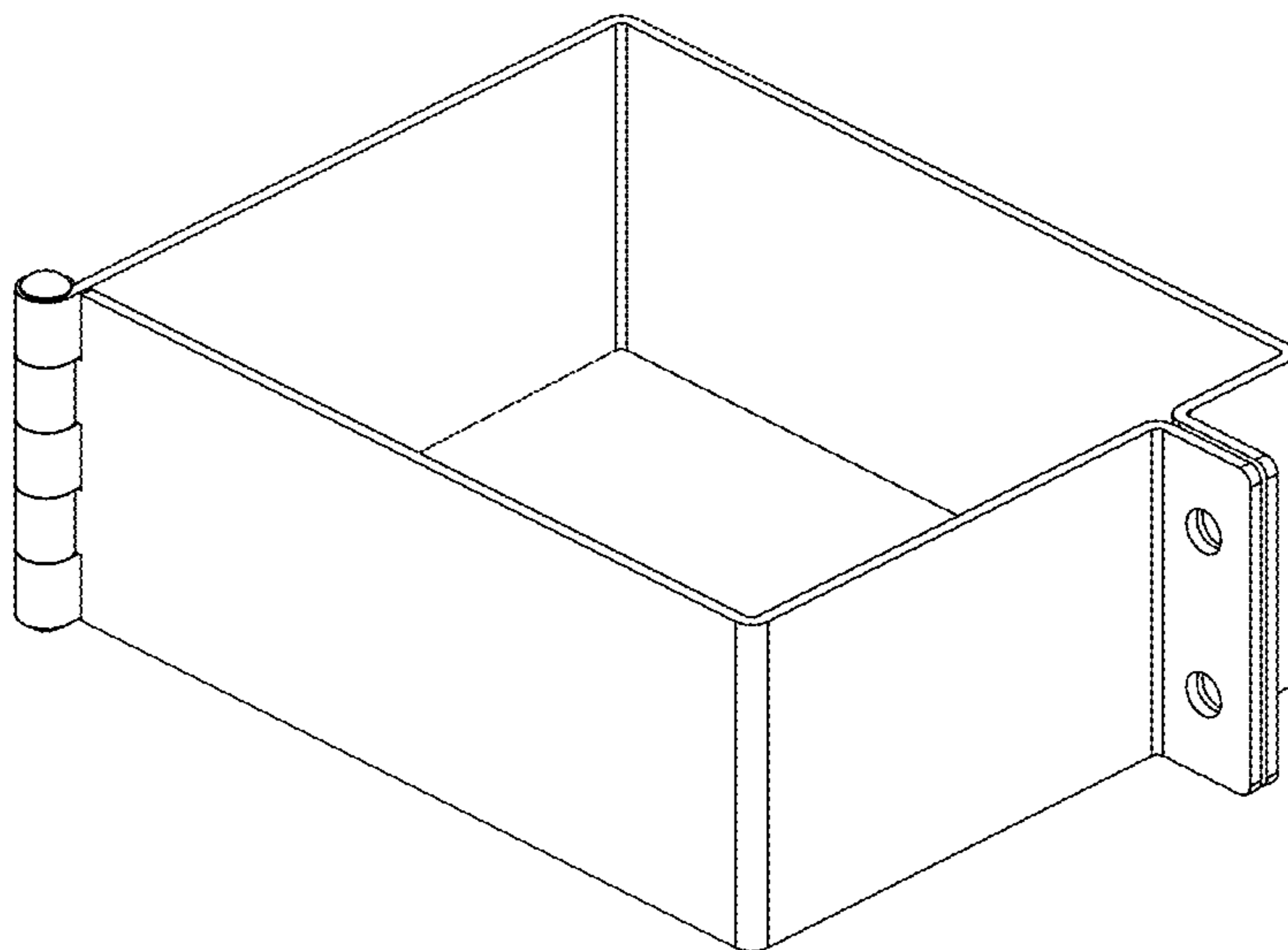


FIG. 8

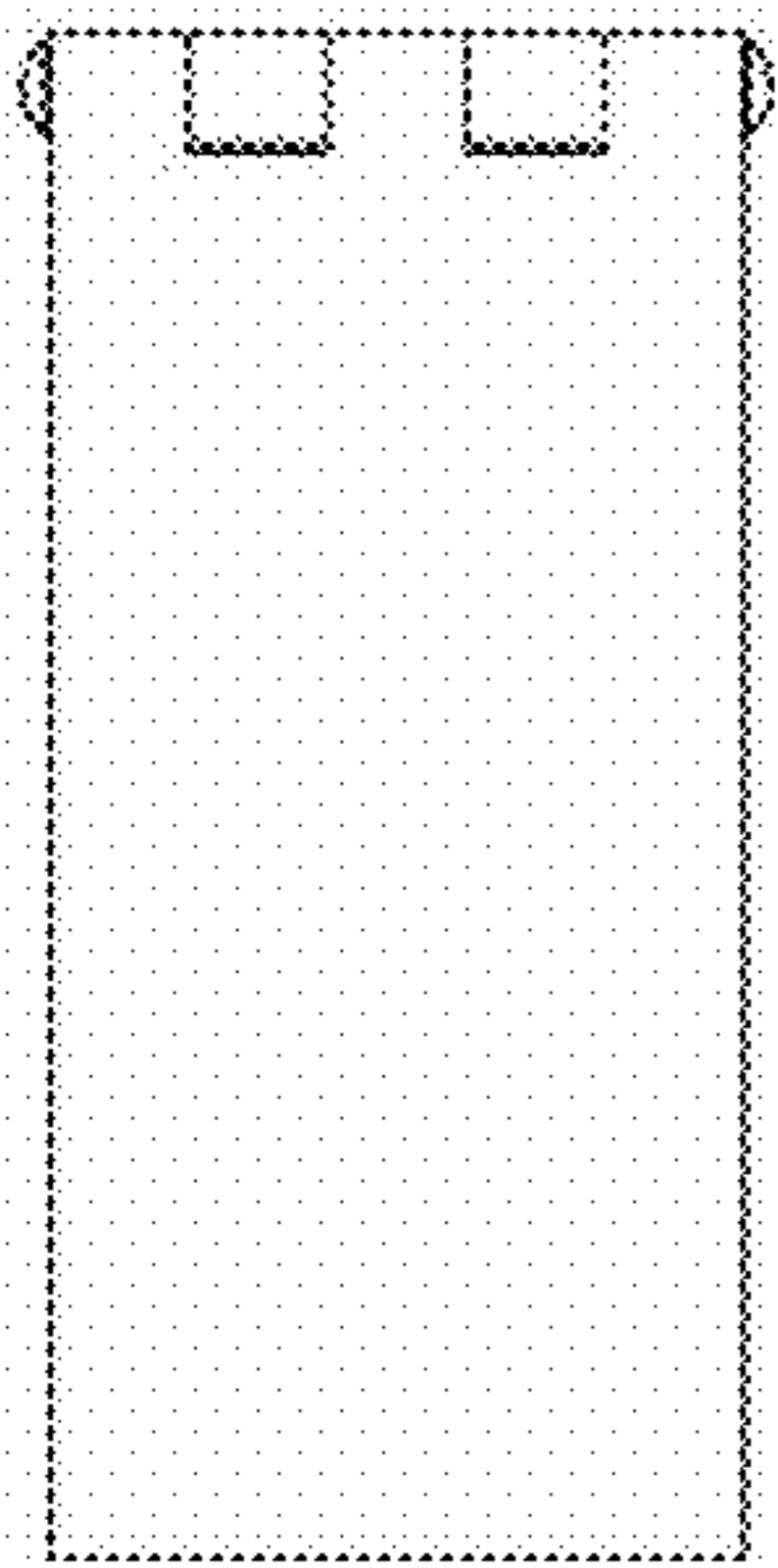


FIG. 9

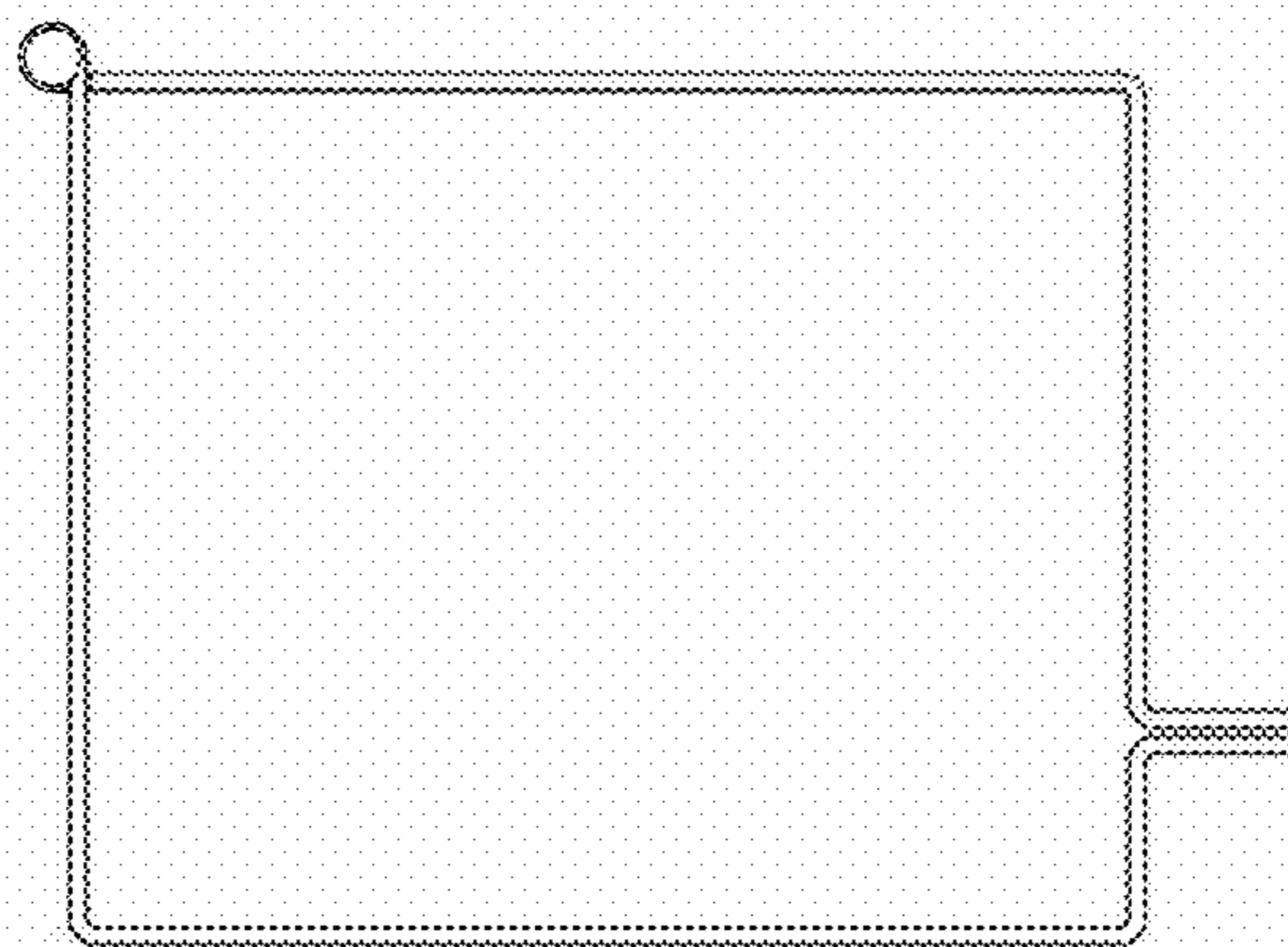


FIG. 10

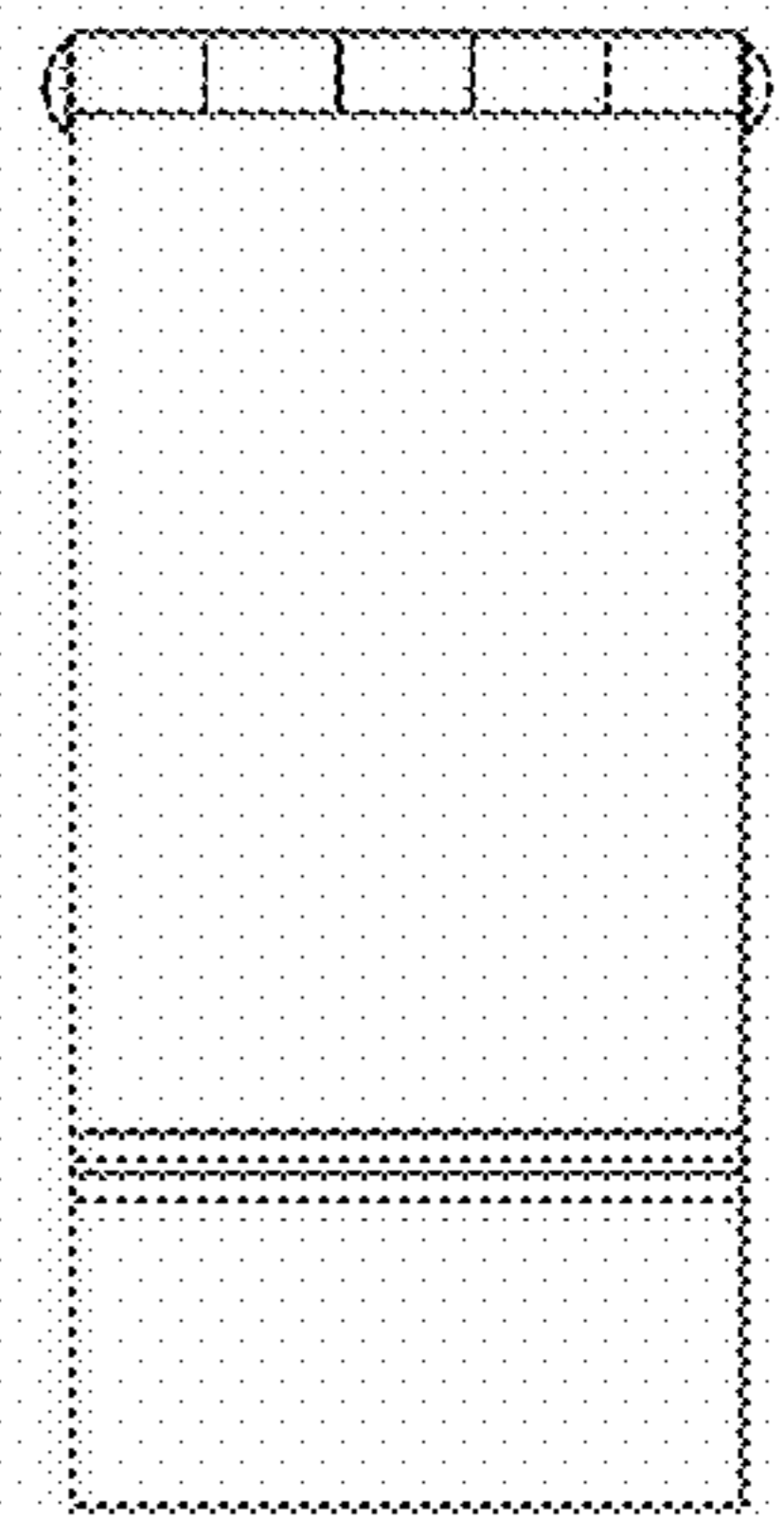


FIG. 11



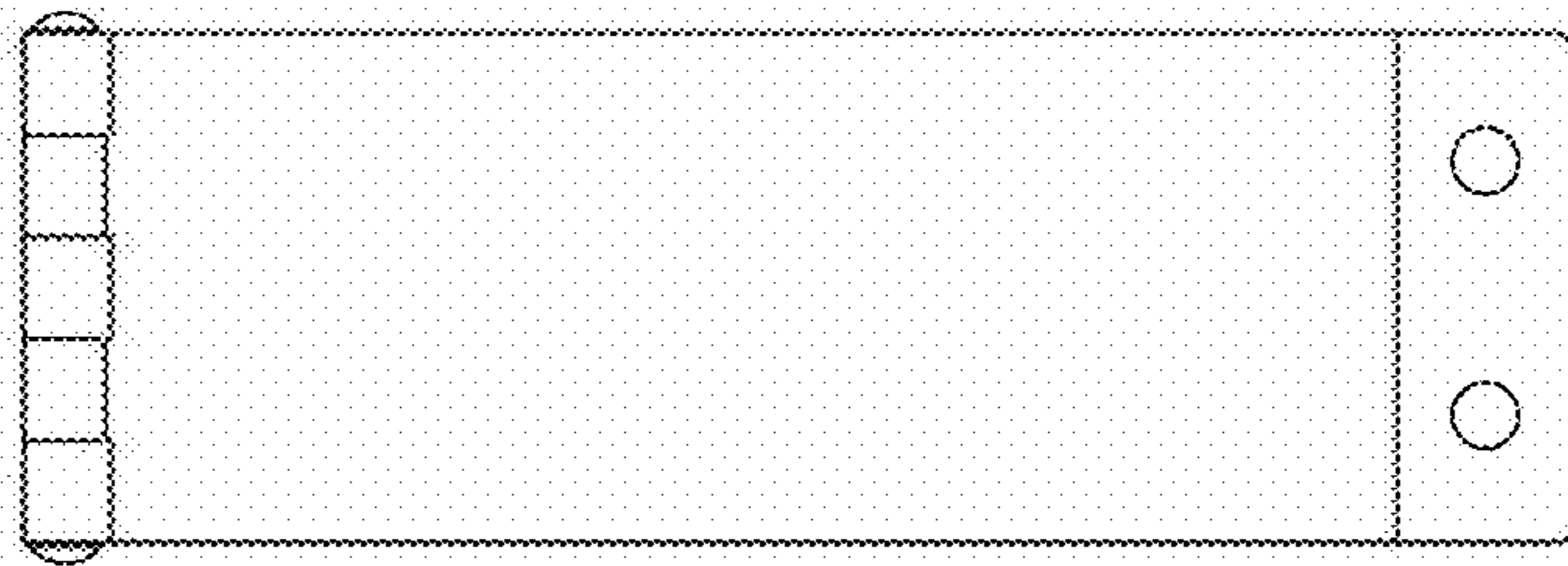


FIG. 12

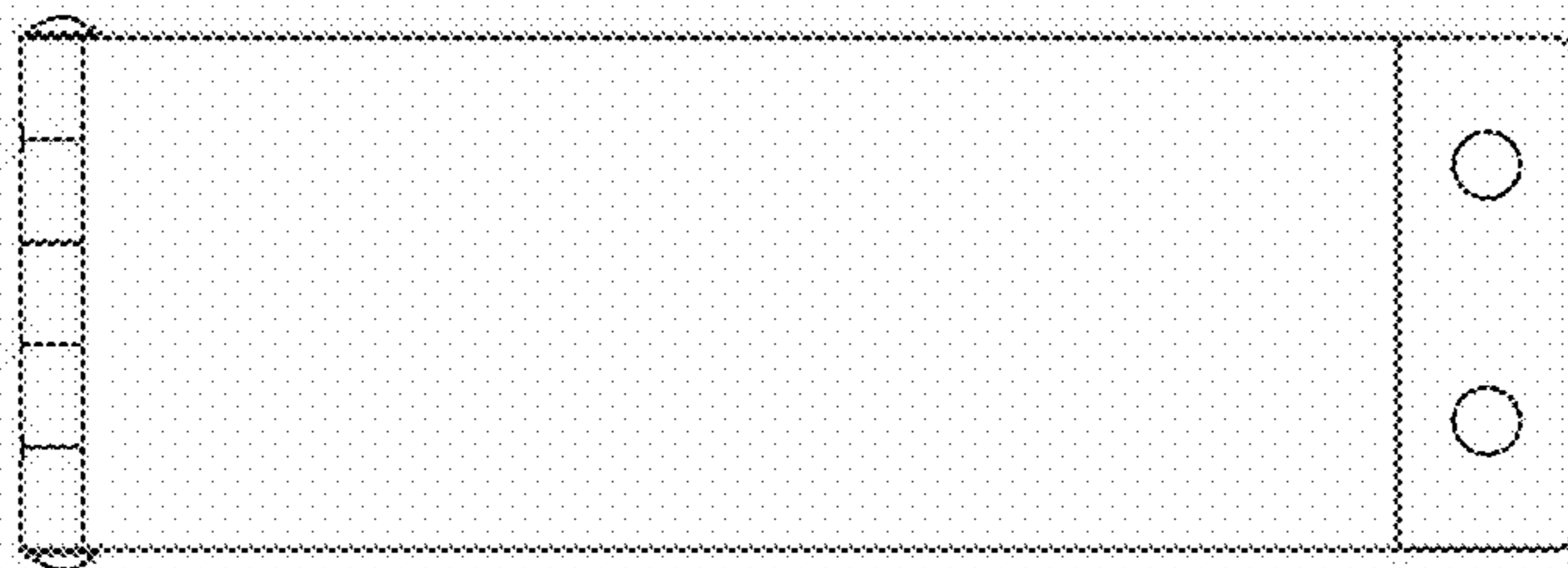


FIG. 13

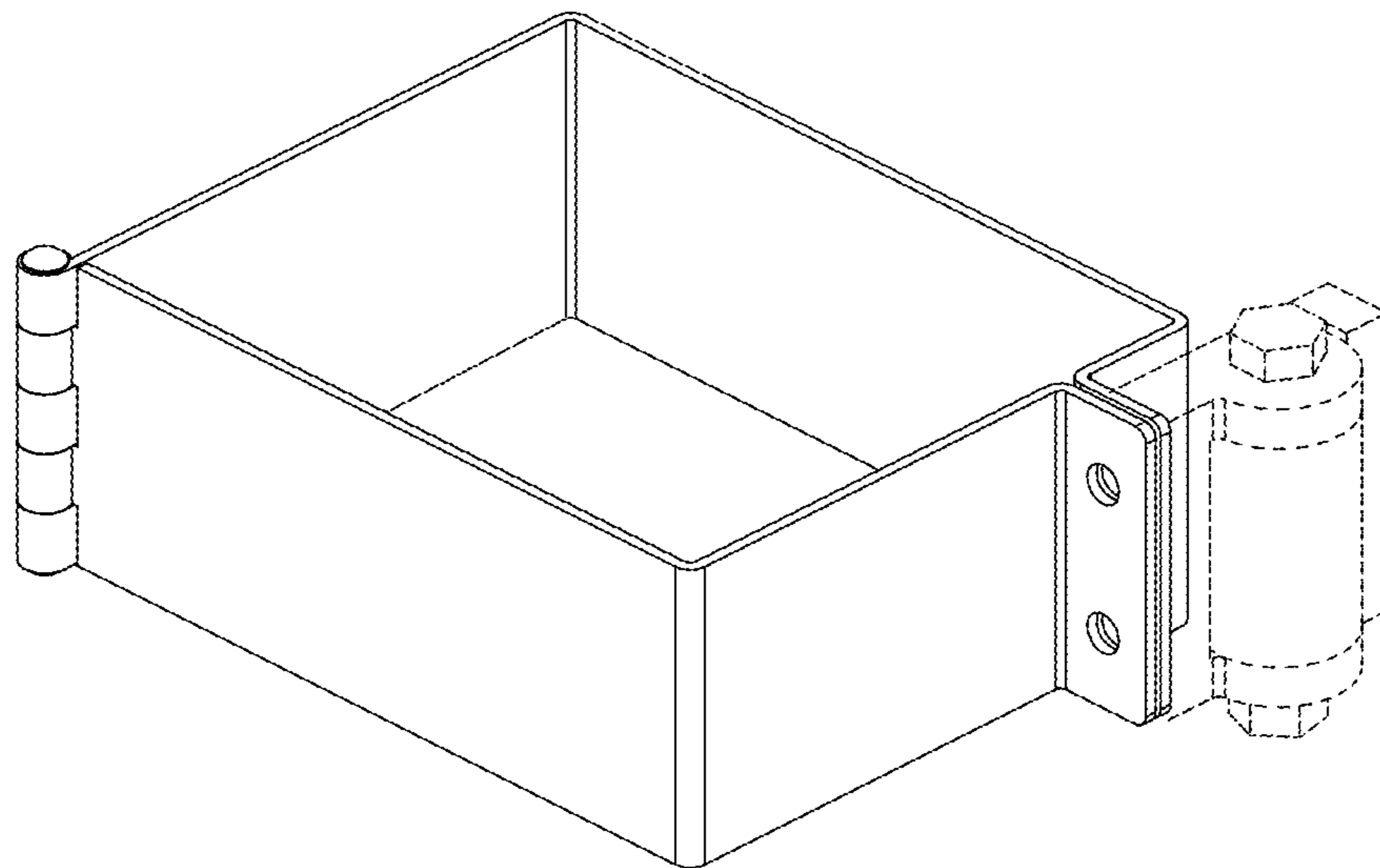


FIG. 14

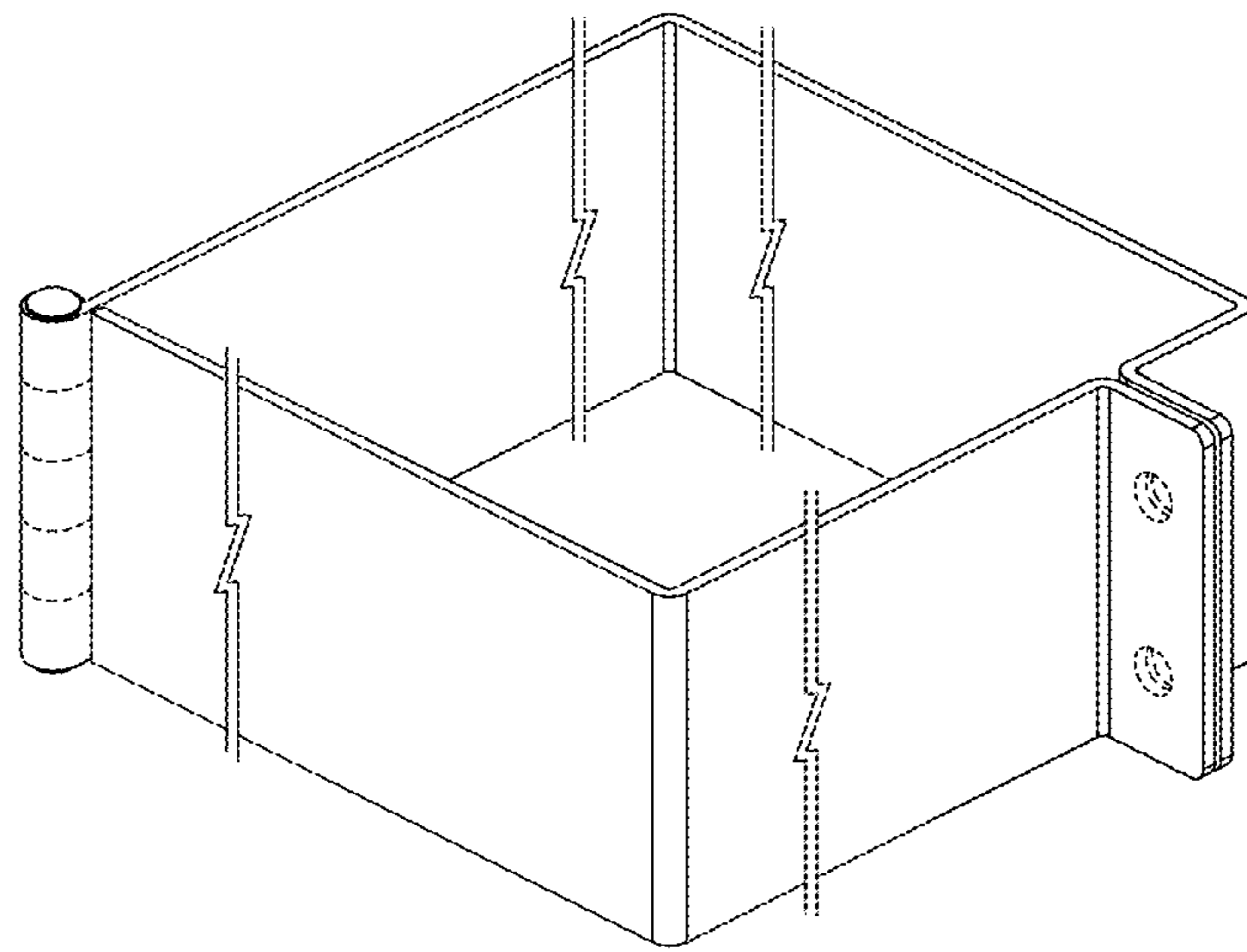


FIG. 15

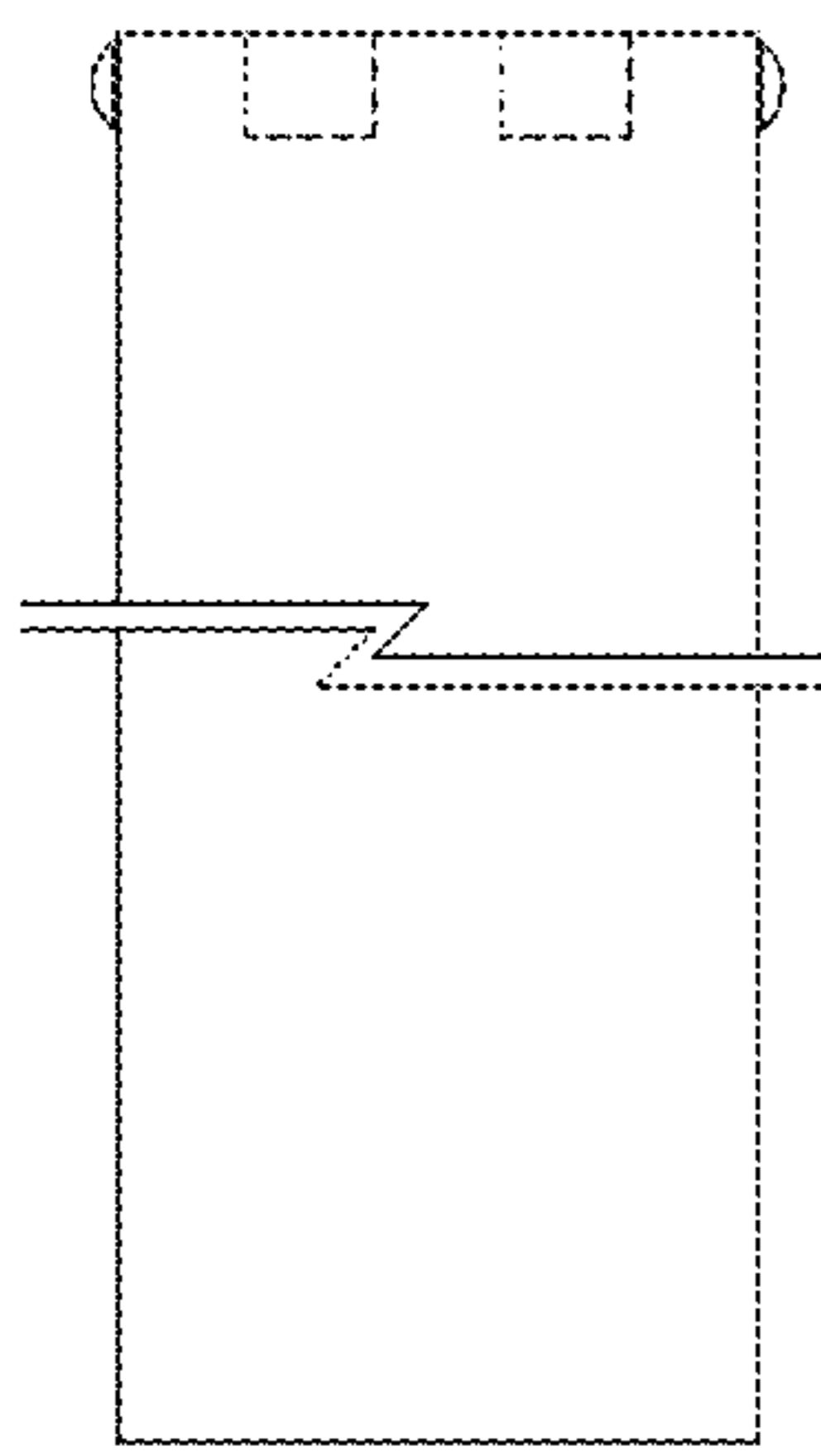


FIG. 16

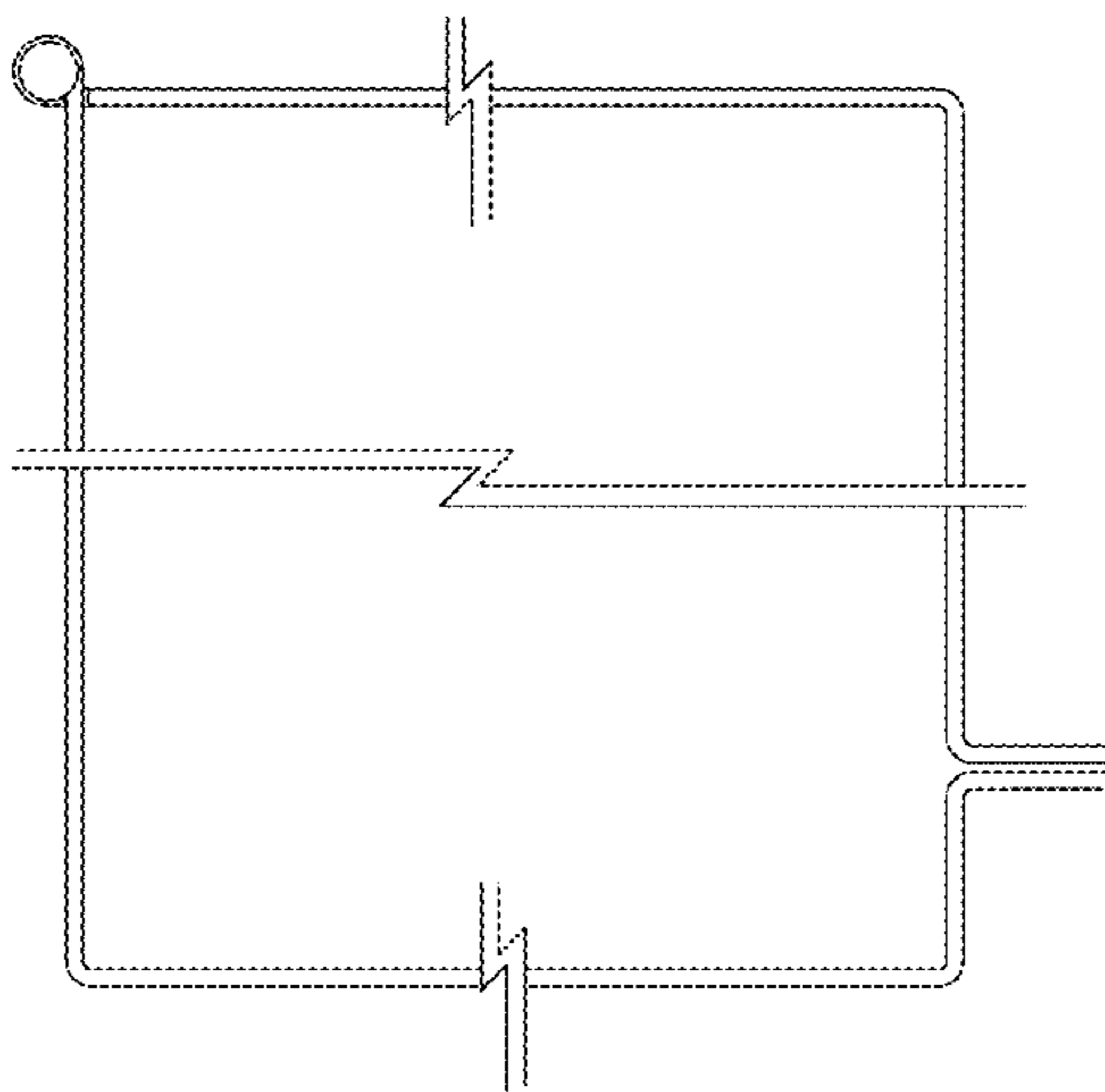


FIG. 17

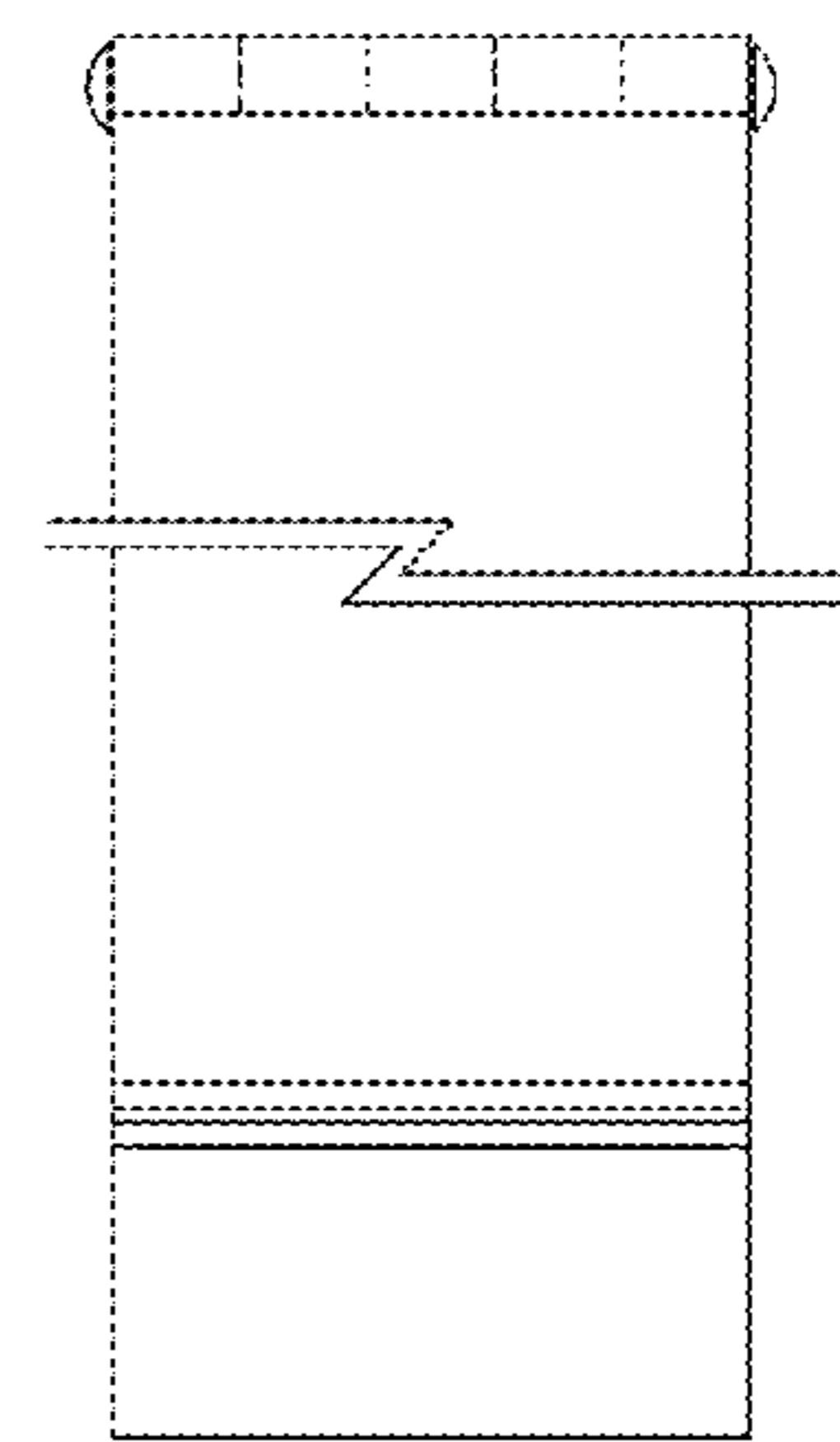


FIG. 18

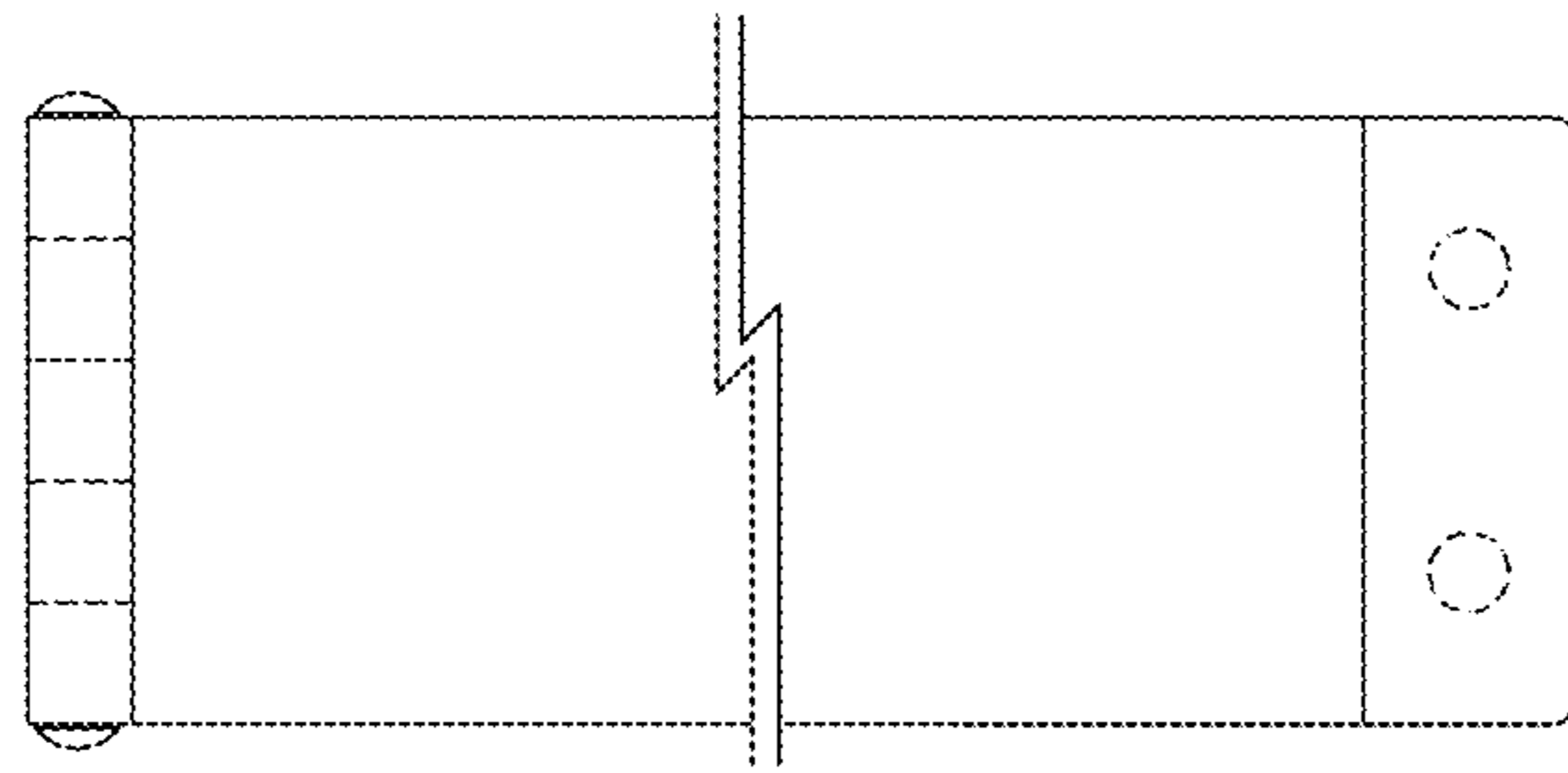


FIG. 19

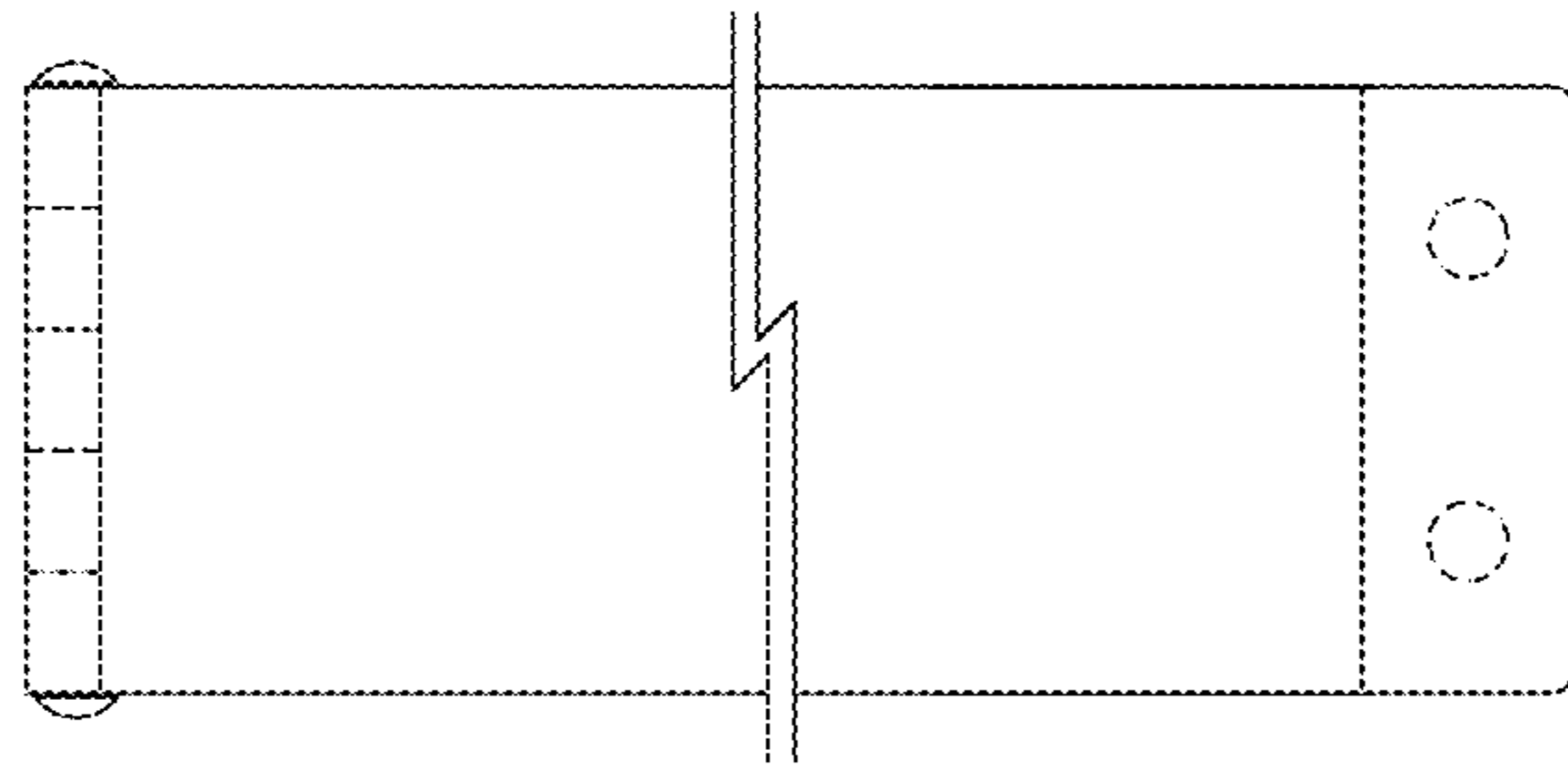


FIG. 20

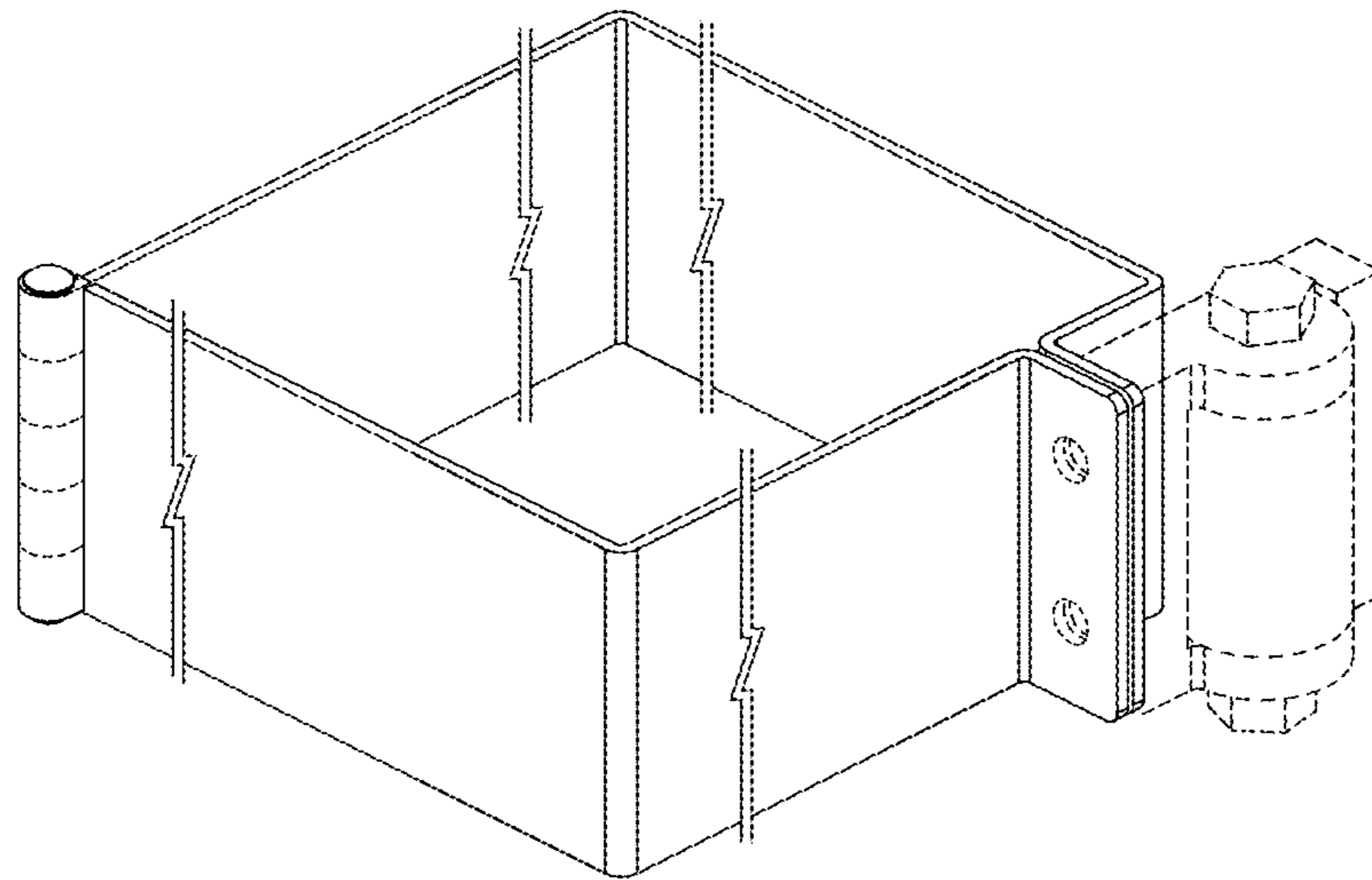


FIG. 21