



US00D963464S

(12) **United States Design Patent** (10) **Patent No.:** **US D963,464 S**  
**Anderson** (45) **Date of Patent:** **\*\* Sep. 13, 2022**

(54) **LEG MOUNT**

(71) Applicant: **PRYM CONSUMER USA INC.,**  
Spartanburg, SC (US)

(72) Inventor: **Victoria Anderson,** Greenville, SC  
(US)

(73) Assignee: **PRYM CONSUMER USA INC.,**  
Spartanburg, SC (US)

(\*\*) Term: **15 Years**

(21) Appl. No.: **29/715,930**

(22) Filed: **Dec. 5, 2019**

(51) **LOC (13) Cl.** ..... **08-05**

(52) **U.S. Cl.**  
USPC ..... **D8/354**

(58) **Field of Classification Search**  
USPC ..... D8/382, 354, 349, 380; D15/28;  
D25/68, 133; D6/641, 685  
CPC ..... A47B 13/021; A47B 2230/0011; F16B  
12/44; F16B 45/00; F16M 13/02  
See application file for complete search history.

(56) **References Cited**

**U.S. PATENT DOCUMENTS**

- 3,516,633 A \* 6/1970 Blackwood ..... A47B 13/021  
248/188
- D249,459 S \* 9/1978 Halliwell ..... D8/354
- D279,449 S \* 7/1985 Finger, Jr. .... D20/10
- D281,144 S \* 10/1985 Astolfi ..... D6/300
- D288,283 S \* 2/1987 Mattson ..... 210/416.5
- 4,745,867 A \* 5/1988 Niemiec ..... A47B 13/021  
108/158
- D328,401 S \* 8/1992 Kelly ..... D8/382
- D357,405 S \* 4/1995 Philippi ..... D6/567
- D364,331 S \* 11/1995 Leek ..... D8/354
- 5,641,139 A \* 6/1997 Miller ..... A47B 13/021  
248/188
- D390,670 S \* 2/1998 Keating ..... D25/133

- D445,327 S \* 7/2001 Emms ..... D8/382
- D590,700 S \* 4/2009 Brockington ..... D8/373
- D680,419 S \* 4/2013 Green ..... B07B 1/15  
D8/354
- D686,057 S \* 7/2013 Castellano ..... D8/354
- D744,317 S \* 12/2015 Densberger ..... D8/354
- D760,581 S \* 7/2016 Pace ..... D8/382
- D793,786 S \* 8/2017 Rawls-Meehan ..... D6/709
- D795,676 S \* 8/2017 Karol ..... D8/354
- D836,421 S \* 12/2018 Luscombe ..... D8/354
- D870,535 S \* 12/2019 Gebhardt ..... D8/354
- D872,309 S \* 1/2020 Moreno Moncada ..... D25/68

(Continued)

**OTHER PUBLICATIONS**

Dritz Fluted Column Bun Feet: Site Visited [Jun. 14, 2021, online].  
Available from Internet URL: <https://www.amazon.com/Dritz-44703-Fluted-Column-Unfinished/dp/B07V9ZZLB5>.\*

*Primary Examiner* — Catherine S Posthauer  
(74) *Attorney, Agent, or Firm* — Nelson Mullins Riley & Scarborough LLP

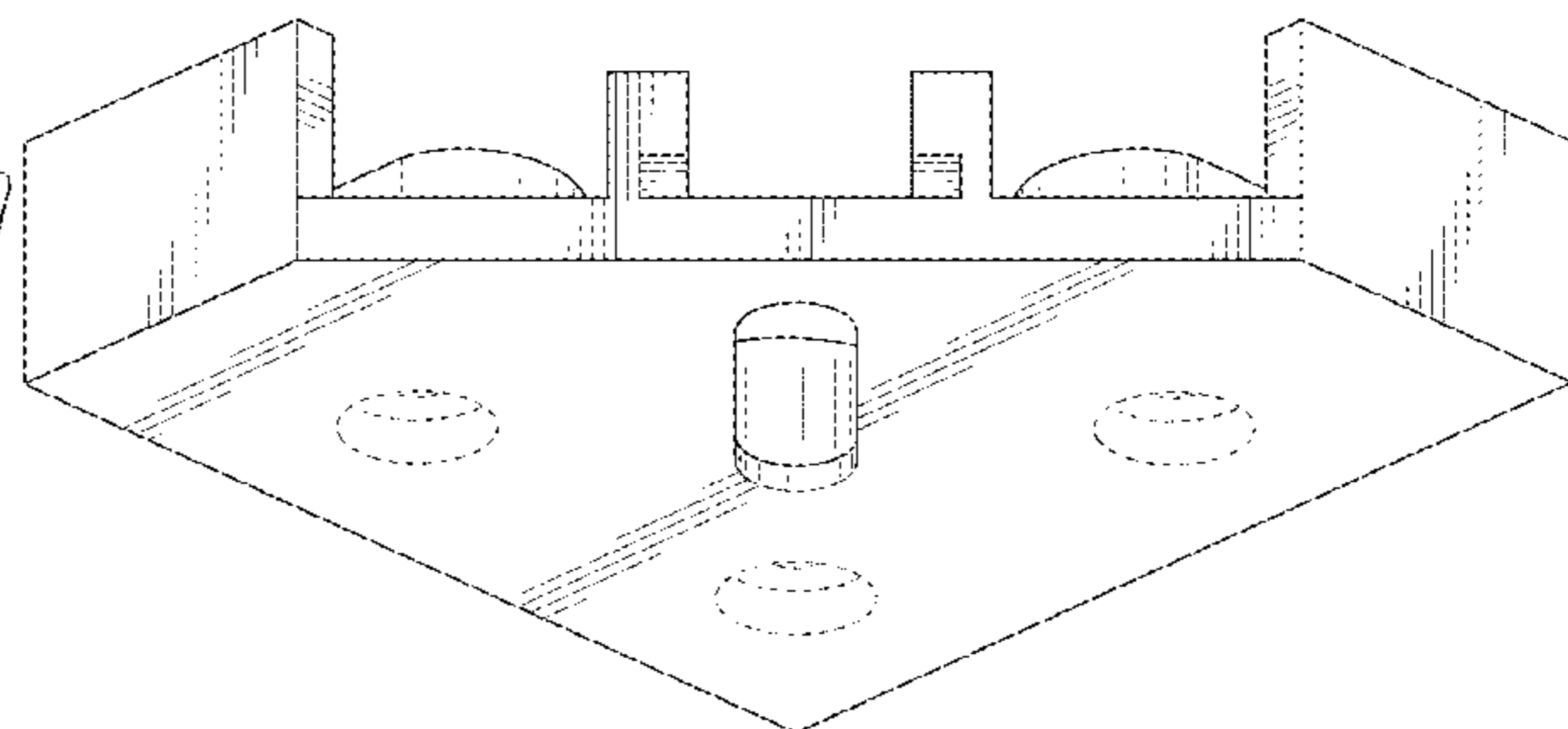
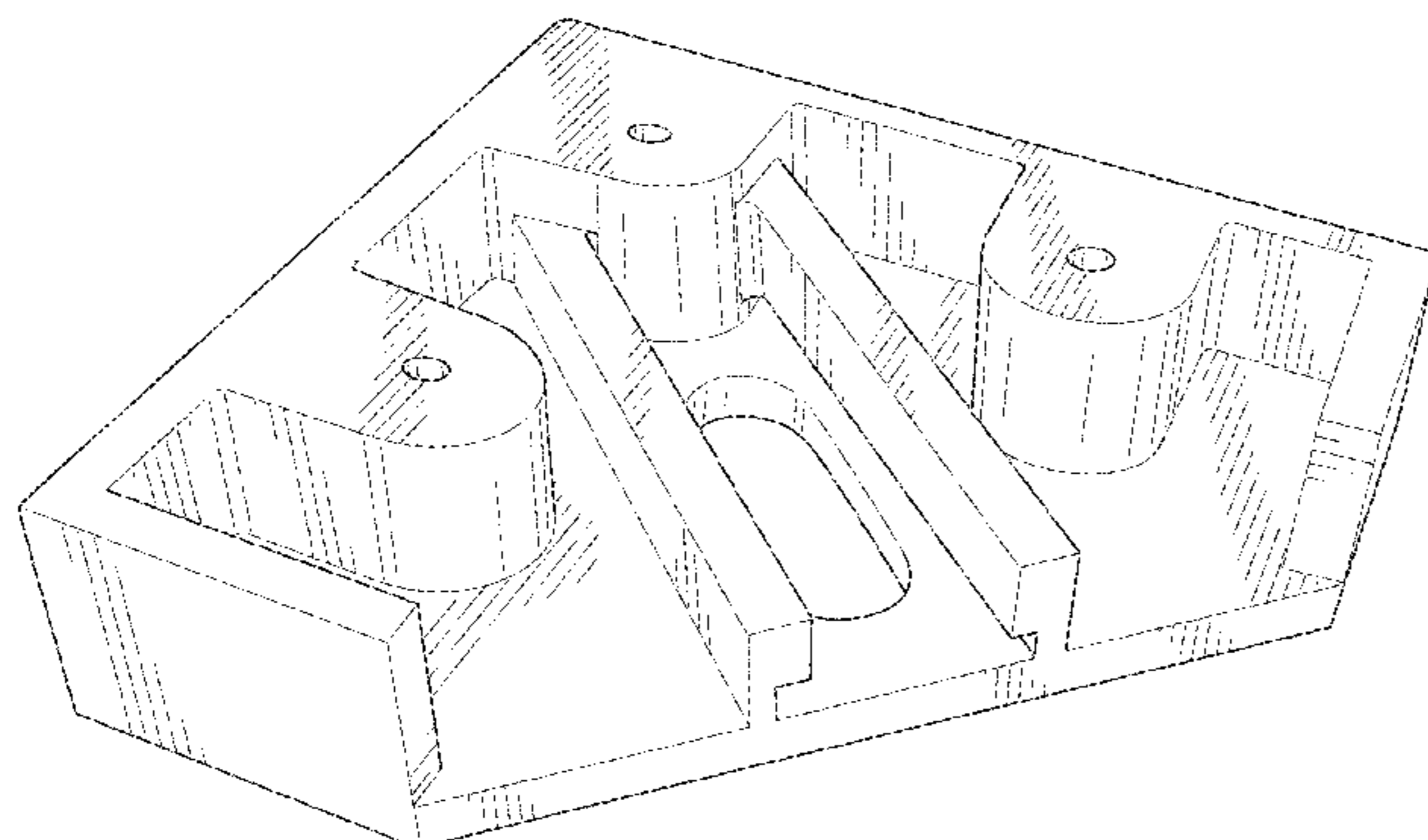
(57) **CLAIM**

The ornamental design for a leg mount, as shown and described.

**DESCRIPTION**

FIG. 1 is a top perspective view of a leg mount, showing my design;  
FIG. 2 is a left side view thereof;  
FIG. 3 is a right side view thereof;  
FIG. 4 is a front view thereof;  
FIG. 5 is a rear view thereof;  
FIG. 6 is a top view thereof;  
FIG. 7 a bottom view thereof; and,  
FIG. 8 is a bottom perspective view thereof.  
The broken lines are shown for the purpose of illustrating portions of the article that form no part of the claimed design.

**1 Claim, 5 Drawing Sheets**



(56)

**References Cited**

U.S. PATENT DOCUMENTS

D876,930	S *	3/2020	Stener .....	D8/354
D884,464	S *	5/2020	Krake .....	D8/373
D896,617	S *	9/2020	Zhan .....	D8/354
D913,081	S *	3/2021	Cuddy .....	D8/354
2014/0286695	A1 *	9/2014	Jocham .....	F16B 12/44 403/205
2017/0108022	A1 *	4/2017	Gregory .....	F16B 12/44
2019/0038036	A1 *	2/2019	Squires .....	A47C 31/02
2020/0245758	A1 *	8/2020	Perelman .....	A47B 13/021

\* cited by examiner

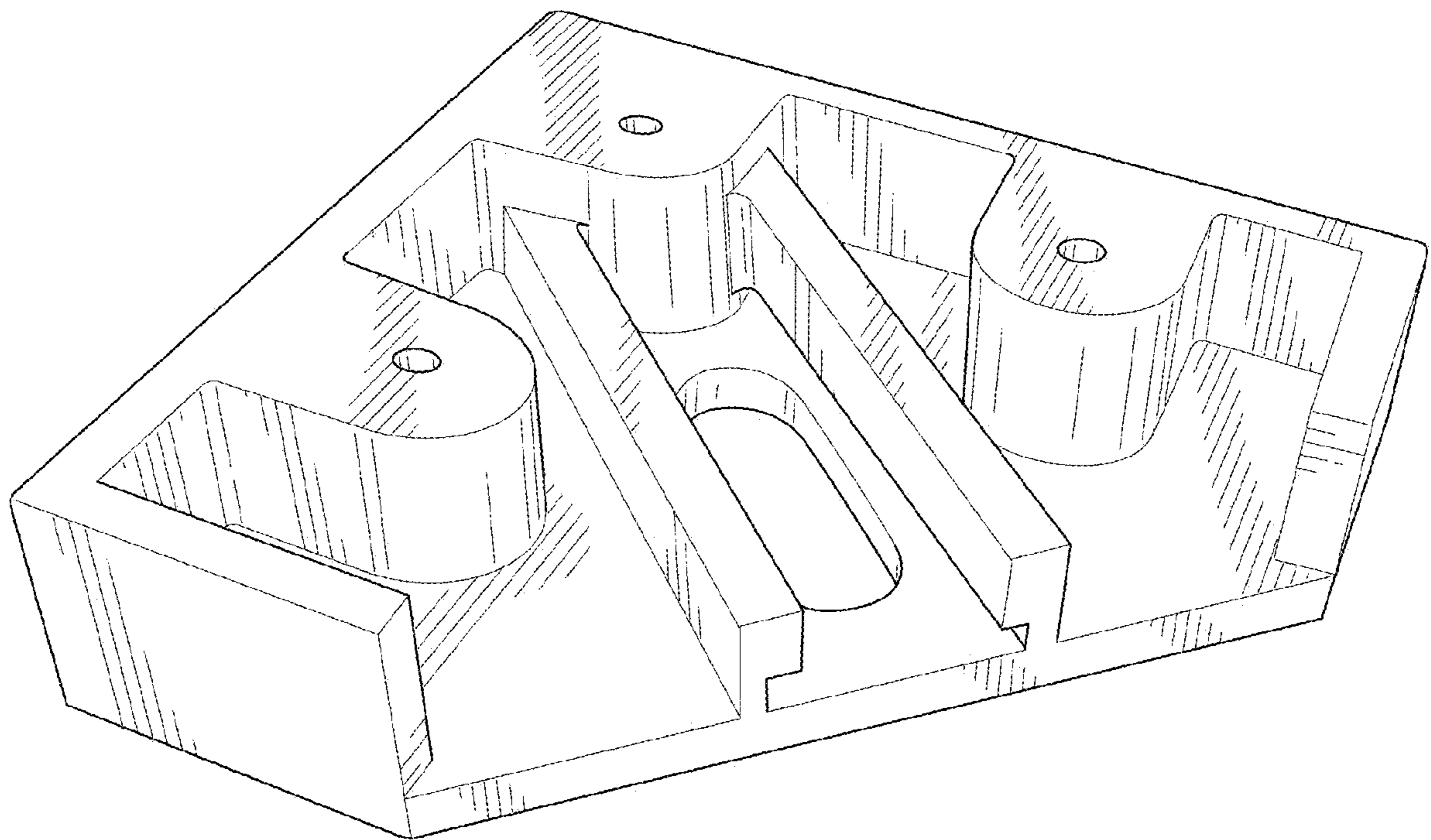


FIG. 1

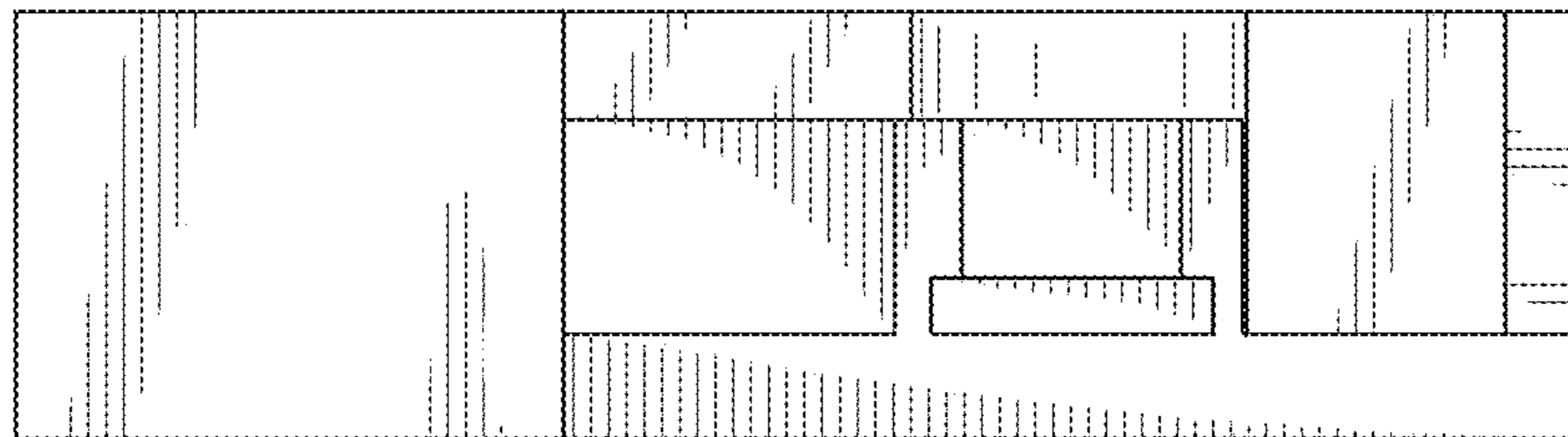


FIG. 2



FIG. 3



FIG. 4

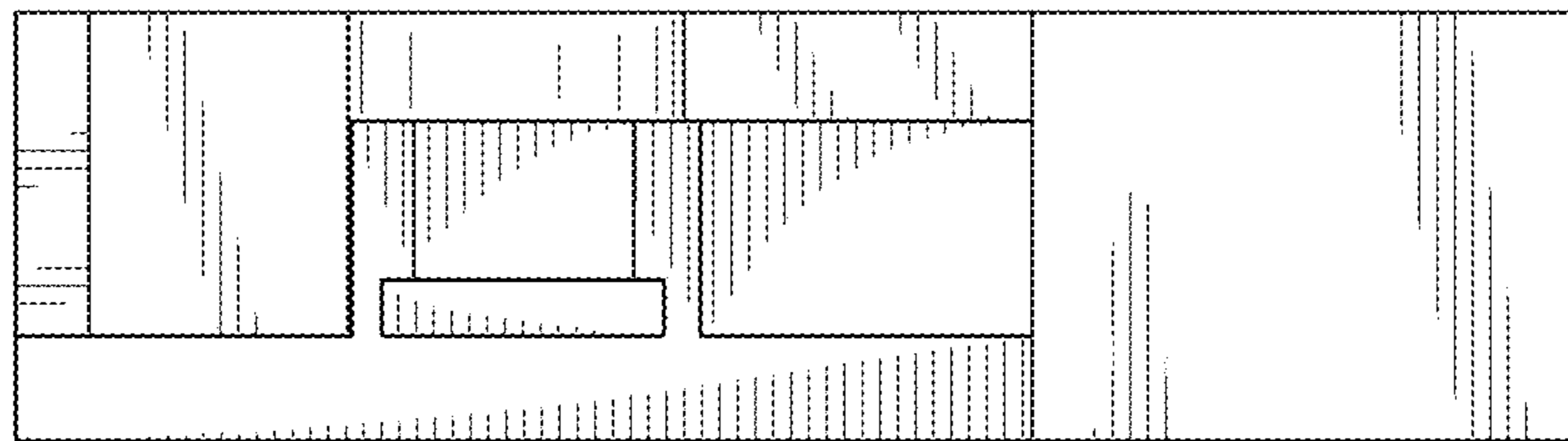


FIG. 5

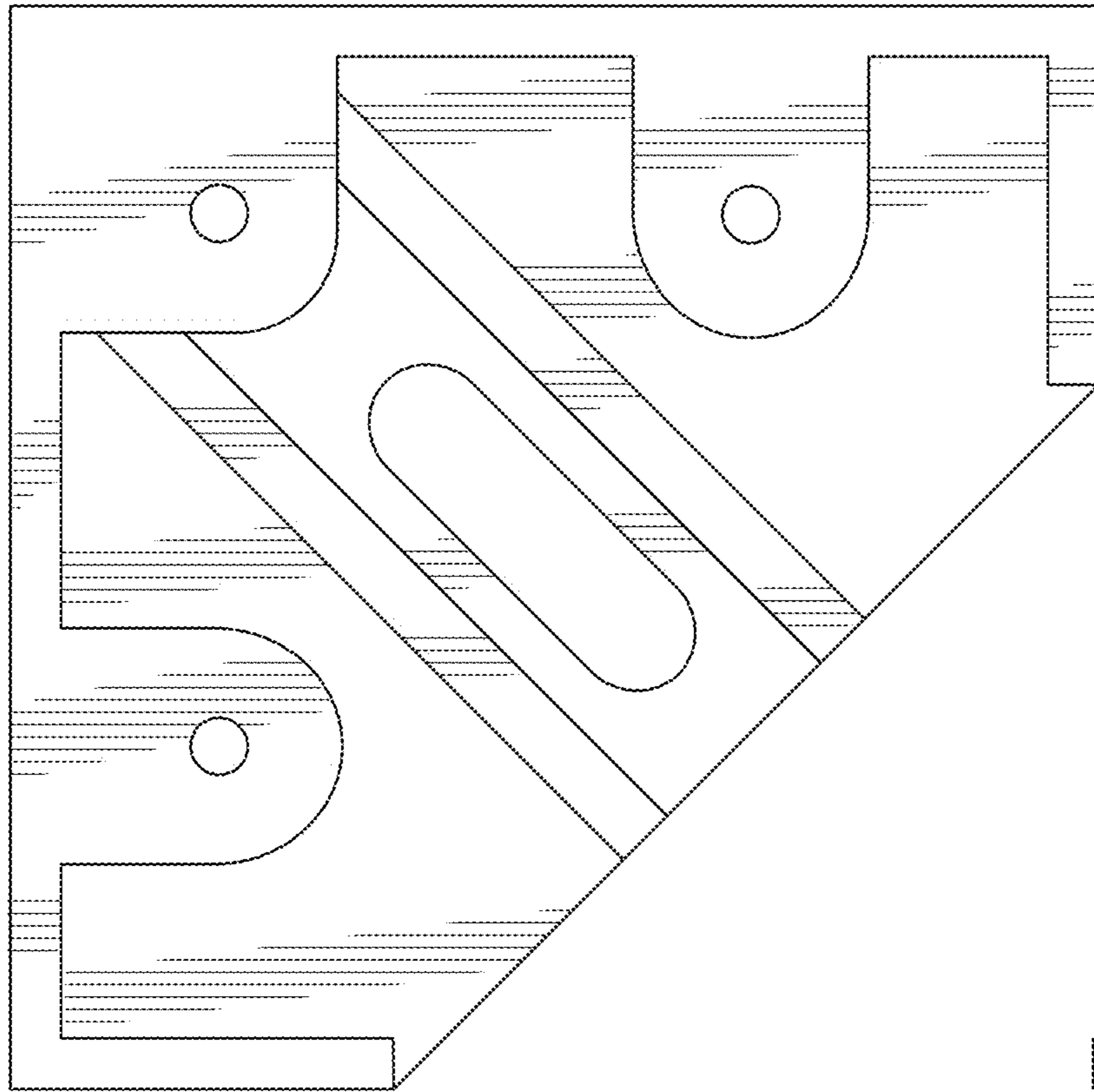


FIG. 6

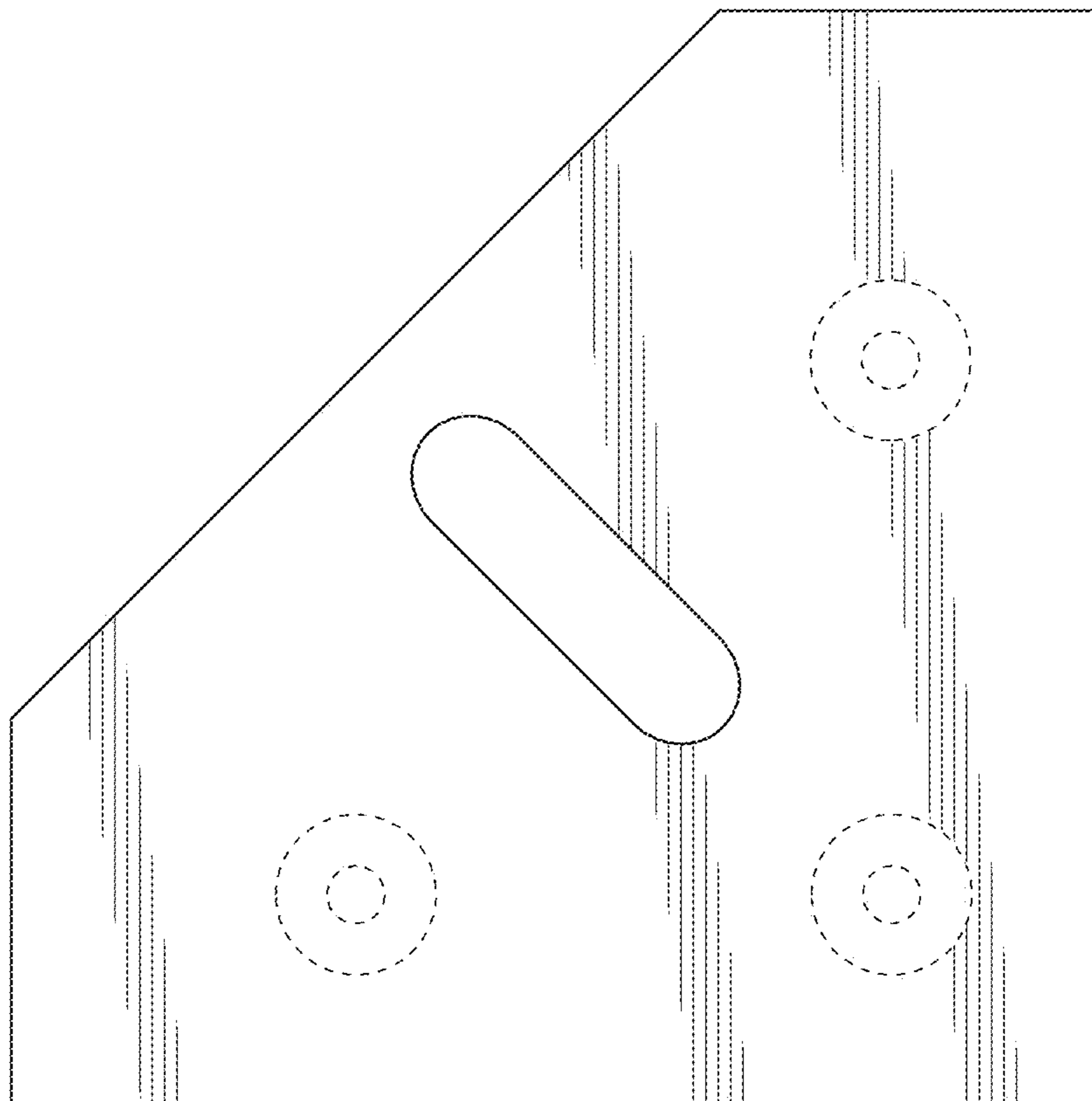


FIG. 7

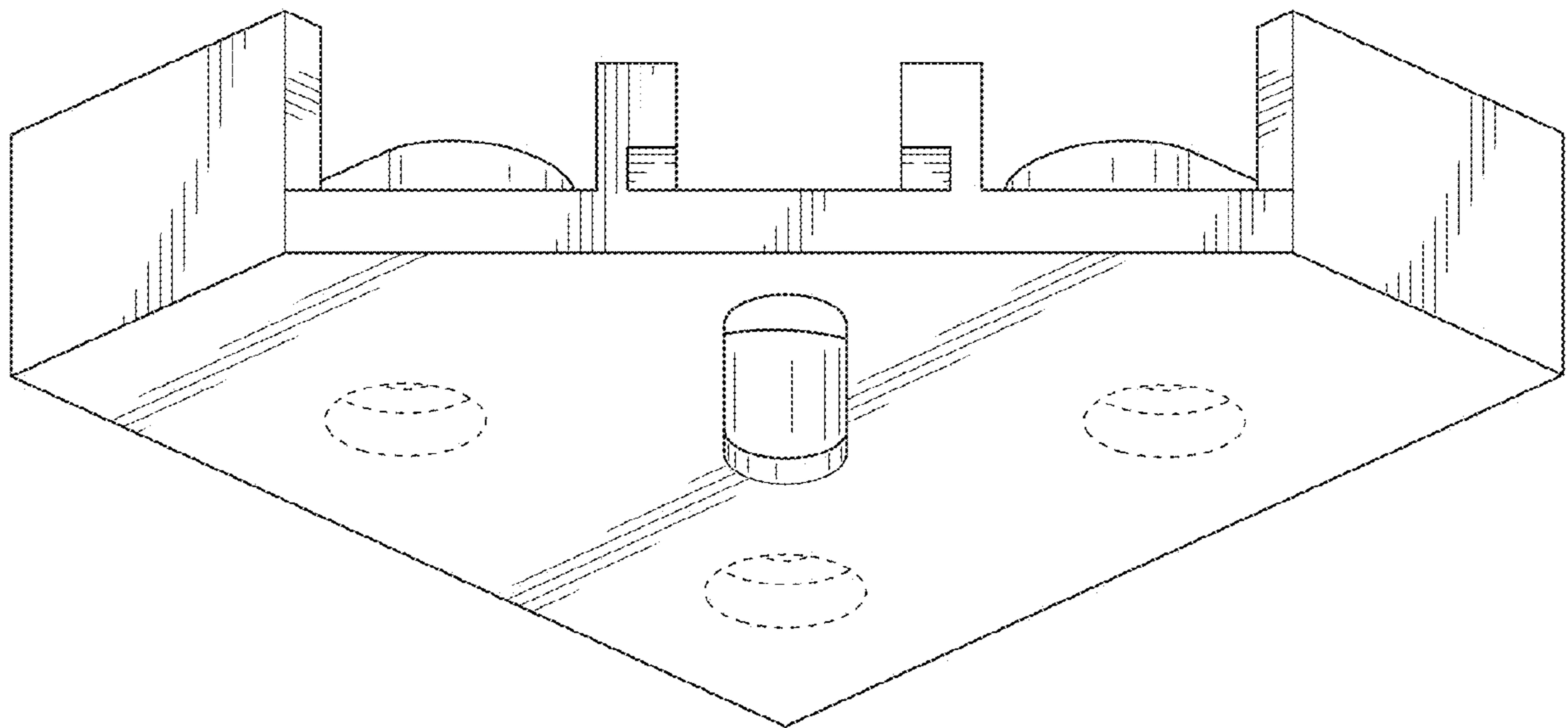


FIG. 8