



US00D963463S

(12) **United States Design Patent** (10) **Patent No.:** **US D963,463 S**
Marak et al. (45) **Date of Patent:** **** Sep. 13, 2022**

(54) **FALL ARRESTER**
(71) Applicant: **Honeywell International Inc.**, Morris Plains, NJ (US)
(72) Inventors: **Pavel Marak**, Brno (CZ); **Scott Hugh Bradford**, Scotland (GB); **Josef Novotny**, Kuncina (CZ); **Frank Muessig**, Bavaria (DE)
(73) Assignee: **HONEYWELL INTERNATIONAL INC.**, Charlotte, NC (US)
(**) Term: **15 Years**
(21) Appl. No.: **29/711,723**
(22) Filed: **Nov. 1, 2019**
(51) **LOC (13) Cl.** **08-05**
(52) **U.S. Cl.**
USPC **D8/354**
(58) **Field of Classification Search**
USPC D8/356, 360, 373, 364, 381, 401, 499, D8/354; D12/42, 317, 107, 213
CPC ... F16H 55/50; A62B 1/14; F16B 2/08; B60R 22/24; A44B 11/05; A44B 6/00; A02D 29/127; E06C 7/186; E21B 40/00
See application file for complete search history.

(56) **References Cited**
U.S. PATENT DOCUMENTS
D257,557 S * 11/1980 Rex D12/51
D257,663 S * 12/1980 McKee D8/354
D346,322 S * 4/1994 Ziaylek, Jr. D8/349
D712,816 S * 9/2014 Maholick D12/223
D734,119 S * 7/2015 Kufner D8/105
D845,110 S * 4/2019 Cox D8/354
D893,284 S * 8/2020 Hanley A47H 1/02
D893,285 S * 8/2020 Lagnese, Sr. D8/354
D904,861 S * 12/2020 McWilliams D8/354
D905,537 S * 12/2020 Marsden D8/354
D906,095 S * 12/2020 DeDios-Shirley D8/354
D931,084 S * 9/2021 Schafhuber D8/354

D931,711 S * 9/2021 Sharma D8/354
D931,712 S * 9/2021 Lagnese, Sr. D8/354
(Continued)

FOREIGN PATENT DOCUMENTS

EP 2581115 B1 8/2018

OTHER PUBLICATIONS

Universal II GlideLoc Fall Arrester _ 25805-Z7_ _ Miller by Honeywell, Date Visited: Dec. 18, 2021, All Safe Industries, Date Available: Dec. 18, 2021, <https://www.allsafeindustries.com/universal-ii-glideloc-fall-arrester.aspx> (Year: 2021).*
(Continued)

Primary Examiner — Karen S Acker
Assistant Examiner — Elizabeth S Ko
(74) *Attorney, Agent, or Firm* — Alston & Bird LLP

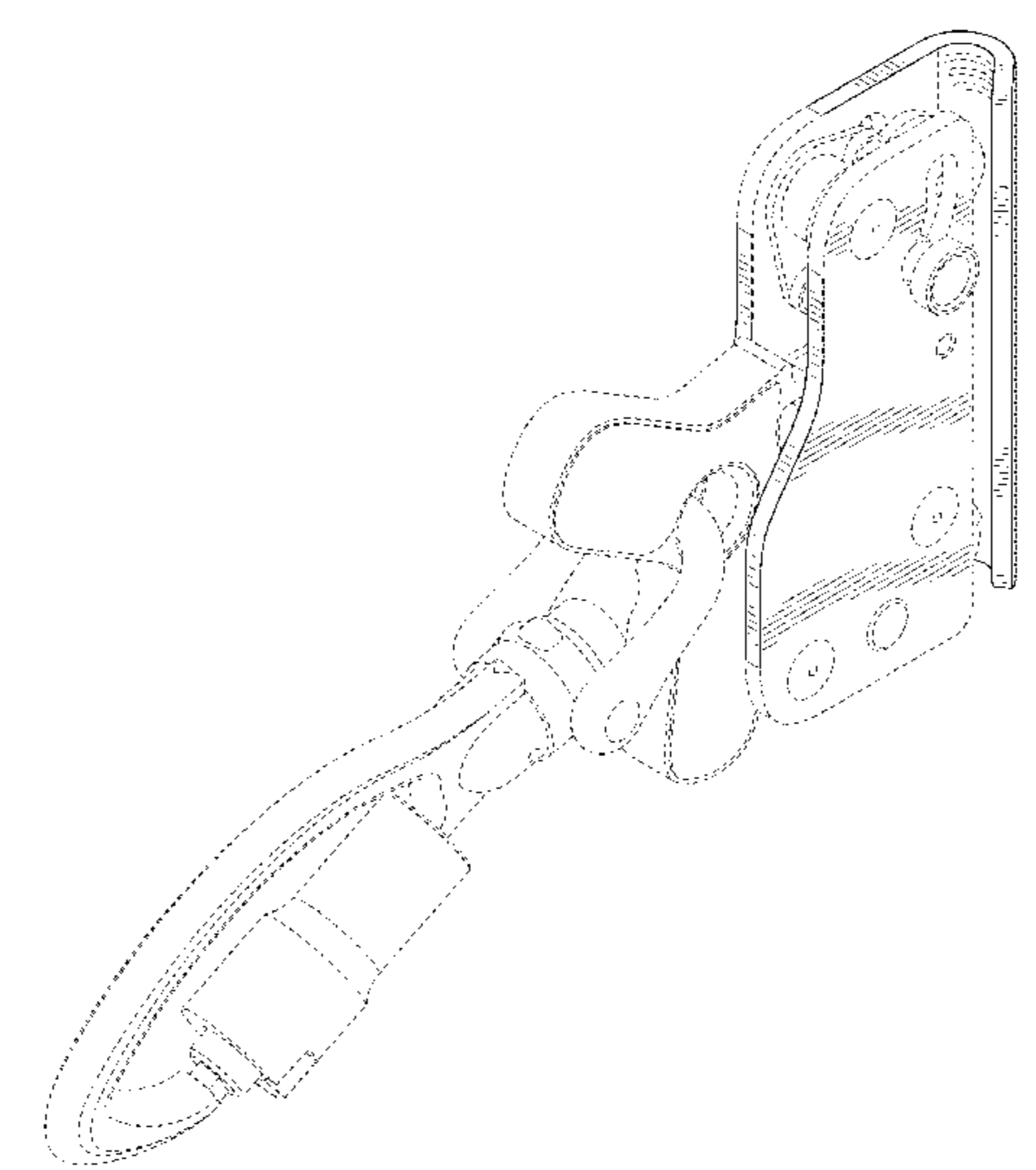
(57) **CLAIM**

We claim the ornamental design for a fall arrester, as shown and described.

DESCRIPTION

FIG. 1 is a first perspective view of a fall arrester showing our new design;
FIG. 2 is a second perspective view thereof;
FIG. 3 is a front elevation view thereof;
FIG. 4 is a rear elevation view thereof;
FIG. 5 is a right side elevation view thereof;
FIG. 6 is a left side elevation view thereof;
FIG. 7 is a top plan view thereof;
FIG. 8 is a bottom plan view thereof; and,
FIG. 9 is another perspective view thereof, shown in a position of use.
The broken lines in the drawings depict portions of the fall arrester that form no part of the claimed design.
Additional broken lines in FIG. 9 depict environmental subject matter that forms no part of the claimed design.

1 Claim, 7 Drawing Sheets



(56)

References Cited

U.S. PATENT DOCUMENTS

D932,874	S	*	10/2021	Del Rossa	D8/354
D932,875	S	*	10/2021	Parrott	D8/354
D937,664	S	*	12/2021	Brunskill	D8/354
2003/0051944	A1		3/2003	Shea		
2011/0011672	A1		1/2011	Price, Jr.		
2019/0099625	A1*		4/2019	Muessig	A62B 1/14
2021/0128955	A1*		5/2021	Marak	A62B 35/0037
2021/0220680	A1*		7/2021	Novotny	F16D 63/008

OTHER PUBLICATIONS

TwinStop Fall Arrester _ Cresto Group AB, Date Visited: Dec. 18, 2021, Cresto Group, Date Available: Dec. 18, 2021, <https://www.crestogroup.com/en/twinstop-fall-arrester/c-26/p-77> (Year: 2021).*

Miller GlideLoc II Universal Fall Arrester, Date Visited: Dec. 18, 2021, Dakota Riggers, Date Available: Dec. 18, 2021, https://www.dakotariggers.com/Miller-GlideLoc-II-Universal-Fall-Arrester_p_1186.html (Year: 2021).*

Fall Arrester, [online], [retrieved Feb. 7, 2020], retrieved from the Internet <URL: <https://www.indiamart.com/proddetail/fall-arrester-10745076133.html>, 5 pages.

Honeywell Miller 8172/U MicroLoc Trailing Wire Rope Grabs for 5/16-Inch Wire Rope, Universal, [online], [retrieved Feb. 7, 2020], retrieved from the Internet <URL: https://images-na.ssl-images-amazon.com/images/I/71wcgrrLIRL._SL1500_.jpg, 1 page.

Honeywell Miller 8172/U MicroLoc Trailing Wire Rope Grabs for 5/16-Inch Wire Rope, Universal, [online], [retrieved Feb. 7, 2020], retrieved from the Internet <URL: <https://www.amazon.com/Honeywell-8172-MicroLoc-Trailing-Universal/dp/B002A5J6CG>, 5 pages.

Honeywell Miller Söll Cable Sleeve , 310 lb. Weight Capacity, Stainless Steel/Aluminum/High Impact Nylon, [online], [retrieved Feb. 7, 2020], retrieved from the Internet <URL: <https://www.grainger.com/product/HONEYWELL-MILLER-Cable-Sleeve-3RCD1>, 2 pages.

Honeywell Miller Söll Cable Sleeve , 310 lb. Weight Capacity, Stainless Steel/Aluminum/High Impact Nylon, [online], [retrieved Feb. 7, 2020], retrieved from the Internet <URL: [https://static.grainger.com/rp/s/is/image/Grainger/3RCD1_AS01?\\$zmmain\\$](https://static.grainger.com/rp/s/is/image/Grainger/3RCD1_AS01?$zmmain$), 1 page.

Zero Abseil FlexiGlide guided rope fall arrester 1389 / AC-040, [online], [retrieved Feb. 7, 2020], retrieved from the Internet <URL: https://zeroheightsafety.com/wp-content/uploads/2017/06/AC-040_full_rgb_web.jpg, 1 page.

* cited by examiner

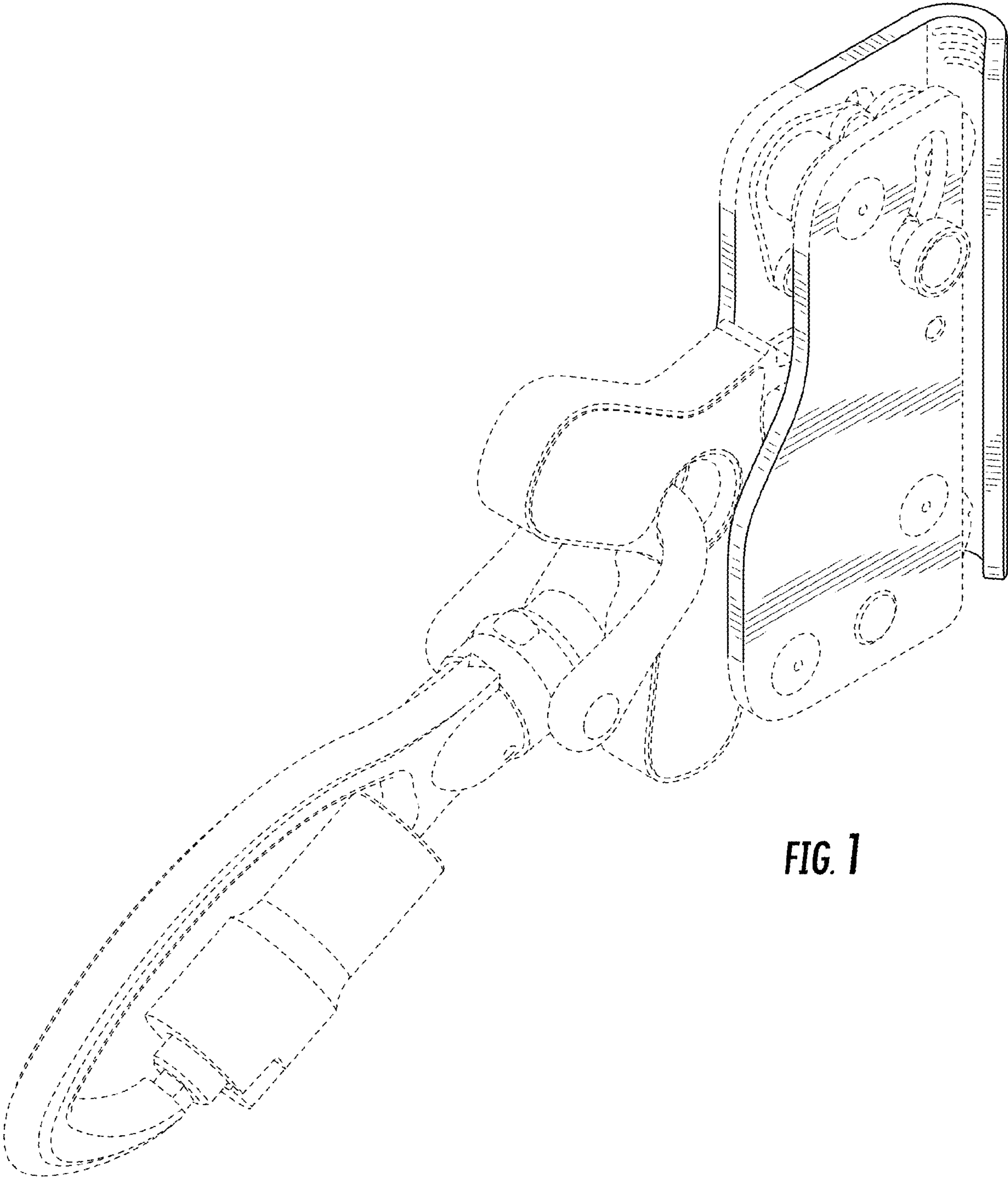


FIG. 1

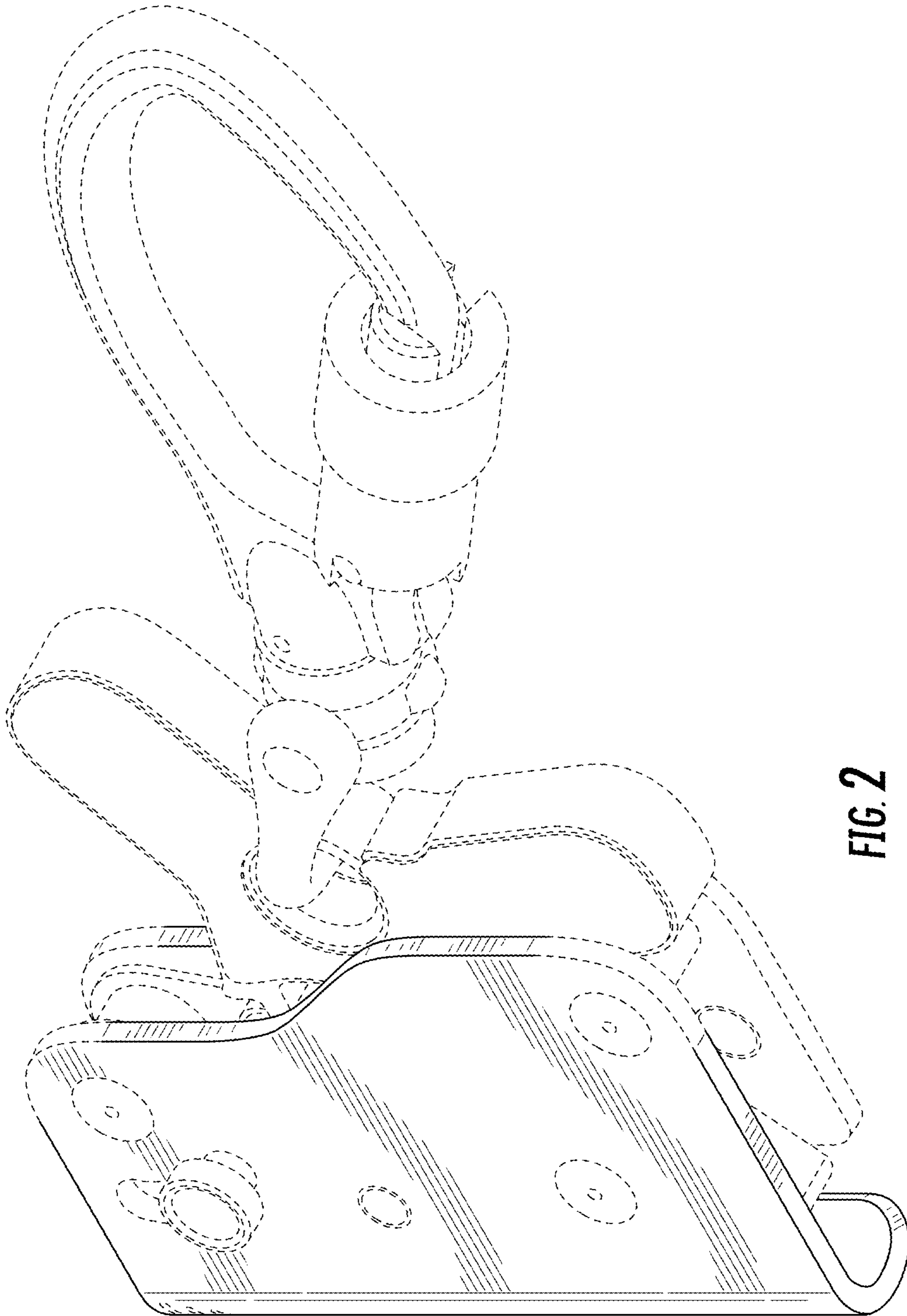


FIG. 2

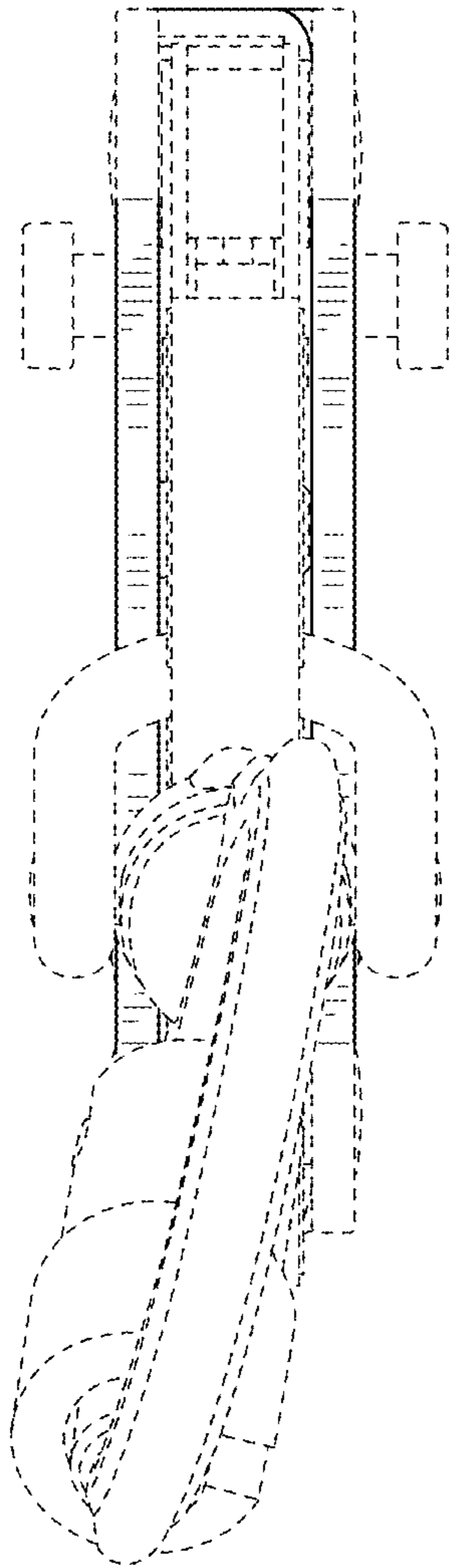


FIG. 3

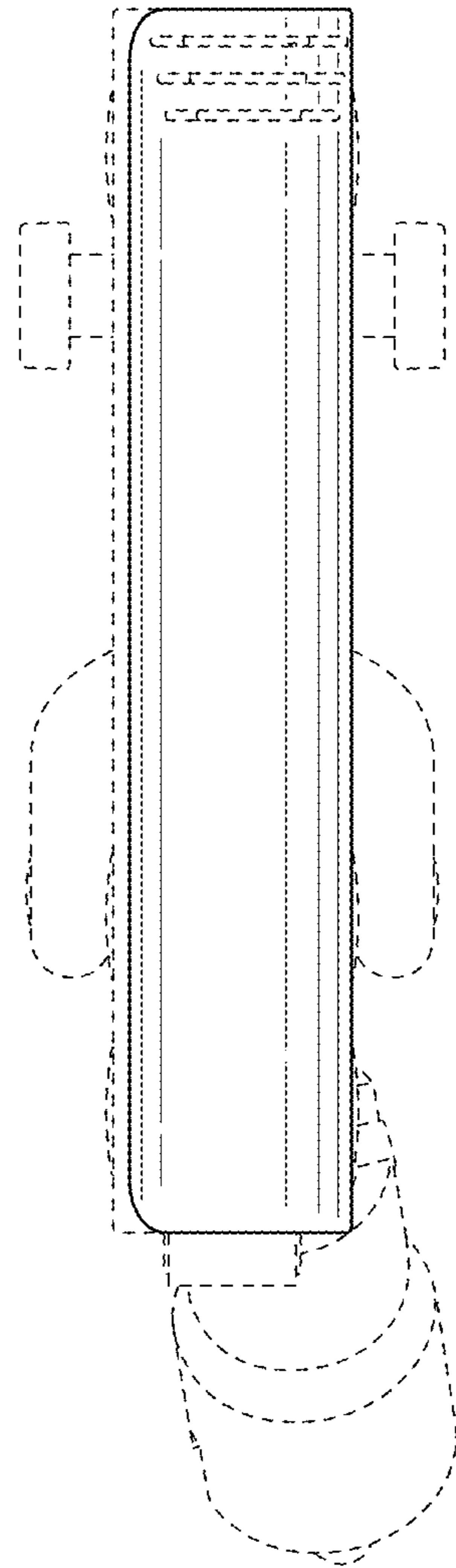


FIG. 4

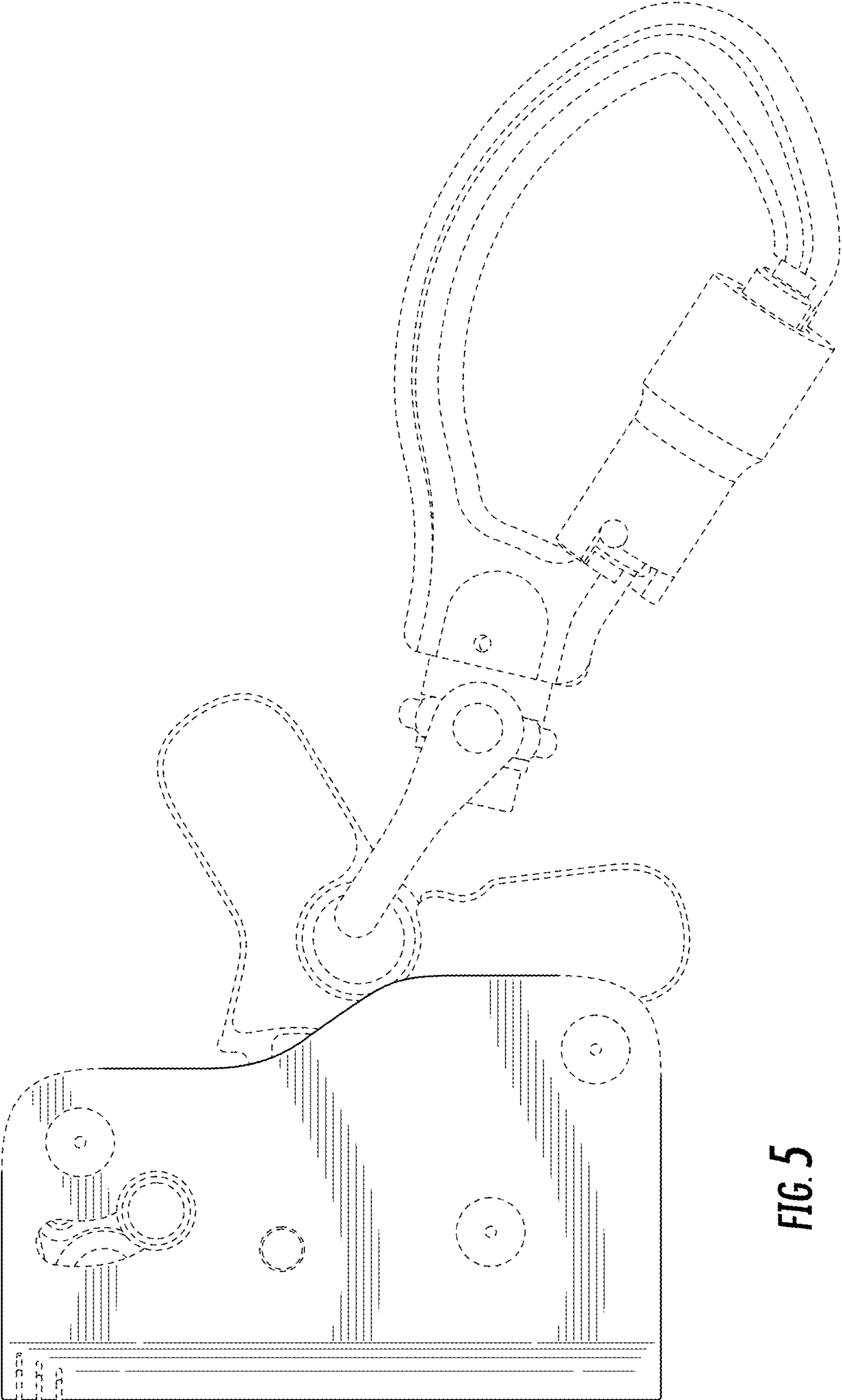


FIG. 5

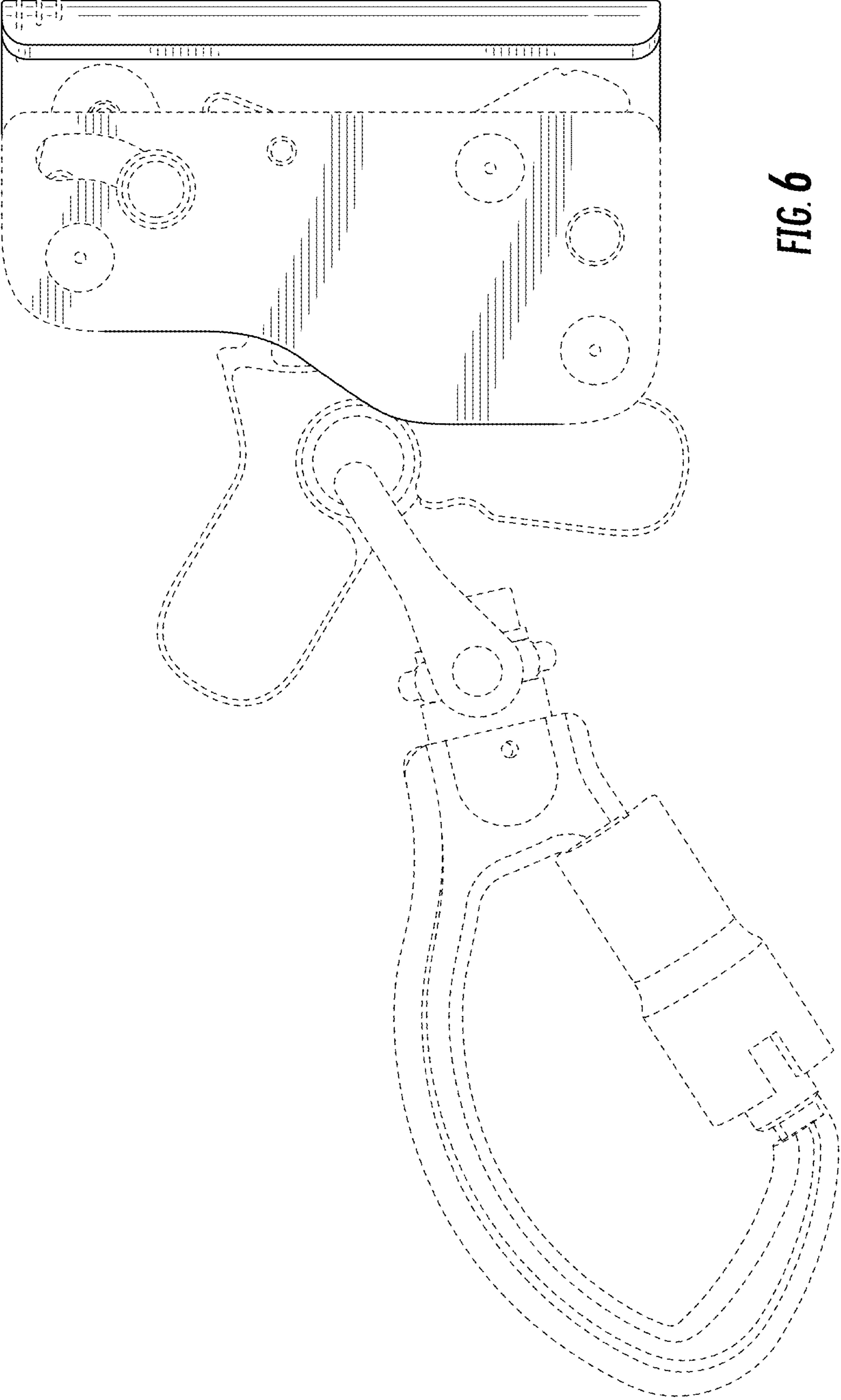


FIG. 6

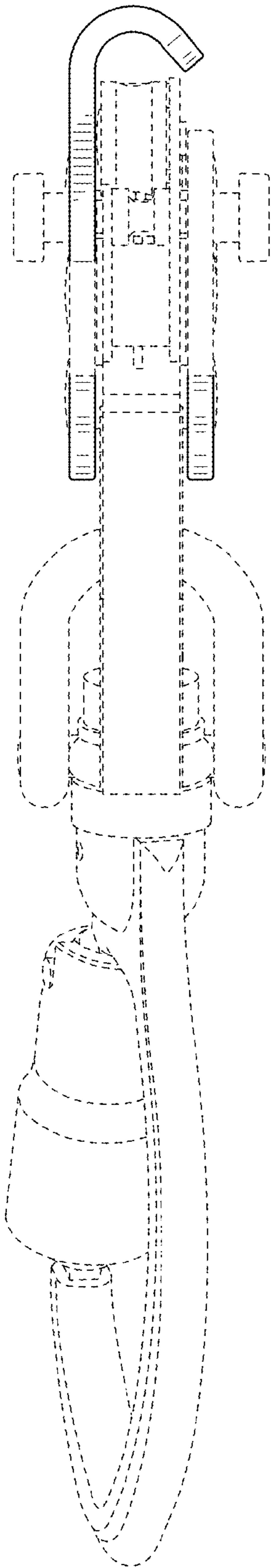


FIG. 7

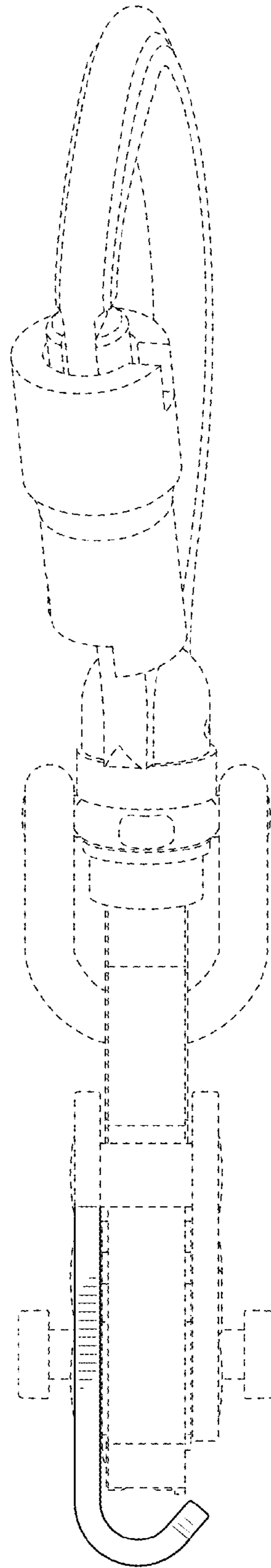


FIG. 8

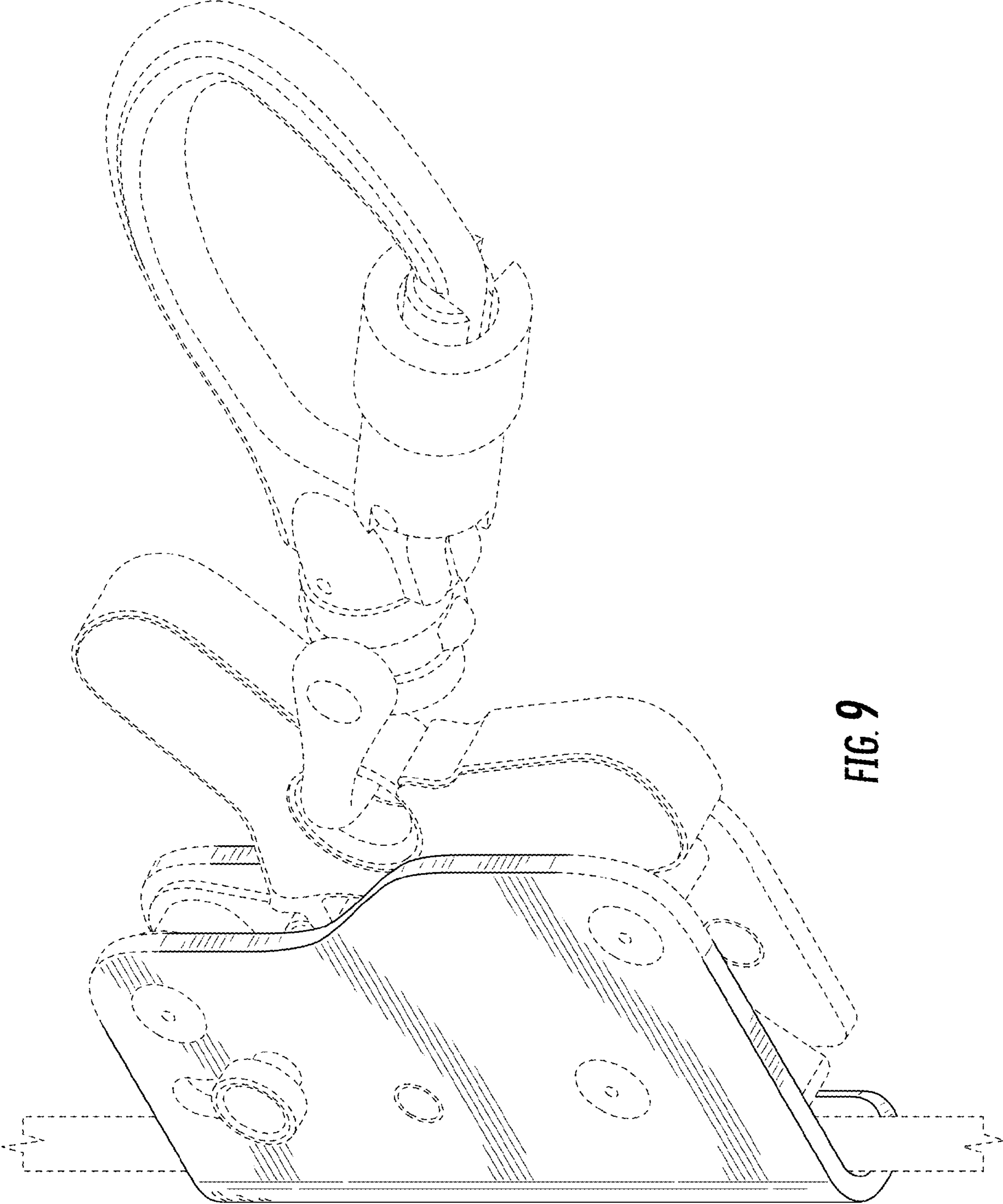


FIG. 9