



US00D963461S

(12) **United States Design Patent**
McArthur

(10) **Patent No.:** **US D963,461 S**

(45) **Date of Patent:** **** Sep. 13, 2022**

(54) **CONSTRUCTION PACKER**

(71) Applicant: **Jacob Wajsman McArthur,**
Dandenong (AU)

(72) Inventor: **Jacob Wajsman McArthur,**
Dandenong (AU)

(**) Term: **15 Years**

(21) Appl. No.: **29/776,386**

(22) Filed: **Mar. 30, 2021**

(30) **Foreign Application Priority Data**

Sep. 30, 2020 (AU) 202015386

(51) **LOC (13) Cl.** **08-08**

(52) **U.S. Cl.**
USPC **D8/349**

(58) **Field of Classification Search**

USPC D15/17, 28, 27; D12/203, 162, 223;
D8/349, 354, 363, 366, 371, 373, 380,
D8/381, 382, 384; D25/137, 133
CPC E04H 17/14; E04H 17/24; E04H 17/00;
E04H 17/10; E04H 17/02; E04C 3/02;
E04C 3/42; E04C 2003/026; E04B
2001/2696; E04B 2001/2644; E04B
2001/405; E04B 1/2612; E04B 1/26;
E04B 1/2608; E04B 1/003; E04B 1/2604;
A01D 75/30; A01D 67/005; A01D
34/661; A01D 34/80; A01B 69/003;
B60D 1/60; B60D 1/065; B60D 1/00;
B60D 1/06; B60D 1/36

See application file for complete search history.

(56) **References Cited**

U.S. PATENT DOCUMENTS

7,429,023 B2 * 9/2008 Morrow E04B 1/003
52/715
D608,183 S * 1/2010 Meyer D8/354

D654,350 S * 2/2012 Preda D8/354
D667,288 S * 9/2012 Preda D8/354
D667,289 S * 9/2012 Preda D8/354
D667,718 S * 9/2012 Preda D8/354
D684,033 S * 6/2013 Preda D8/354
D734,305 S * 7/2015 Wengreen D14/238.1
D754,838 S * 4/2016 Penlesky D23/393
D784,794 S * 4/2017 Bently D8/356
D798,137 S * 9/2017 Locatell D8/384
D814,905 S * 4/2018 Ralph D8/349
D820,665 S * 6/2018 DeDios-Shirley D8/354
D845,113 S * 4/2019 Salter D8/371

(Continued)

Primary Examiner — Mark A Goodwin

(74) *Attorney, Agent, or Firm* — Dorsey & Whitney LLP

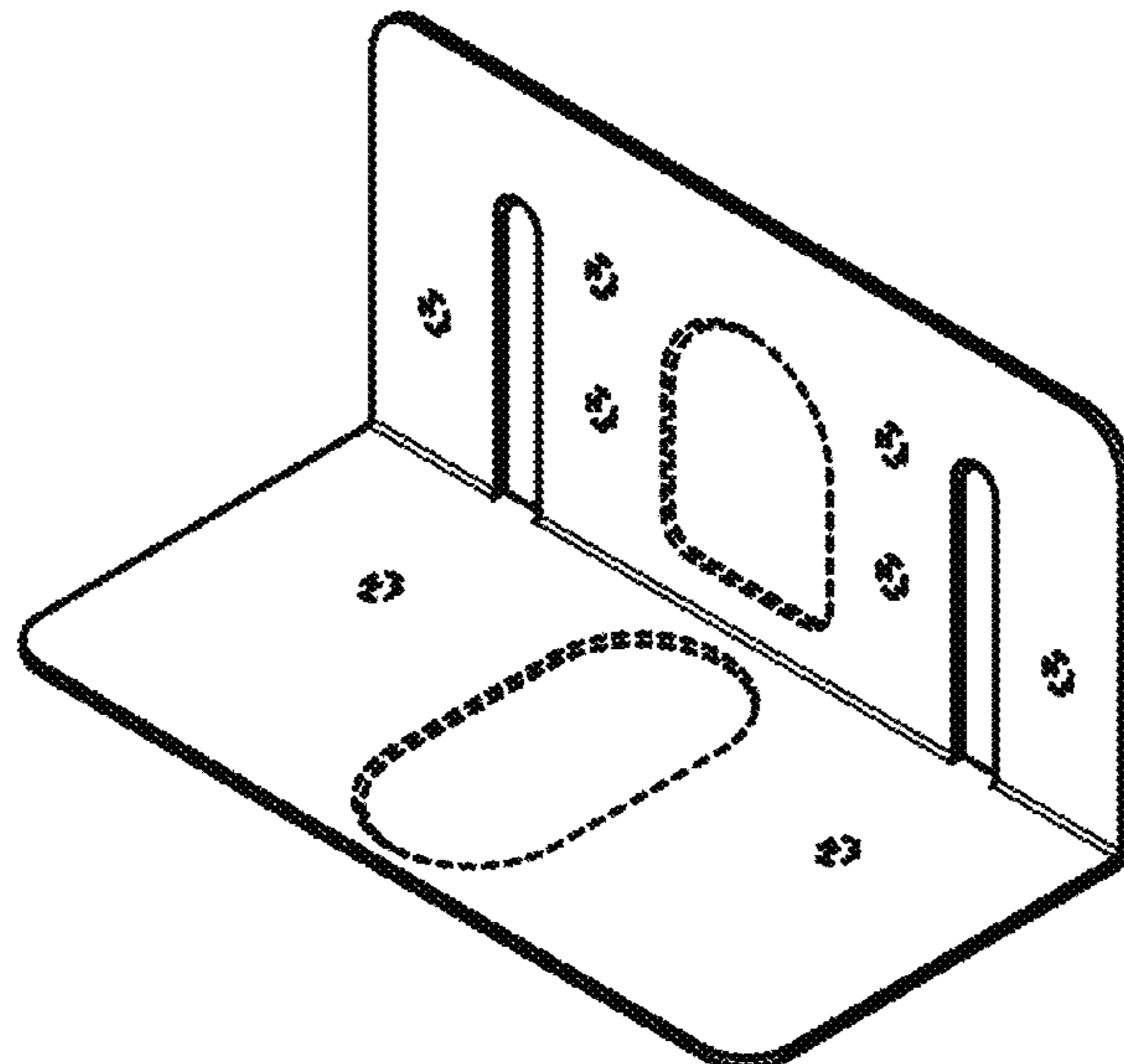
(57) **CLAIM**

The ornamental design for a construction packer, as shown and described.

DESCRIPTION

FIG. 1 shows an upper isometric view of the construction packer;
FIG. 2 shows a lower isometric view of the construction packer of FIG. 1;
FIG. 3 shows a front view of the construction packer of FIG. 1;
FIG. 4 shows a rear view of the construction packer of FIG. 1;
FIG. 5 shows a left side view of the construction packer of FIG. 1;
FIG. 6 shows a right side view of the construction packer of FIG. 1;
FIG. 7 shows a top view of the construction packer of FIG. 1; and,
FIG. 8 shows a bottom view of the construction packer of FIG. 1.
The broken lines in FIGS. 1-8 illustrate portions of the construction packer that form no part of the claimed design.

1 Claim, 4 Drawing Sheets



(56)

References Cited

U.S. PATENT DOCUMENTS

D920,082 S * 5/2021 Kellerman D8/354
D924,042 S * 7/2021 Shaffer D8/354

* cited by examiner

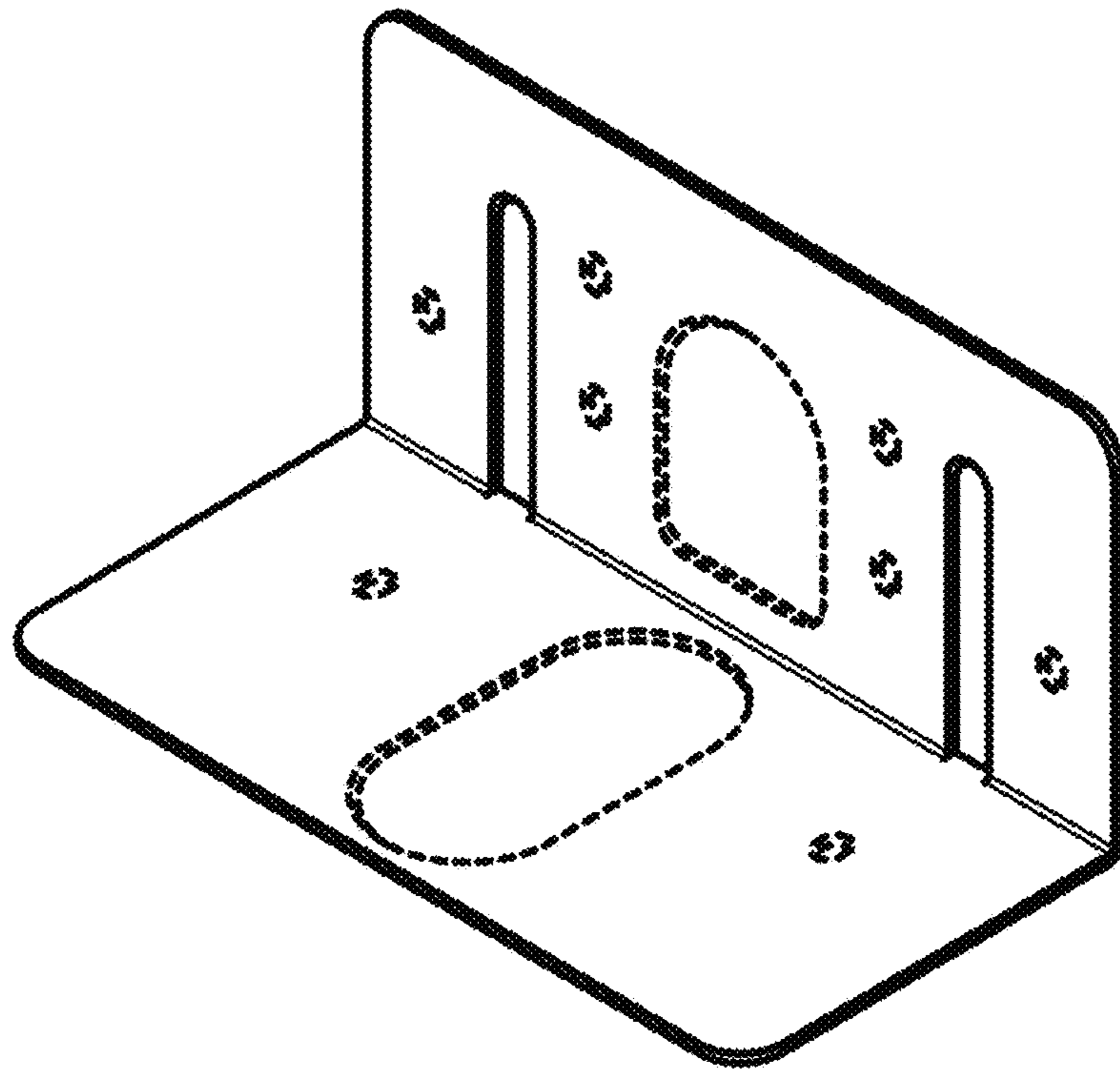


FIGURE 1

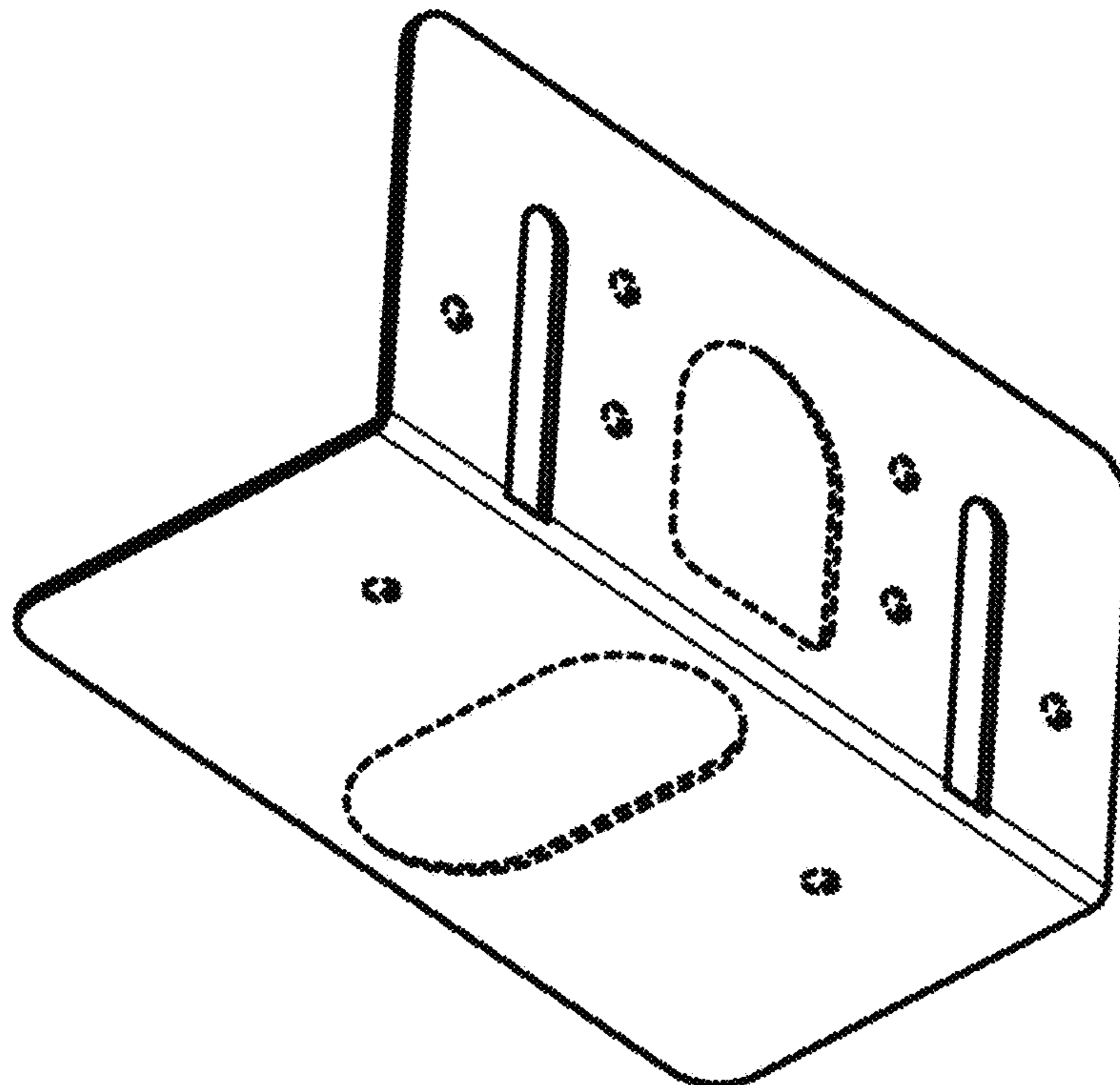


FIGURE 2

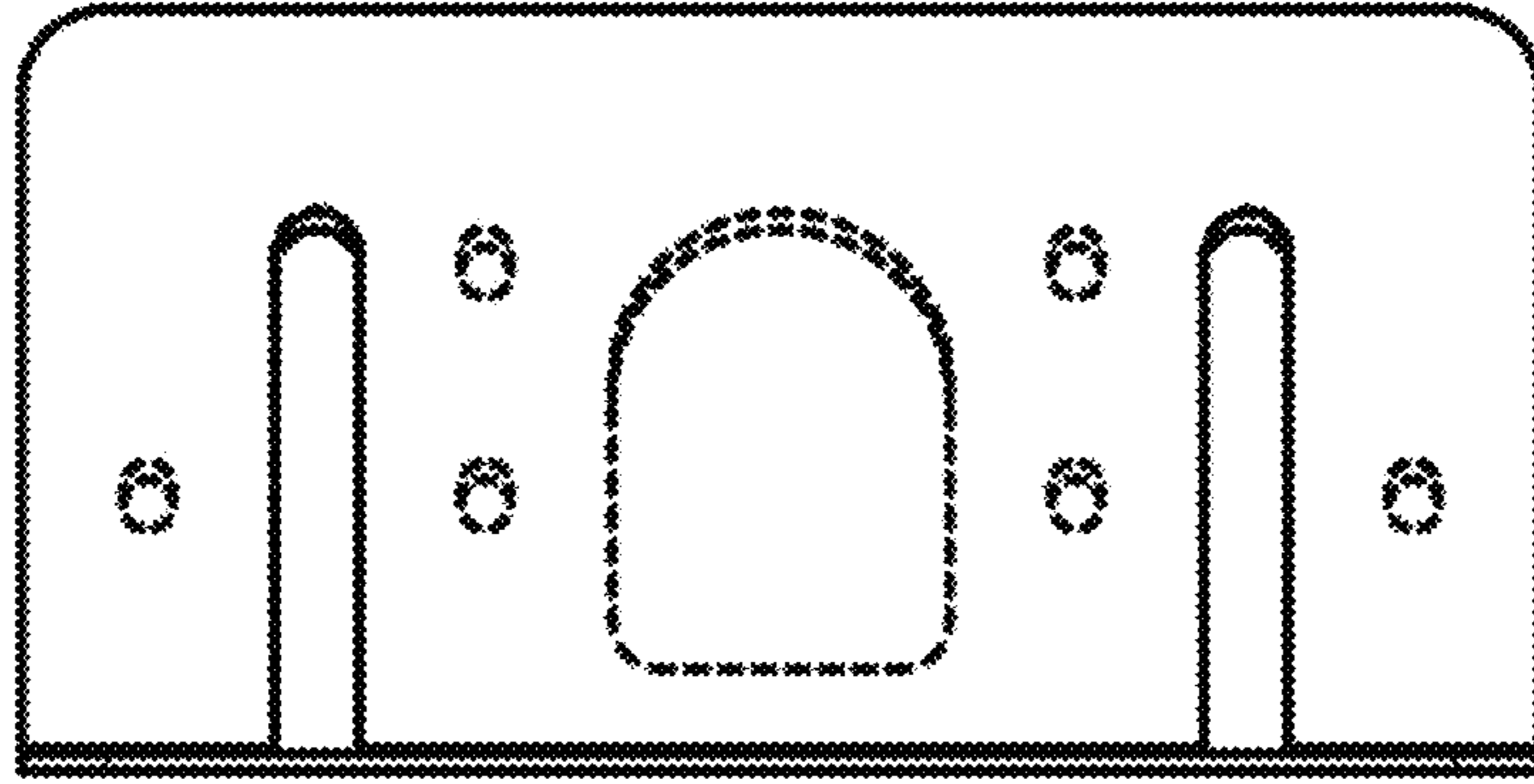


FIGURE 3

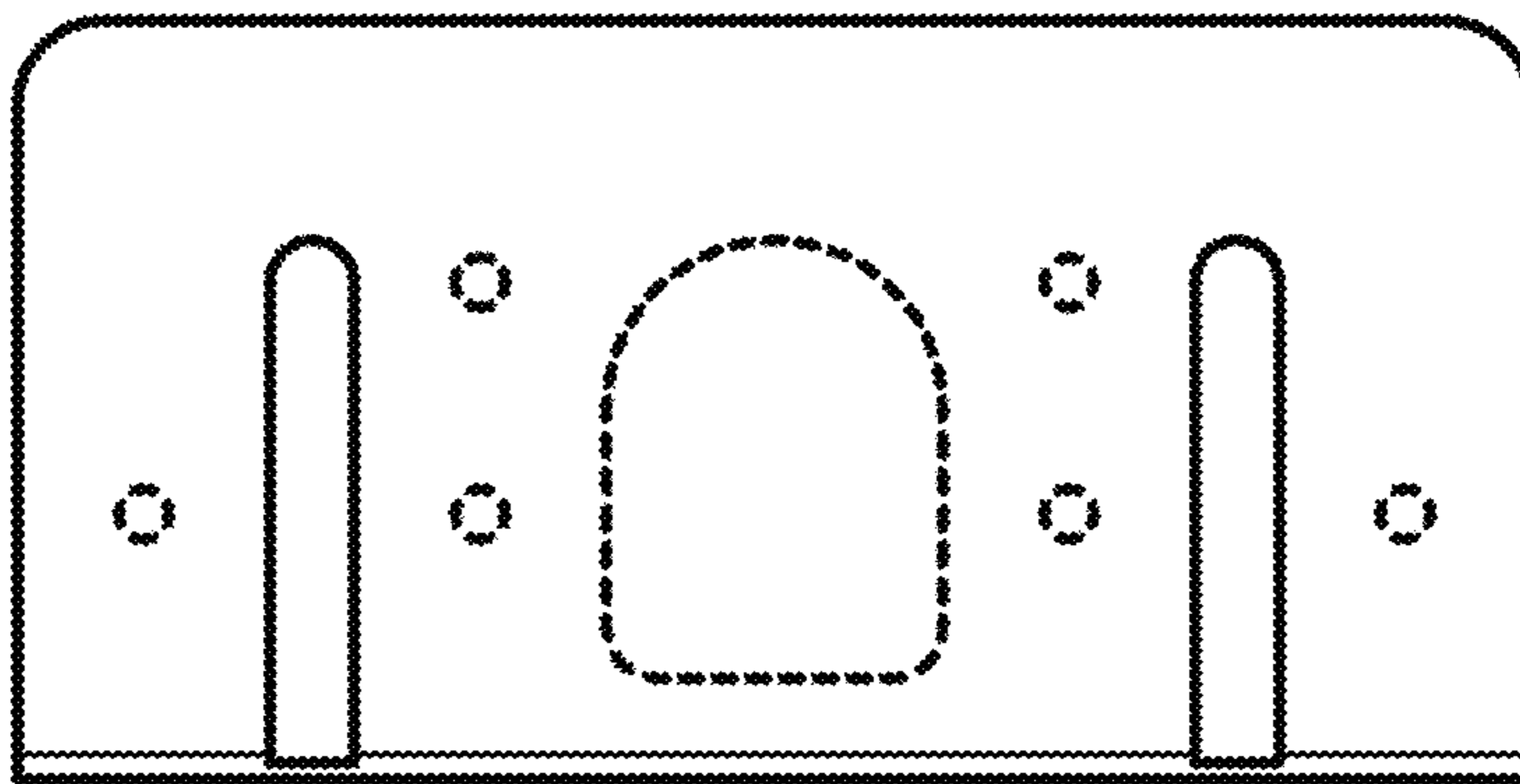


FIGURE 4

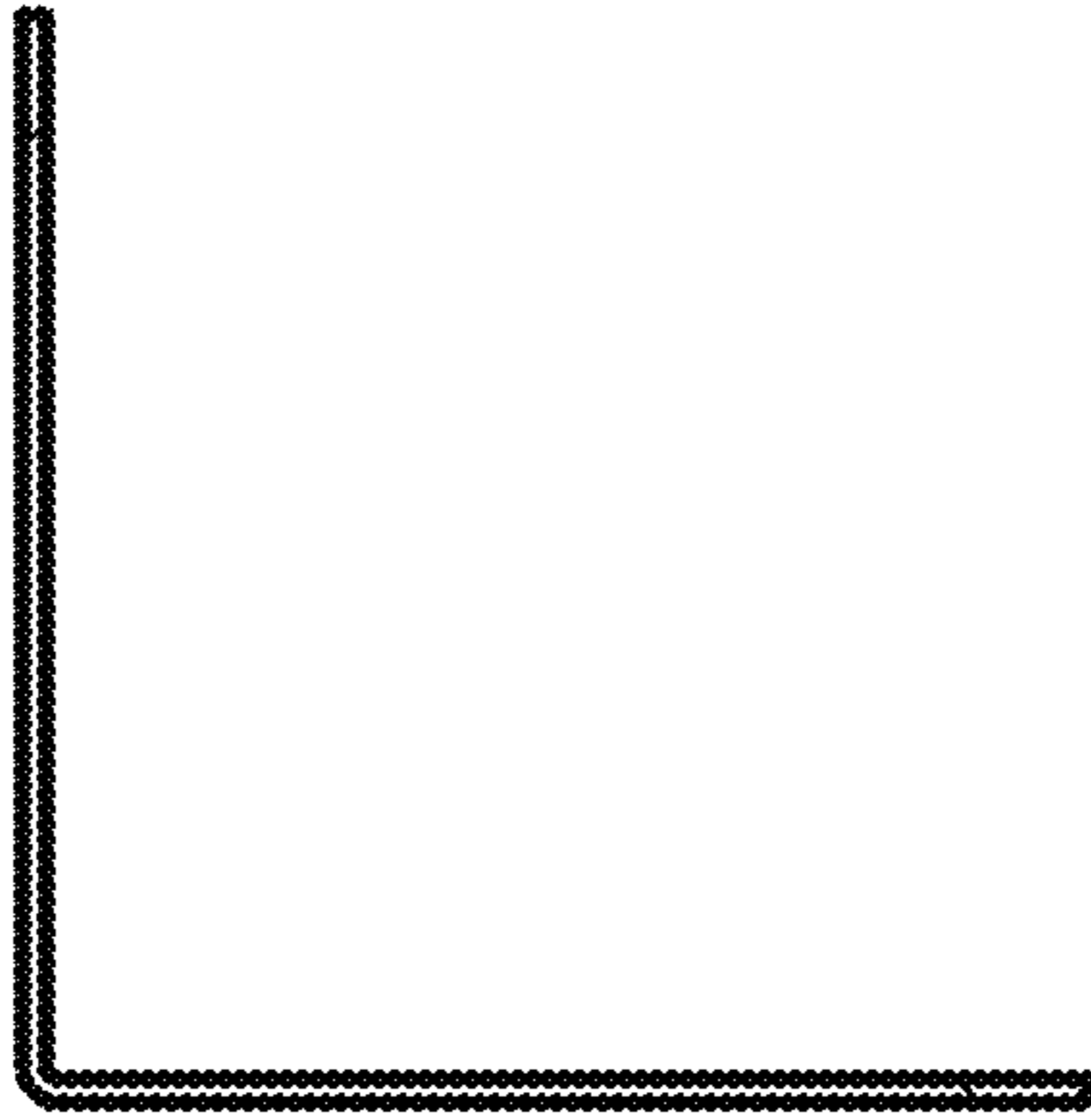


FIGURE 5

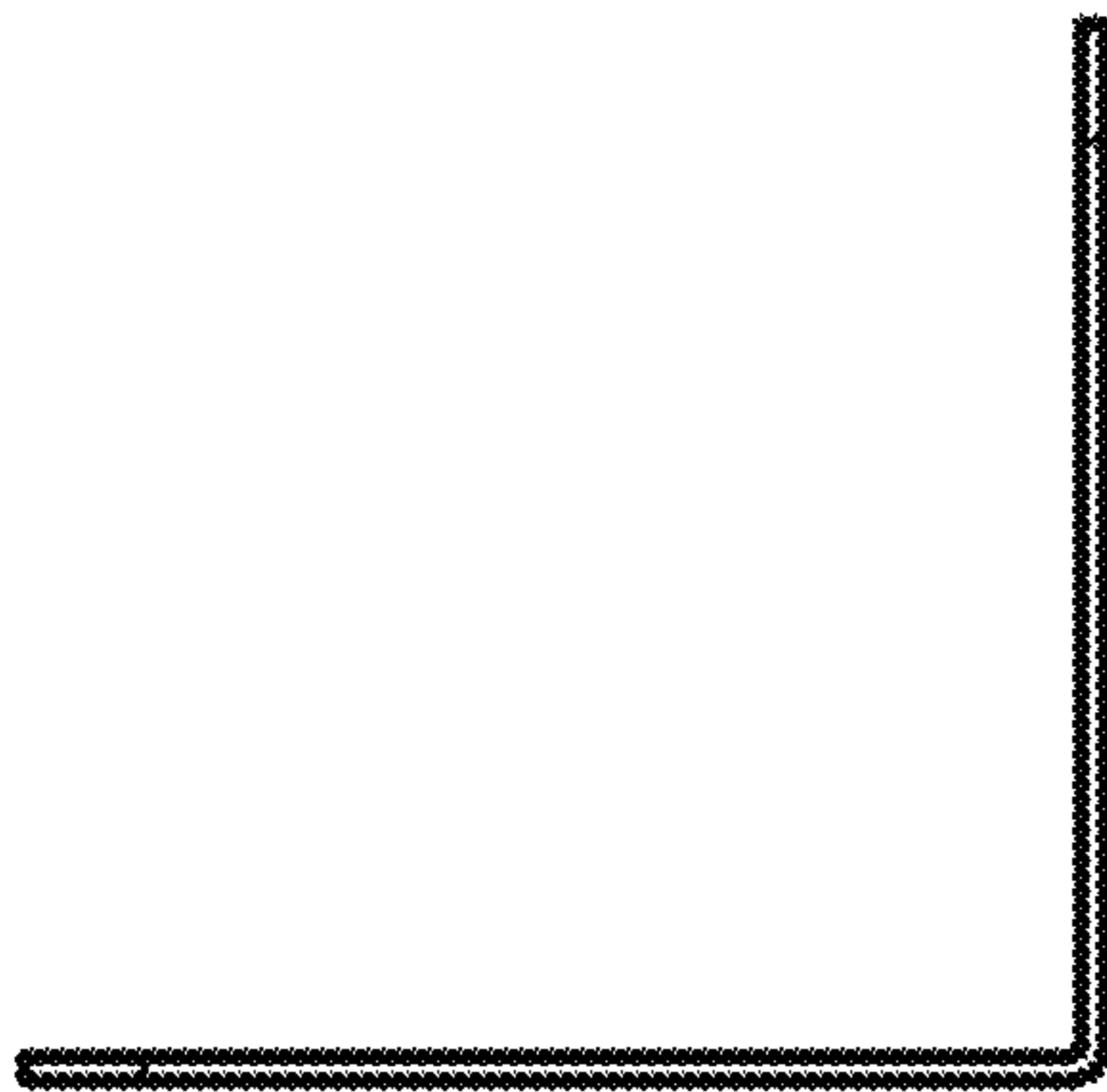


FIGURE 6

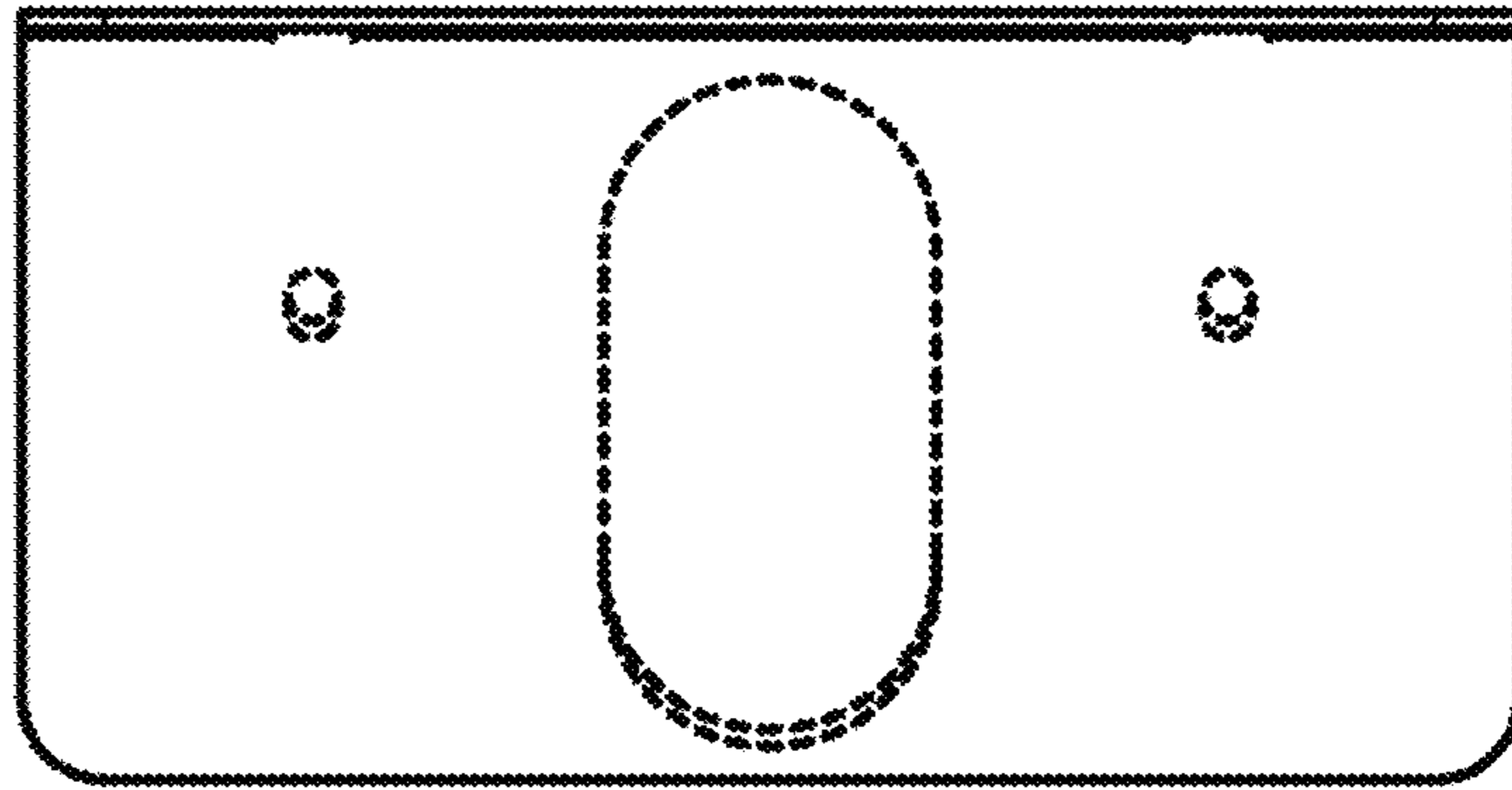


FIGURE 7

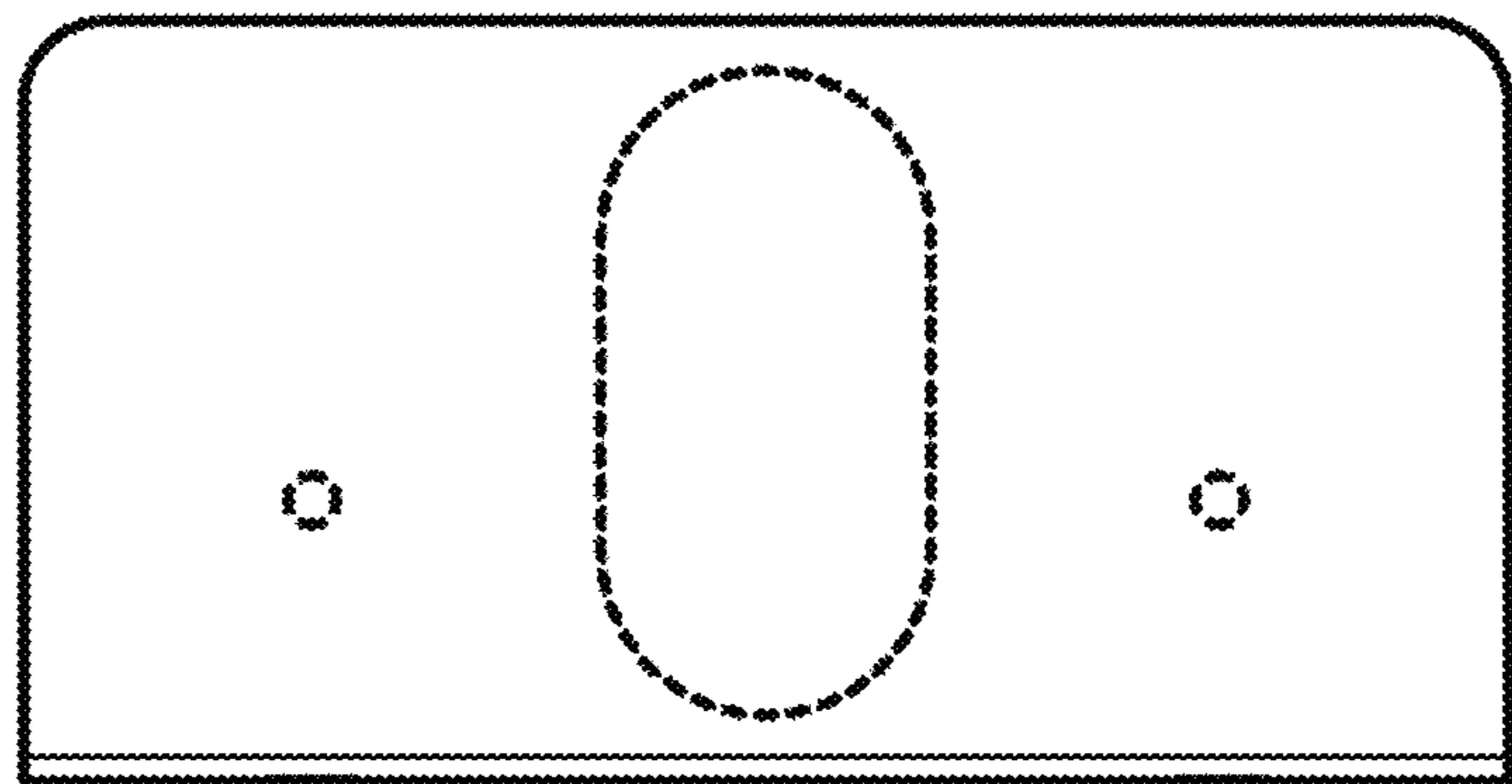


FIGURE 8