



US00D963460S

(12) **United States Design Patent** (10) **Patent No.:** **US D963,460 S**
Chapman et al. (45) **Date of Patent:** **** Sep. 13, 2022**

(54) **URINE SHIELD CLIP**
(71) Applicants: **Kenneth Chapman**, Birmingham, AL (US); **Kecia Chapman**, Birmingham, AL (US)
(72) Inventors: **Kenneth Chapman**, Birmingham, AL (US); **Kecia Chapman**, Birmingham, AL (US)
(**) Term: **15 Years**
(21) Appl. No.: **29/754,248**
(22) Filed: **Oct. 8, 2020**
(51) **LOC (13) Cl.** **08-08**
(52) **U.S. Cl.**
USPC **D8/349**
(58) **Field of Classification Search**
USPC D8/349, 352, 382, 72, 394, 395, 396, D8/398, 355; D11/1, 95, 200, 215, 214; D16/242, 245, 73; D25/119, 125, 715, D25/114, 47.1, 48.7, 60
CPC . A47B 47/021; A47B 96/021; A47B 47/0083; A47B 57/48; A47B 47/027; A47B 2230/07; A47B 57/50; F16B 12/32
See application file for complete search history.

(56) **References Cited**
U.S. PATENT DOCUMENTS
2,407,005 A * 9/1946 Joeb E03D 9/00 4/300.3
5,335,379 A * 8/1994 Waldo A47K 17/00 4/231
7,225,481 B2 * 6/2007 Culmer E03D 9/00 4/300.3
7,314,144 B2 * 1/2008 Stitchick A47B 96/061 211/90.03
D616,946 S * 6/2010 Garfinkle D20/43
D714,626 S * 10/2014 Trifari, Jr. D8/349
8,887,320 B2 * 11/2014 DeZarn A47K 13/08 4/300.3
9,109,368 B2 * 8/2015 Mackenzie E04F 13/0803

9,955,830 B1 * 5/2018 Harris A47K 13/24
10,098,458 B2 * 10/2018 Lindmark B65G 1/02
D949,112 S * 4/2022 Wedding D8/367
D953,842 S * 6/2022 Bilge D25/124
2001/0044992 A1 * 11/2001 Jahrling A47B 88/43 24/563
2010/0263115 A1 * 10/2010 Thom E03D 9/00 4/300.3

FOREIGN PATENT DOCUMENTS

CN 307316155 * 5/2022

OTHER PUBLICATIONS

UStop Pee Stopper (Patent Pending) Urine Deflector—Pee Guard—Stop Wee Spills, Google.com, [online], [site visited Jun. 11, 2022], Available from internet URL: https://www.ebay.com/itm/283864799553?chn=ps&var=585384975655&_trkparms (Year: NA).*

* cited by examiner

Primary Examiner — Omeed Agilee
Assistant Examiner — Rozita Mozaffarian

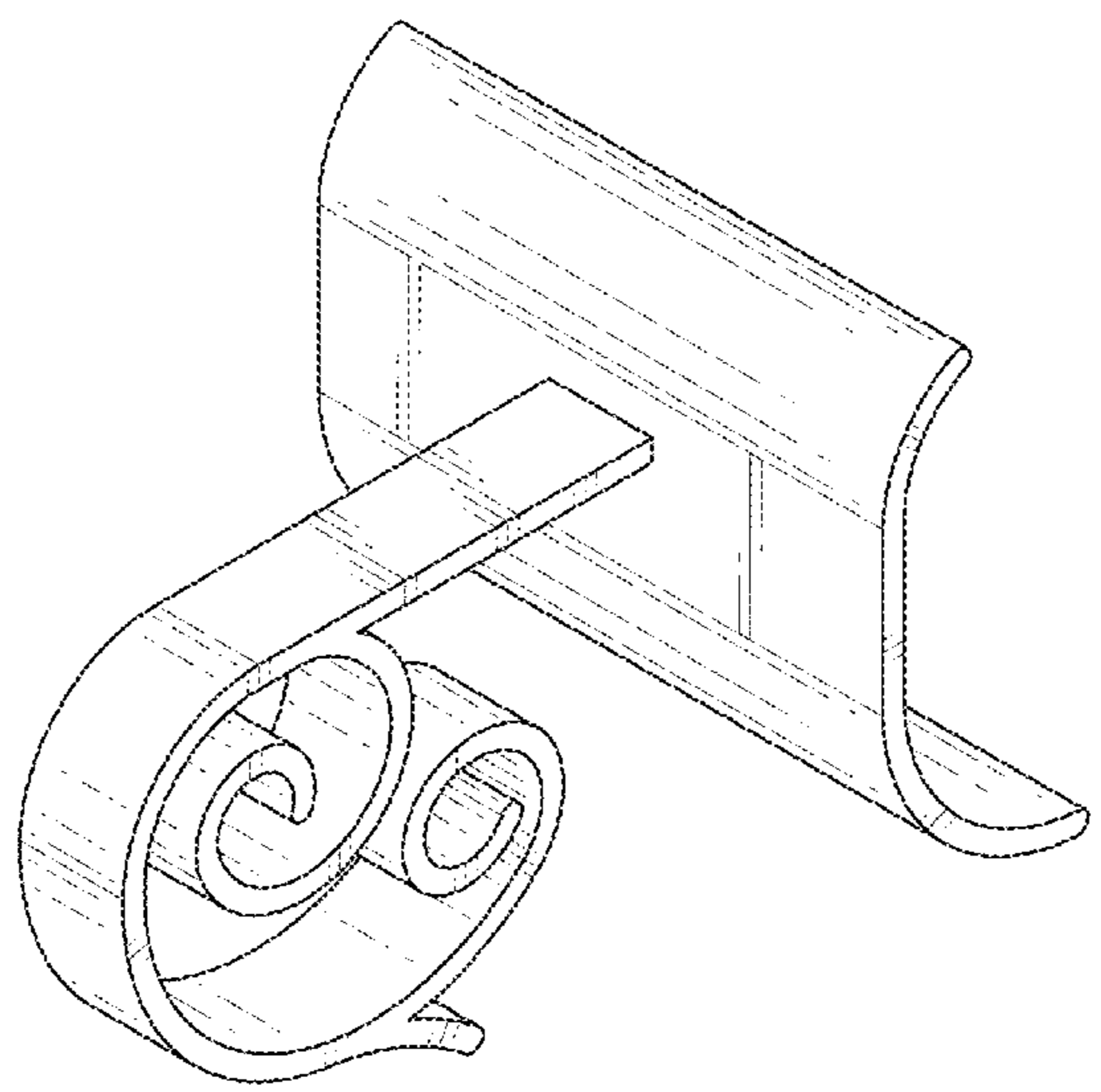
(57) **CLAIM**

The ornamental design for a urine shield clip, as shown and described.

DESCRIPTION

FIG. 1 is a front view of a urine shield clip showing my new design;
FIG. 2 is a rear view of the urine shield clip;
FIG. 3 is a right side view of the urine shield clip;
FIG. 4 is a left side view of the urine shield clip;
FIG. 5 is a top view of the urine shield clip;
FIG. 6 is a bottom view of the urine shield clip; and,
FIG. 7 is a top front side perspective view of the urine shield clip.

1 Claim, 7 Drawing Sheets



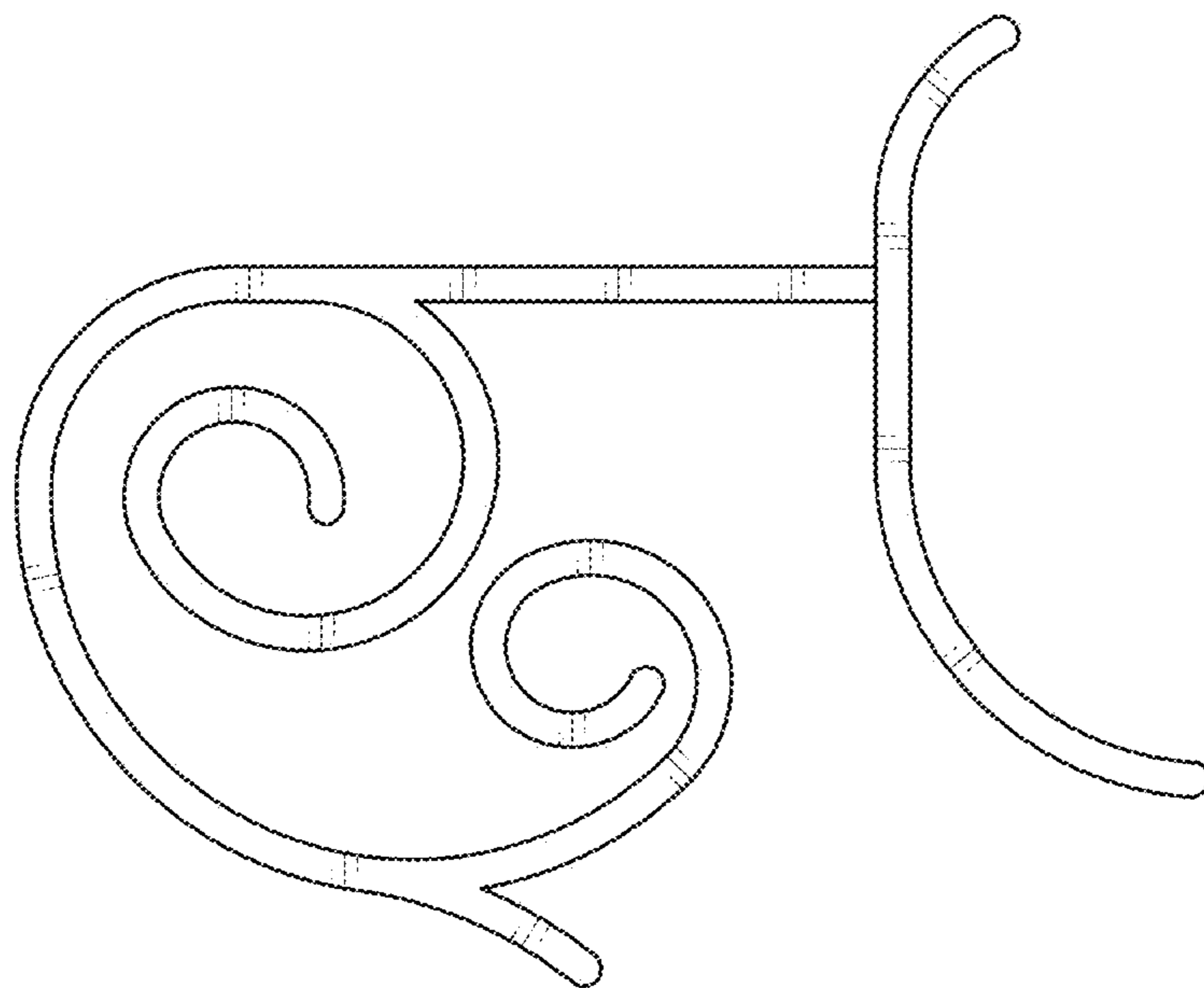


FIG. 1

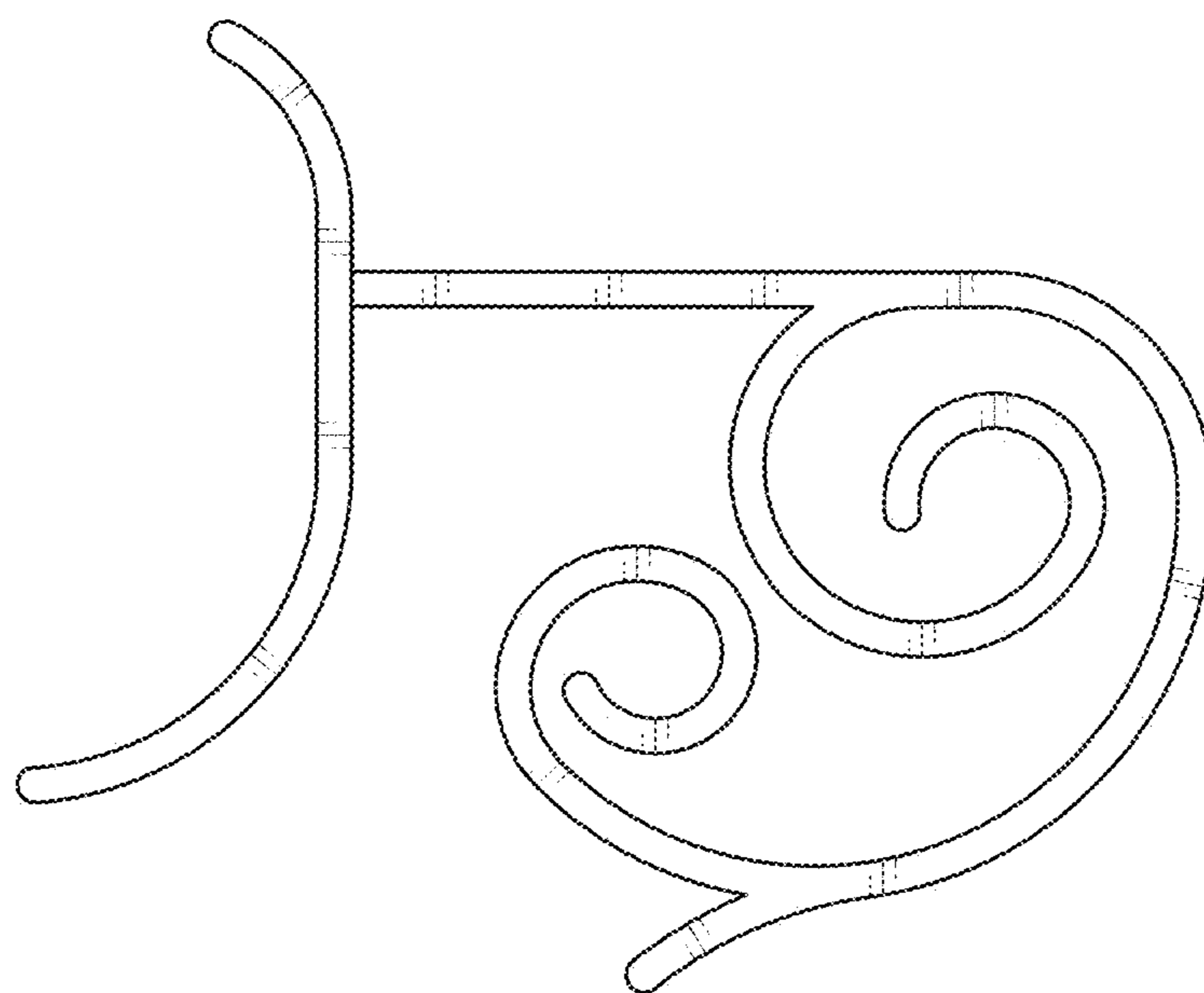


FIG. 2

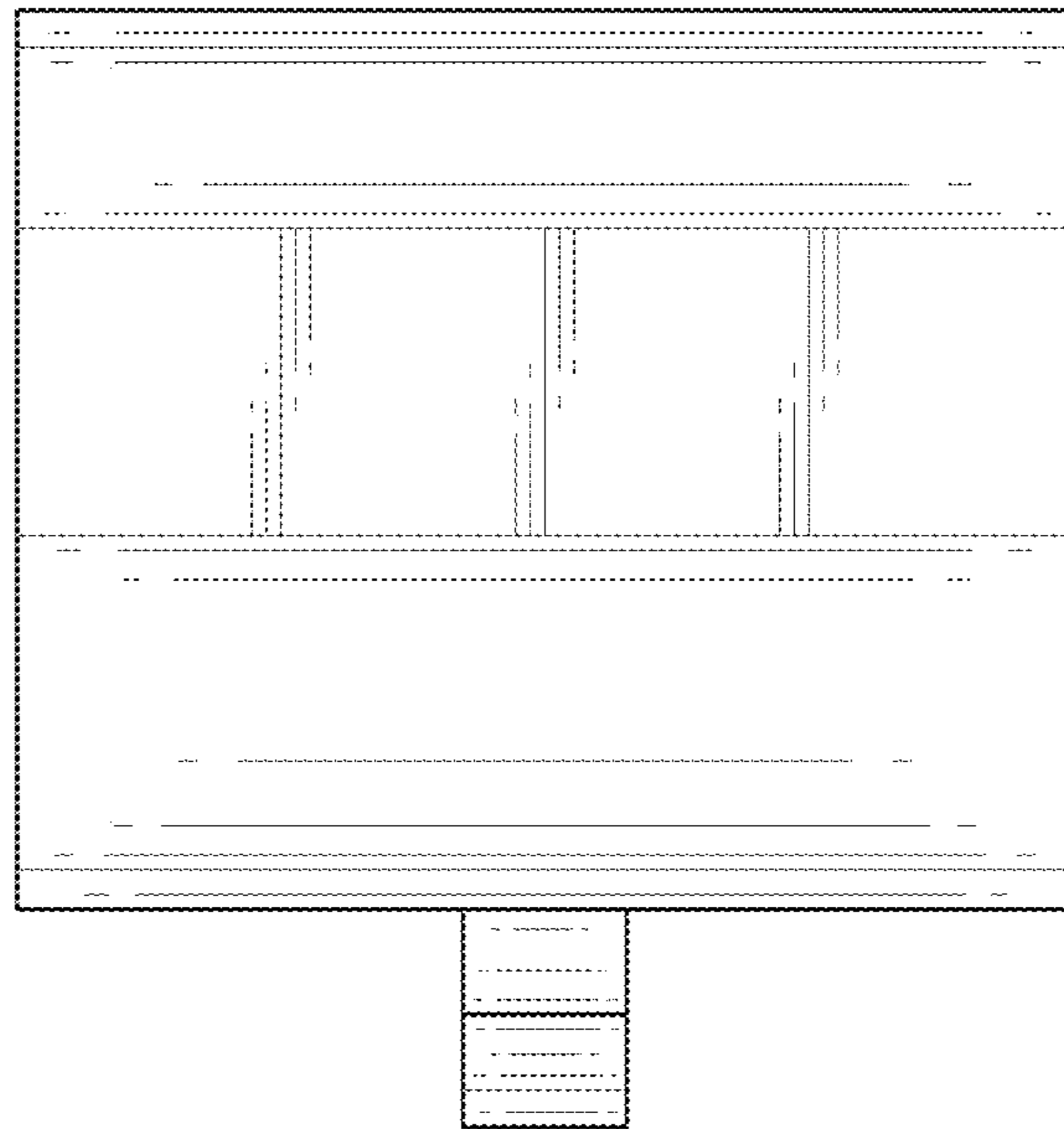


FIG. 3

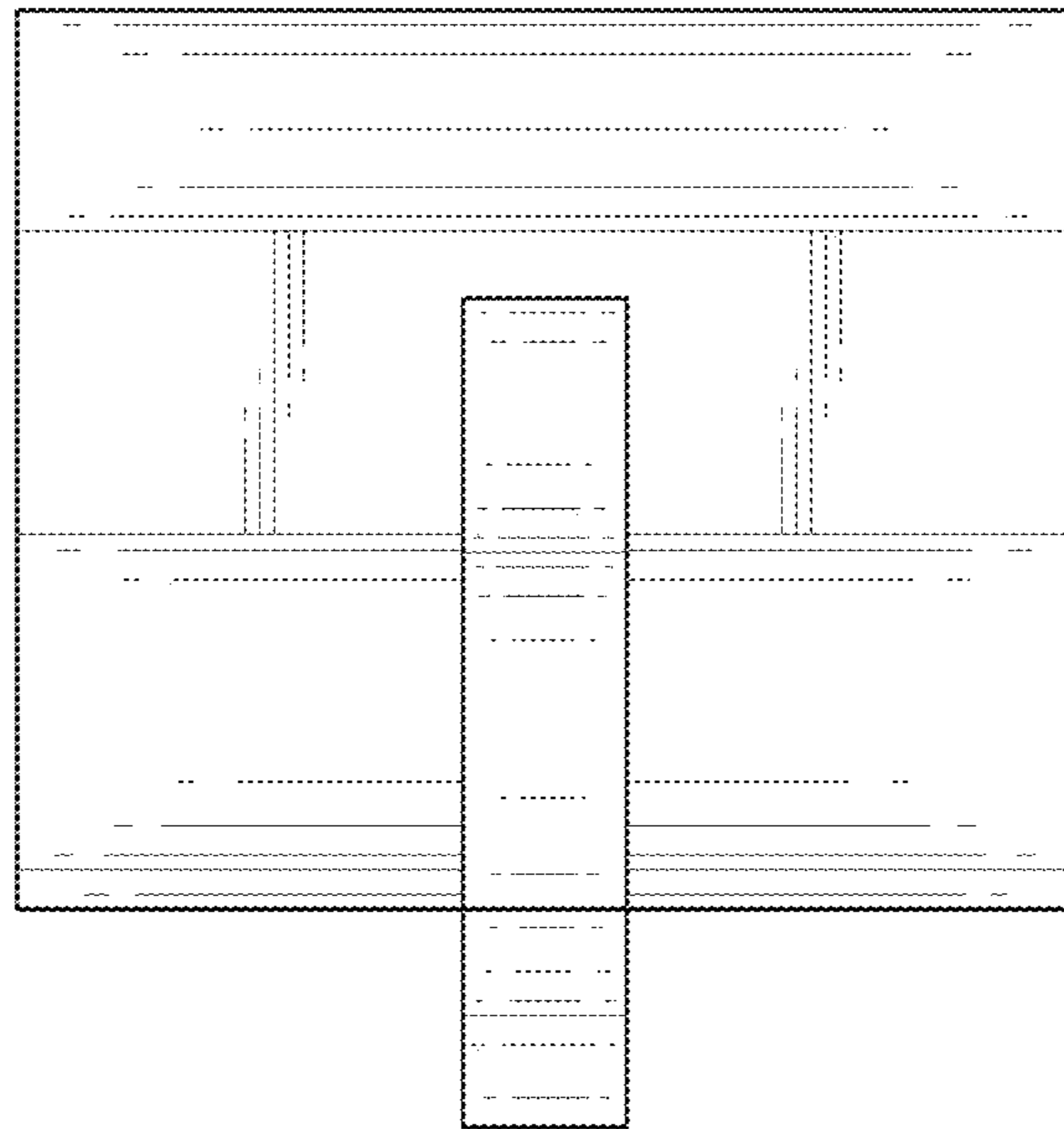


FIG. 4

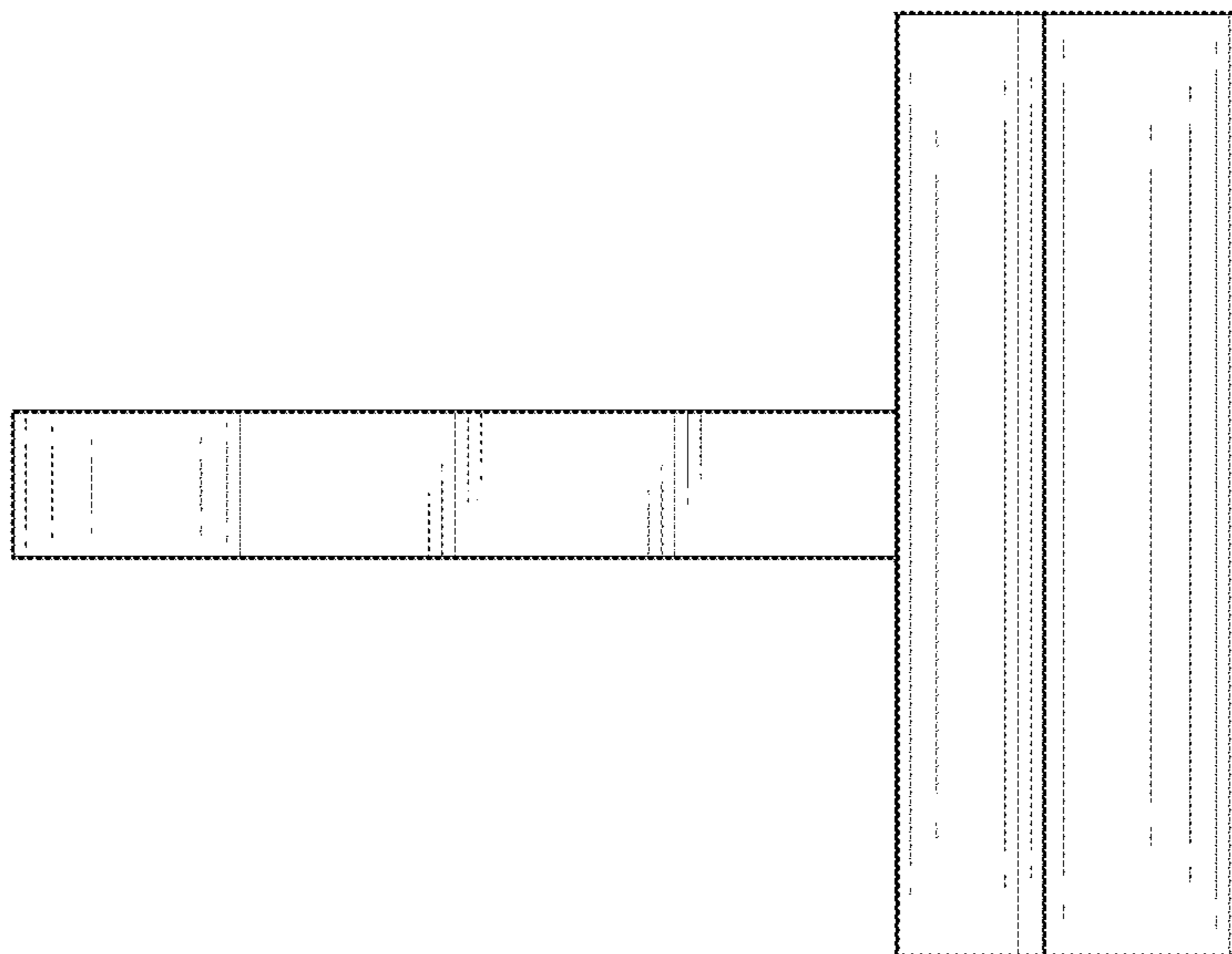


FIG. 5

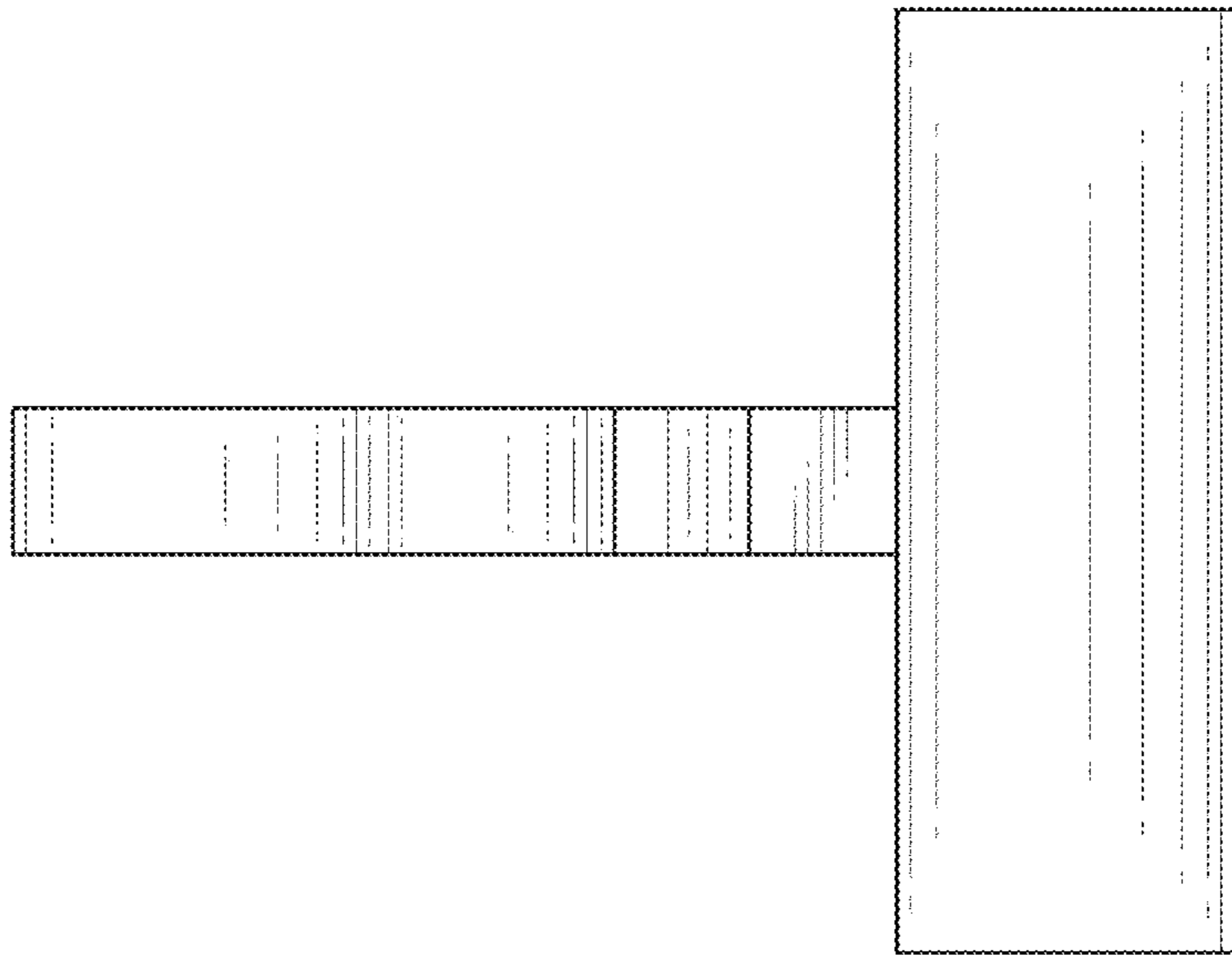


FIG. 6

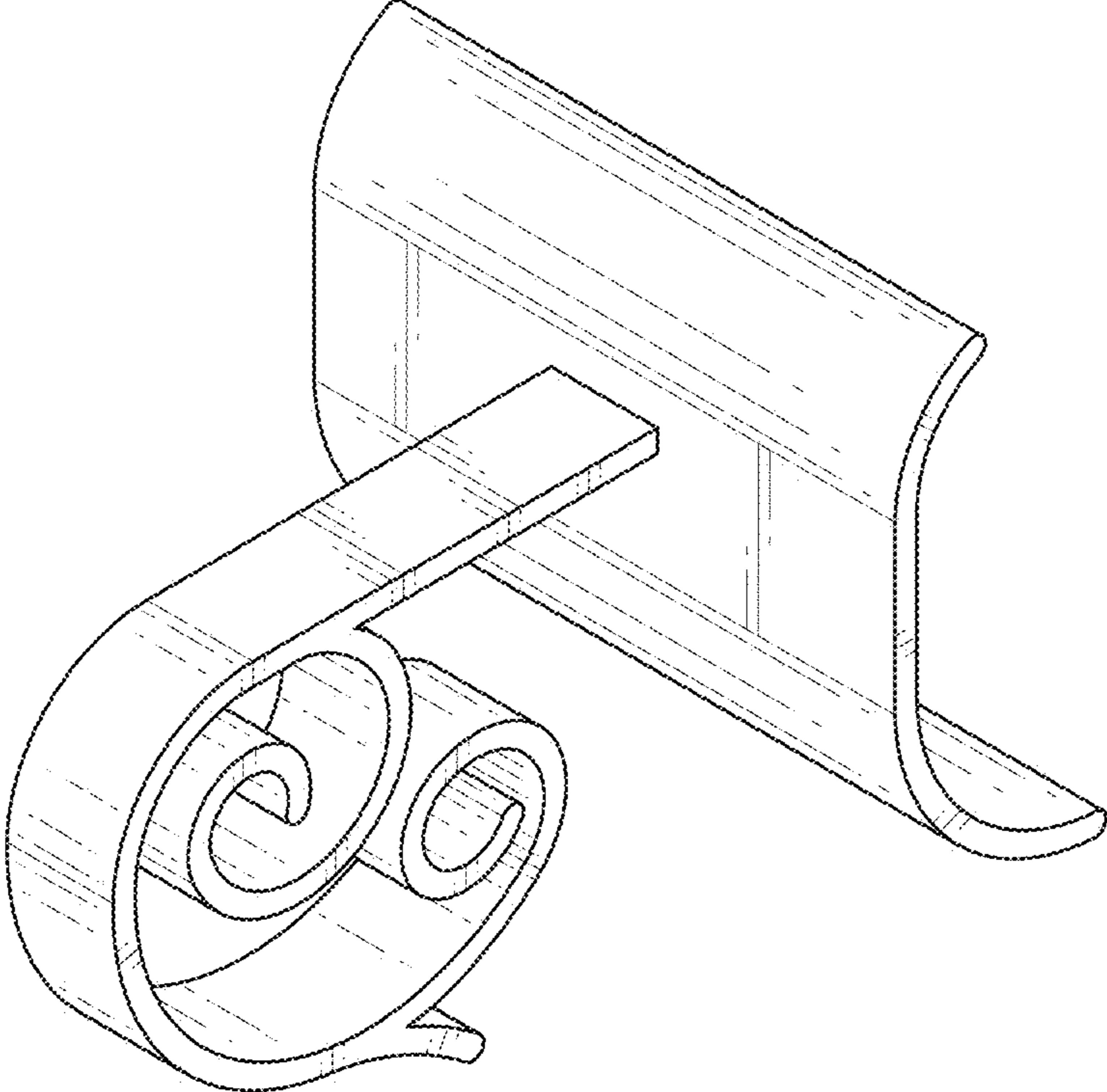


FIG. 7