



US00D963455S

(12) **United States Design Patent** (10) **Patent No.:** **US D963,455 S**  
**Lan** (45) **Date of Patent:** **\*\* Sep. 13, 2022**

(54) **HAMMER**  
(71) Applicant: **Xiamen BeiJiaXing Trading Co., Ltd.,**  
Xiamen (CN)  
(72) Inventor: **Hanglong Lan,** Xiamen (CN)  
(73) Assignee: **Xiamen BeiJiaXing Trading Co., Ltd.,**  
Xiamen (CN)  
(\*\*) Term: **15 Years**  
(21) Appl. No.: **29/777,160**  
(22) Filed: **Apr. 2, 2021**

D620,337 S \* 7/2010 Nuttall ..... D8/81  
D653,095 S \* 1/2012 Onello ..... B25D 1/02  
D8/77  
D687,690 S \* 8/2013 Chen ..... D8/107  
D752,939 S \* 4/2016 Goldy ..... D8/81  
D779,906 S \* 2/2017 Kraljic ..... D8/77  
D846,366 S \* 4/2019 Kraljic ..... D8/77  
D888,525 S \* 6/2020 Montoli ..... B60C 29/00  
D8/77  
D904,606 S \* 12/2020 Gloess ..... B25D 1/14  
D24/133  
D929,840 S \* 9/2021 Chen ..... B25D 1/02  
D8/77  
2004/0165375 A1 \* 8/2004 Kirchner ..... B25D 1/02  
362/119  
2006/0112789 A1 \* 6/2006 Hopper ..... B25D 1/14  
81/22

(30) **Foreign Application Priority Data**  
Oct. 16, 2020 (CN) ..... 202030616633.1  
(51) **LOC (13) Cl.** ..... **08-02**  
(52) **U.S. Cl.**  
USPC ..... **D8/75; D8/77**  
(58) **Field of Classification Search**  
USPC ..... D8/75, 76, 77, 78, 79, 80, 81, 105, 107  
CPC ... B25D 1/00; B25D 1/02; B25D 1/04; B25D  
1/045; B25D 1/06; B25D 1/10; B25D  
1/12; B25G 1/102  
See application file for complete search history.

\* cited by examiner

*Primary Examiner* — Philip S Hyder  
(74) *Attorney, Agent, or Firm* — ScienBiziP, P.C.

(56) **References Cited**  
U.S. PATENT DOCUMENTS  
3,896,864 A \* 7/1975 Green ..... B60C 29/00  
81/19  
D283,344 S \* 4/1986 Leopoldi ..... B25G 1/01  
D8/77  
5,960,677 A \* 10/1999 Carmien ..... B25D 1/12  
81/22  
6,467,376 B1 \* 10/2002 Wu ..... B25G 1/01  
81/22  
D520,568 S \* 5/2006 DeBoer ..... D8/81  
7,291,116 B2 \* 11/2007 Kirchner ..... B25D 1/02  
600/553

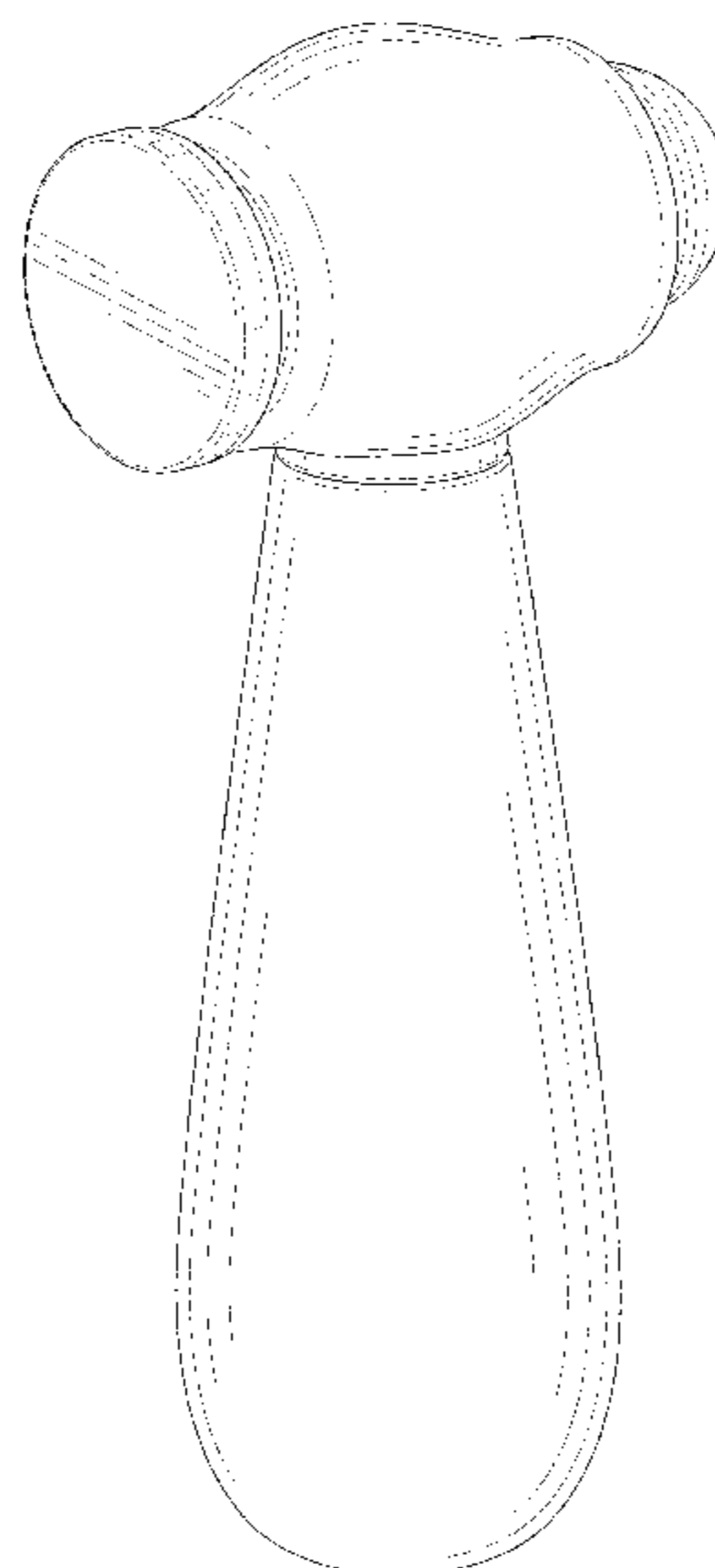
(57) **CLAIM**

The ornamental design for a hammer, as shown and described.

**DESCRIPTION**

FIG. 1 is a front, left, and top perspective view of a hammer, showing my design.  
FIG. 2 is a front elevation view thereof.  
FIG. 3 is a rear elevation view thereof.  
FIG. 4 is a left side elevation view thereof.  
FIG. 5 is a right side elevation view thereof.  
FIG. 6 is a top plan view thereof.  
FIG. 7 is a bottom plan view thereof; and,  
FIG. 8 is an exploded view thereof.  
The broken lines shown in the drawings are included for the purpose of illustrating portions of the hammer that form no part of the claimed design.

**1 Claim, 8 Drawing Sheets**



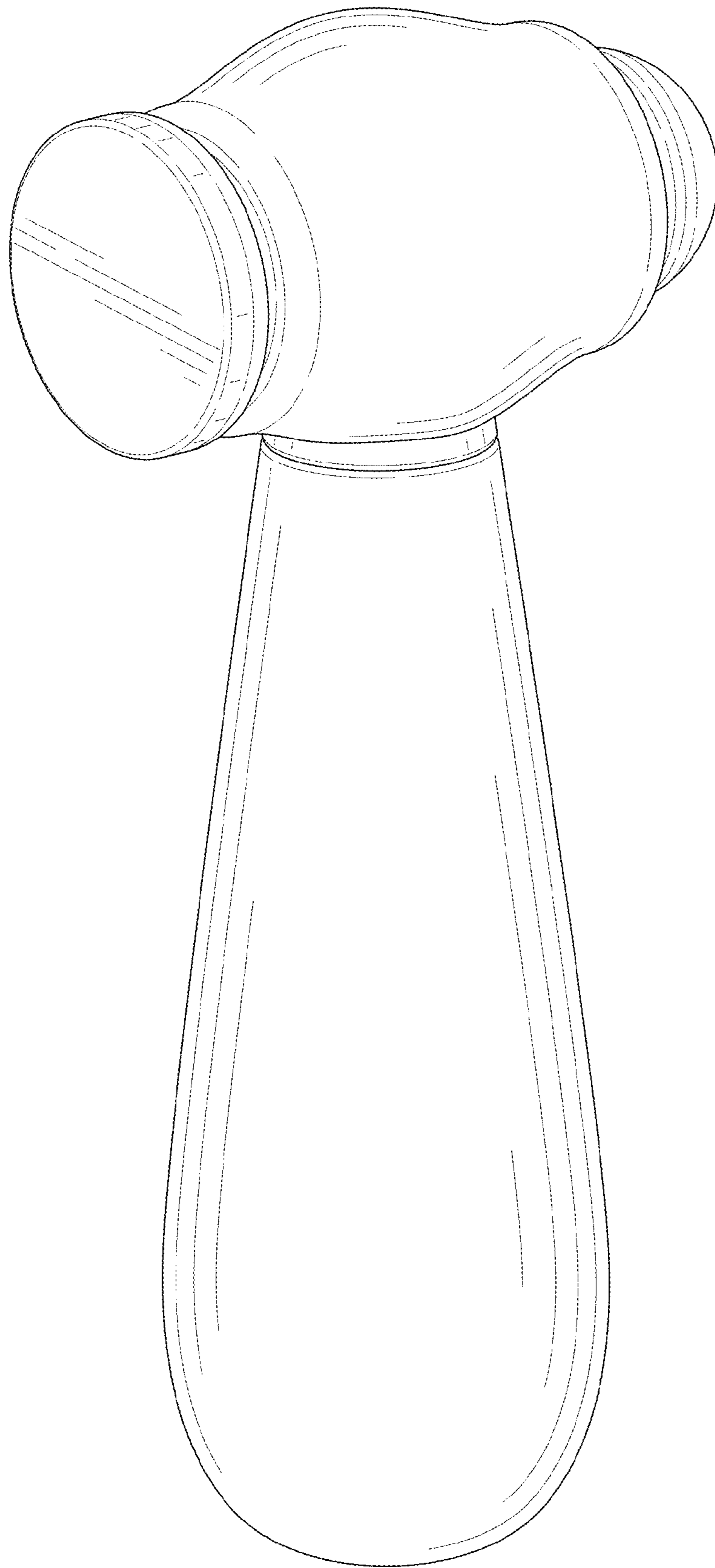


FIG. 1

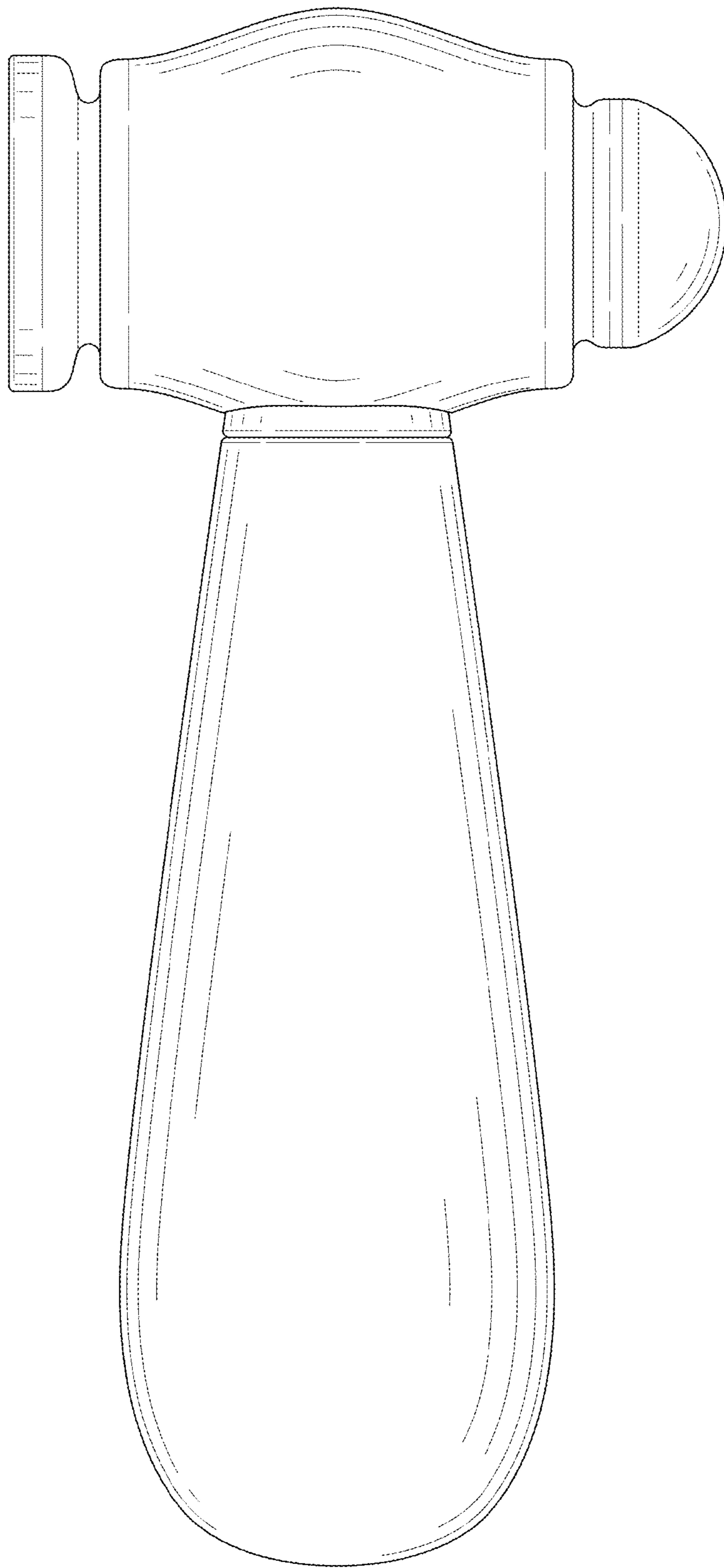


FIG. 2

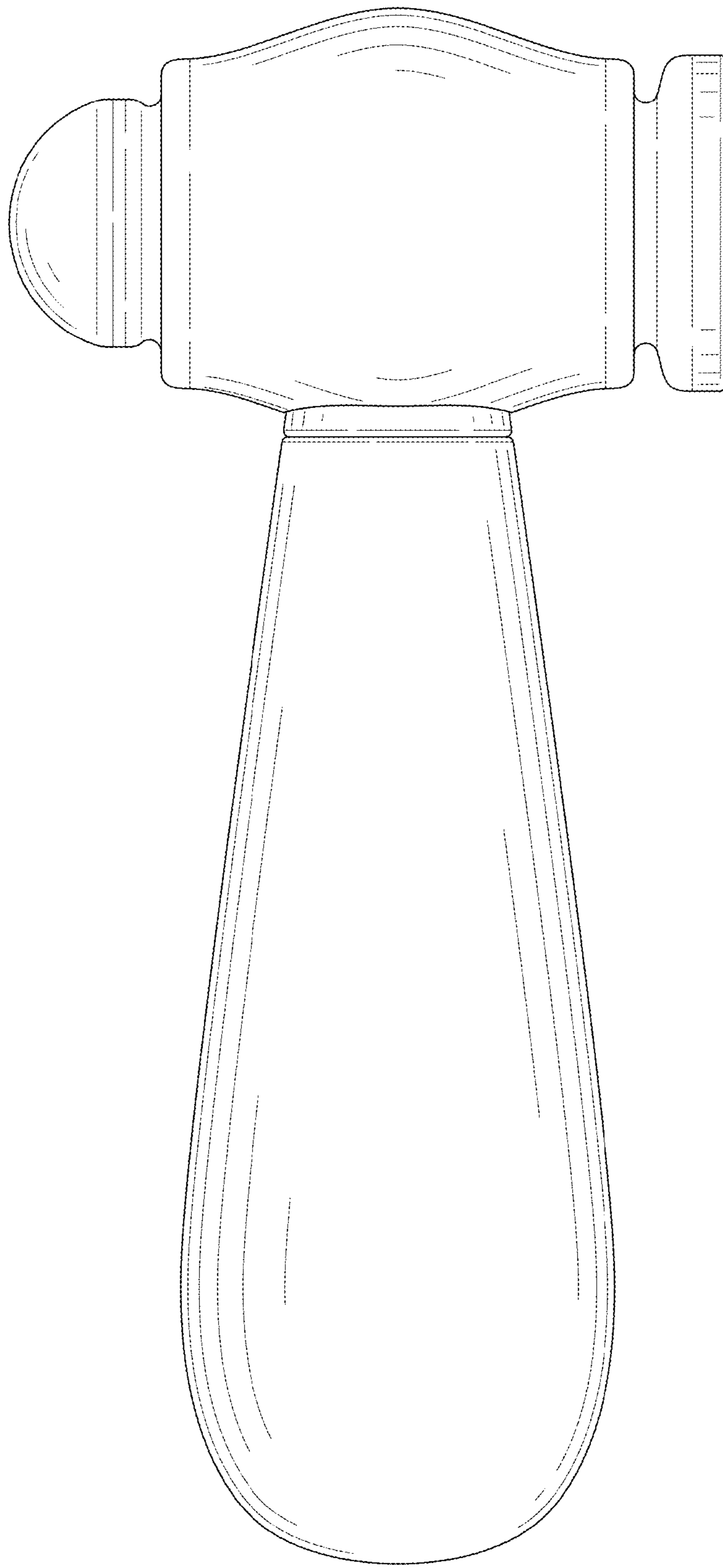


FIG. 3

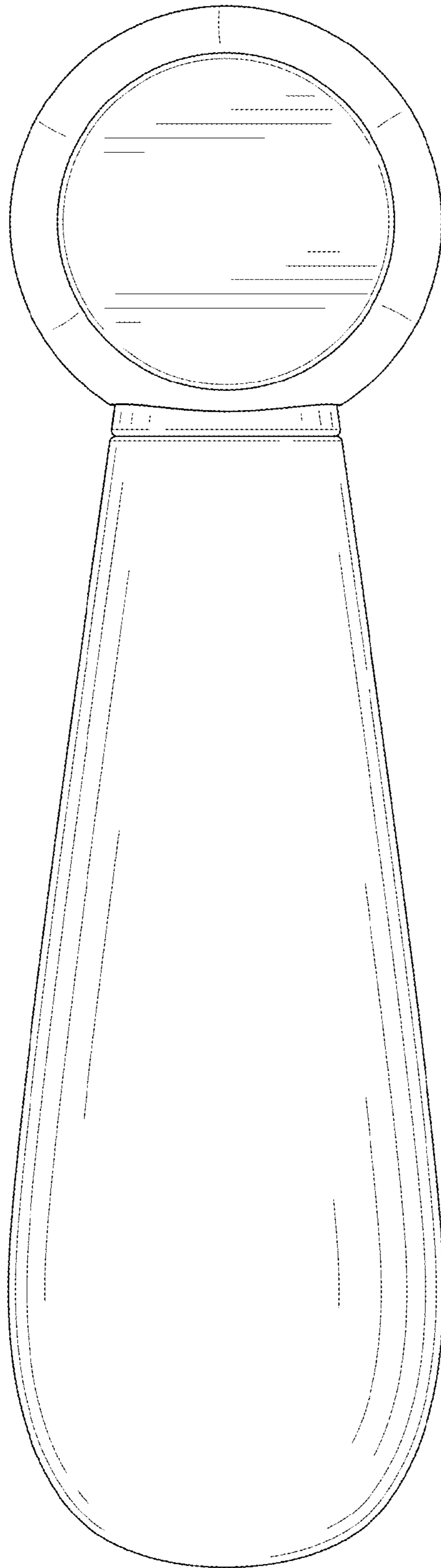


FIG. 4

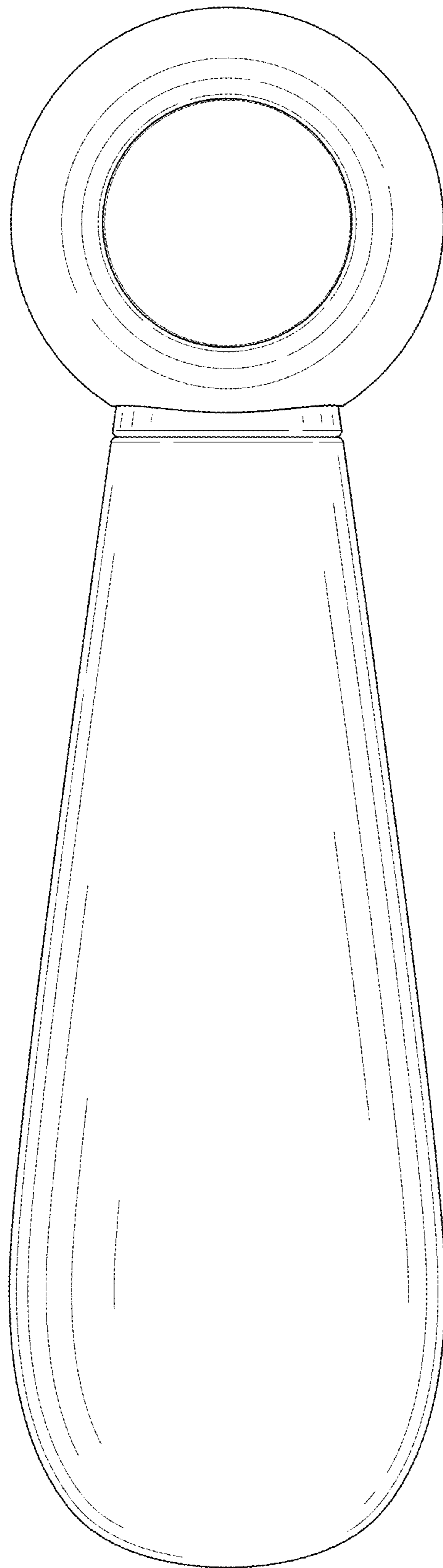


FIG. 5

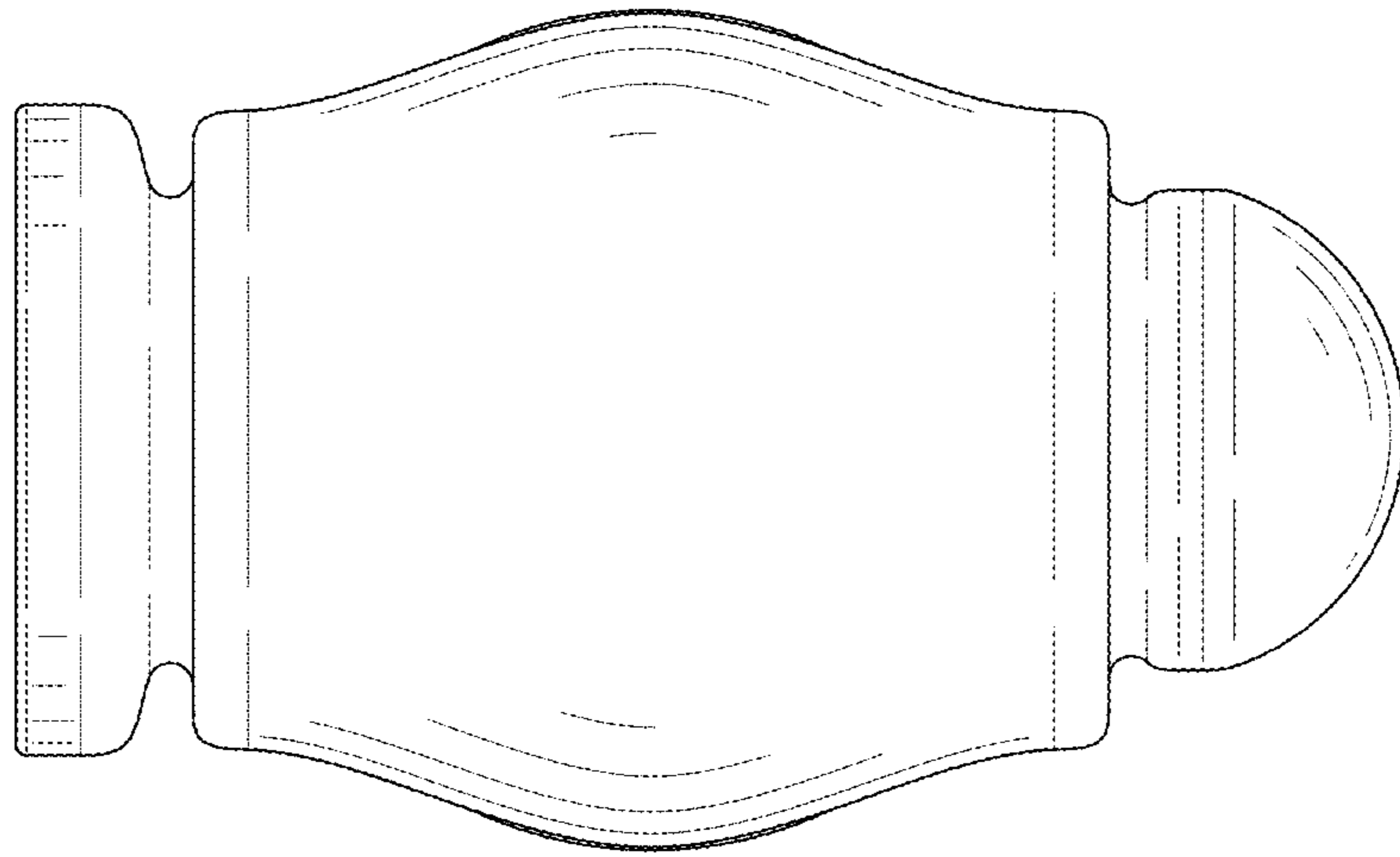


FIG. 6

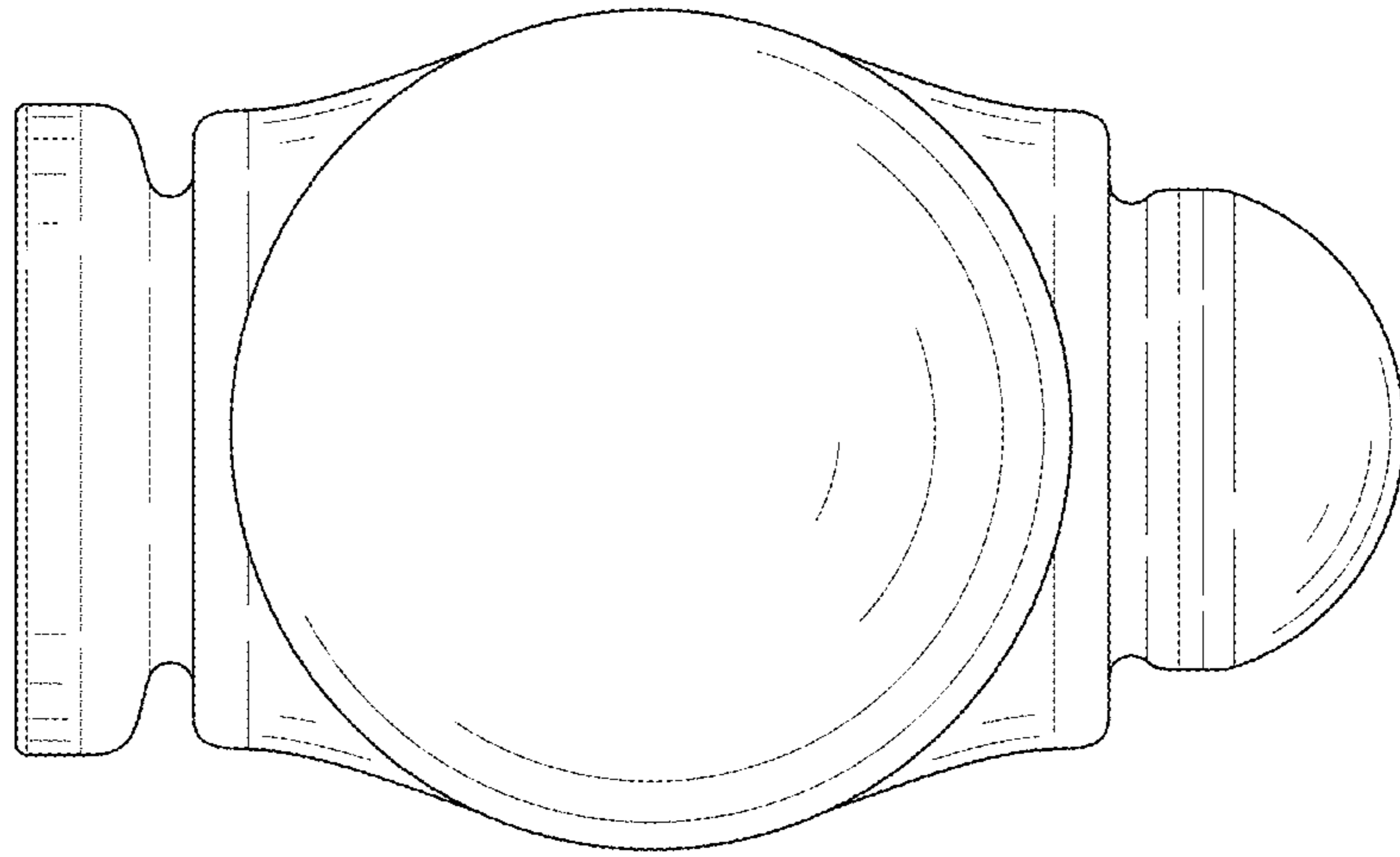


FIG. 7



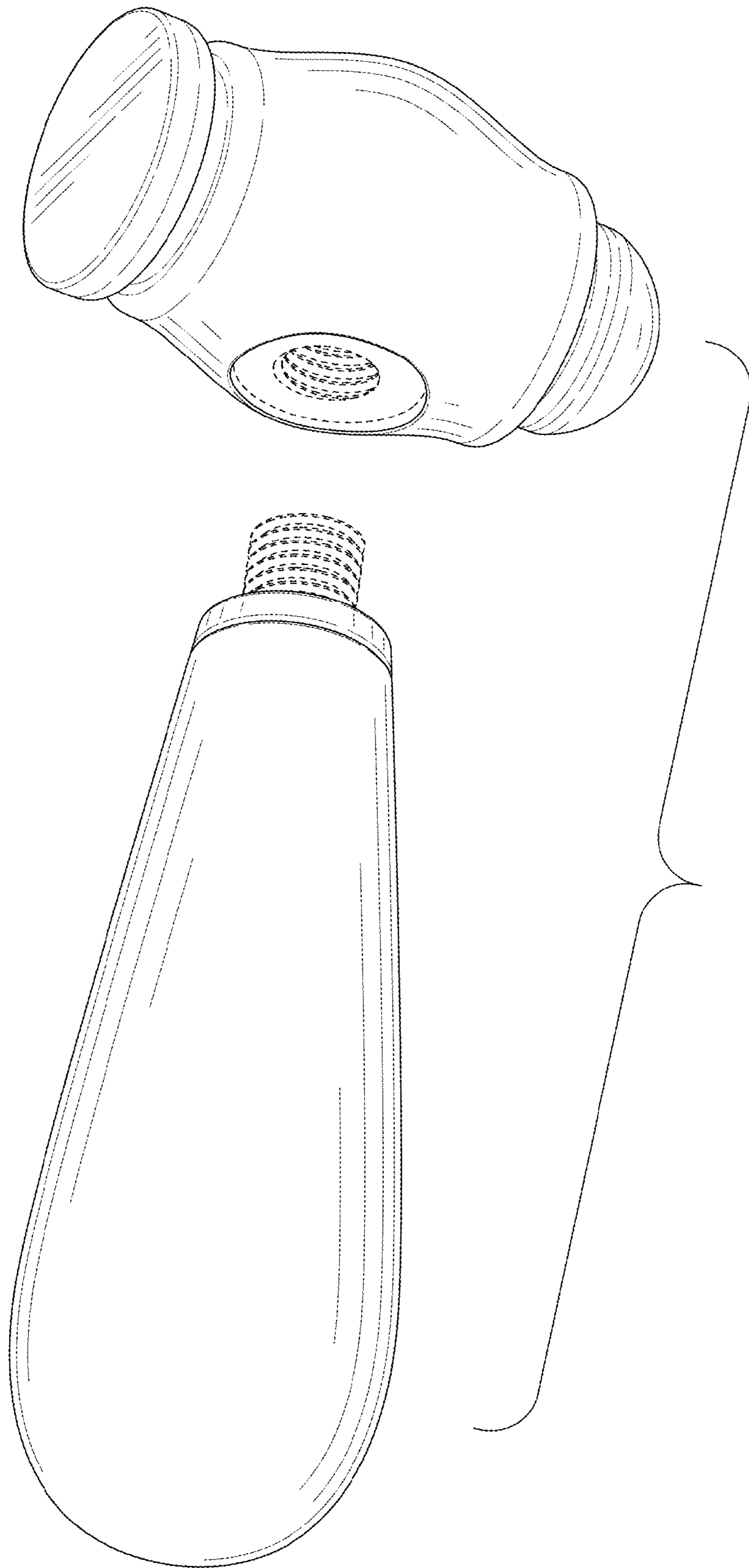


FIG. 8