



US00D963454S

(12) **United States Design Patent** (10) **Patent No.:** **US D963,454 S**
Scott (45) **Date of Patent:** **** Sep. 13, 2022**

(54) **CHAIN BREAKER TOOL**

(71) Applicant: **Steven Richard Scott**, Curlew, WA (US)

(72) Inventor: **Steven Richard Scott**, Curlew, WA (US)

(73) Assignee: **Motion Pro, Inc.**, Loomis, CA (US)

(**) Term: **15 Years**

(21) Appl. No.: **29/778,190**

(22) Filed: **Apr. 12, 2021**

(51) **LOC (13) Cl.** **08-05**

(52) **U.S. Cl.**
USPC **D8/73**

(58) **Field of Classification Search**
USPC D8/71-74, 394-399, 59
(Continued)

(56) **References Cited**

U.S. PATENT DOCUMENTS

3,816,900 A * 6/1974 Spraker B21L 21/00
83/629
3,979,812 A * 9/1976 Kuenzig B21L 21/00
29/260

(Continued)

Primary Examiner — David G Muller

(74) *Attorney, Agent, or Firm* — Larry Guernsey; Patent Law Office of Larry Guernsey

(57) **CLAIM**

The ornamental design for a chain breaker tool, as shown and described.

DESCRIPTION

FIG. 1 is a top plan view of an ornamental design for a chain breaker tool of the present invention in closed position;

FIG. 2 is a front view of an ornamental design for a chain breaker tool of the present invention in closed position;

FIG. 3 is a right side view of an ornamental design for a chain breaker tool of the present invention in closed position;

FIG. 4 is a rear view of an ornamental design for a chain breaker tool of the present invention in closed position;

FIG. 5 is a left side view of an ornamental design for a chain breaker tool of the present invention in closed position;

FIG. 6 is a bottom plan view of an ornamental design for a chain breaker tool of the present invention in closed position;

FIG. 7 is an upper left isometric view of an ornamental design for a chain breaker tool of the present invention in closed position;

FIG. 8 is an upper right isometric view of an ornamental design for a chain breaker tool of the present invention in closed position;

FIG. 9 is a top plan view of an ornamental design for a chain breaker tool of the present invention in open position;

FIG. 10 is a front view of an ornamental design for a chain breaker tool of the present invention in open position;

FIG. 11 is a right side view of an ornamental design for a chain breaker tool of the present invention in open position;

FIG. 12 is a rear view of an ornamental design for a chain breaker tool of the present invention in open position;

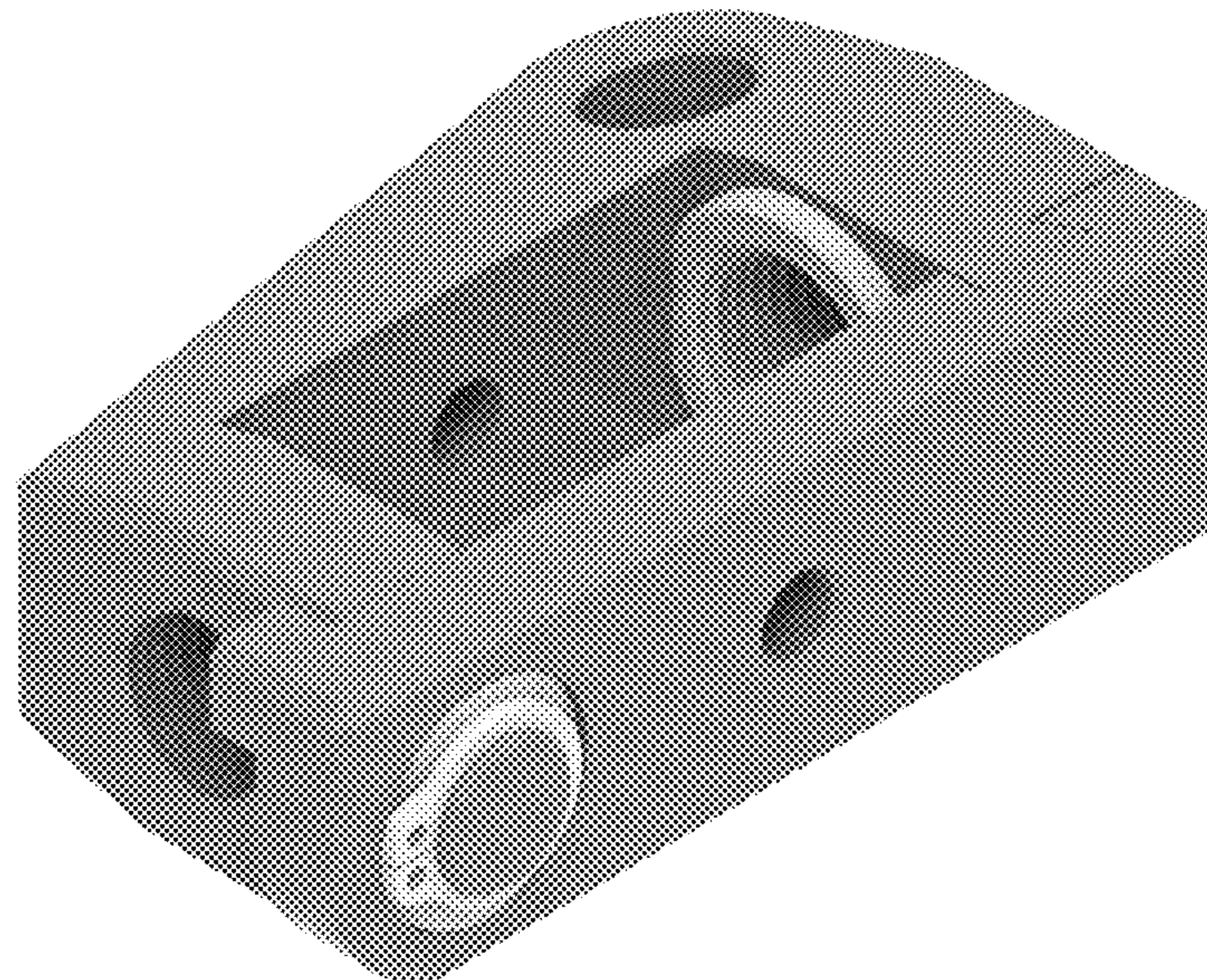
FIG. 13 is a left side view of an ornamental design for a chain breaker tool of the present invention in open position;

FIG. 14 is a bottom plan view of an ornamental design for a chain breaker tool of the present invention in open position;

FIG. 15 is an upper left isometric view of an ornamental design for a chain breaker tool of the present invention in open position; and,

FIG. 16 is an upper right isometric view of an ornamental design for a chain breaker tool of the present invention in open position.

1 Claim, 16 Drawing Sheets



(58) **Field of Classification Search**

CPC ... B21L 21/00; B25F 1/04; B25B 1/00; B25B
5/00

See application file for complete search history.

(56) **References Cited**

U.S. PATENT DOCUMENTS

4,221,113 A * 9/1980 Jordan B21L 21/00
59/7
5,743,502 A * 4/1998 Humma B25H 1/10
269/99
D762,110 S * 7/2016 Olson D8/394
D859,953 S * 9/2019 Pililaa D8/73
D901,284 S * 11/2020 Chorley D8/394
D913,068 S * 3/2021 Chan D8/71
D915,566 S * 4/2021 Deans F16B 7/185
D23/262
2007/0193247 A1* 8/2007 Daniels B25B 27/22
29/257
2011/0179761 A1* 7/2011 Yu B21L 9/065
59/7
2013/0269161 A1* 10/2013 Chen B25B 11/02
29/281.1
2016/0279696 A1* 9/2016 Chen B25F 1/04

* cited by examiner

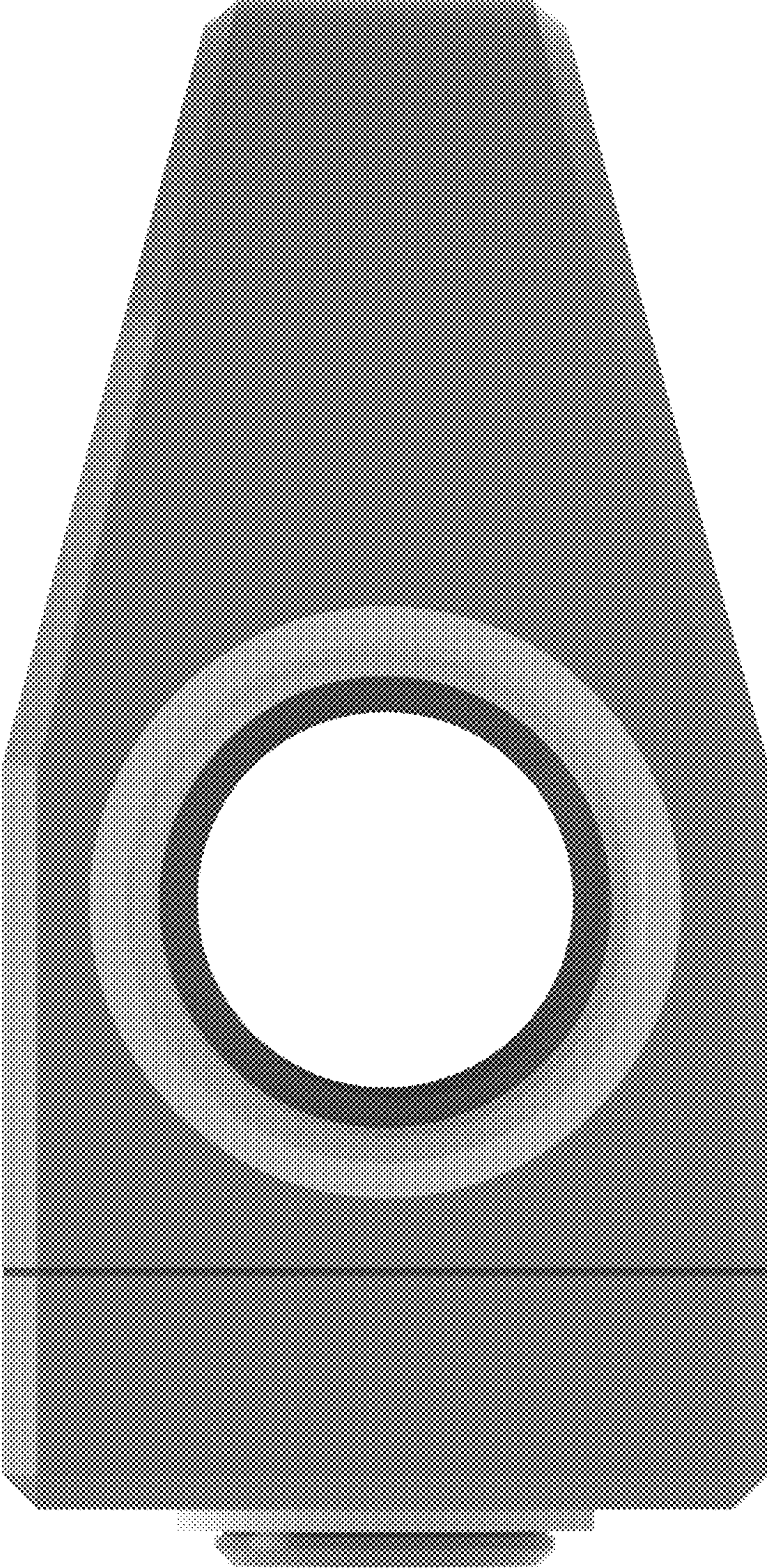


FIG. 1

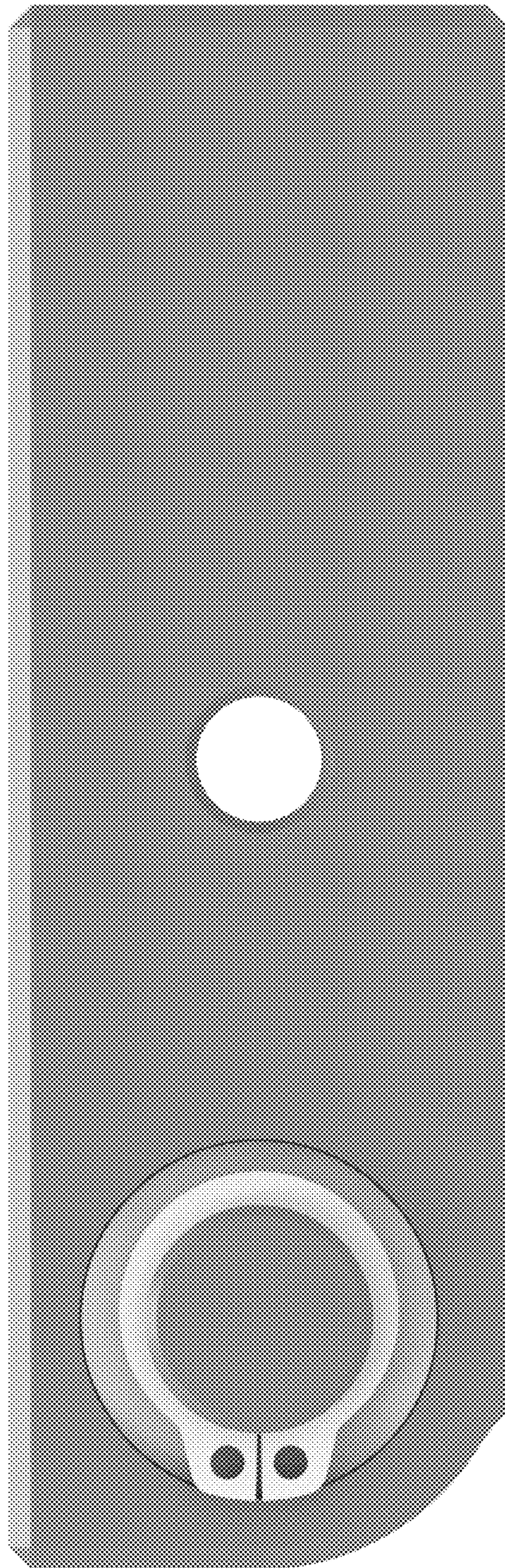


FIG. 2

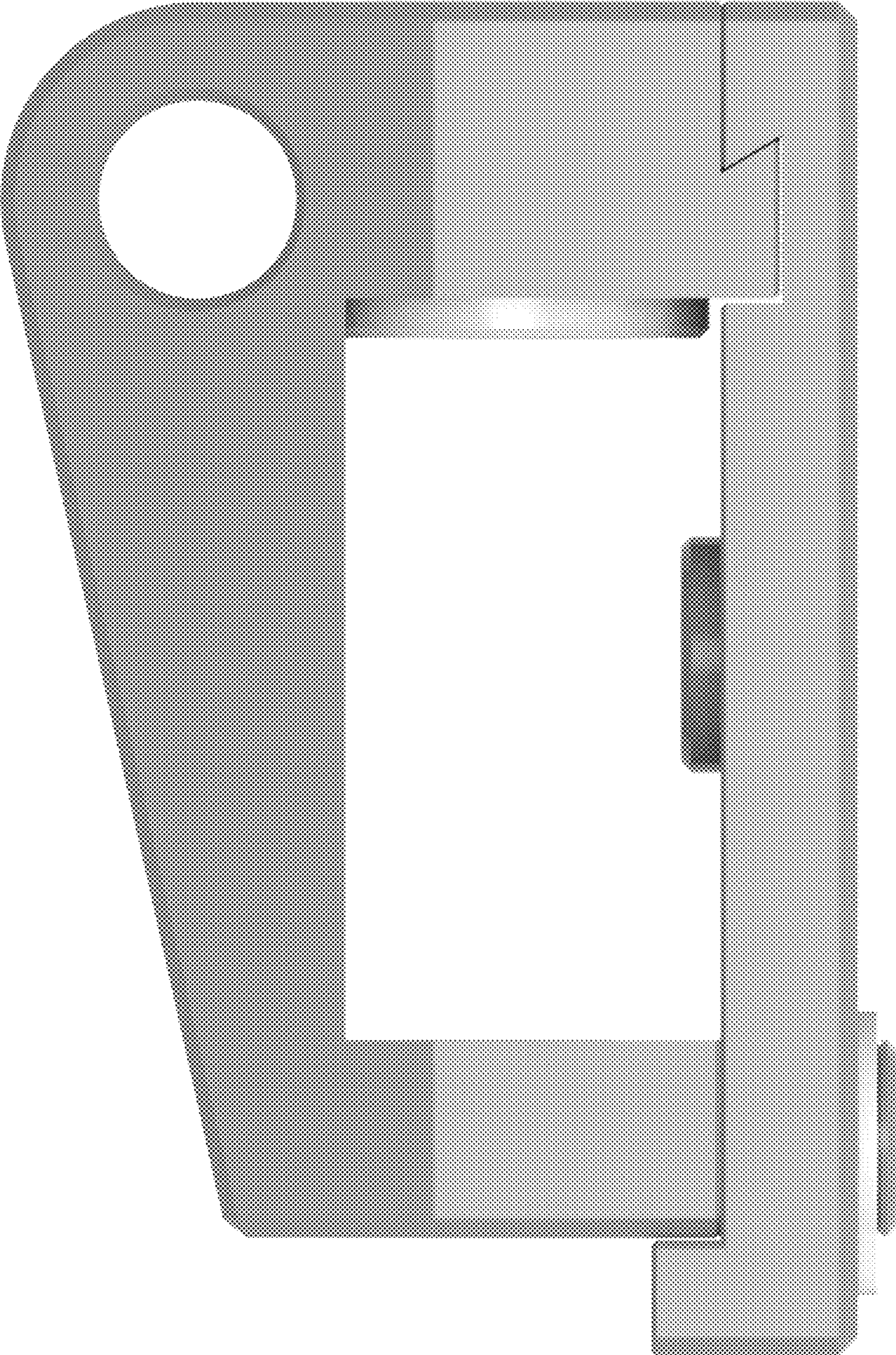


FIG.3

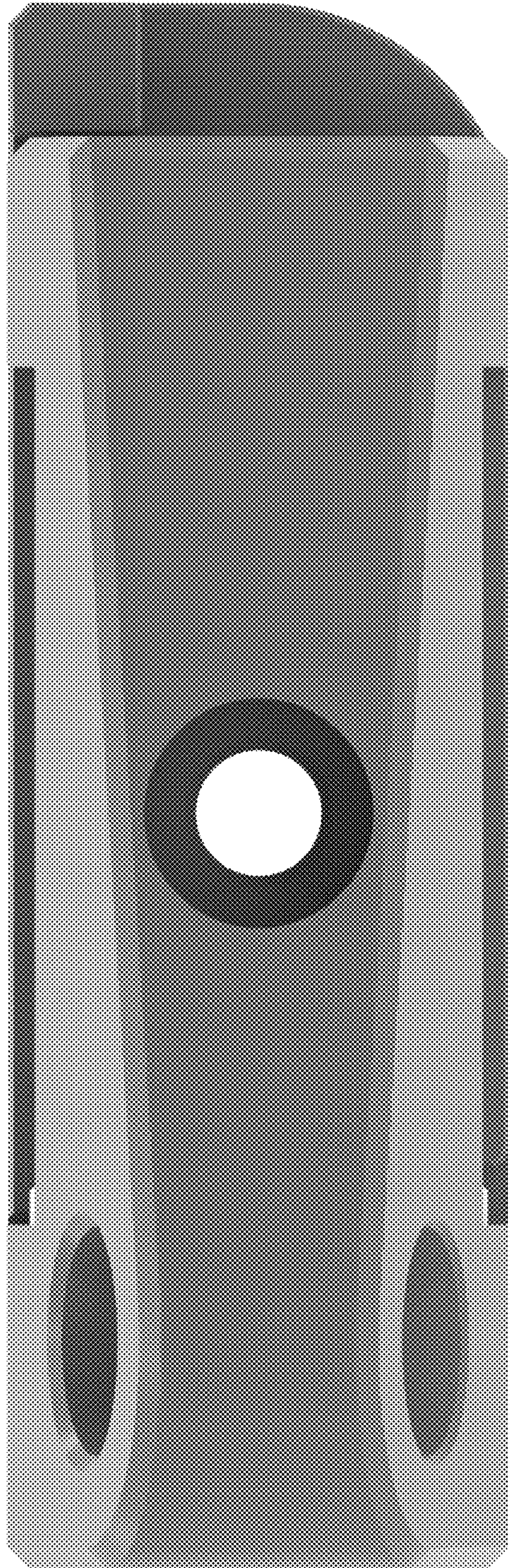


FIG.4

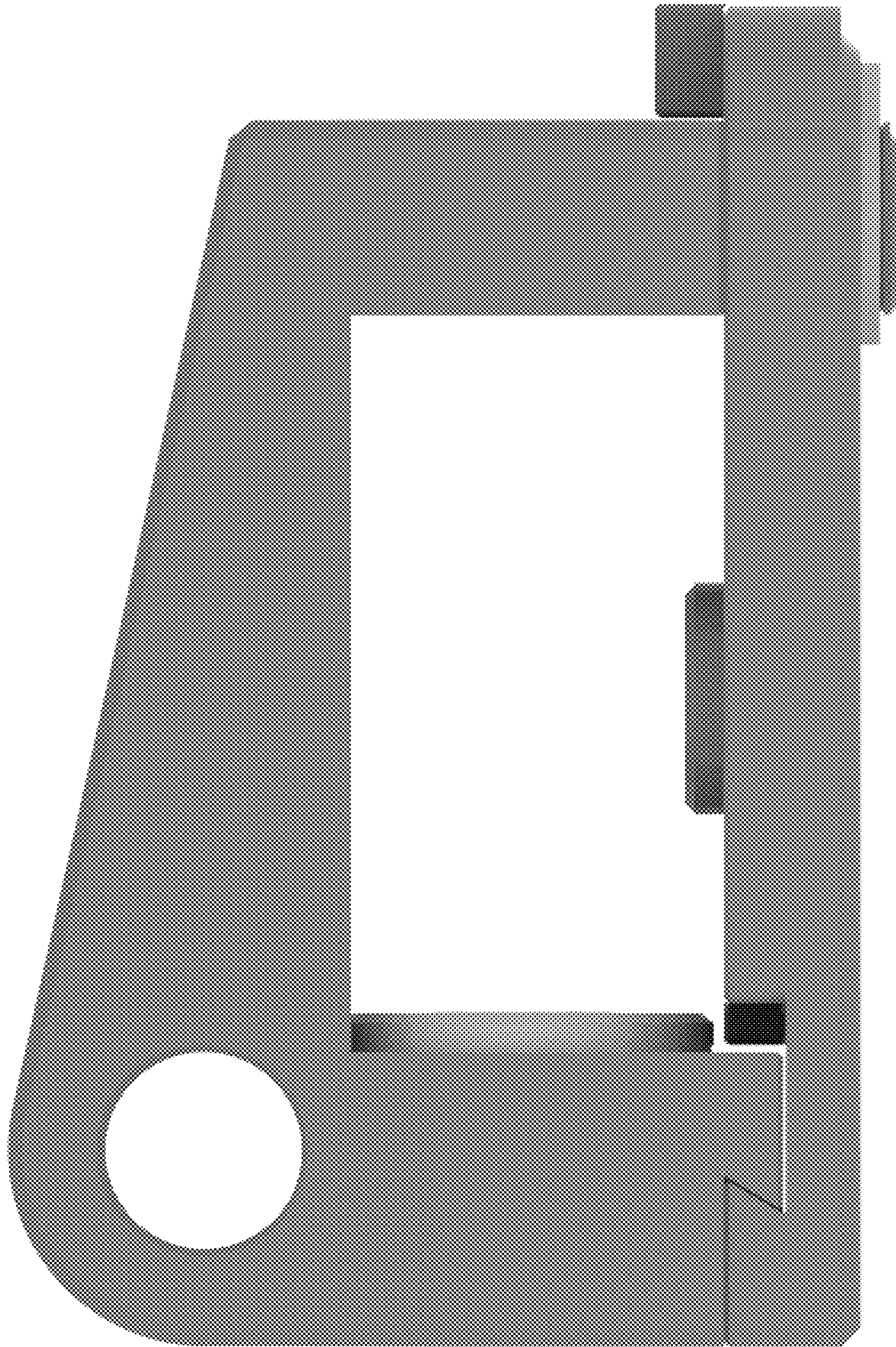


FIG. 5

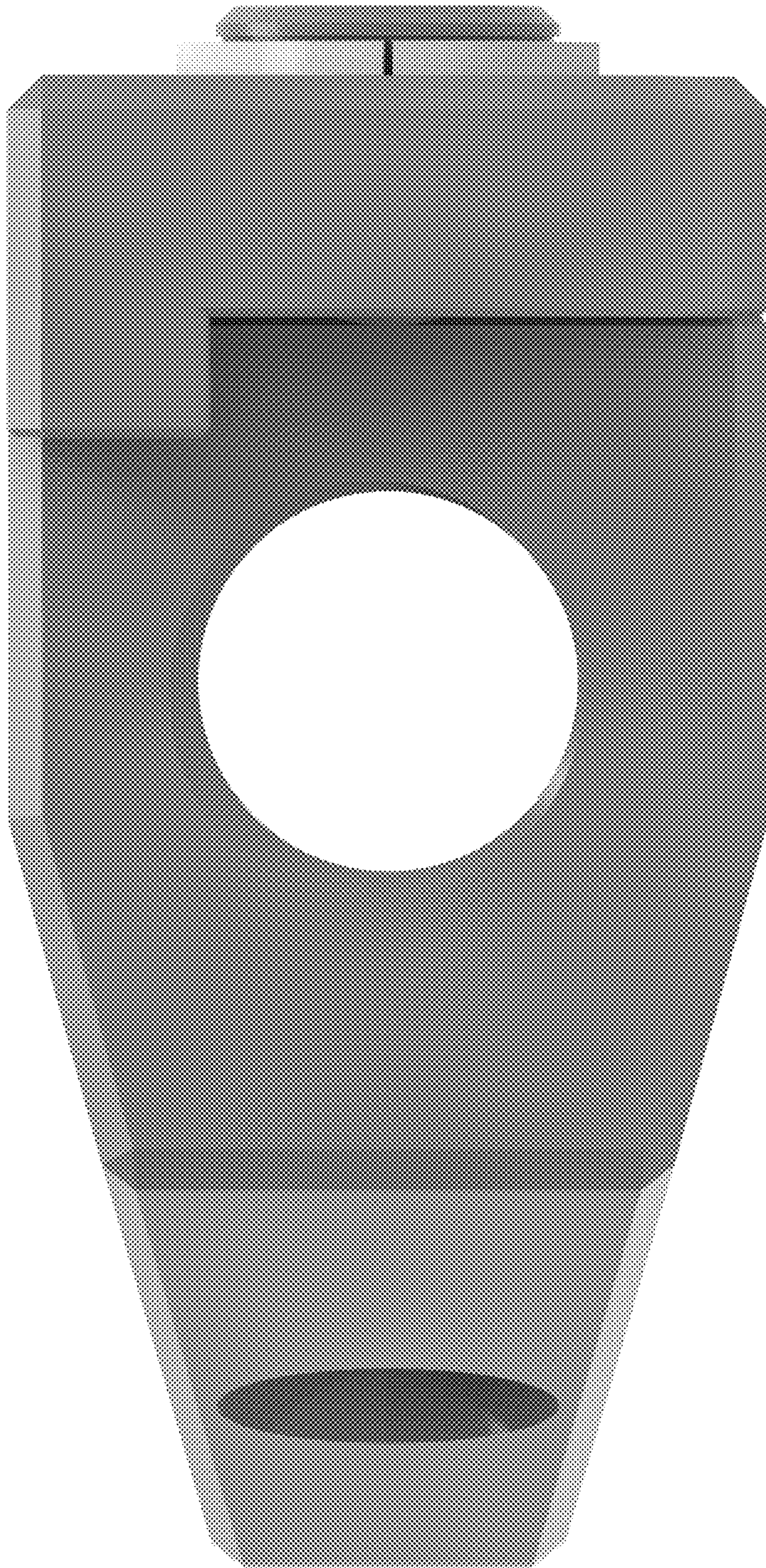


FIG.6

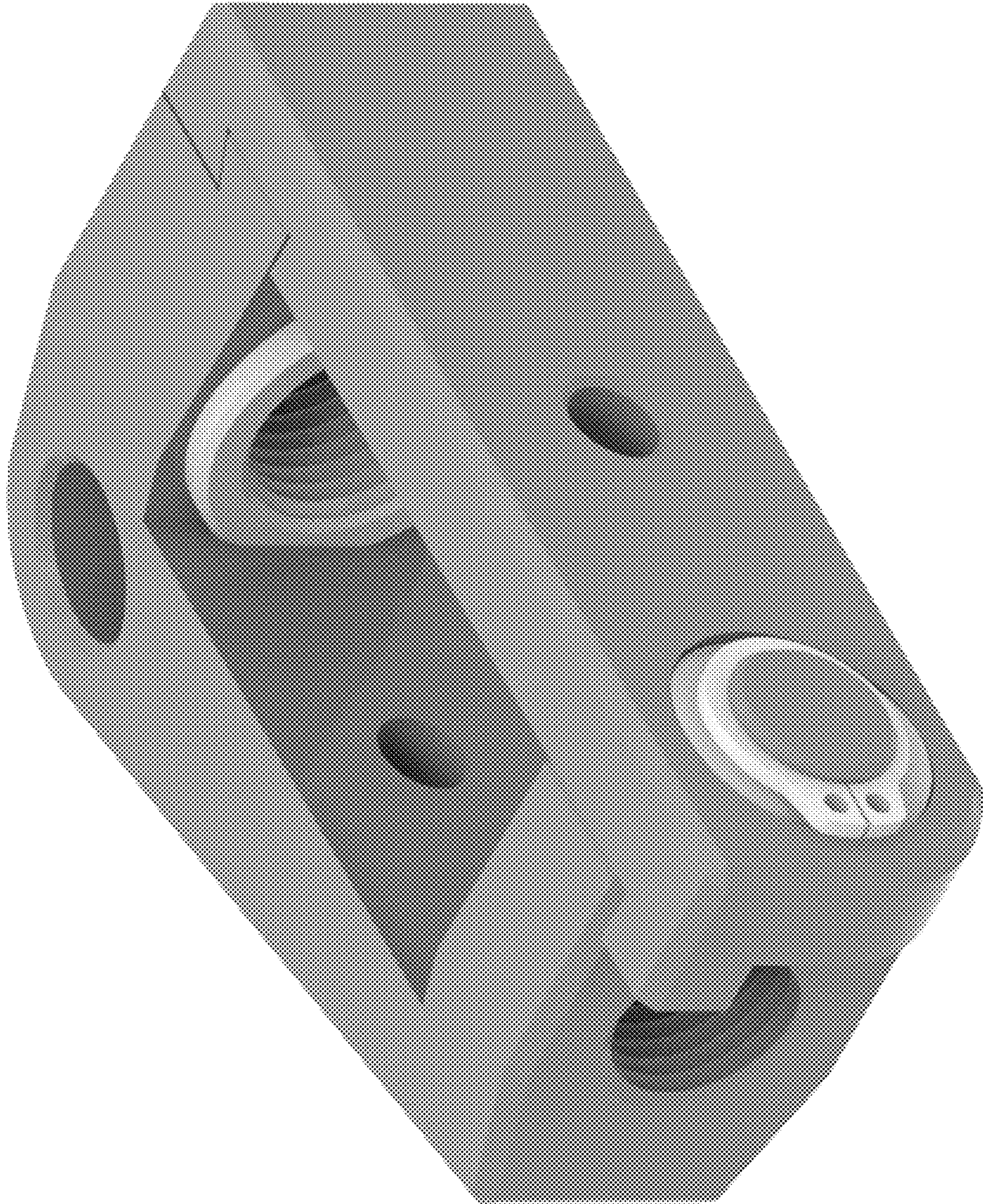


FIG.7

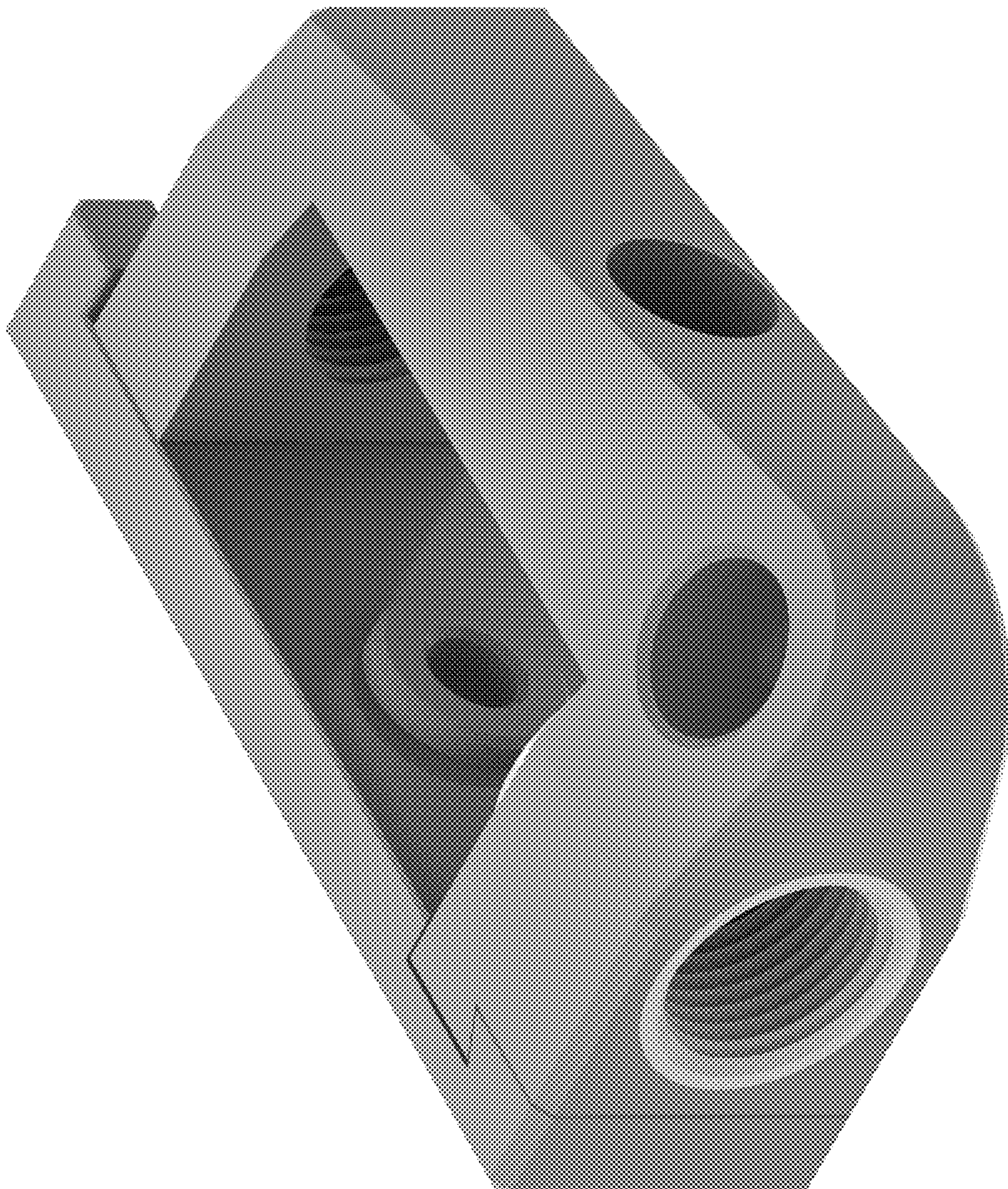


FIG. 8

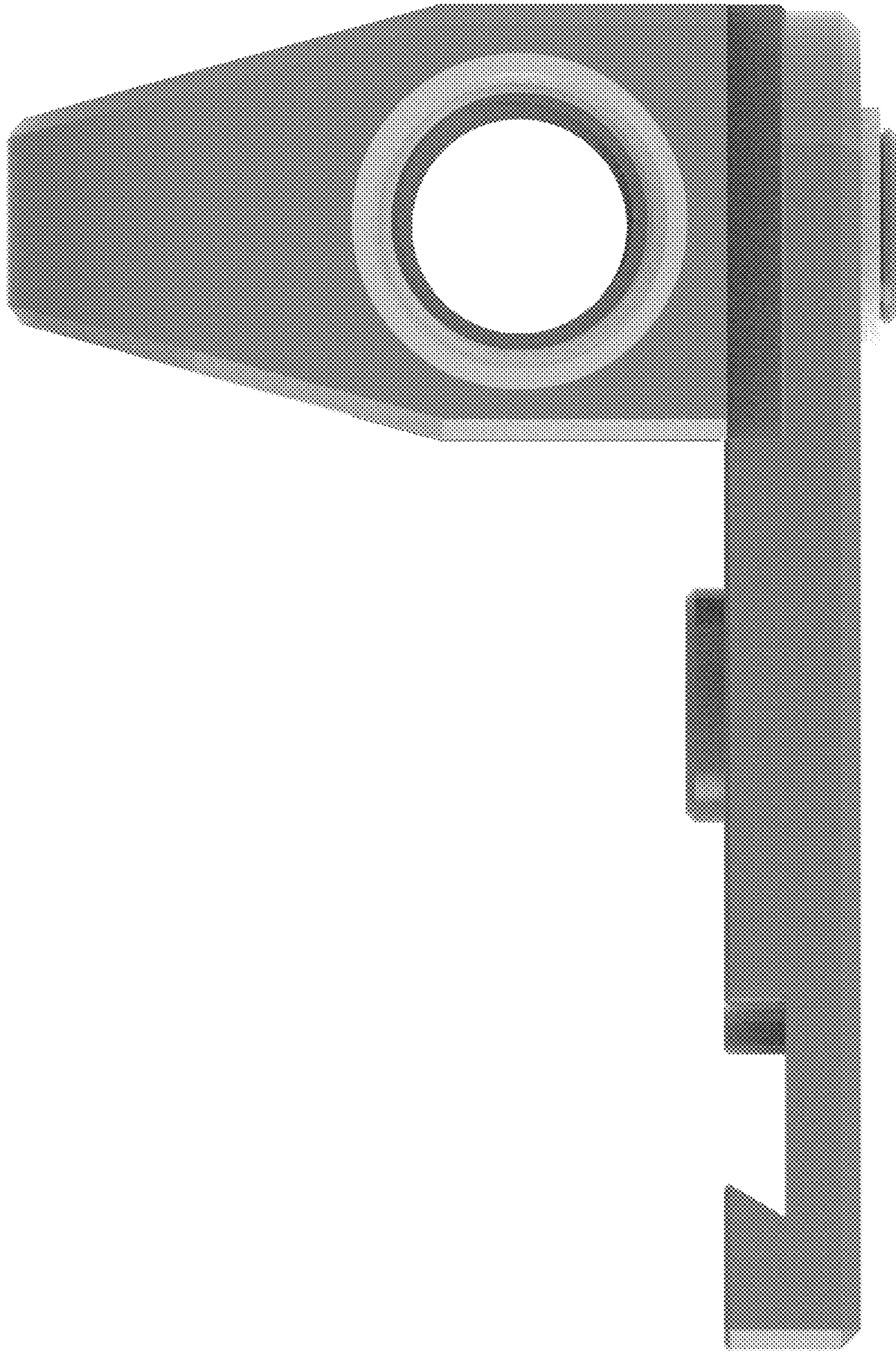


FIG. 9

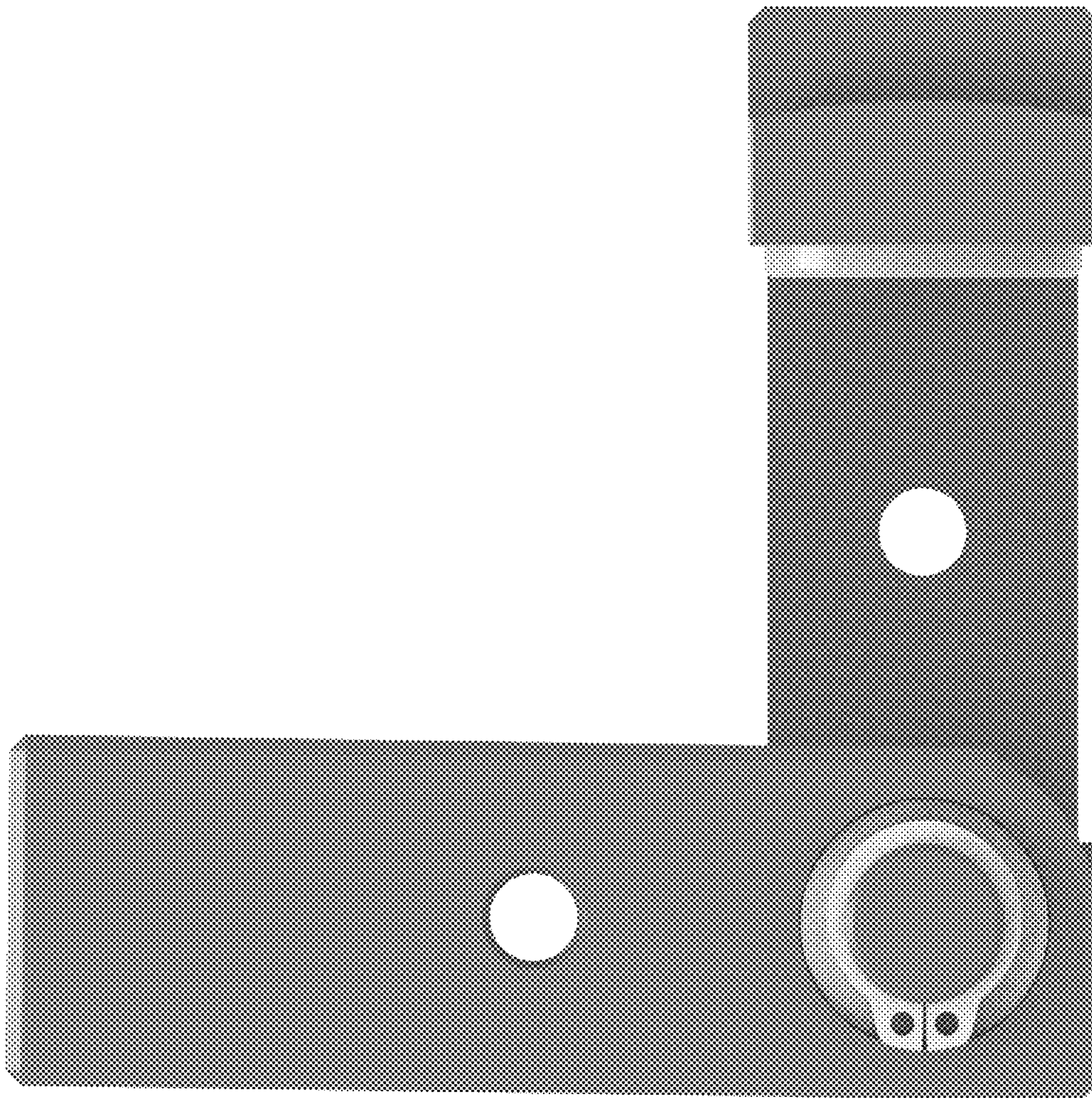


FIG.10

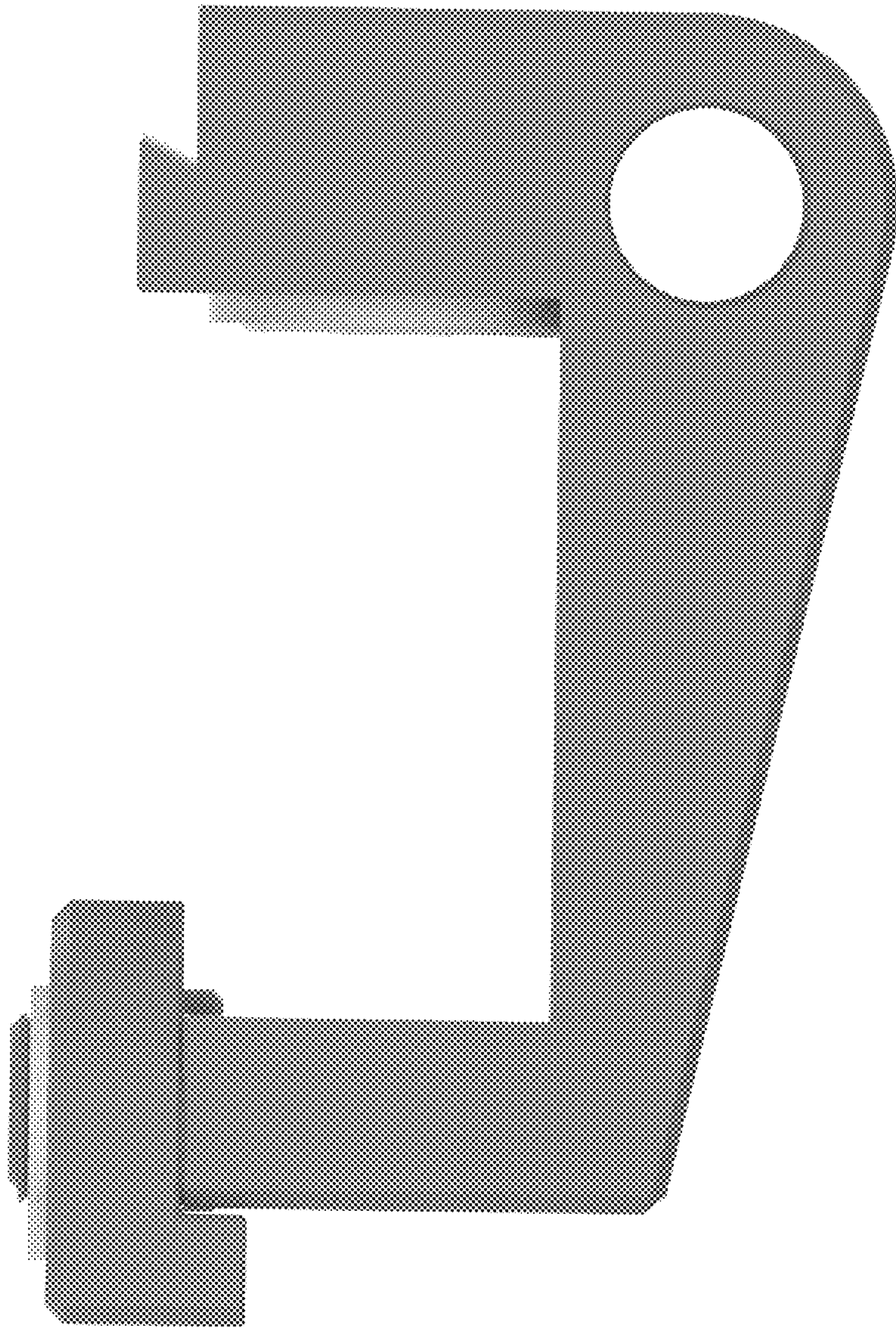


FIG.11

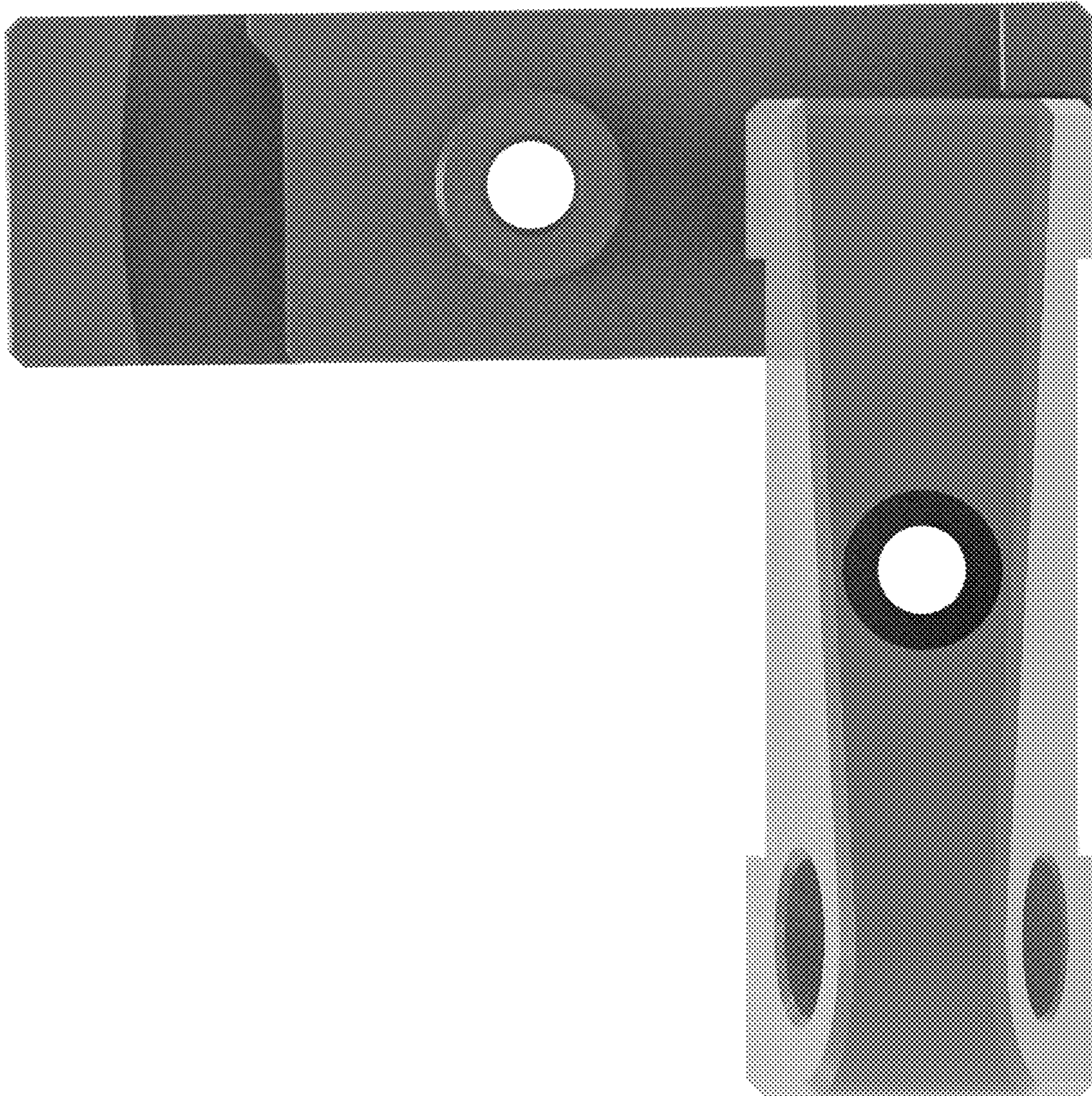


FIG.12

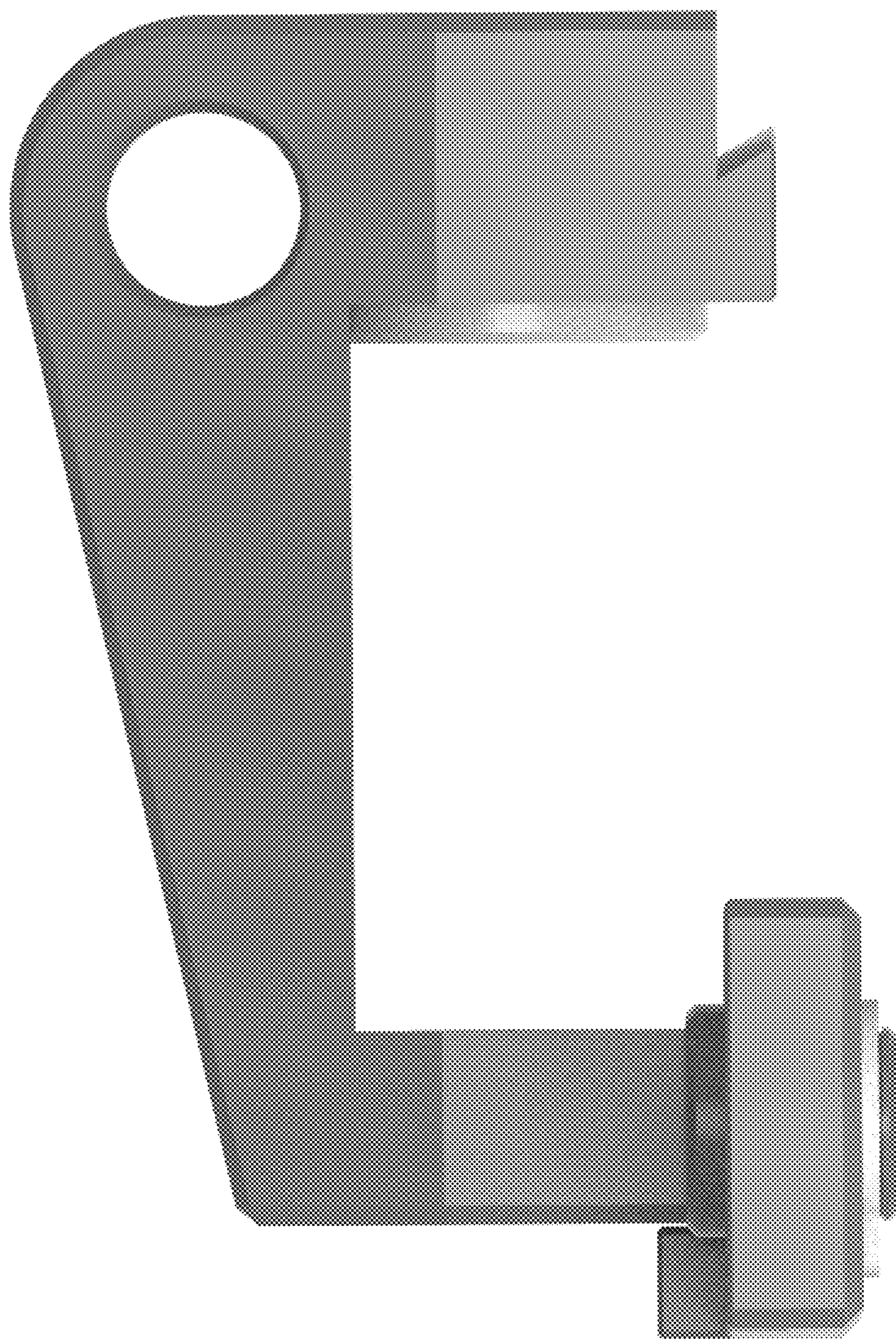


FIG.13

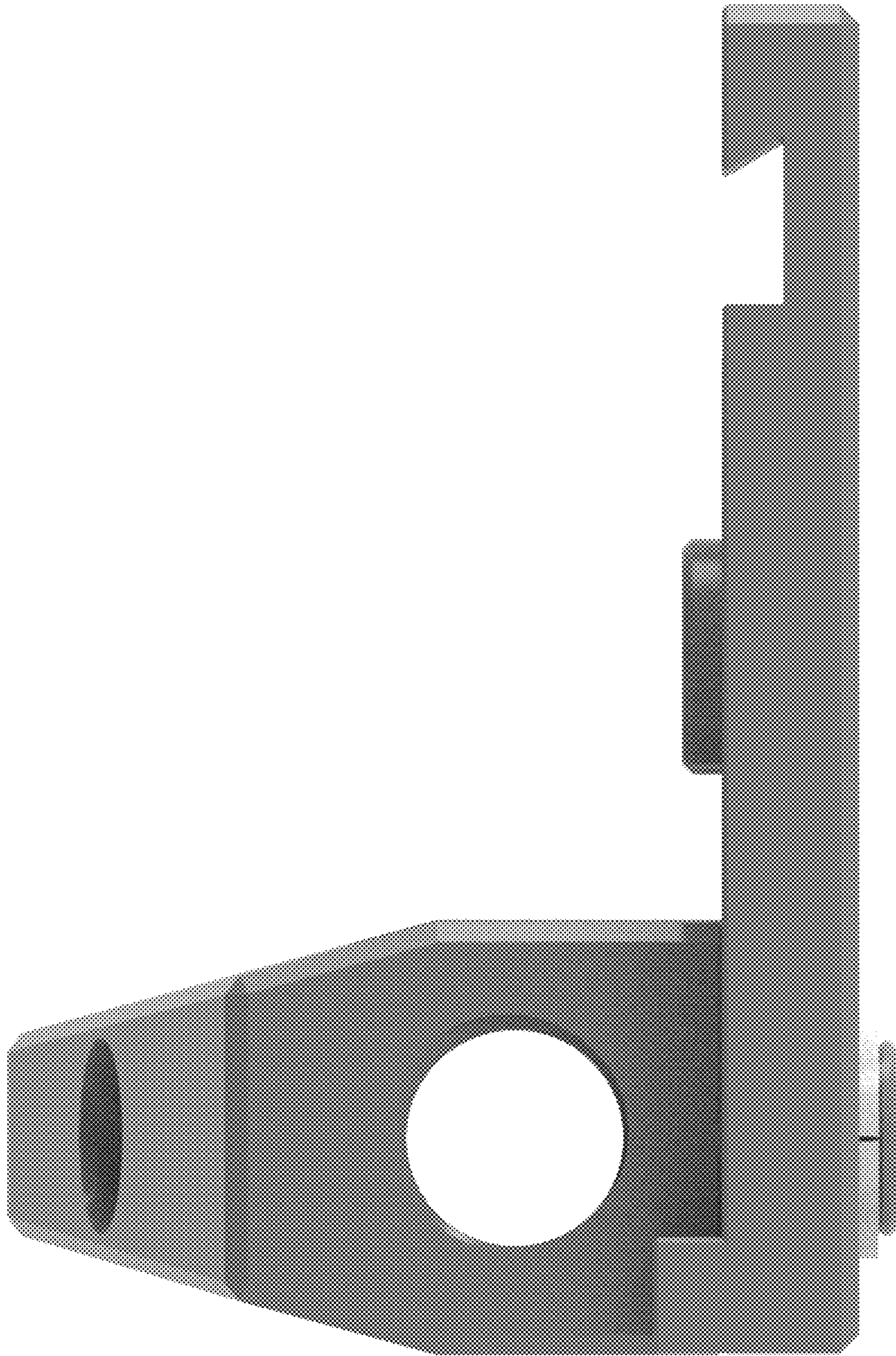


FIG.14

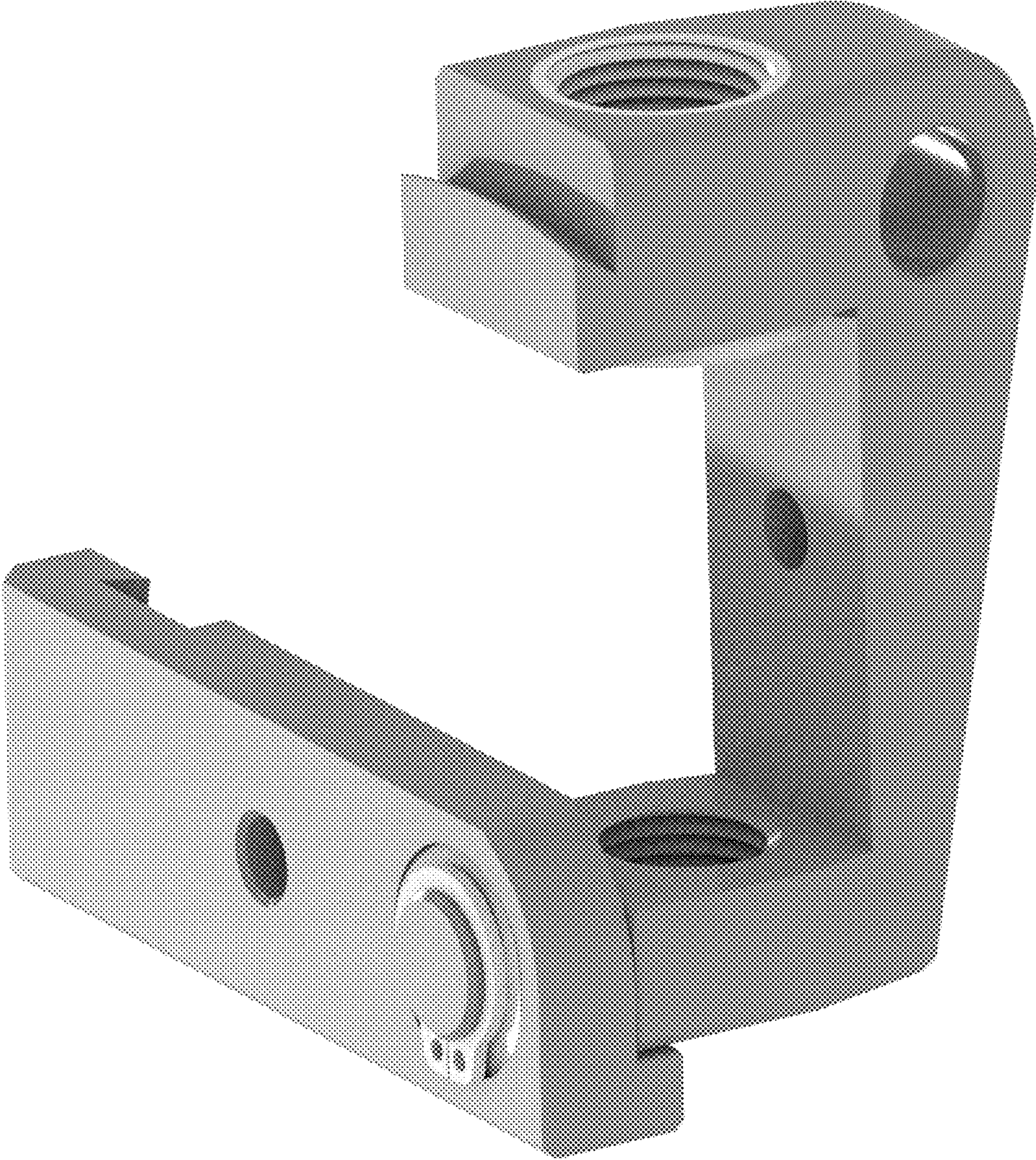


FIG.15

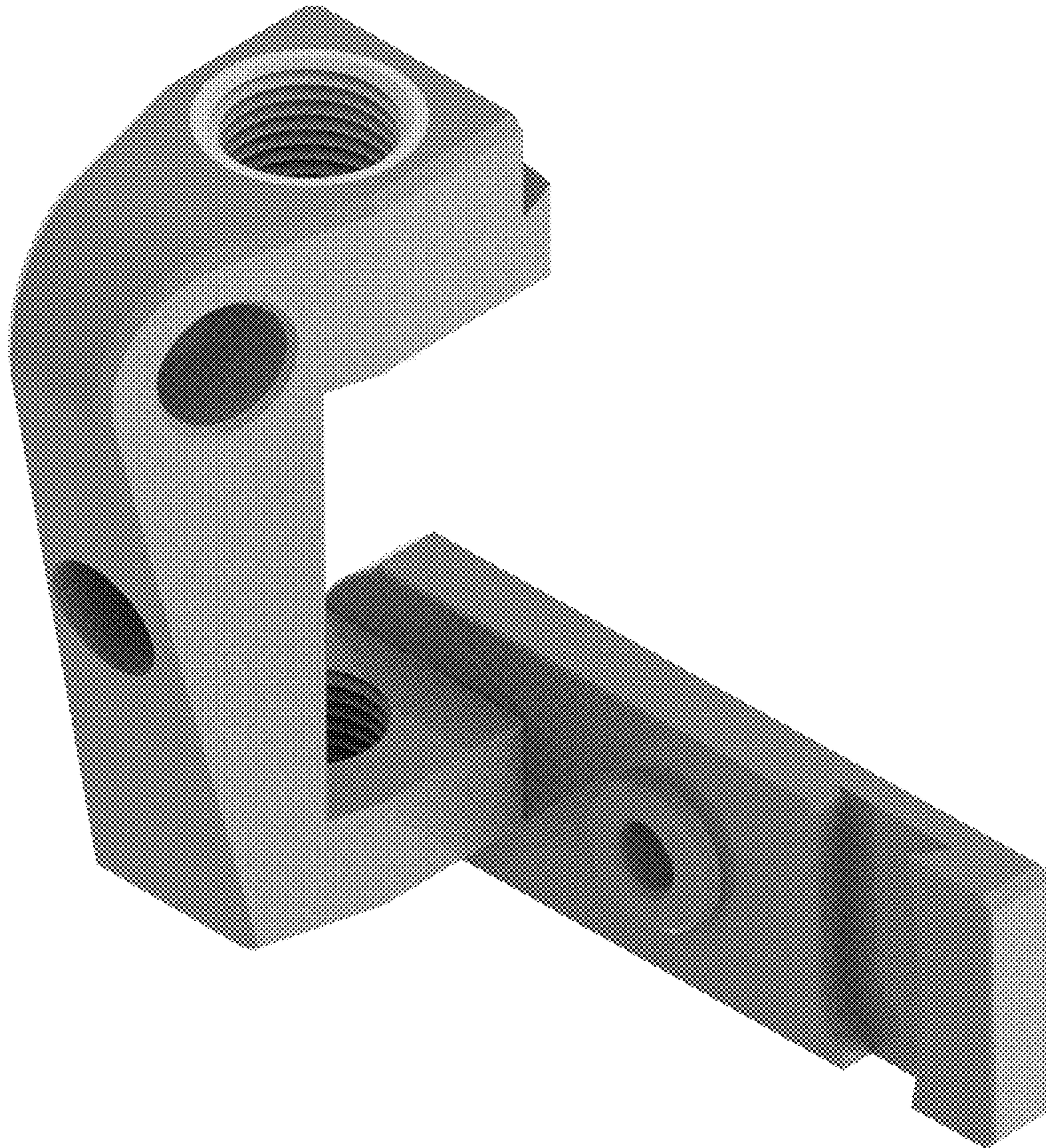


FIG.16