



US00D963453S

(12) **United States Design Patent** (10) **Patent No.:** **US D963,453 S**
MacKarvich (45) **Date of Patent:** **** *Sep. 13, 2022**

(54) **CLAMP BODY**

D922,931 S * 6/2021 Badillo D8/349
11,143,343 B2 * 10/2021 Smith F16L 25/01
D939,336 S * 12/2021 Svengalis D8/397
(Continued)

(71) Applicant: **Charles J. MacKarvich**, Atlanta, GA
(US)

(72) Inventor: **Charles J. MacKarvich**, Atlanta, GA
(US)

FOREIGN PATENT DOCUMENTS

CN 307083178 * 1/2022
KR 301147651.0000 * 1/2022

(*) Notice: This patent is subject to a terminal disclaimer.

(**) Term: **15 Years**

OTHER PUBLICATIONS

Plastic Clamp Body #2 , Google.com, [online], [site visited Feb. 12, 2022], Available from internet URL: <https://tuckerusa.com/plastic-clamp-body-2/> (Year: NA).*

(21) Appl. No.: **29/806,176**

(22) Filed: **Sep. 1, 2021**

(Continued)

(51) **LOC (13) Cl.** **08-05**

(52) **U.S. Cl.**
USPC **D8/72**; D8/394

Primary Examiner — Susan Bennett Hattan
Assistant Examiner — Rozita Mozaffarian
(74) *Attorney, Agent, or Firm* — Taylor English Duma LLP

(58) **Field of Classification Search**
USPC D8/349, 352, 382, 72, 394, 395, 396, 73,
D8/383, 325, 306, 323, 345, 71;
D16/242, 245; D23/266; D21/366;
D24/230; D25/38.1, 41.1, 42, 43, 44
CPC . F16L 3/1025; F16L 1/123; F16L 3/08; F16L
3/237; F16L 3/1075; E21B 17/1035;
E21B 19/02; F16B 2/065; F16B 7/0433;
F16B 2/10; Y10T 403/70; Y10T
403/5753; Y10T 29/49998; E04G
21/3242; E04G 21/3233; E04G 21/3223;
E04G 21/3204; B25B 5/006; B25B 5/02;
B25B 5/102

See application file for complete search history.

(57) **CLAIM**

I claim the ornamental design for a clamp body, as shown and described.

(56) **References Cited**

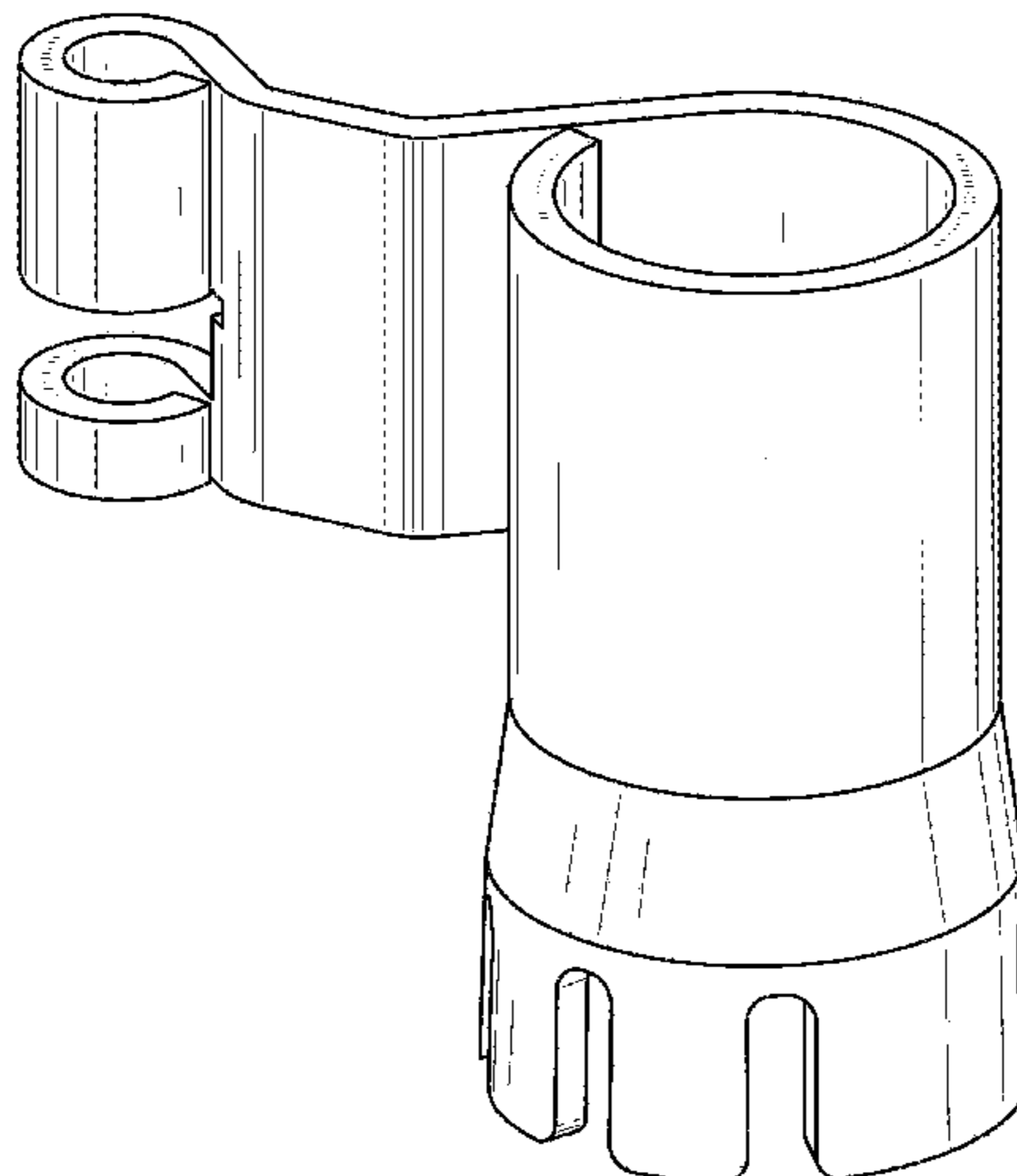
U.S. PATENT DOCUMENTS

D278,308 S * 4/1985 Garvis D8/71
D721,950 S * 2/2015 Quinlan D8/396
D798,699 S * 10/2017 Roiser D8/396
D834,527 S * 11/2018 Richardson, Jr. D13/151
D882,368 S * 4/2020 Wagmann D8/72
D893,239 S * 8/2020 Van Den Nieuwenhuizen
D7/354
D897,828 S * 10/2020 Lin D8/396

DESCRIPTION

FIG. 1 is a perspective view of a clamp body.
FIG. 2 is a left-side elevation view thereof.
FIG. 3 is a right-side elevation view thereof.
FIG. 4 is a front elevation view thereof.
FIG. 5 is a rear elevation view thereof.
FIG. 6 is a top plan view thereof.
FIG. 7 is a bottom plan view thereof; and,
FIG. 8 is a perspective view of a clamp assembly comprising the clamp body, a fastener, and a fastener ledge.
Those features shown in broken lines, including the fastener and the fastener ledge shown in FIG. 8, form no part of the claimed design.
The specification includes an Appendix, which forms part of the application disclosure and is incorporated herein by reference.

1 Claim, 8 Drawing Sheets



(56)

References Cited

U.S. PATENT DOCUMENTS

D939,672 S * 12/2021 Duncan F16L 23/18
D23/262
D939,825 S * 1/2022 Omelchenko D19/197
D939,948 S * 1/2022 Cronje D8/399
D941,378 S * 1/2022 Yu D8/51
D942,599 S * 2/2022 Cocks D23/304

OTHER PUBLICATIONS

Auto Silencer Lap Joint Exhaust Band Clamp for Auto Body,
Google.com, [online], [site visited Feb. 12, 2022], Available from
internet URL: <https://m.made-in-china.com/product/Auto-Silencer-Lap-Joint-Exhaust-Band-Clamp-for-Auto-Body-1908826692.html>
(Year: NA).*

* cited by examiner

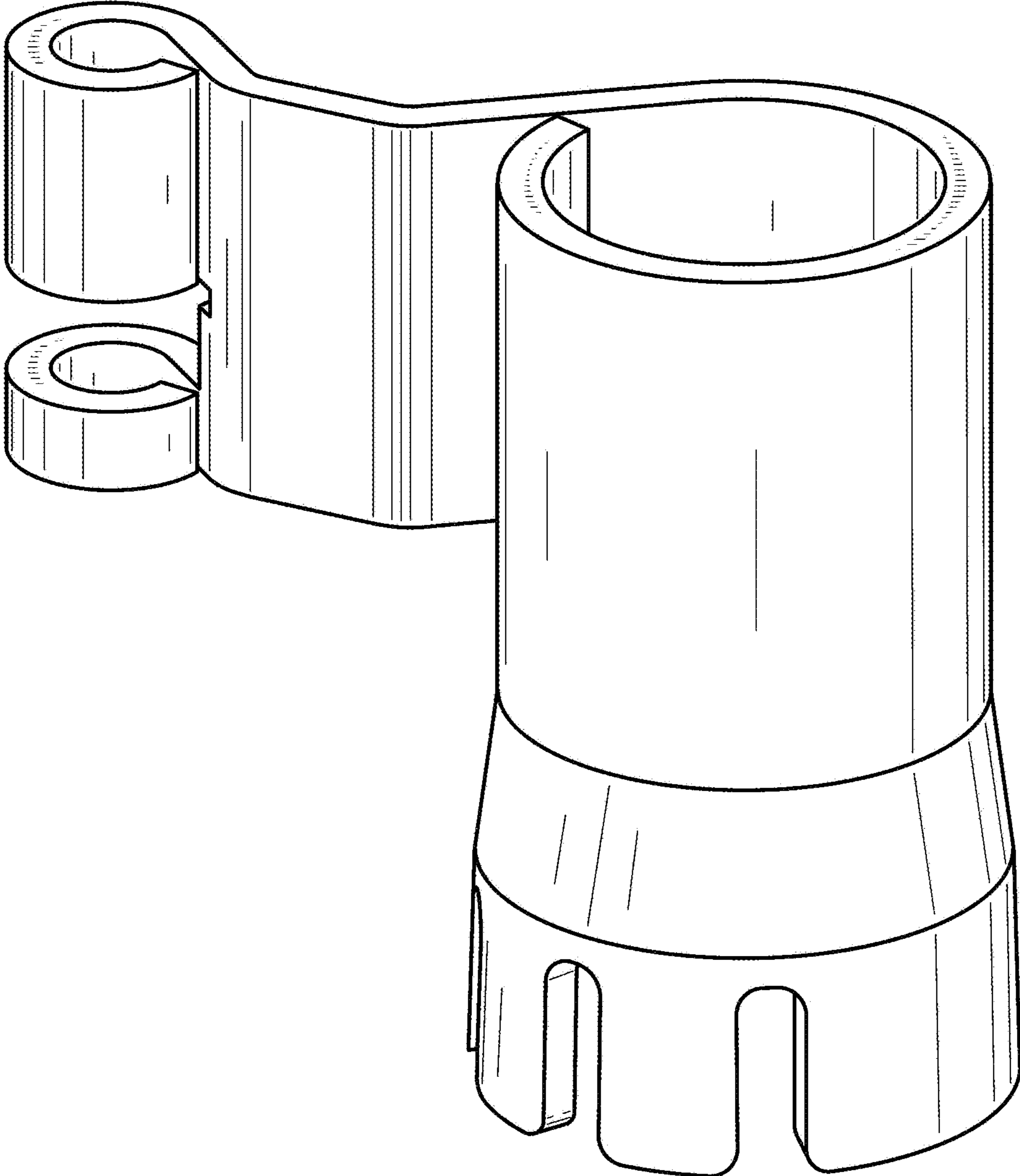


FIG. 1

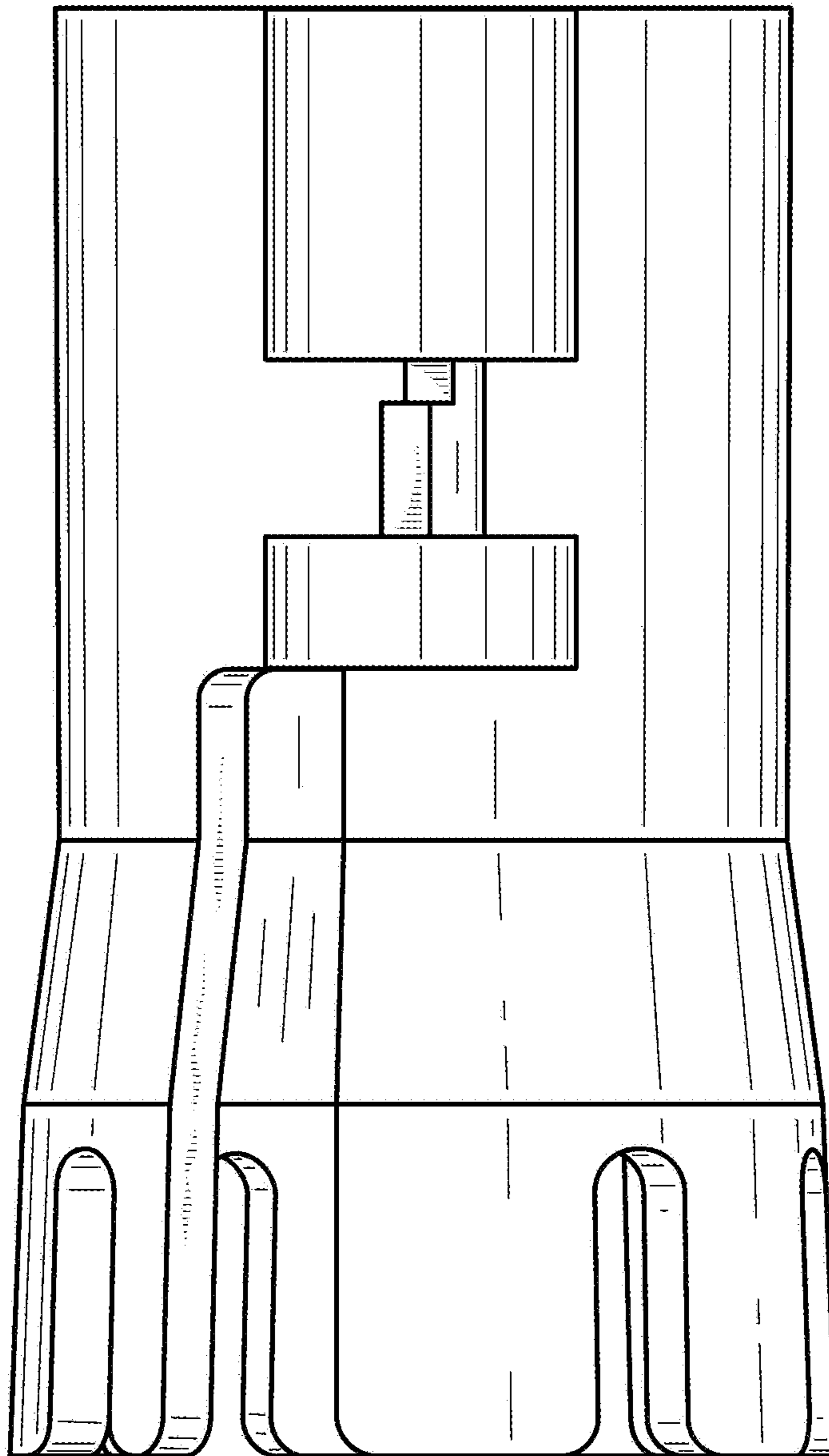


FIG. 2

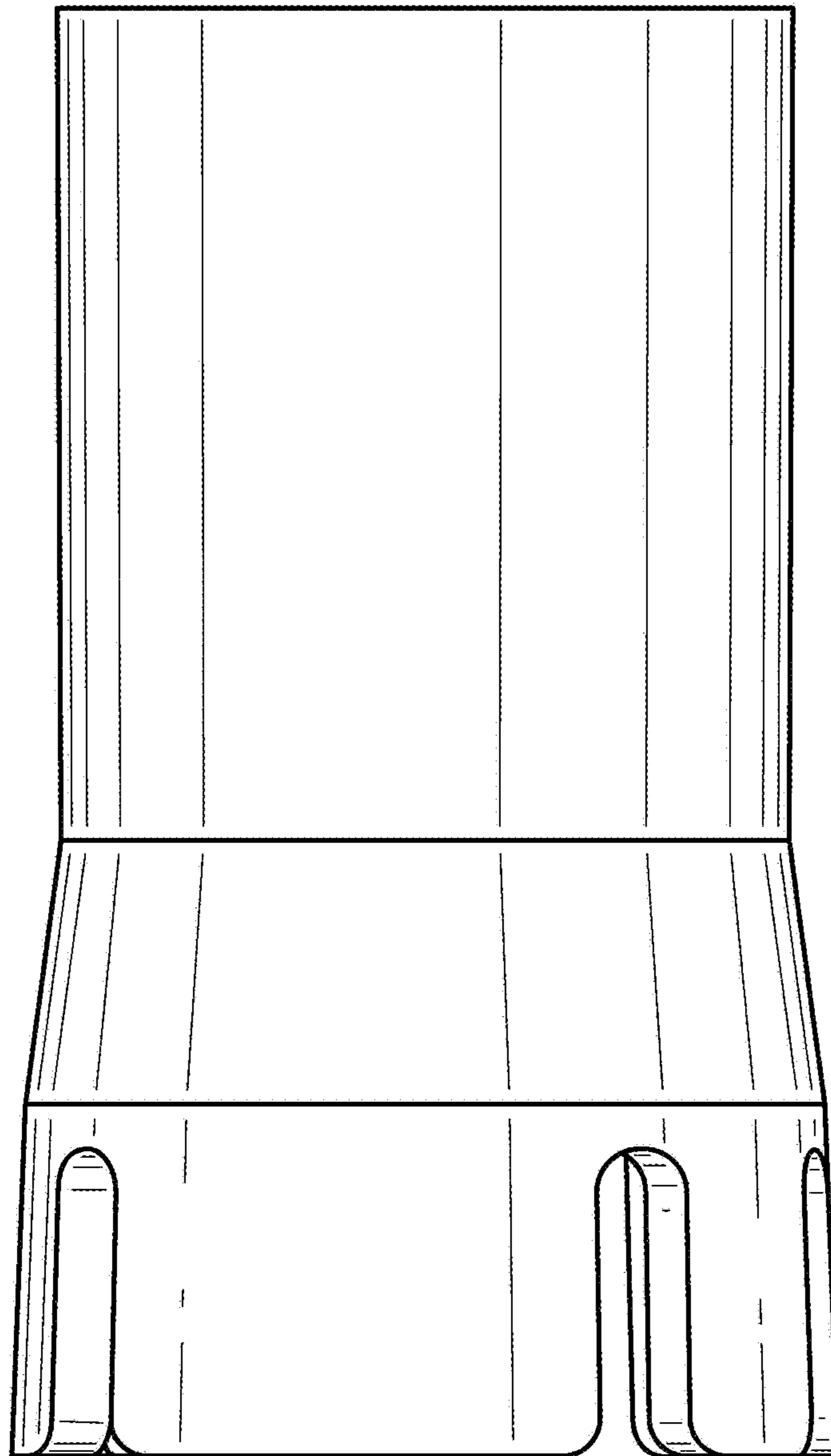


FIG. 3

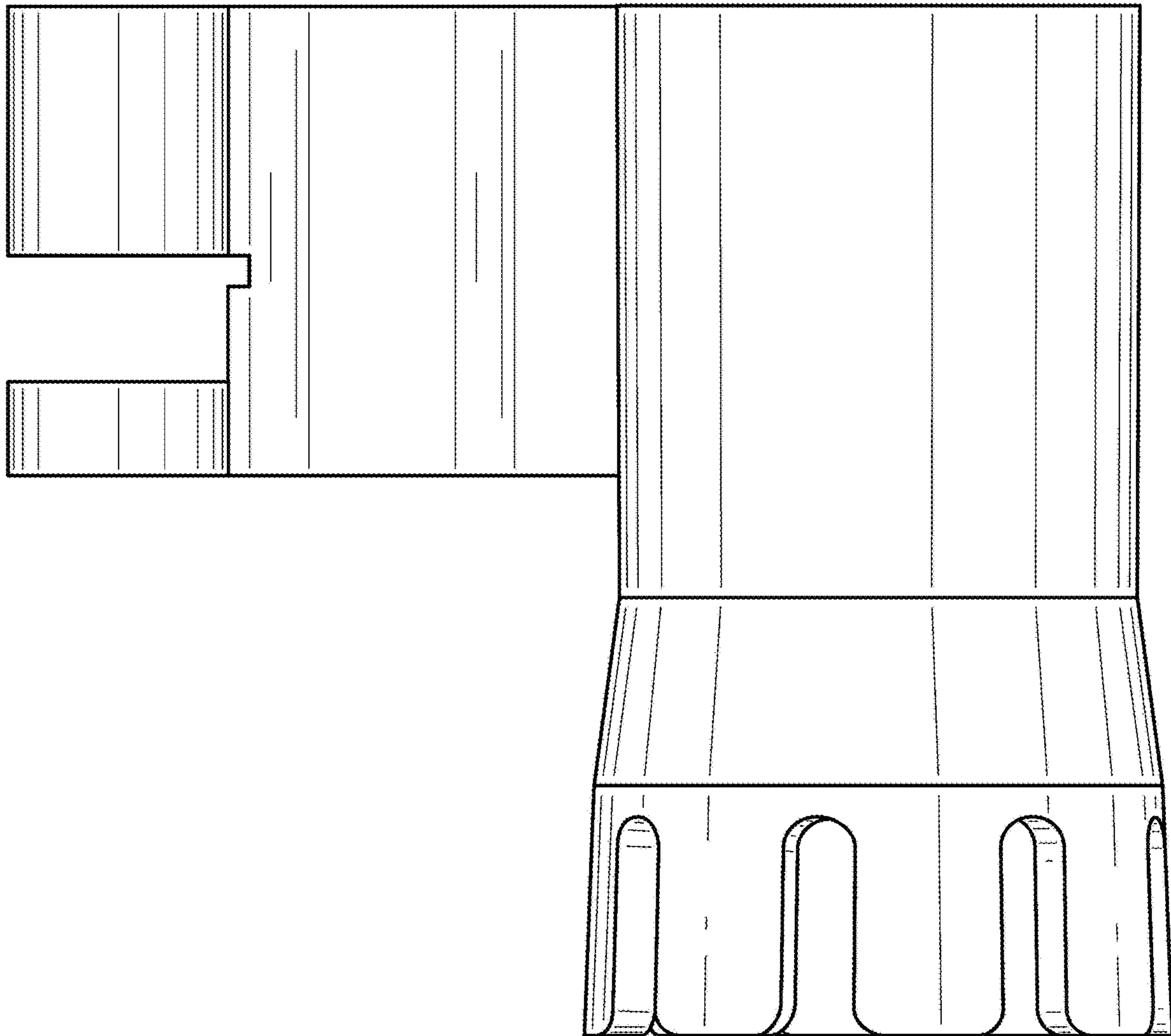


FIG. 4

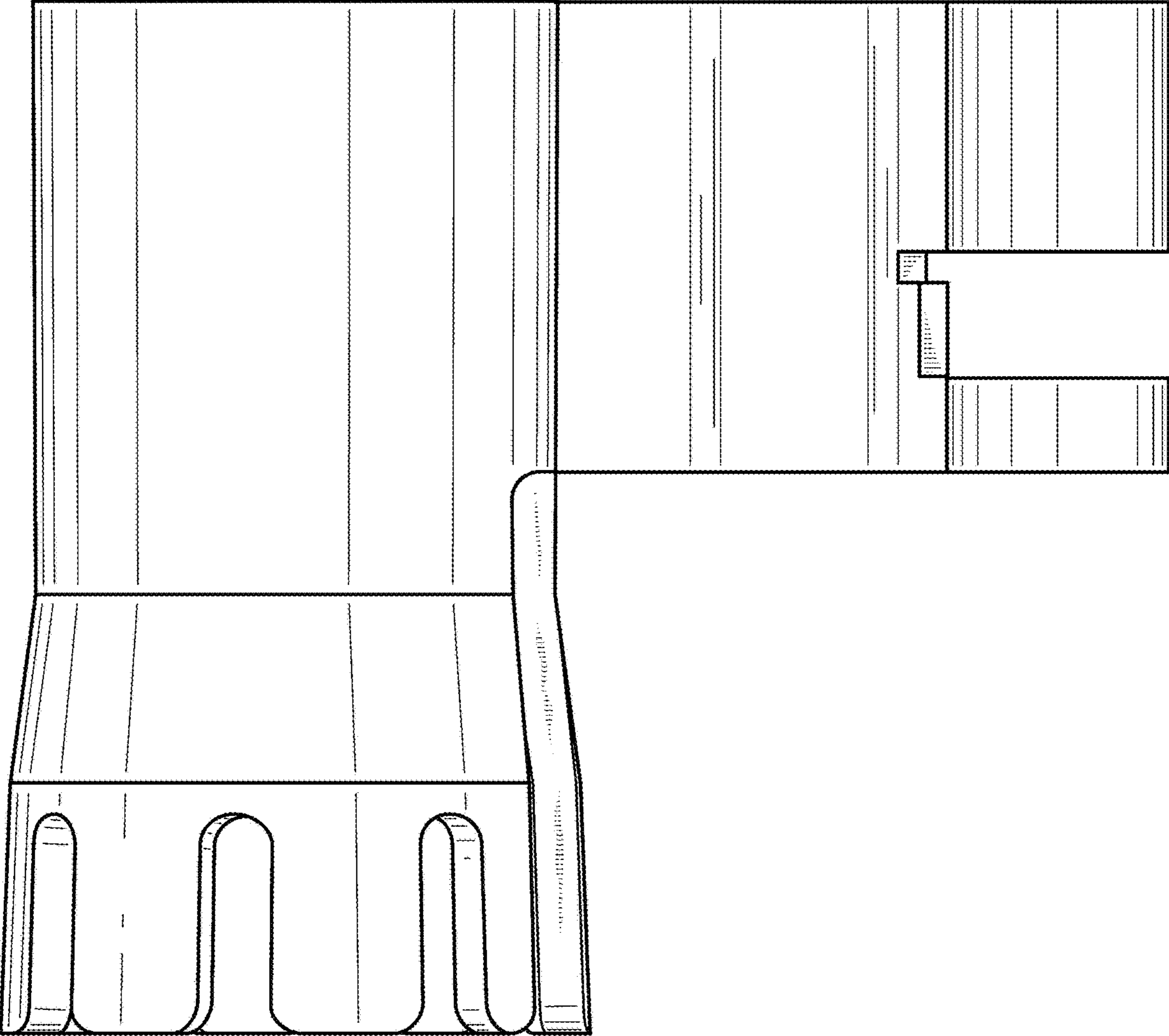


FIG. 5

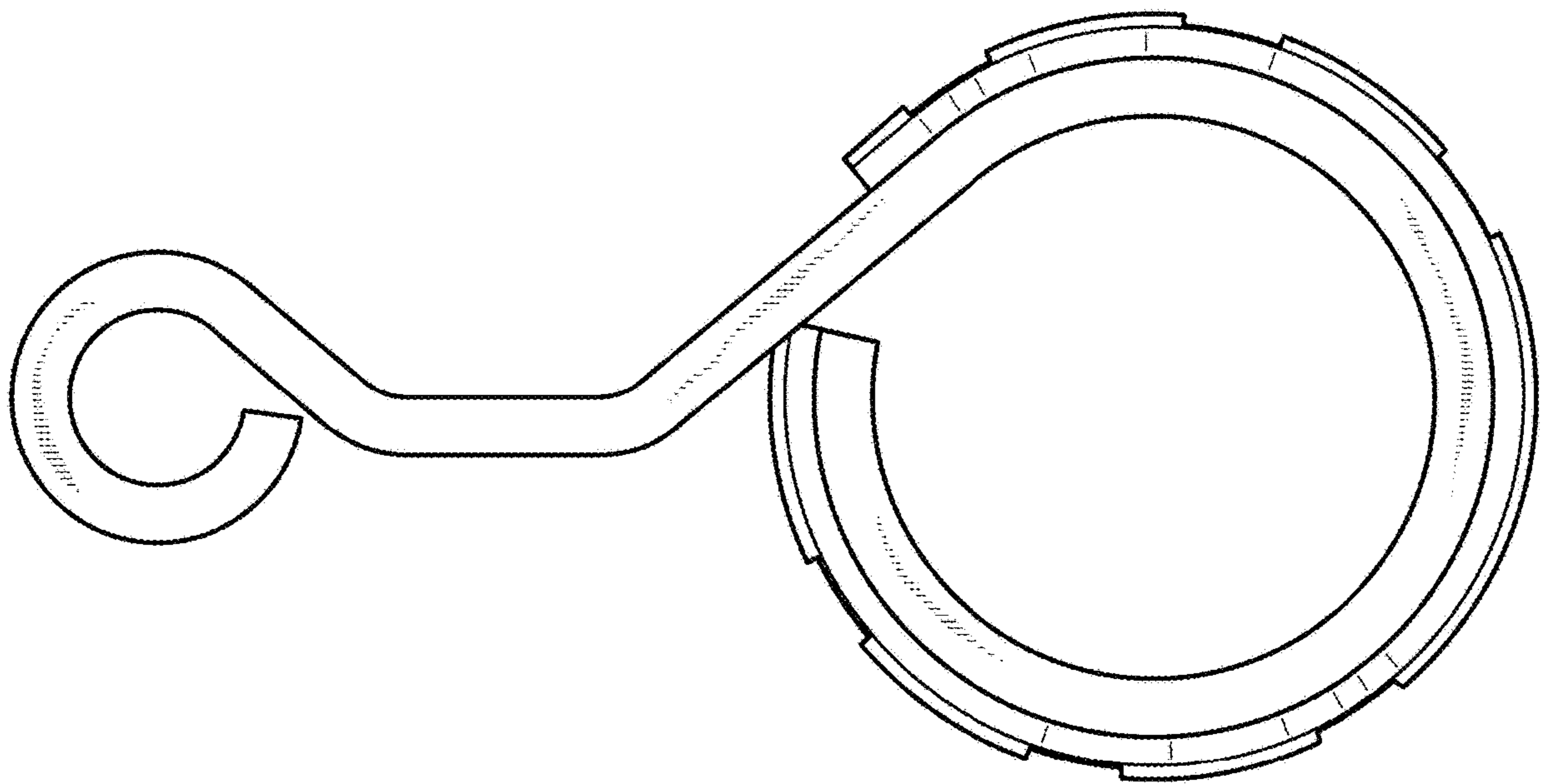


FIG. 6

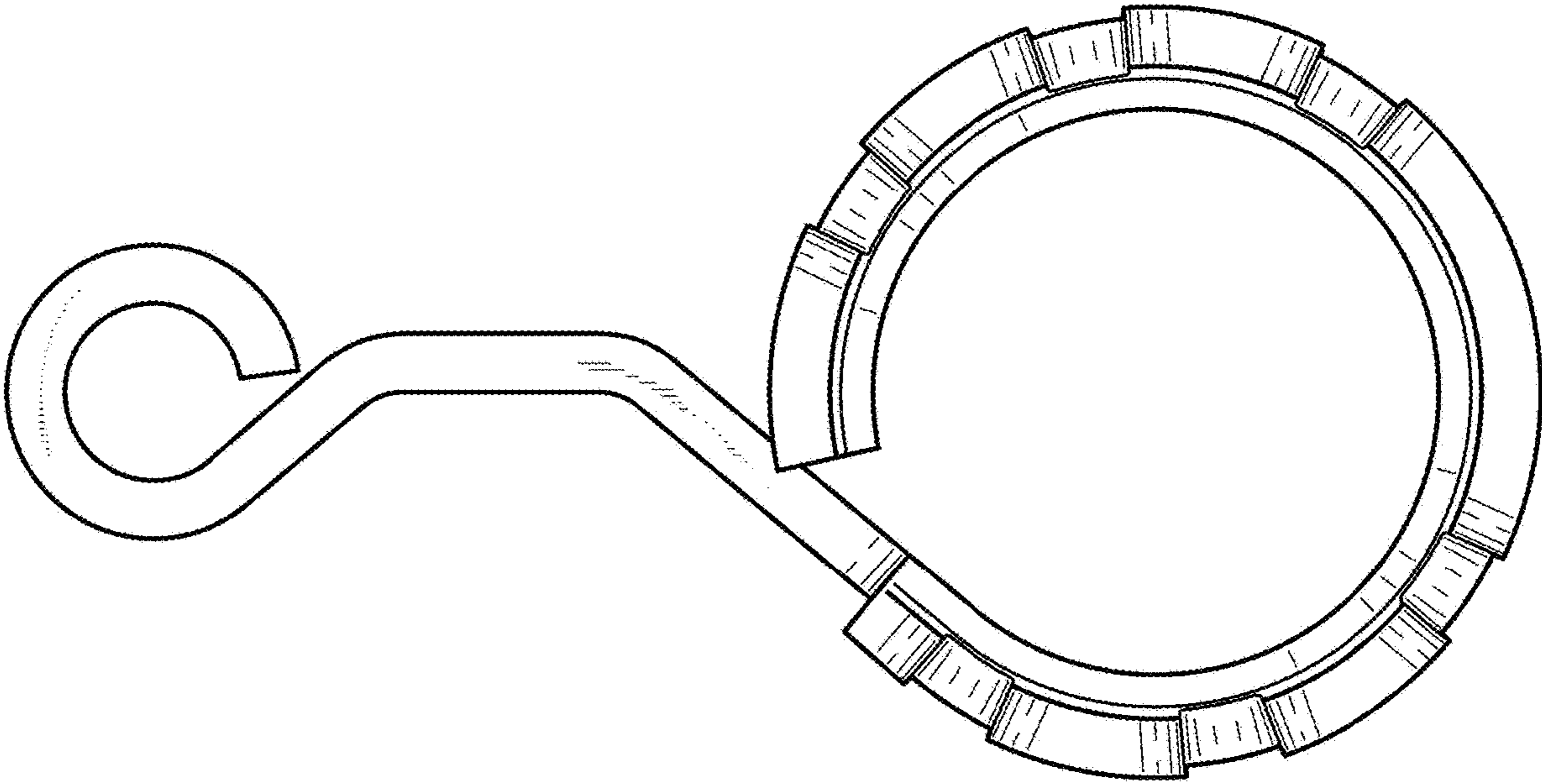


FIG. 7

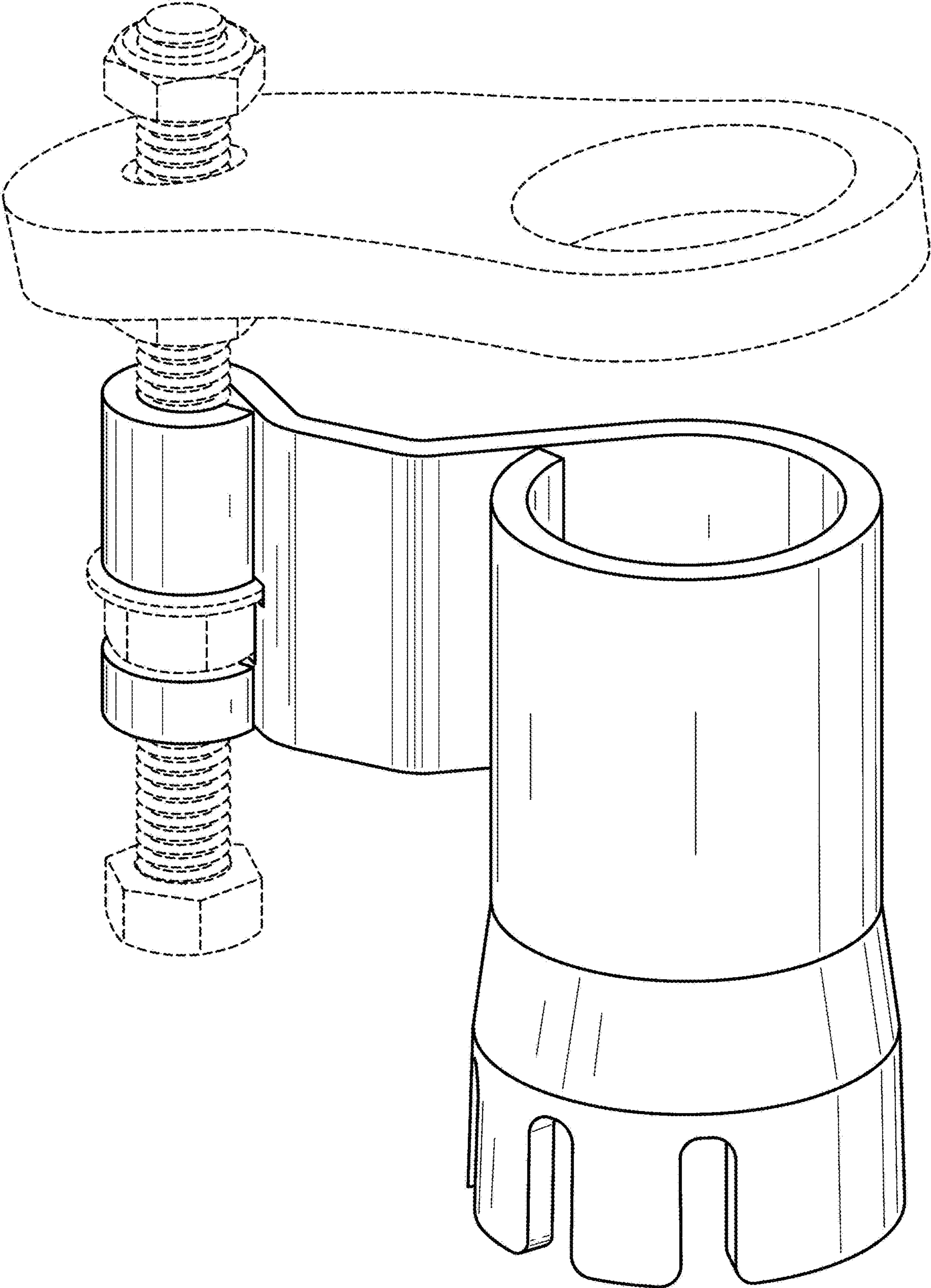


FIG. 8