



US00D963449S

(12) **United States Design Patent**
Xu

(10) **Patent No.:** **US D963,449 S**
(45) **Date of Patent:** **** Sep. 13, 2022**

- (54) **CUTTING DEVICE**
- (71) Applicant: **Wensheng Xu**, Qingdao (CN)
- (72) Inventor: **Wensheng Xu**, Qingdao (CN)
- (**) Term: **15 Years**
- (21) Appl. No.: **29/763,732**
- (22) Filed: **Dec. 23, 2020**
- (51) **LOC (13) Cl.** **08-03**
- (52) **U.S. Cl.**
USPC **D8/51; D8/98**
- (58) **Field of Classification Search**
USPC D8/14, 51, 71, 98
CPC B28D 1/327; B28D 1/325; B28D 1/223;
B23D 23/00; B23D 17/08; B23D 35/001;
B23D 35/002; Y10T 83/8818; Y10T
83/8717; Y10T 83/9447; Y10T 83/8812
See application file for complete search history.

(56) **References Cited**

U.S. PATENT DOCUMENTS

3,393,595	A *	7/1968	Halverson	B23D 21/00
					83/609
3,735,445	A *	5/1973	Jurcak	A22C 29/00
					D7/673
5,010,795	A *	4/1991	Kania	B23D 23/00
					83/611
5,038,477	A *	8/1991	Parrow	B23D 35/005
					83/609
5,251,524	A *	10/1993	Clifford	B23D 35/008
					83/462

D481,272	S *	10/2003	Jeffers	D7/693
D604,137	S *	11/2009	Ebert	D8/51
D652,704	S *	1/2012	Ebert	D8/51
8,448,553	B2 *	5/2013	Zhang	B26D 1/26
					83/609
D920,756	S *	6/2021	Blais	D8/51
2009/0151535	A1 *	6/2009	Crookton	B26D 1/30
					83/697
2009/0223067	A1 *	9/2009	Zhang	B26D 1/30
					30/294

* cited by examiner

Primary Examiner — Philip S Hyder
(74) *Attorney, Agent, or Firm* — J.C. Patents

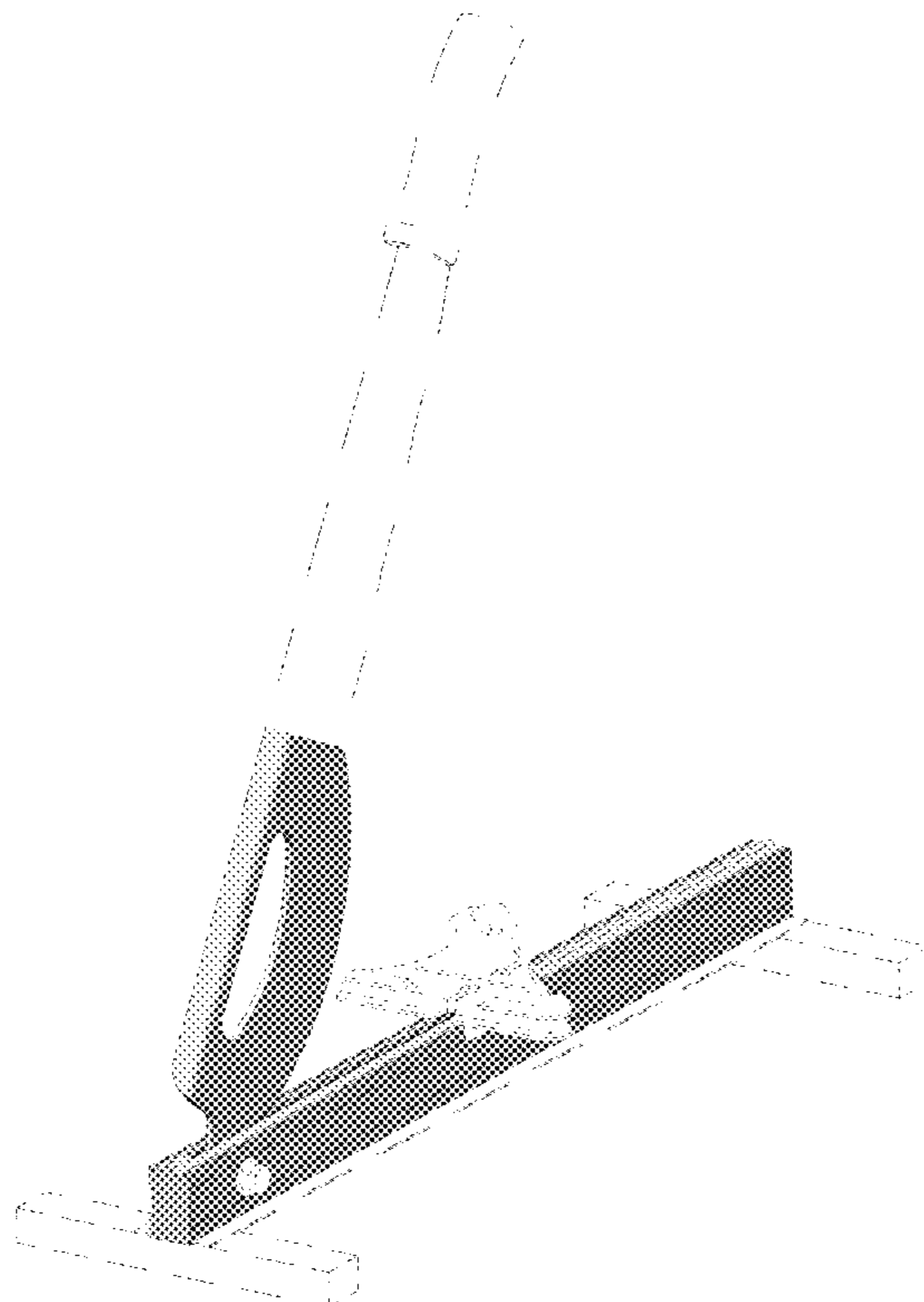
(57) **CLAIM**

The ornamental design for a cutting device, as shown and described.

DESCRIPTION

FIG. 1 is a front and left perspective view of a cutting device;
 FIG. 2 is an enlarged partial view of FIG. 1;
 FIG. 3 is a rear and right perspective view of the cutting device;
 FIG. 4 is an enlarged partial view of FIG. 3;
 FIG. 5 is an enlarged partial sectional view of the pivot area of the cutting device as shown in FIG. 3; and,
 FIG. 6 is an enlarged partial side view of the pivot area of the cutting device.
 The broken lines depict portions of the cutting device in which the design is embodied that are not considered part of the claimed design.

1 Claim, 6 Drawing Sheets



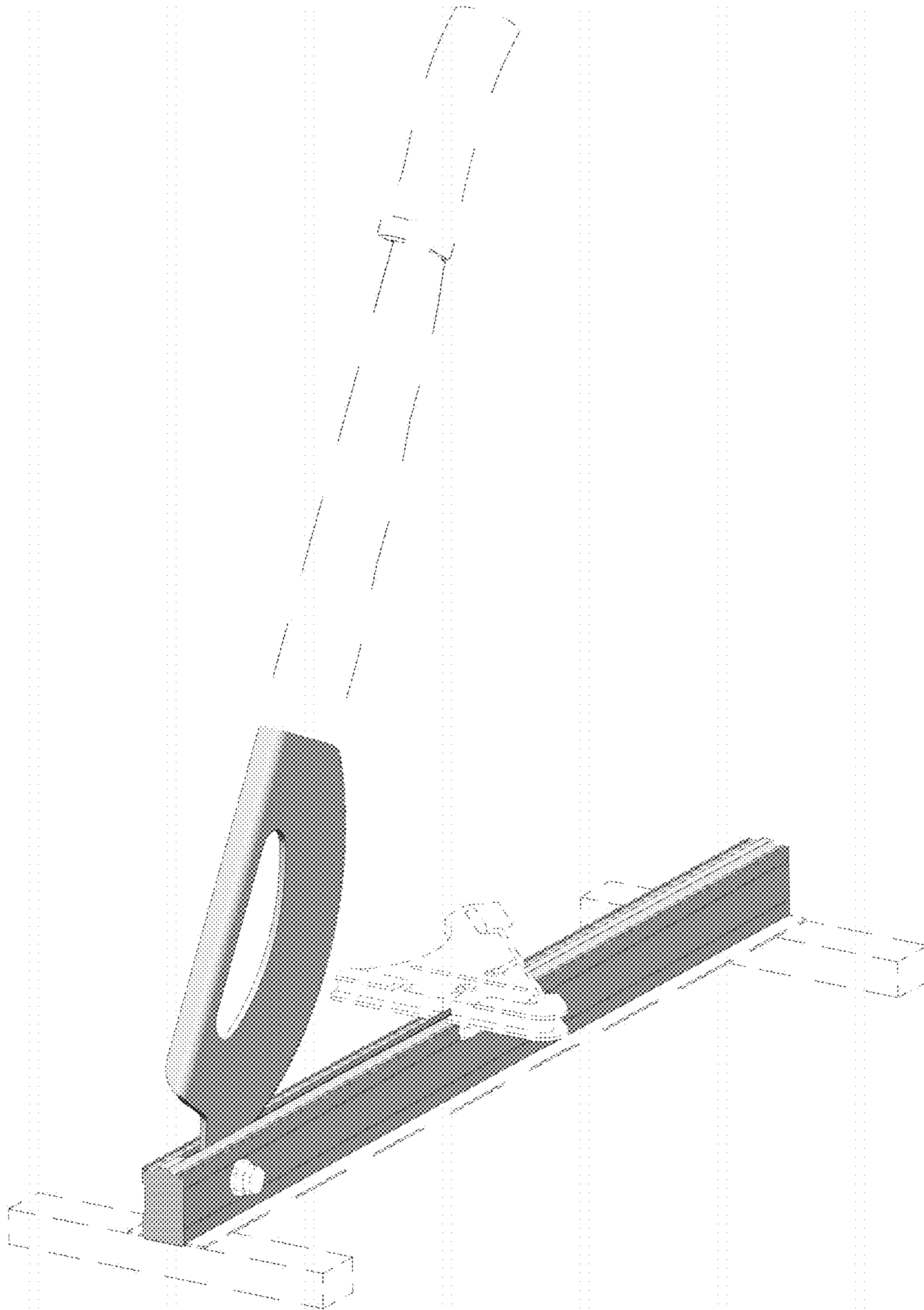


Fig. 1

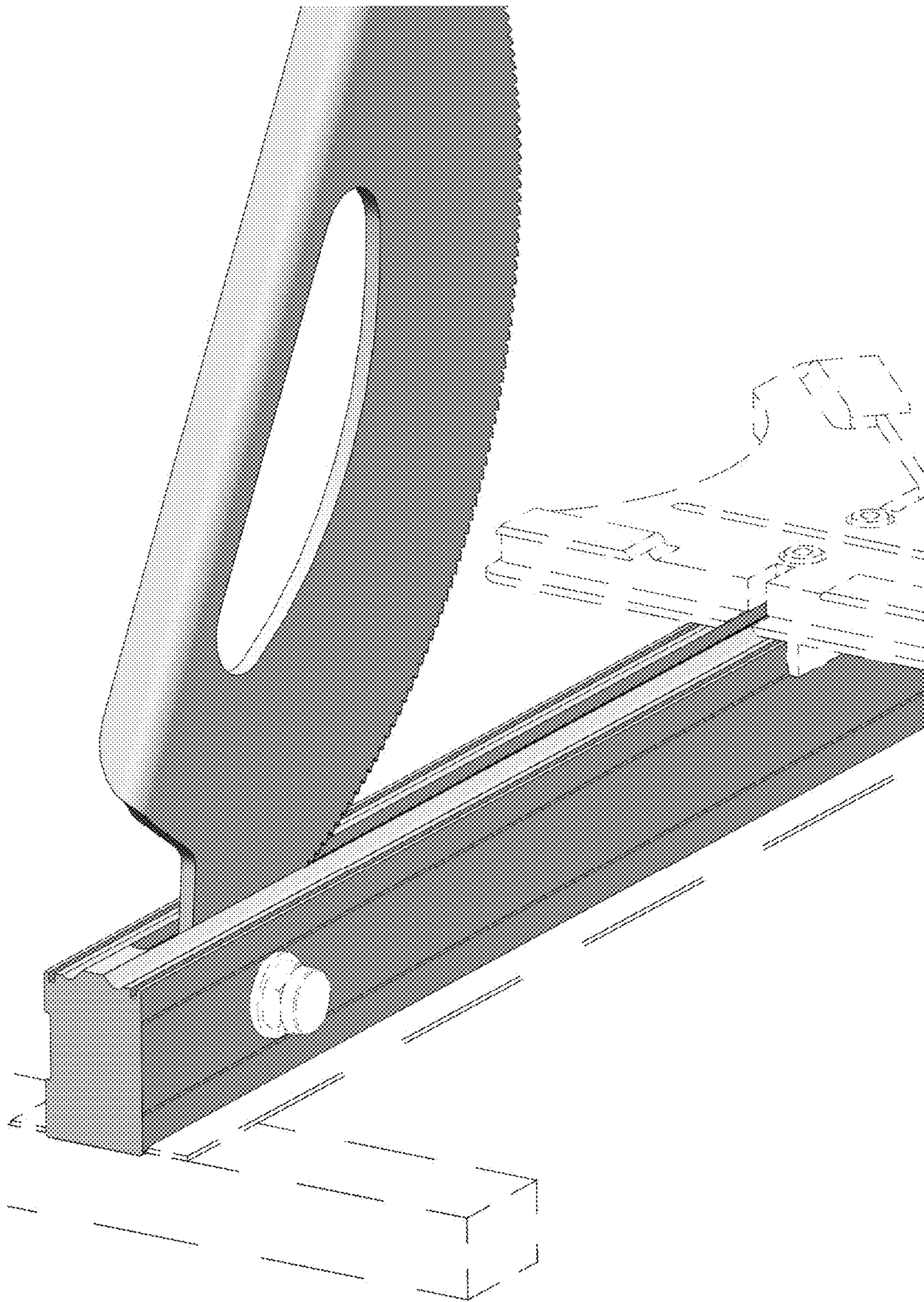


Fig. 2

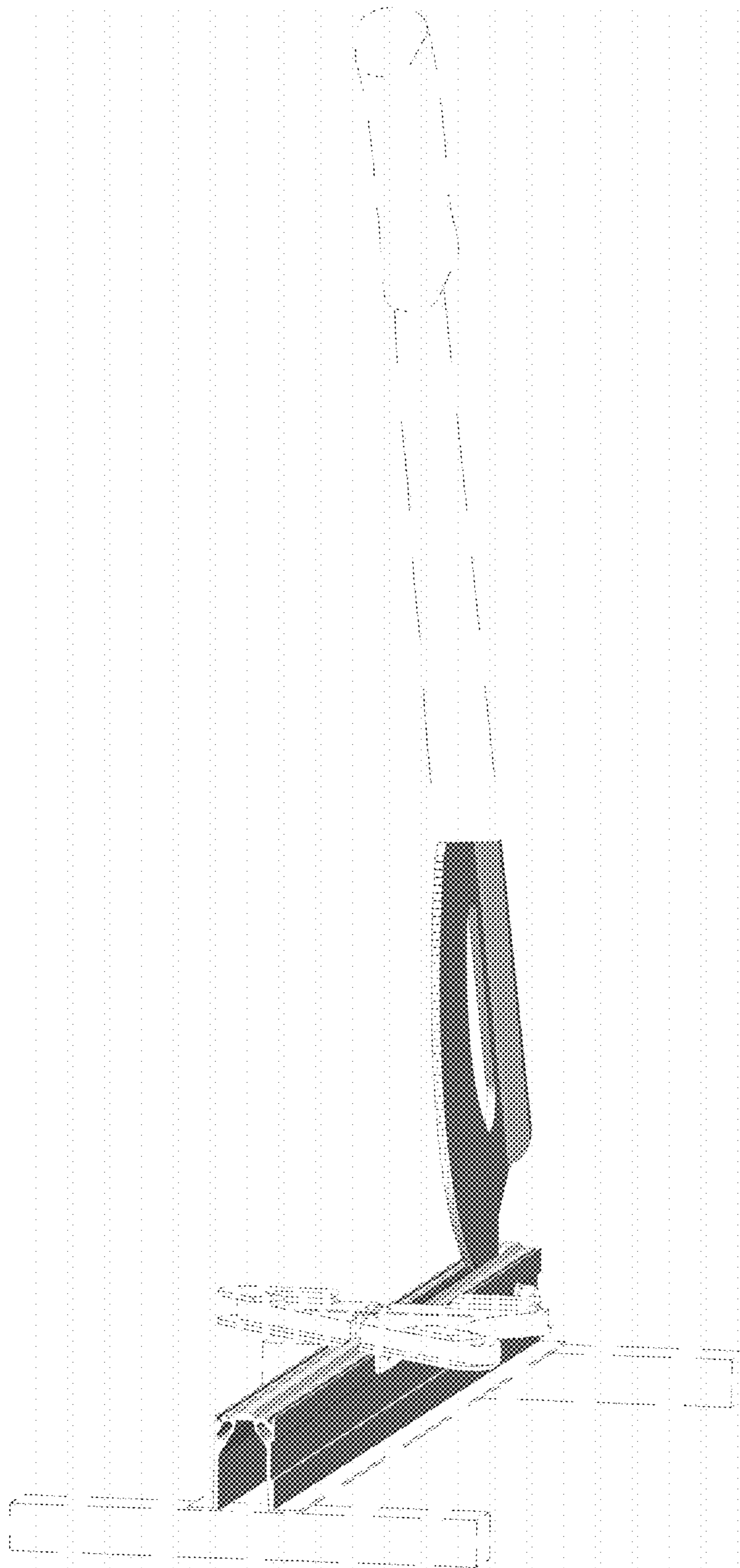


Fig. 3

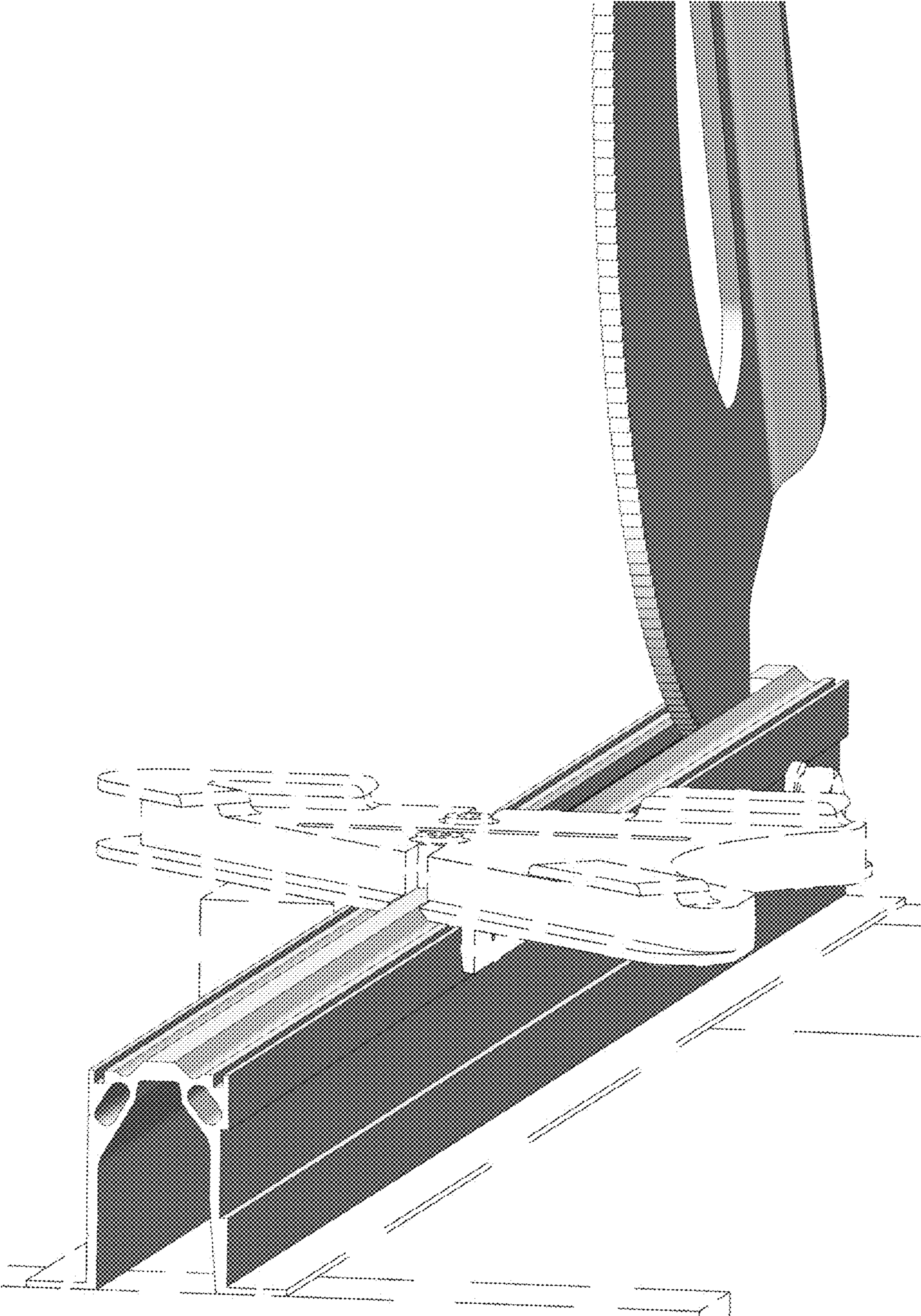


Fig. 4

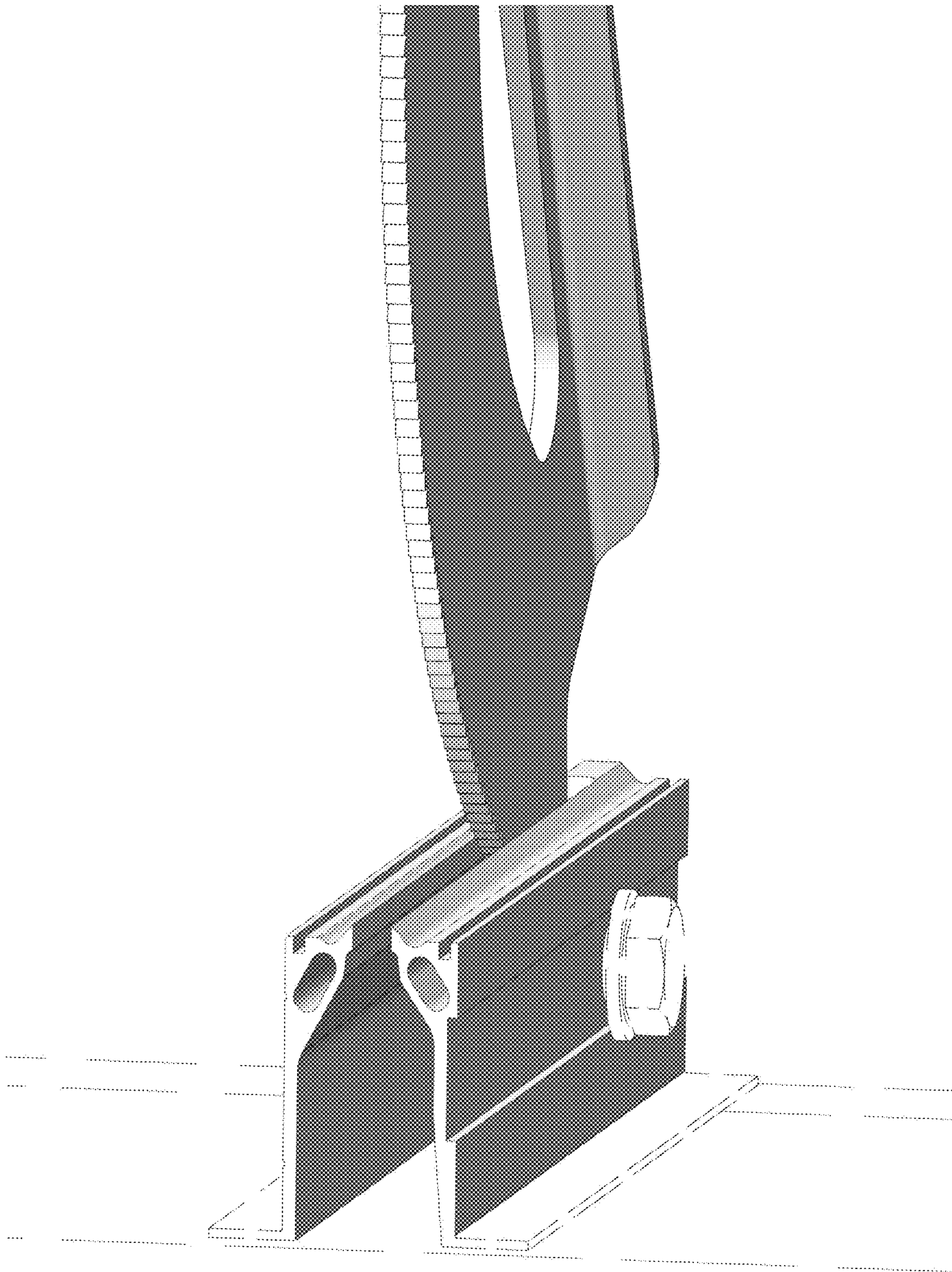


Fig. 5

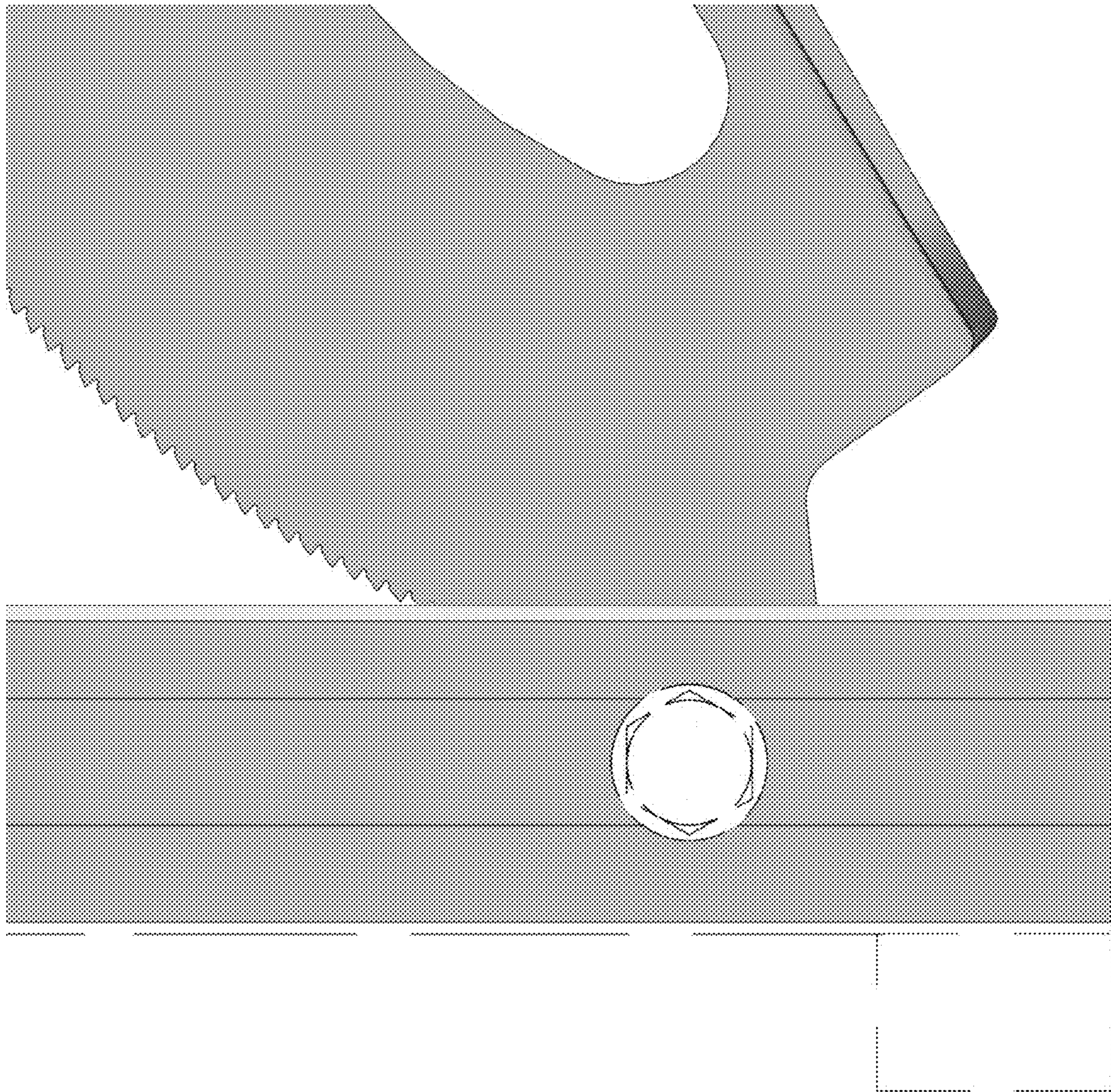


Fig. 6