



US00D963443S

(12) **United States Design Patent** (10) **Patent No.:** **US D963,443 S**  
**Tarnay** (45) **Date of Patent:** **\*\* Sep. 13, 2022**

(54) **BIKE TIRE MULTI TOOL**  
(71) Applicant: **Product Development Resource, LLC,**  
Torrance, CA (US)  
(72) Inventor: **Matthew Tarnay,** Torrance, CA (US)  
(\*\*) Term: **15 Years**  
(21) Appl. No.: **29/772,482**  
(22) Filed: **Mar. 2, 2021**

D839,377 S \* 1/2019 Cheng ..... D22/108  
D911,794 S \* 3/2021 Tarnay ..... D8/14  
2006/0137829 A1\* 6/2006 Tran ..... B60C 25/02  
157/1.17  
2010/0051204 A1\* 3/2010 Ochoa ..... B60C 25/04  
157/1.3  
2013/0068396 A1\* 3/2013 Scott ..... B60C 25/015  
157/1.3  
2013/0306245 A1\* 11/2013 White ..... B60C 25/13  
157/1.17  
2015/0239311 A1\* 8/2015 White ..... B60C 25/02  
157/1.3  
2017/0253095 A1\* 9/2017 Jones ..... B60C 25/02  
2018/0022173 A1\* 1/2018 Jensen ..... B60C 25/02  
157/1.3

**Related U.S. Application Data**

(63) Continuation-in-part of application No. 29/711,923,  
filed on Nov. 4, 2019, now Pat. No. Des. 911,794.  
(51) **LOC (13) Cl.** ..... **08-05**  
(52) **U.S. Cl.**  
USPC ..... **D8/14**  
(58) **Field of Classification Search**  
USPC ..... D8/14, 31, 51, 88, 89  
CPC ..... B60C 25/13; B60C 25/132; B60C 25/02;  
B60C 25/04  
See application file for complete search history.

\* cited by examiner

*Primary Examiner* — Philip S Hyder  
(74) *Attorney, Agent, or Firm* — Peter L. Holmes, Esq.

(57) **CLAIM**

The ornamental design for a bike tire multi tool, as shown  
and described.

**DESCRIPTION**

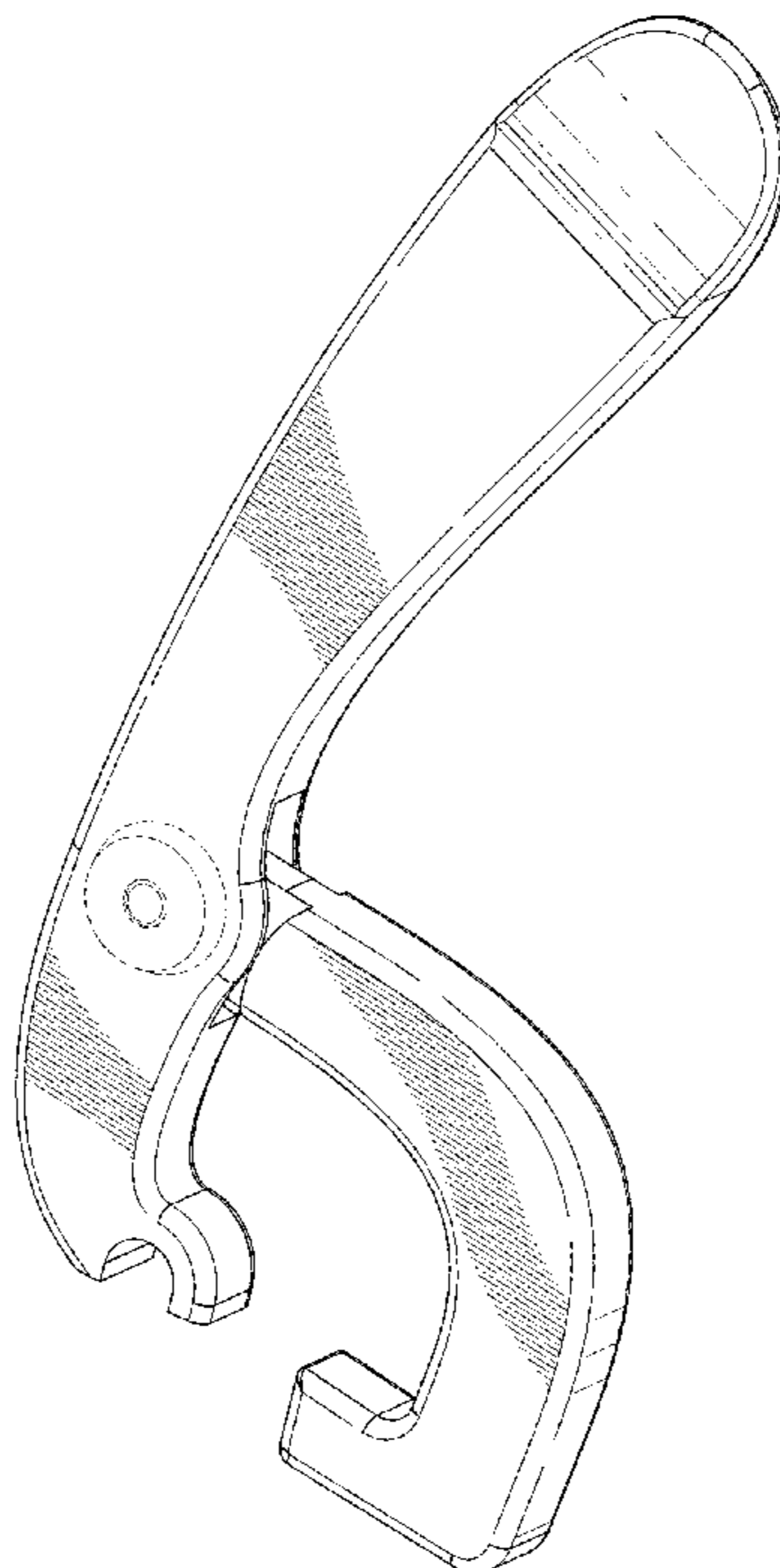
FIG. 1 is a left side perspective view of a bike tire multi tool  
showing my/our new design;  
FIG. 2 is a left side elevation view thereof;  
FIG. 3 is a right side elevation view thereof;  
FIG. 4 is a rear elevation view thereof;  
FIG. 5 is a front elevation view thereof;  
FIG. 6 is a top plan view thereof; and,  
FIG. 7 is a bottom plan view thereof.  
The broken lines are included for purposes of illustrating  
portions of the bike tire multi tool article embodying the  
design and form no part of the claimed design.

(56) **References Cited**

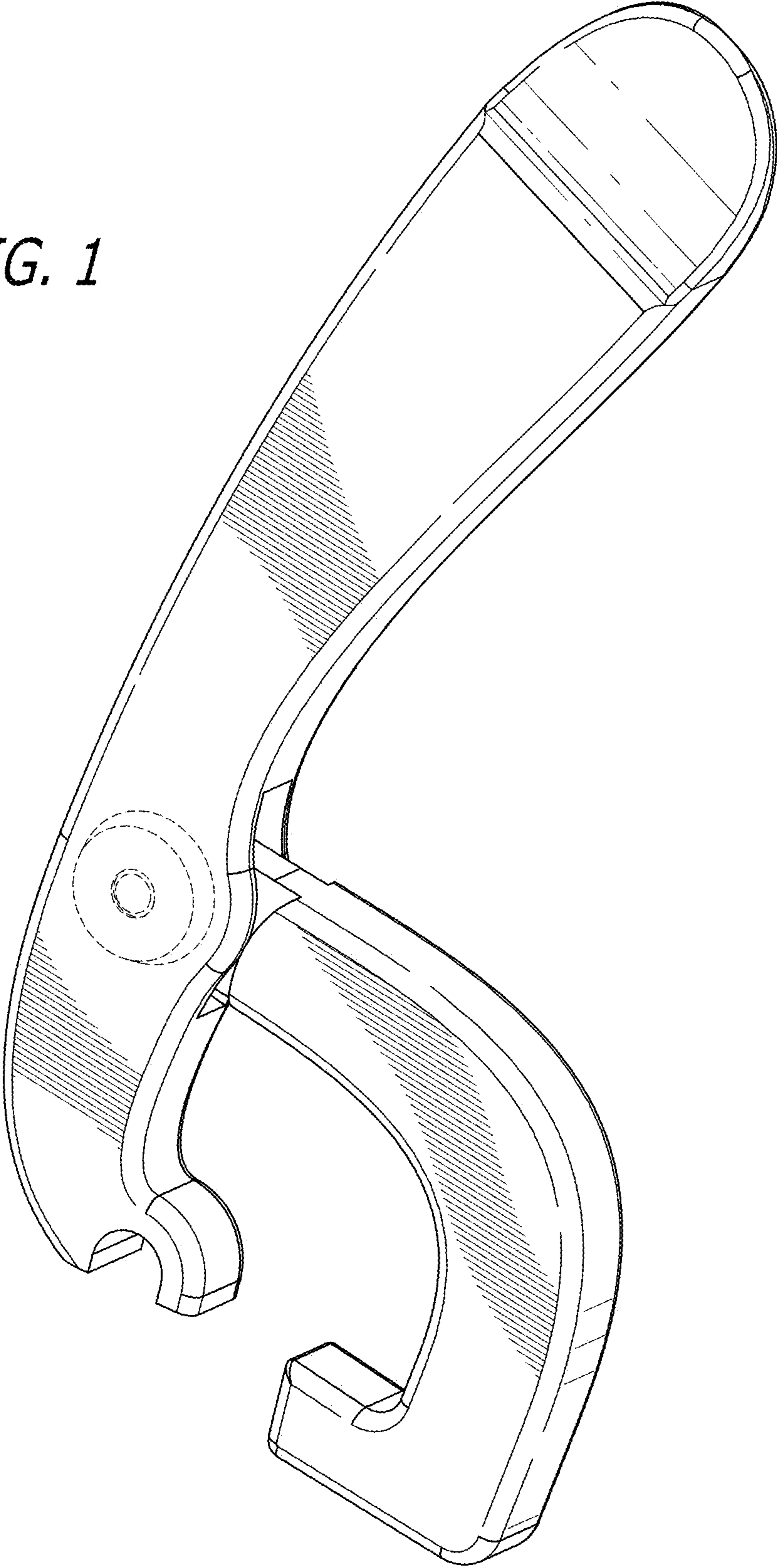
**U.S. PATENT DOCUMENTS**

2,518,114 A \* 8/1950 Barber ..... B60C 25/02  
157/1.17  
2,660,229 A \* 11/1953 Taylor ..... B60C 25/02  
157/1.17  
5,069,090 A \* 12/1991 Clark ..... B67B 7/14  
81/3.09  
5,143,134 A \* 9/1992 Tran ..... B60C 25/02  
157/1.3  
D721,556 S \* 1/2015 Scott ..... D8/31

**1 Claim, 5 Drawing Sheets**



*FIG. 1*



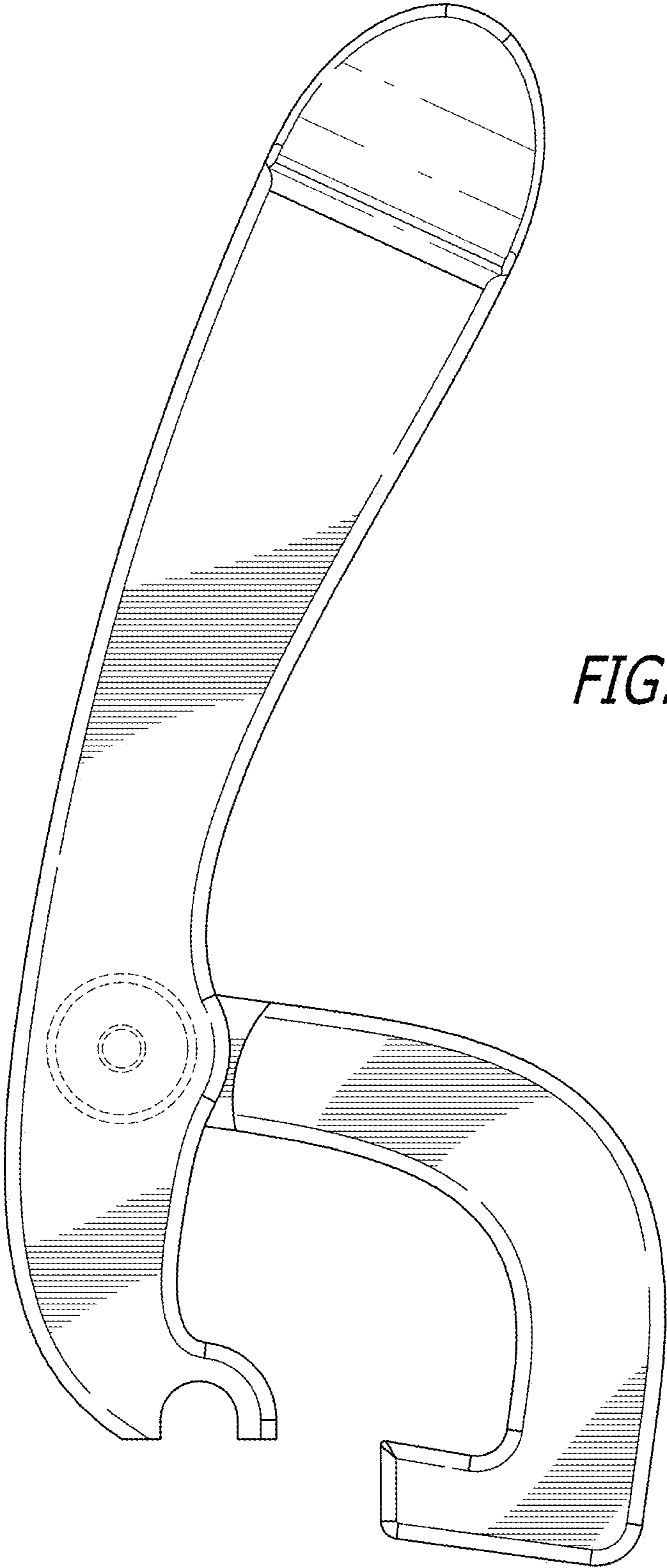
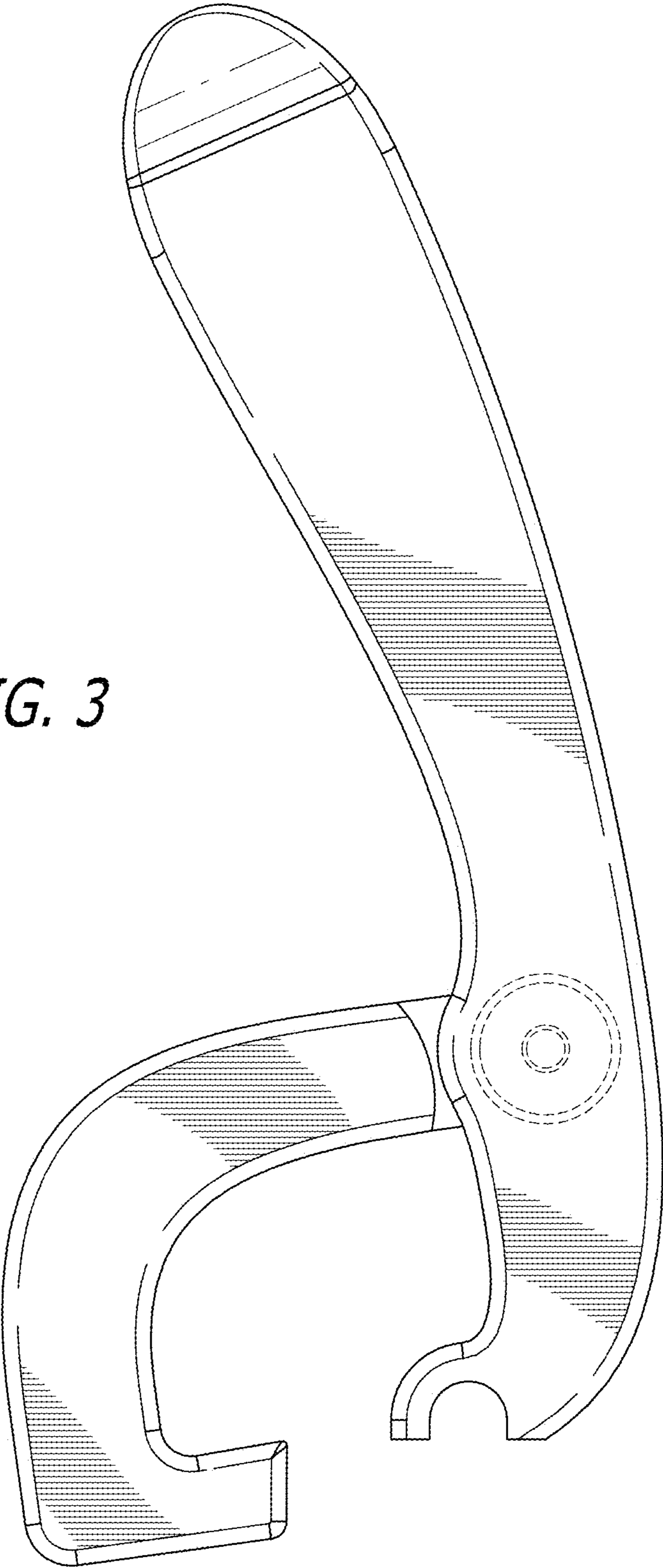
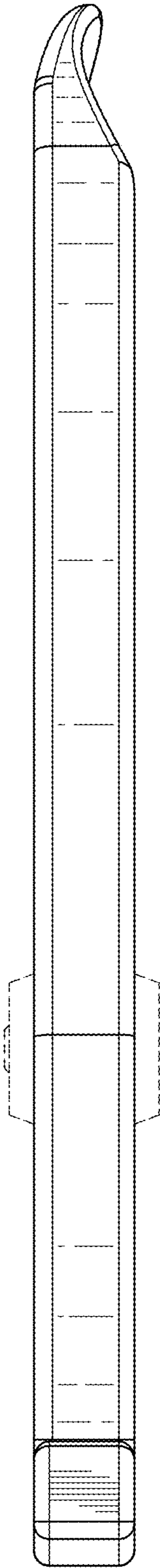


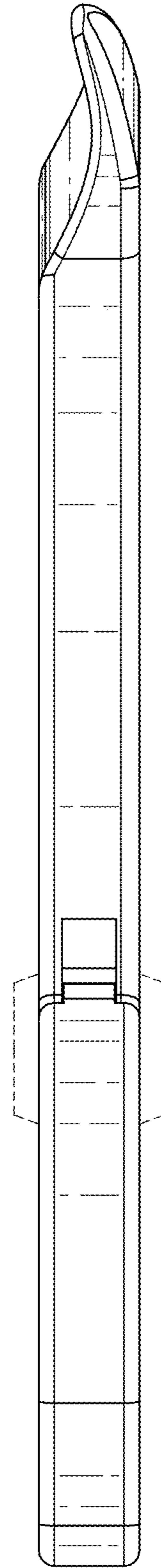
FIG. 2

*FIG. 3*

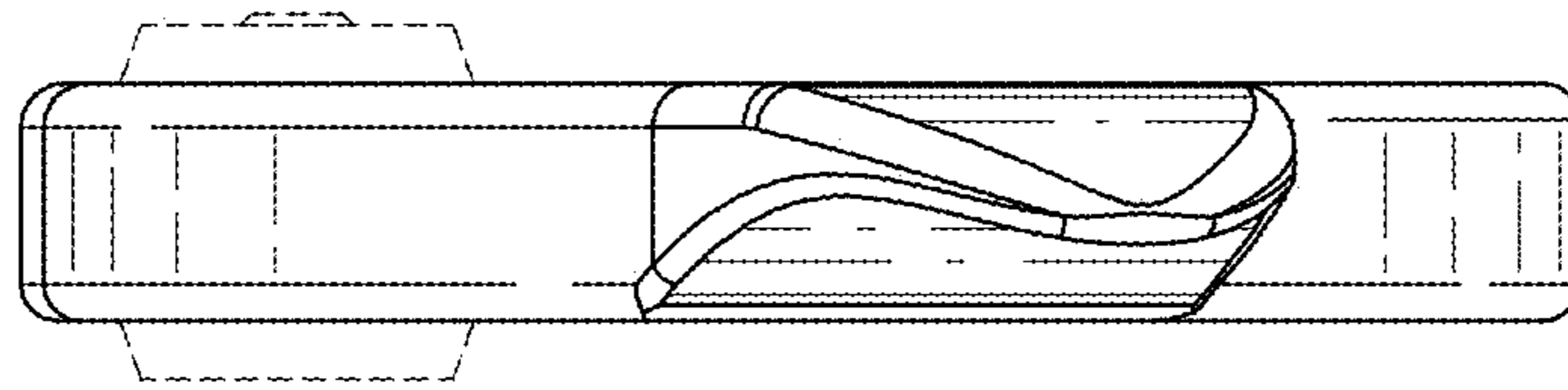




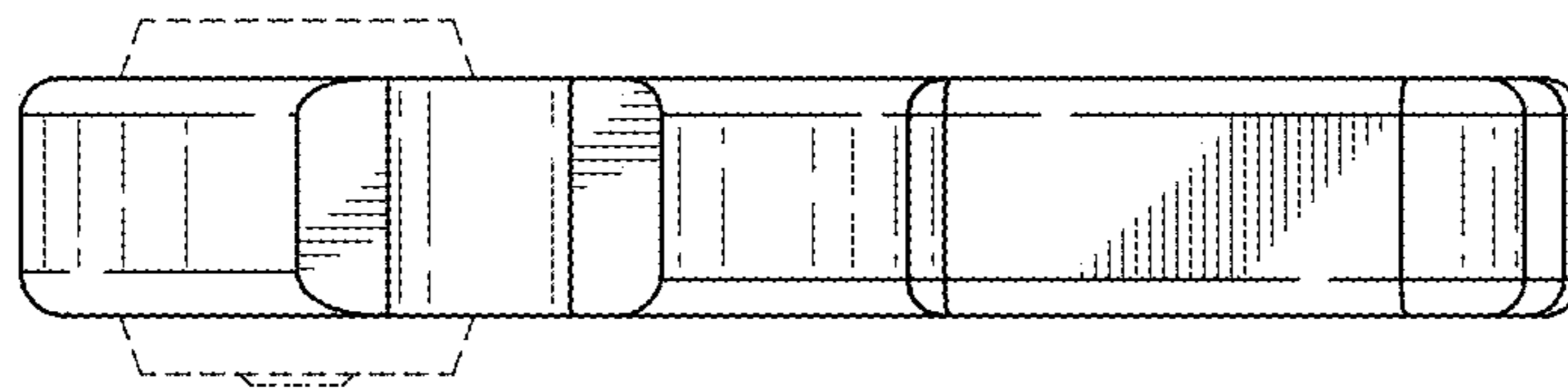
*FIG. 4*



*FIG. 5*



*FIG. 6*



*FIG. 7*