



US00D963442S

(12) **United States Design Patent**
Harpster

(10) **Patent No.:** **US D963,442 S**

(45) **Date of Patent:** **** Sep. 13, 2022**

(54) **INSTALLATION PANEL FOR MATS**

(71) Applicant: **New Pig Corporation**, Tipton, PA (US)

(72) Inventor: **Gregory R. Harpster**, Pine Grove Mills, PA (US)

(73) Assignee: **New Pig Corporation**, Tipton, PA (US)

(**) Term: **15 Years**

(21) Appl. No.: **29/767,422**

(22) Filed: **Jan. 22, 2021**

(51) **LOC (13) Cl.** **08-05**

(52) **U.S. Cl.**
USPC **D8/14**

(58) **Field of Classification Search**
USPC D8/14, 17, 19, 45; D10/70, 64; D32/46
CPC . A47L 1/06; A47L 13/11; A47L 13/08; A47L 13/022; B65H 37/05; Y10T 156/1788
See application file for complete search history.

(56) **References Cited**

U.S. PATENT DOCUMENTS

3,676,888	A *	7/1972	Akers	B44D 3/105
					15/245
3,788,274	A *	1/1974	McNaughton	B05B 12/28
					118/504
D316,665	S *	5/1991	Lueth	D8/358
D364,177	S *	11/1995	Lewis	D15/138
D422,124	S *	3/2000	Rimback	D32/41
D532,741	S *	11/2006	Lin	D32/46
D625,064	S *	10/2010	Lee	D32/42
D626,392	S *	11/2010	Amodeo	D8/19
D659,014	S *	5/2012	Blythe	D9/709

D717,744	S *	11/2014	Mueller	D13/179
D735,545	S *	8/2015	Rampling	D8/45
D736,576	S *	8/2015	Parr	D7/693
D816,443	S *	5/2018	Patenaude	D8/14
D899,950	S *	10/2020	Cross	D10/71
D921,463	S *	6/2021	Cranor	D8/45

OTHER PUBLICATIONS

New Pig website. Installation too and cutting guide for Adhesive backed Mat.*

* cited by examiner

Primary Examiner — Philip S Hyder

(74) *Attorney, Agent, or Firm* — Alan G. Towner; Leech Tishman Fuscaldo & Lampl

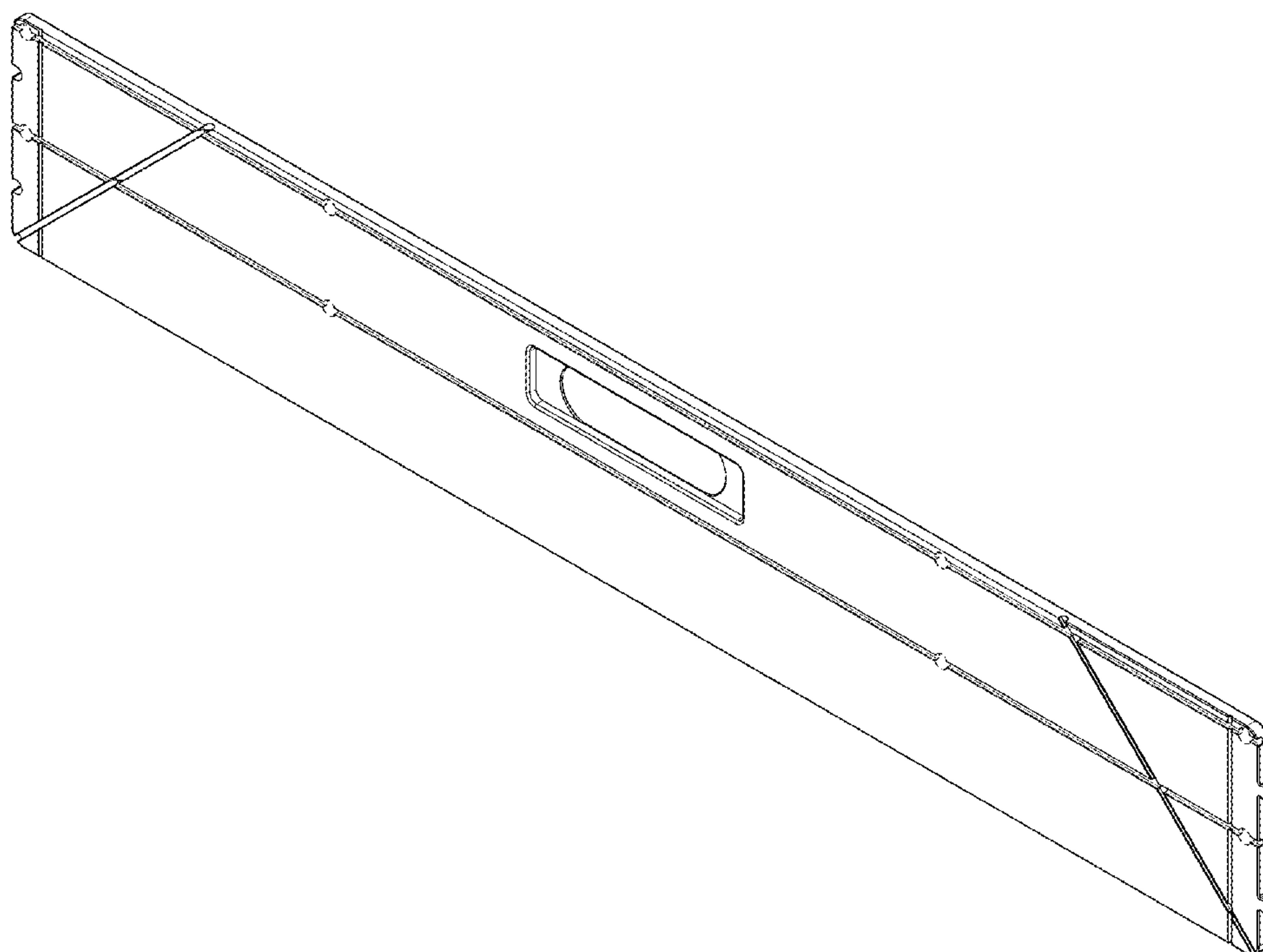
(57) **CLAIM**

The ornamental design for an installation panel for mats, as shown and described.

DESCRIPTION

FIG. 1 is a top perspective view of an installation panel for mats showing my new design;
FIG. 2 is a bottom perspective view thereof;
FIG. 3 is a top view thereof;
FIG. 4 is a bottom view thereof;
FIG. 5 is a front view thereof;
FIG. 6 is a rear view thereof;
FIG. 7 is a left side view thereof; and,
FIG. 8 is a right side view thereof.
The broken lines depict portions of the installation panel for mats in which the design is embodied and form no part of the claimed design.

1 Claim, 4 Drawing Sheets



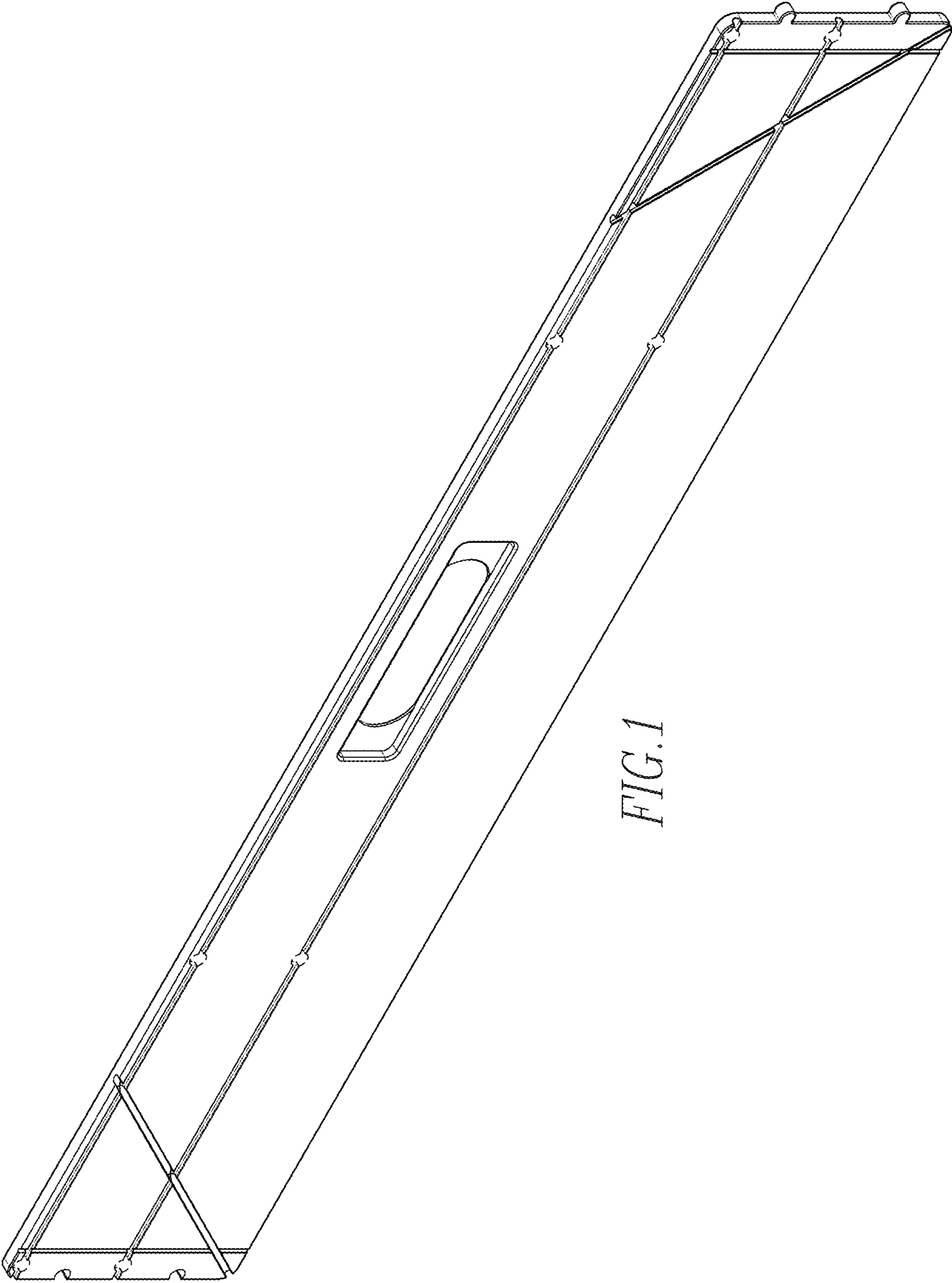


FIG. 1

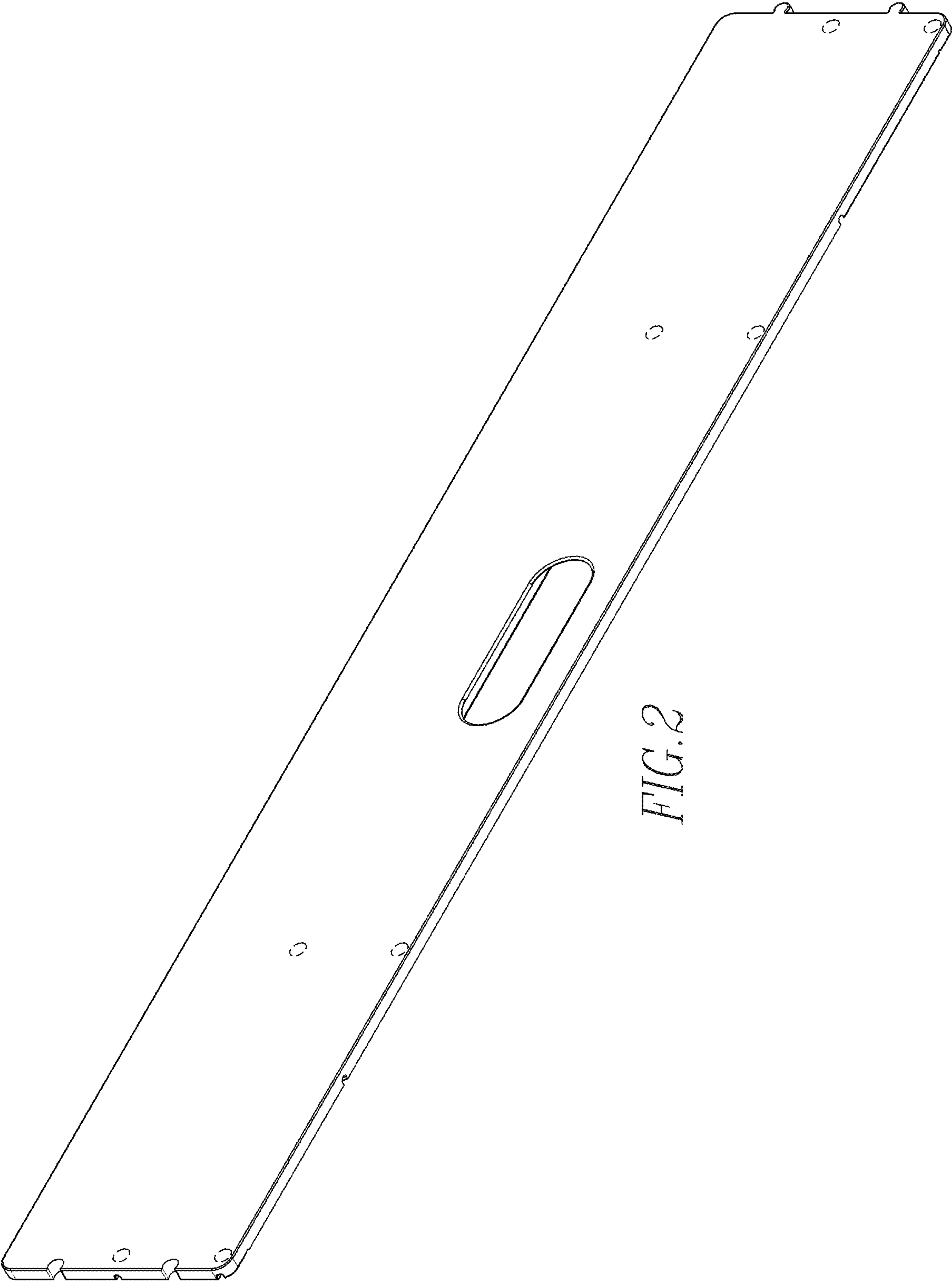


FIG. 2

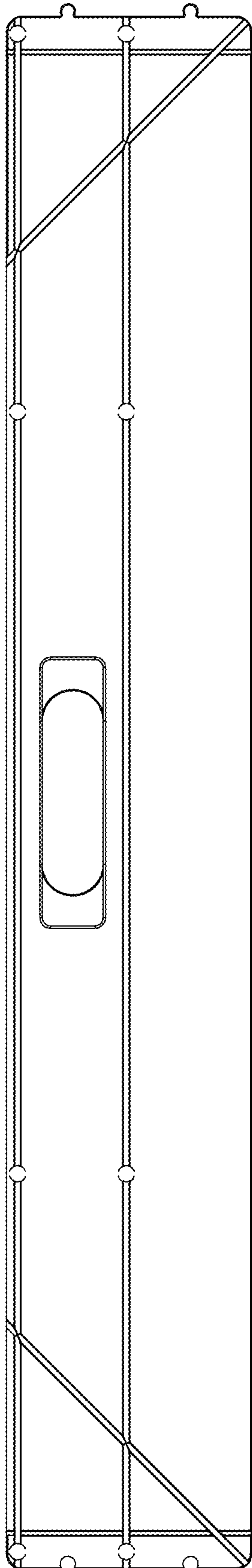


FIG. 3

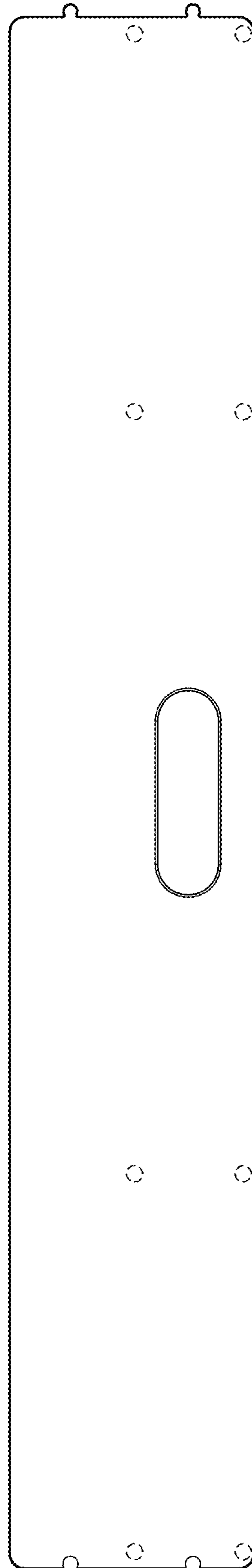


FIG. 4



FIG. 6



FIG. 5



FIG. 7



FIG. 8