



US00D963441S

(12) **United States Design Patent**
Lofley, Jr.

(10) **Patent No.:** **US D963,441 S**
(45) **Date of Patent:** **** Sep. 13, 2022**

- (54) **TOOL**
- (71) Applicant: **Robert G. Lofley, Jr.**, Ocala, FL (US)
- (72) Inventor: **Robert G. Lofley, Jr.**, Ocala, FL (US)
- (**) Term: **15 Years**
- (21) Appl. No.: **29/753,832**
- (22) Filed: **Oct. 2, 2020**

Related U.S. Application Data

- (60) Continuation-in-part of application No. 29/708,229, filed on Oct. 4, 2019, now Pat. No. Des. 922,838, which is a continuation-in-part of application No. 29/568,893, filed on Jun. 22, 2016, now Pat. No. Des. 871,174, which is a division of application No. 29/477,269, filed on Dec. 20, 2013, now Pat. No. Des. 760,564, which is a continuation-in-part of application No. 29/439,382, filed on Dec. 10, 2012, now Pat. No. Des. 786,638, which is a continuation-in-part of application No. 29/414,965, filed on Mar. 6, 2012, now Pat. No. Des. 676,735, which is a continuation-in-part of application No. 29/373,451, filed on Apr. 11, 2011, now Pat. No. Des. 663,193.

- (51) **LOC (13) Cl.** **08-05**
- (52) **U.S. Cl.**
USPC **D8/14**
- (58) **Field of Classification Search**
USPC D8/14, 88, 89, 76, 77, 105
CPC B25G 1/04; F16B 7/1472; B66F 19/00
See application file for complete search history.

(56) **References Cited**

U.S. PATENT DOCUMENTS

- 684,858 A 10/1901 Pearson
- 872,271 A 10/1907 Benet
- 918,579 A 4/1909 Murch

- 1,365,851 A 1/1921 Reynolds
- 1,726,372 A 8/1929 Stoll
- 4,076,213 A 2/1978 Payson
- 4,577,837 A 3/1986 Berg et al.
- 4,646,378 A 3/1987 Borden
- 4,715,252 A 12/1987 Pella
- 4,918,896 A 4/1990 Wiese
- 4,991,469 A 2/1991 Pella
- 5,433,551 A 7/1995 Gordon
- 5,481,950 A 1/1996 Browning
- 5,625,923 A 5/1997 Huang
- 5,811,688 A 9/1998 Marsh et al.
- 6,182,539 B1 2/2001 Webster
- 6,213,672 B1 4/2001 Varga
- 6,254,305 B1 7/2001 Taylor
- 6,347,777 B1 2/2002 Webber
- 6,461,074 B2 10/2002 Taylor

(Continued)

OTHER PUBLICATIONS

U.S. Appl. No. 13/616,293, Robert G. Lofley, Sr., et al.
(Continued)

Primary Examiner — Philip S Hyder
(74) *Attorney, Agent, or Firm* — Frijouf, Rust & Pyle, P.A.

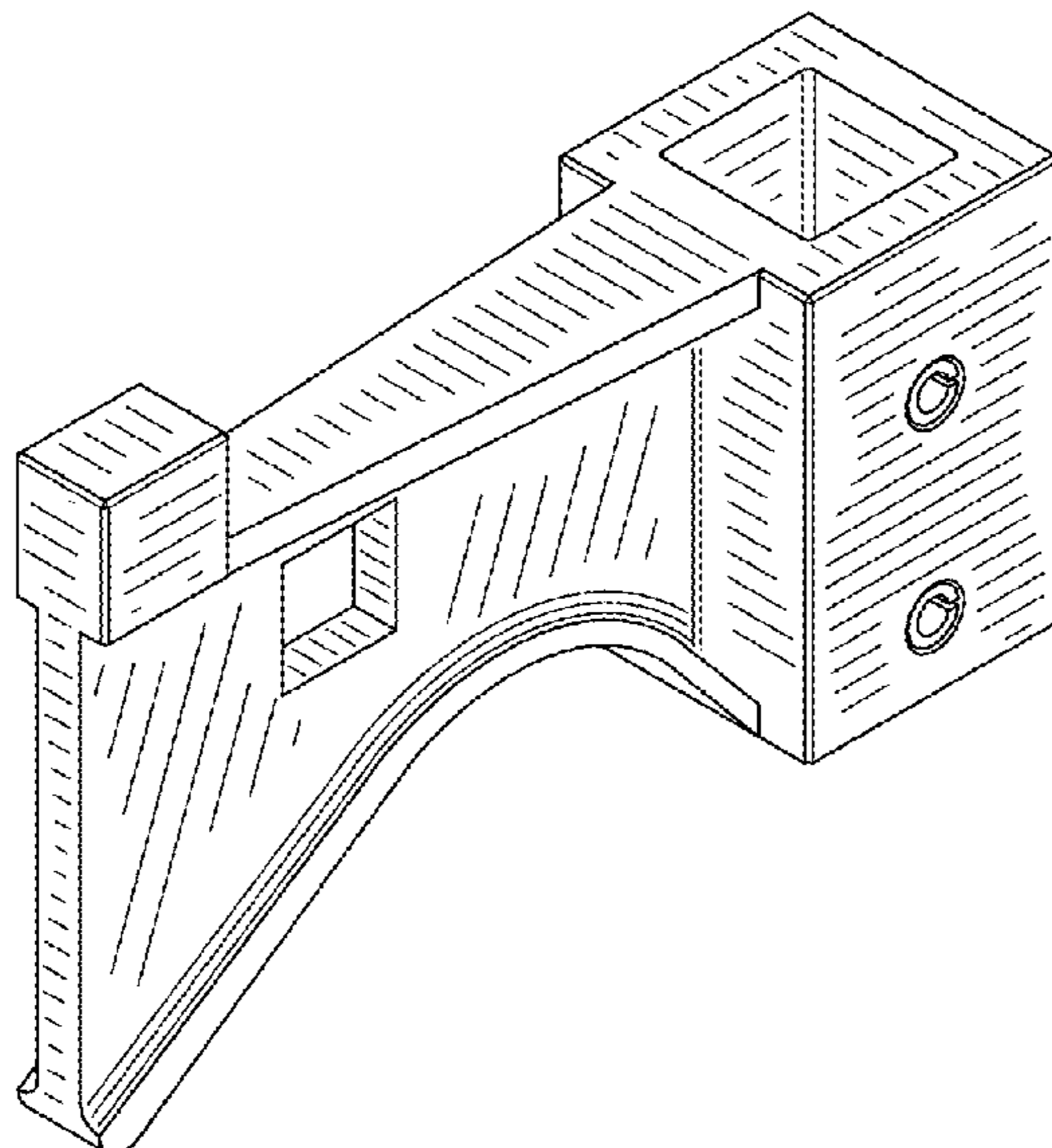
(57) **CLAIM**

The ornamental design for a tool, as shown and described.

DESCRIPTION

FIG. 1 is a right front perspective view of my new design for a tool head;
FIG. 2 is a right rear perspective view of FIG. 1;
FIG. 3 is a right side view of FIG. 1;
FIG. 4 is a left side view of FIG. 1;
FIG. 5 is a top view of FIG. 1;
FIG. 6 is a bottom view of FIG. 1;
FIG. 7 is a front view FIG. 1; and,
FIG. 8 is a rear view of FIG. 1.

1 Claim, 3 Drawing Sheets



(56)

References Cited

U.S. PATENT DOCUMENTS

6,682,209 B2 1/2004 Drake et al.
6,951,185 B1 10/2005 Wiese
7,025,015 B2 4/2006 Wilcox et al.
7,040,832 B2 5/2006 Hsieh
7,097,380 B2 8/2006 Lee
7,111,574 B2 9/2006 Slatter
7,293,934 B1 11/2007 Hwang
7,311,061 B1 12/2007 Wiese
D663,193 S 7/2012 Lofley, Sr. et al.
D676,735 S 2/2013 Lofley, Sr. et al.
8,434,802 B2 5/2013 Lofley, Sr. et al.
8,469,425 B1 6/2013 Lofley, Sr. et al.
8,469,426 B2 6/2013 Lofley, Sr. et al.
8,939,051 B1 1/2015 Lofley, Sr. et al.
D760,564 S 7/2016 Lofley, Sr. et al.
D786,638 S 5/2017 Lofley, Sr. et al.
D843,183 S 3/2019 Lofley, Sr. et al.
D871,174 S 12/2019 Lofley, Sr. et al.
10,759,453 B1 9/2020 Ayala

D922,838 S * 6/2021 Lofley, Jr. D8/14
2004/0016385 A1 1/2004 Wilcox et al.
2006/0062632 A1 3/2006 Jang

OTHER PUBLICATIONS

U.S. Appl. No. 13/757,482, Robert G. Lofley, Sr., et al.
U.S. Appl. No. 13/834,674, Robert G. Lofley, Sr., et al.
U.S. Appl. No. 13/837,198, Robert G. Lofley, Sr., et al.
U.S. Appl. No. 12/567,135, Ricardo Cuyar.
U.S. Appl. No. 13/926,127, Robert G. Lofley, Sr., et al.
U.S. Appl. No. 13/926,168, Robert G. Lofley, Sr., et al.
U.S. Appl. No. 14/206,040, Robert G. Lofley, Sr., et al.
U.S. Appl. No. 14/206,659, Robert G. Lofley, Sr., et al.
U.S. Appl. No. 14/278,806, Robert G. Lofley, Sr., et al.
U.S. Appl. No. 14/605,442, Robert G. Lofley, Sr., et al.
www.alltackle.com/rupp_big_riggs_ruppriggers.htm.
www.paint-and-supplies.hardwarestore.com/47-345-extension-poles/z-pro-telescoping-extension-pole-453423.aspx.

* cited by examiner

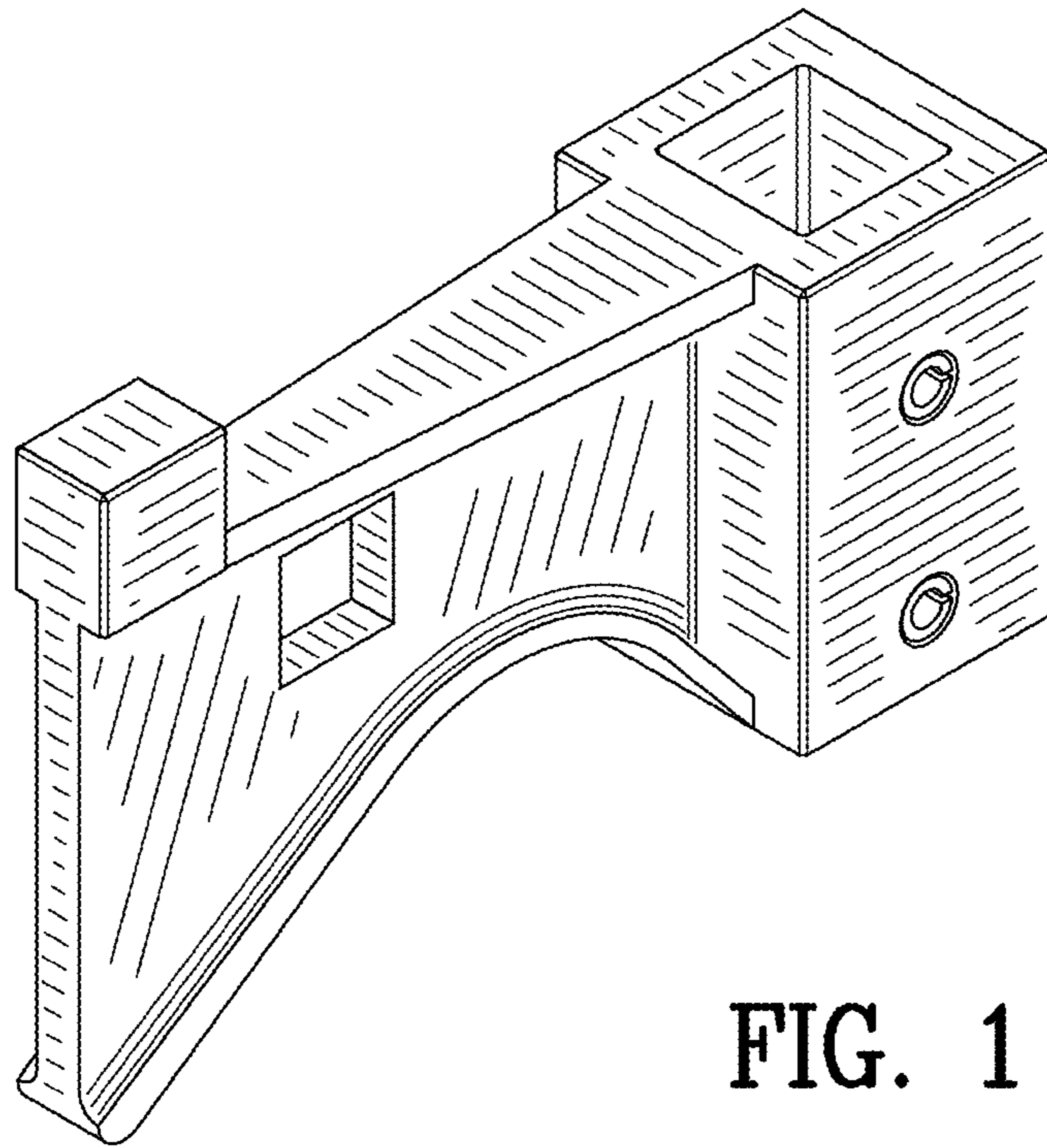


FIG. 1

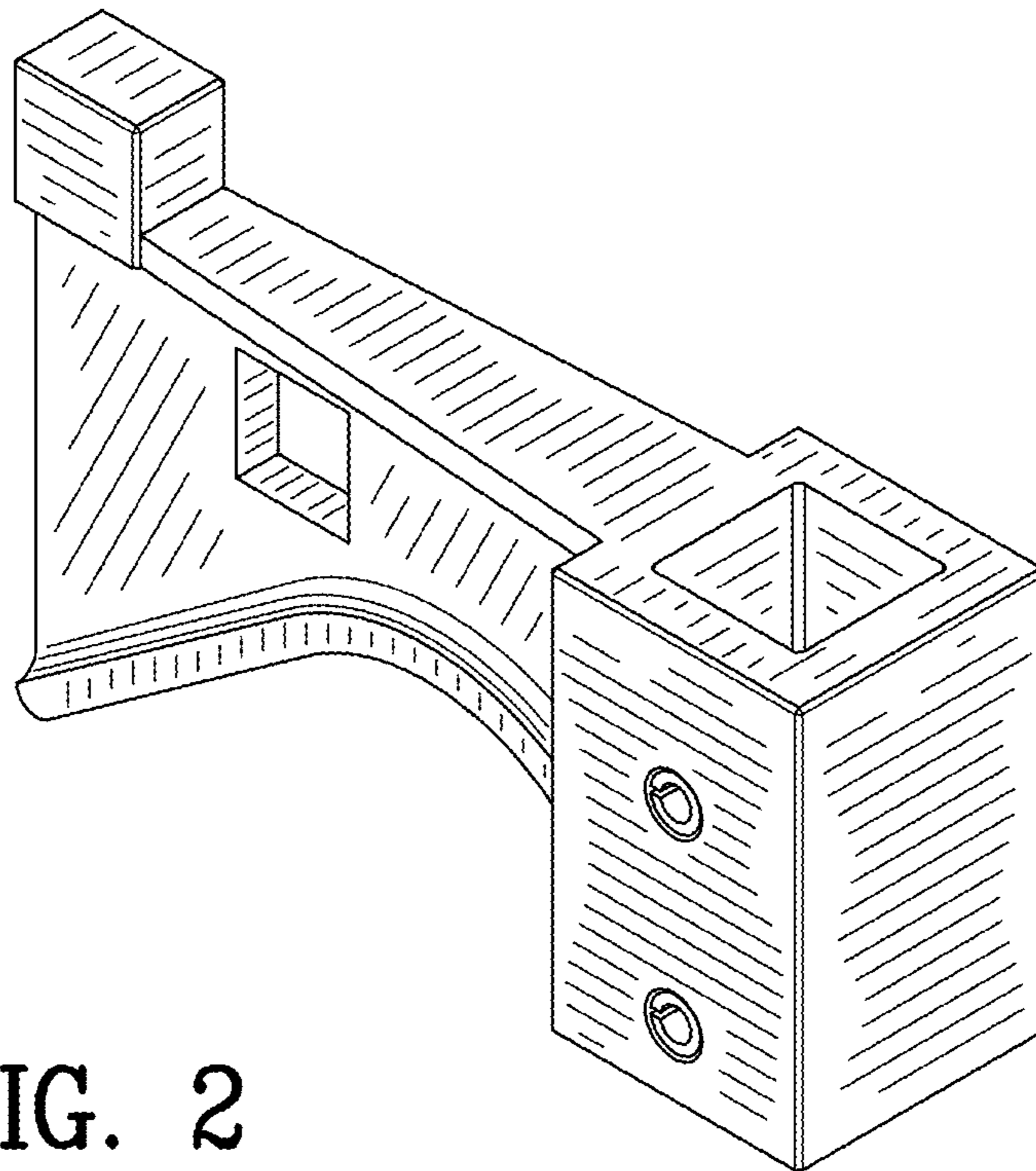


FIG. 2

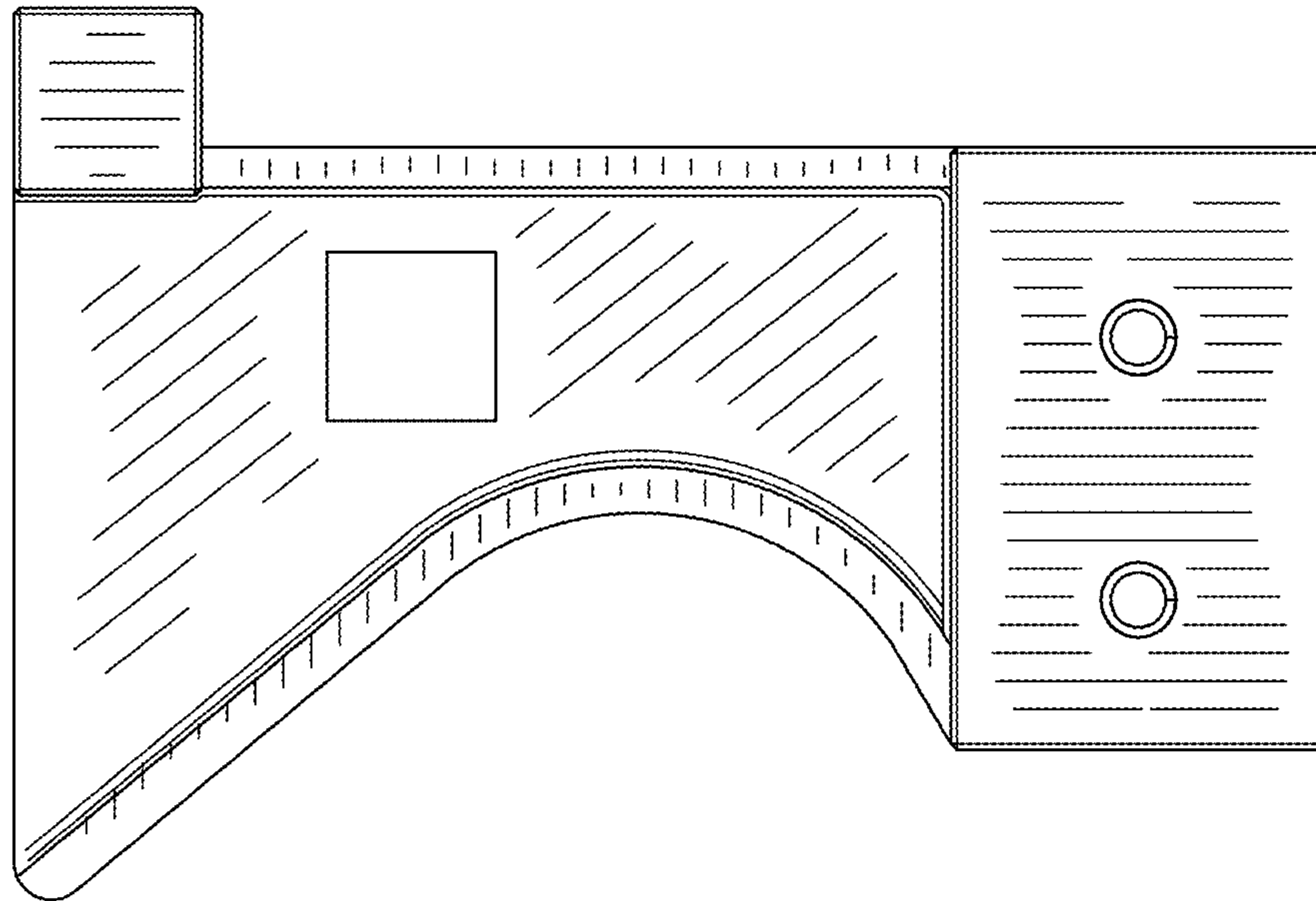


FIG. 3

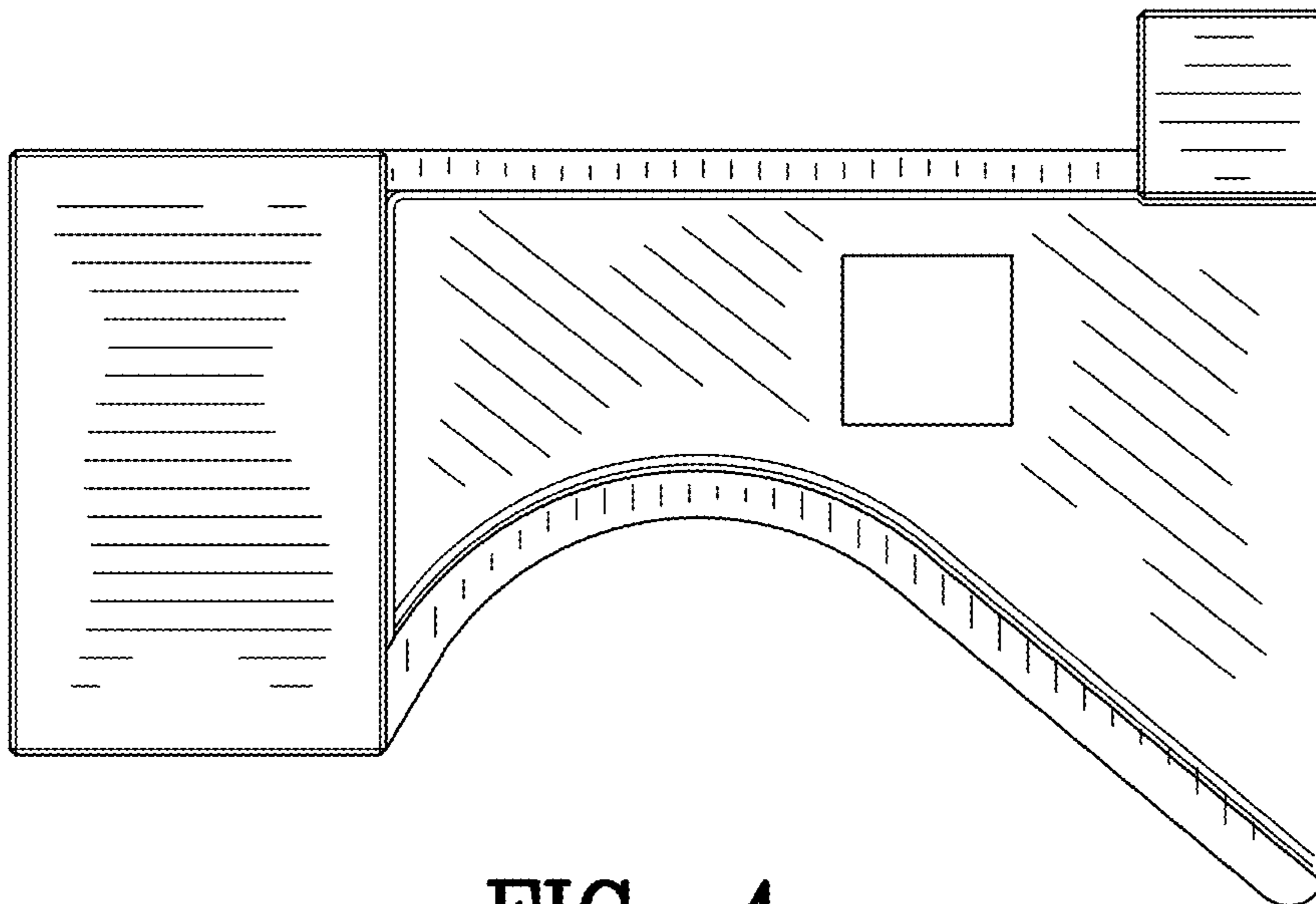


FIG. 4

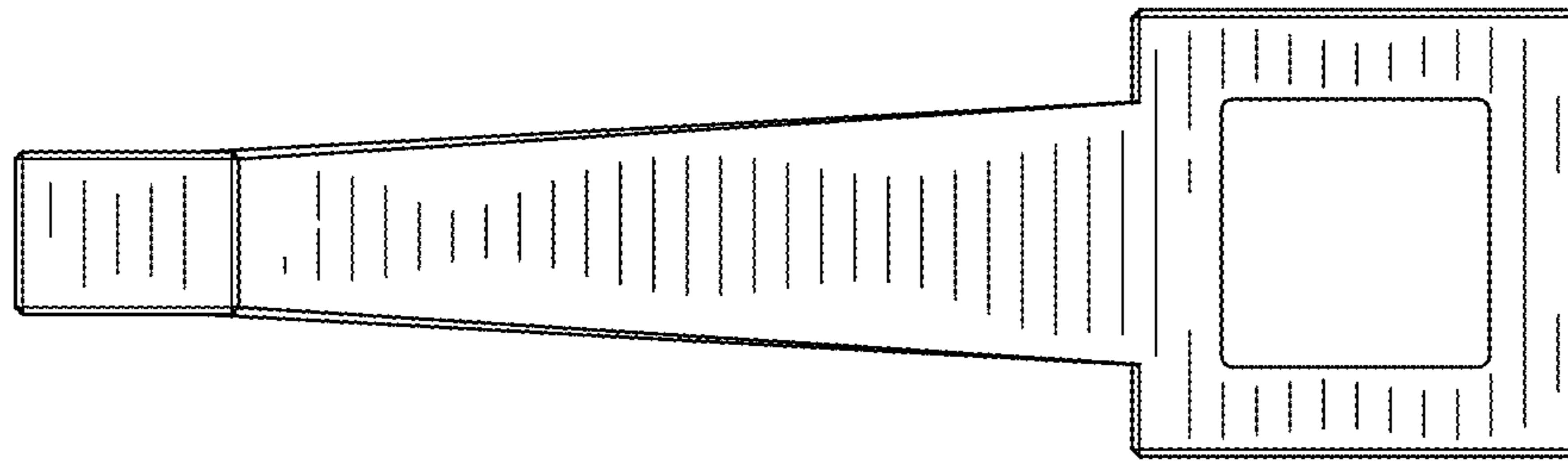


FIG. 5

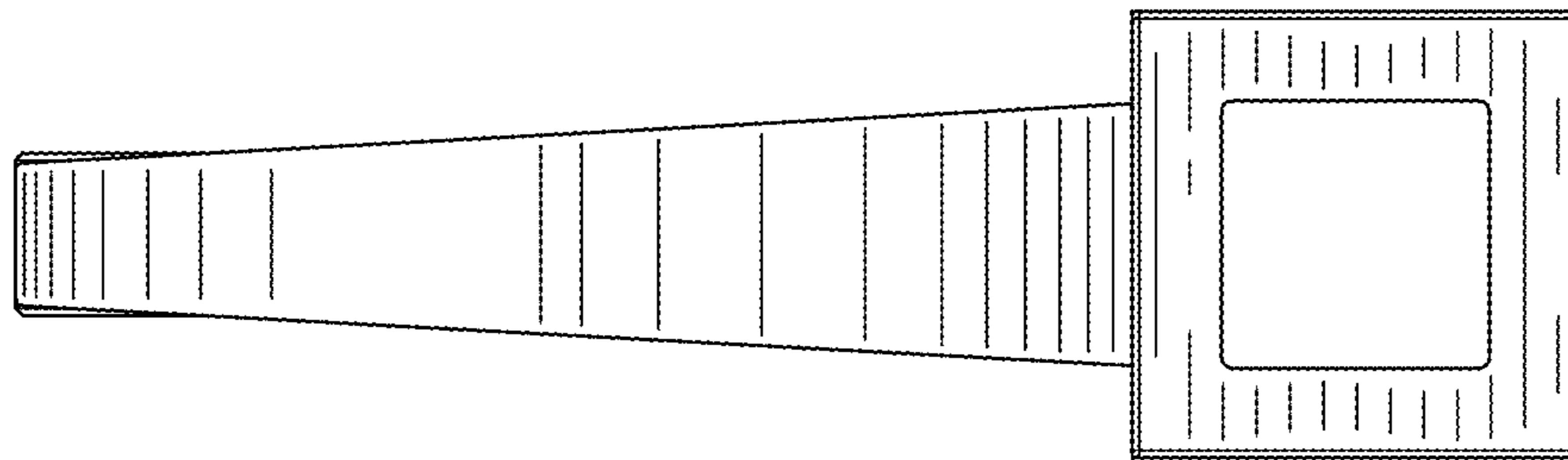


FIG. 6

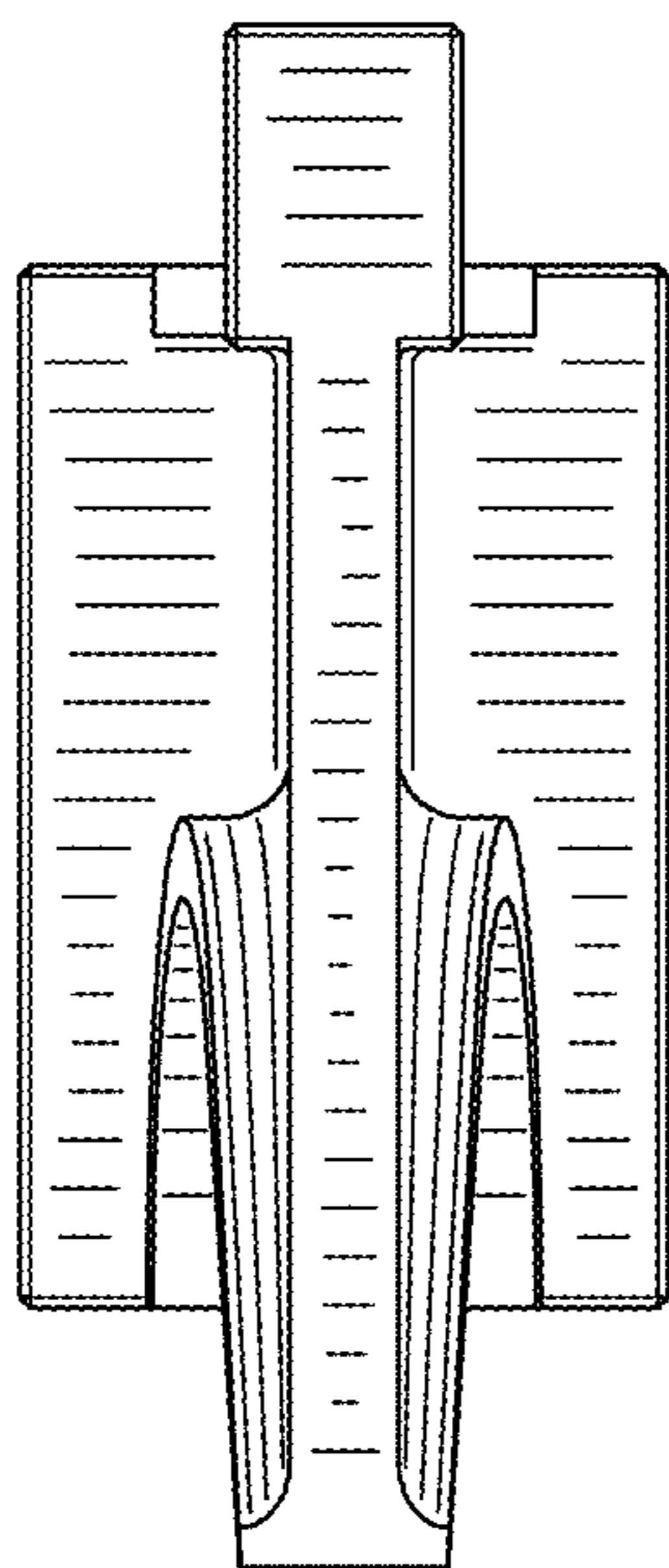


FIG. 7

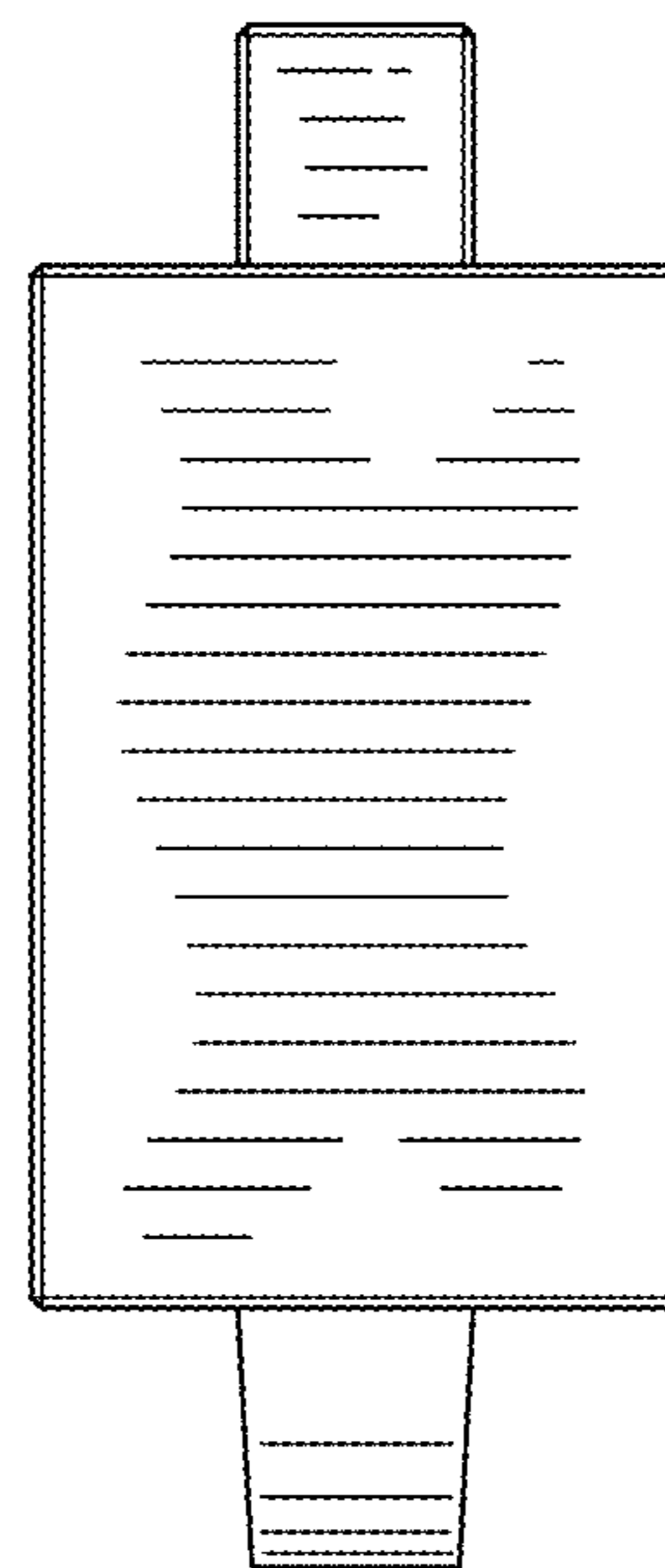


FIG. 8