



US00D963440S

(12) **United States Design Patent** (10) **Patent No.:** **US D963,440 S**
Phillips et al. (45) **Date of Patent:** **** Sep. 13, 2022**

(54) **SNOW BLADE**
(71) Applicant: **SUNCAST TECHNOLOGIES, LLC**,
Palm Beach Gardens, FL (US)
(72) Inventors: **William J. Phillips**, Batavia, IL (US);
Michael Uffner, Naperville, IL (US);
Torrence Anderson, Overland Park, KS
(US); **Stephen Whitehead**, Elgin, IL
(US)

D294,233 S * 2/1988 Myers D8/10
RE32,948 E * 6/1989 Lapshansky A01B 1/222
294/51
D361,482 S * 8/1995 Fugal D8/10
D415,663 S * 10/1999 Whitehead D8/10
D417,826 S * 12/1999 Yacobi D8/10
D433,889 S * 11/2000 Spear D8/10
D434,287 S * 11/2000 Spear D8/10

(Continued)

OTHER PUBLICATIONS

(73) Assignee: **Suncast Technologies, LLC**, Palm
Beach Gardens, FL (US)

Suncast 36" Pusher Snow Shovel, Retrieved on May 22, 2021
(online), Earliest review date: 5 months prior to retrieval date;
approximately Dec. 2020, <[https://www.costco.com/suncast-36%
22-pusher-snow-shovel-.product.100718003.html](https://www.costco.com/suncast-36%22-pusher-snow-shovel-.product.100718003.html)>.*

(Continued)

(**) Term: **15 Years**

Primary Examiner — Sheryl Lane
Assistant Examiner — Ieisha N Price
(74) *Attorney, Agent, or Firm* — McHale & Slavin, P.A.

(21) Appl. No.: **29/726,890**

(22) Filed: **Mar. 6, 2020**

(51) **LOC (13) Cl.** **08-01**

(52) **U.S. Cl.**
USPC **D8/10**

(58) **Field of Classification Search**
USPC D8/1, 10
CPC E01H 5/00; E01H 5/02; A01B 1/02; A01B
1/022; A01B 1/026; A01B 1/22; A01B
15/02

See application file for complete search history.

(57) **CLAIM**

The ornamental design for a snow blade, as shown and
described.

DESCRIPTION

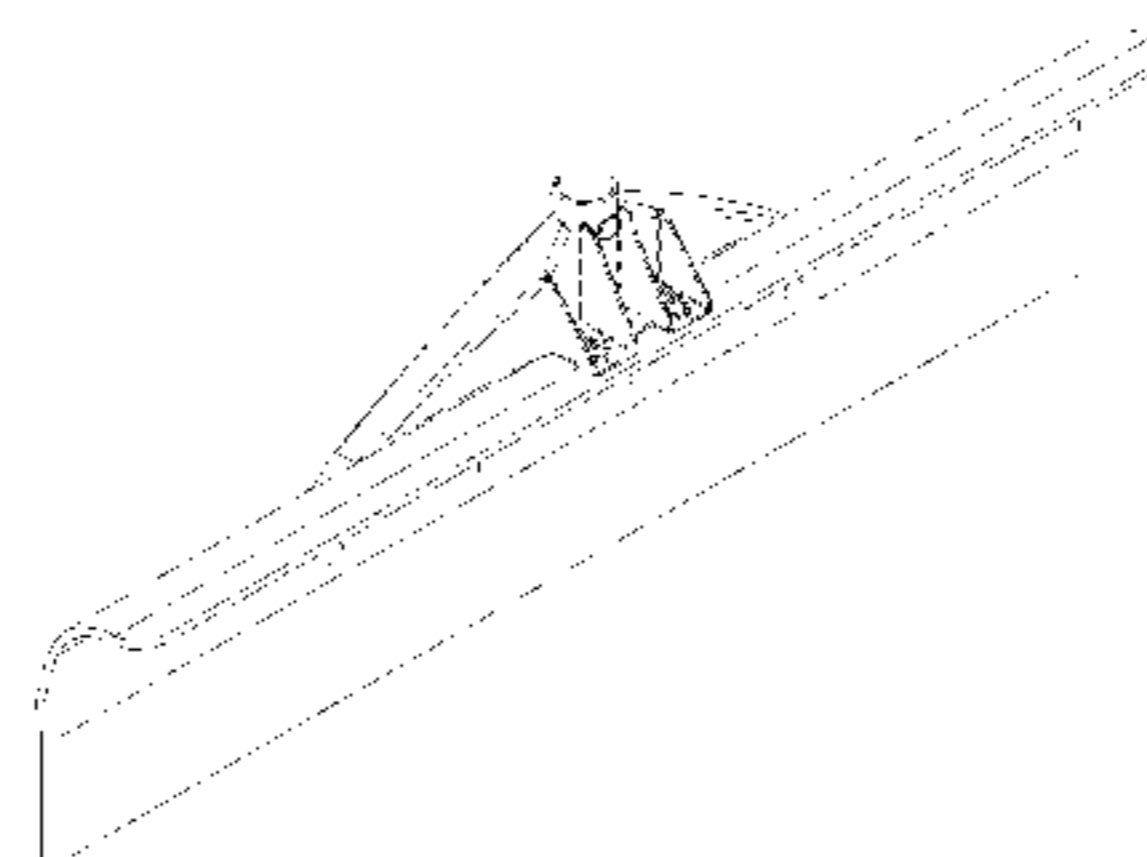
(56) **References Cited**

U.S. PATENT DOCUMENTS

841,848 A * 1/1907 Conner A01B 1/08
172/381
853,171 A * 5/1907 Healey et al. E01H 5/02
37/266
1,514,076 A * 11/1924 Brown E01H 5/02
37/266
2,239,297 A * 4/1941 Allen E01H 5/02
294/51
3,328,067 A * 6/1967 Winkler E01H 5/02
294/54.5
3,343,807 A * 9/1967 Moraski E01H 5/02
254/131.5

FIG. 1 is a top front right perspective view of the snow blade
of the present invention;
FIG. 2 is a top front left perspective view of the snow blade
of the present invention;
FIG. 3 is a right side view thereof;
FIG. 4 is a left side view thereof;
FIG. 5 is a front view thereof;
FIG. 6 is a rear view thereof;
FIG. 7 is a top view thereof; and,
FIG. 8 is a bottom view thereof.
The broken lines in the drawings depict portions of the snow
blade that form no part of the claimed design.

1 Claim, 6 Drawing Sheets



(56)

References Cited

U.S. PATENT DOCUMENTS

6,435,580 B1 * 8/2002 Lock E01H 5/02
294/54.5
6,497,439 B1 * 12/2002 Guo E01H 5/02
294/54.5
D477,194 S * 7/2003 Markley D8/10
7,156,435 B1 * 1/2007 Mourelatos E01H 5/02
294/54.5
7,216,907 B1 * 5/2007 Mussman E01H 5/02
294/49
D602,318 S * 10/2009 Chesness D8/10
9,587,359 B1 * 3/2017 Yu E01H 5/02
D798,680 S * 10/2017 Blouin D8/10
2005/0184542 A1 * 8/2005 Moreschini E01H 5/02
294/54.5
2009/0188136 A1 * 7/2009 Westman E01H 5/02
37/266
2013/0168983 A1 * 7/2013 Swanger E01H 5/02
294/53.5
2014/0217759 A1 * 8/2014 Uffner E01H 5/02
294/51
2020/0224380 A1 * 7/2020 Wyatt E04D 13/106

OTHER PUBLICATIONS

36 in Pusher Snow Shovel, Retrieved on May 22, 2021 (online),
Earliest review date: Dec. 17, 2020, <<https://www.homedepot.com/p/Suncast-36-in-Pusher-Snow-Shovel-SPUH3600D/314478081#overlay>>.*

* cited by examiner

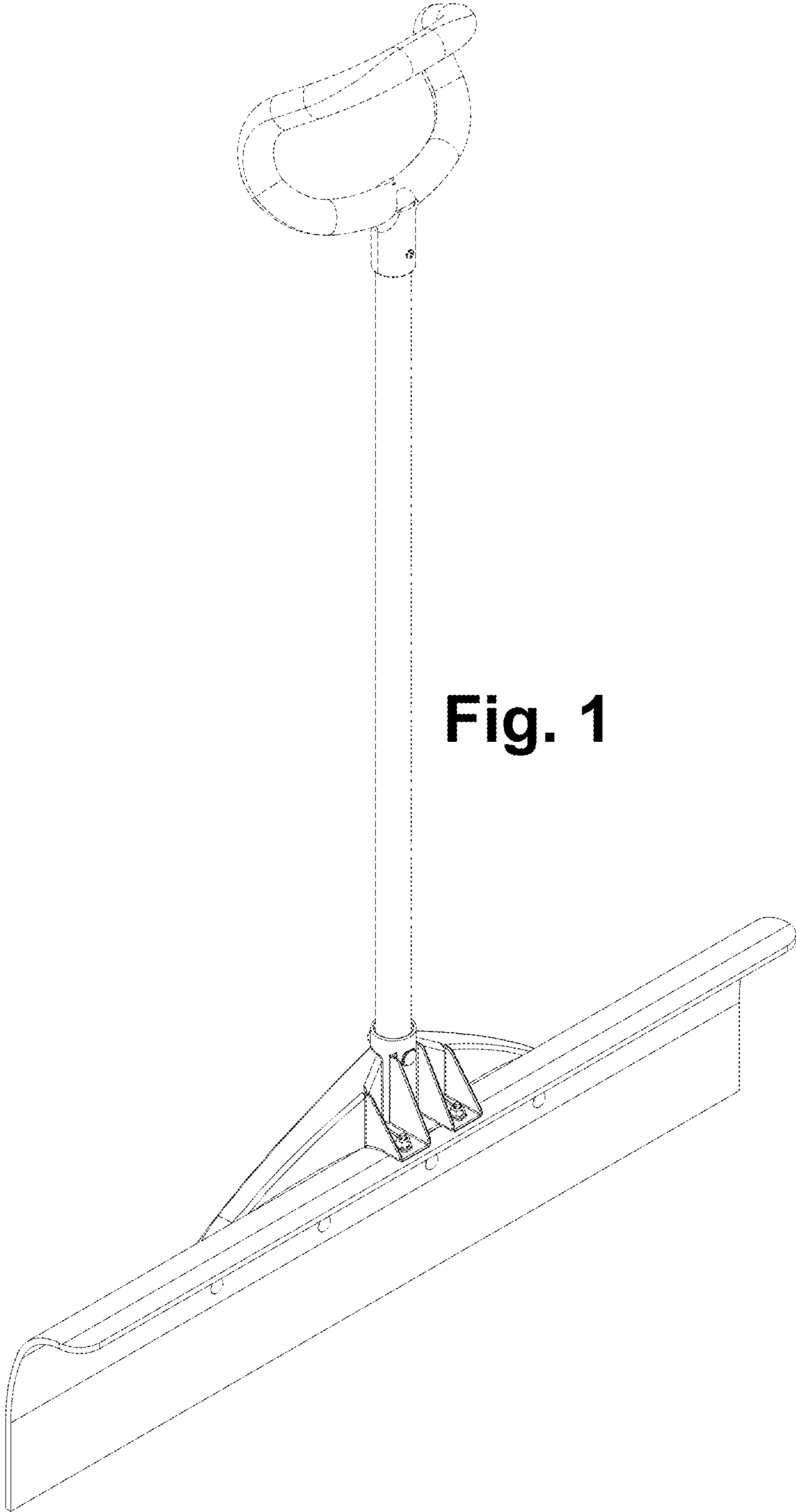


Fig. 1

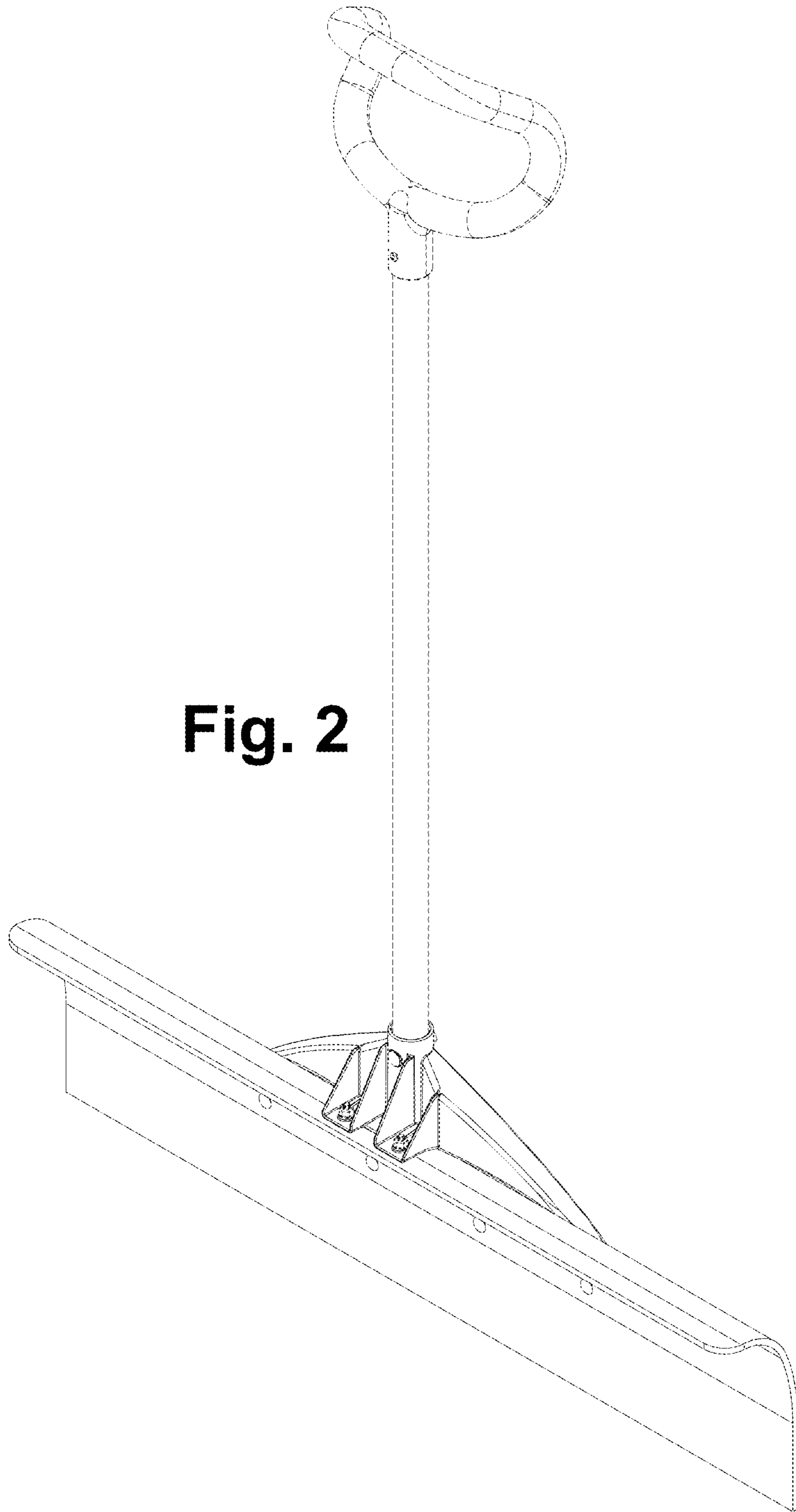


Fig. 2

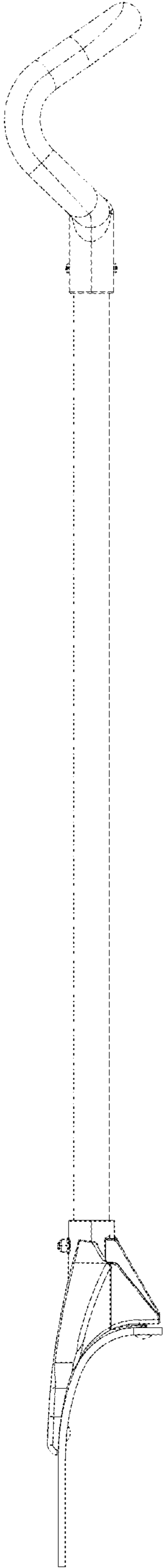


Fig. 3

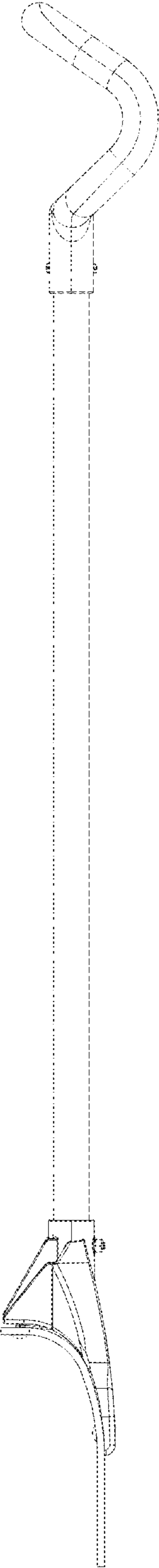


Fig. 4

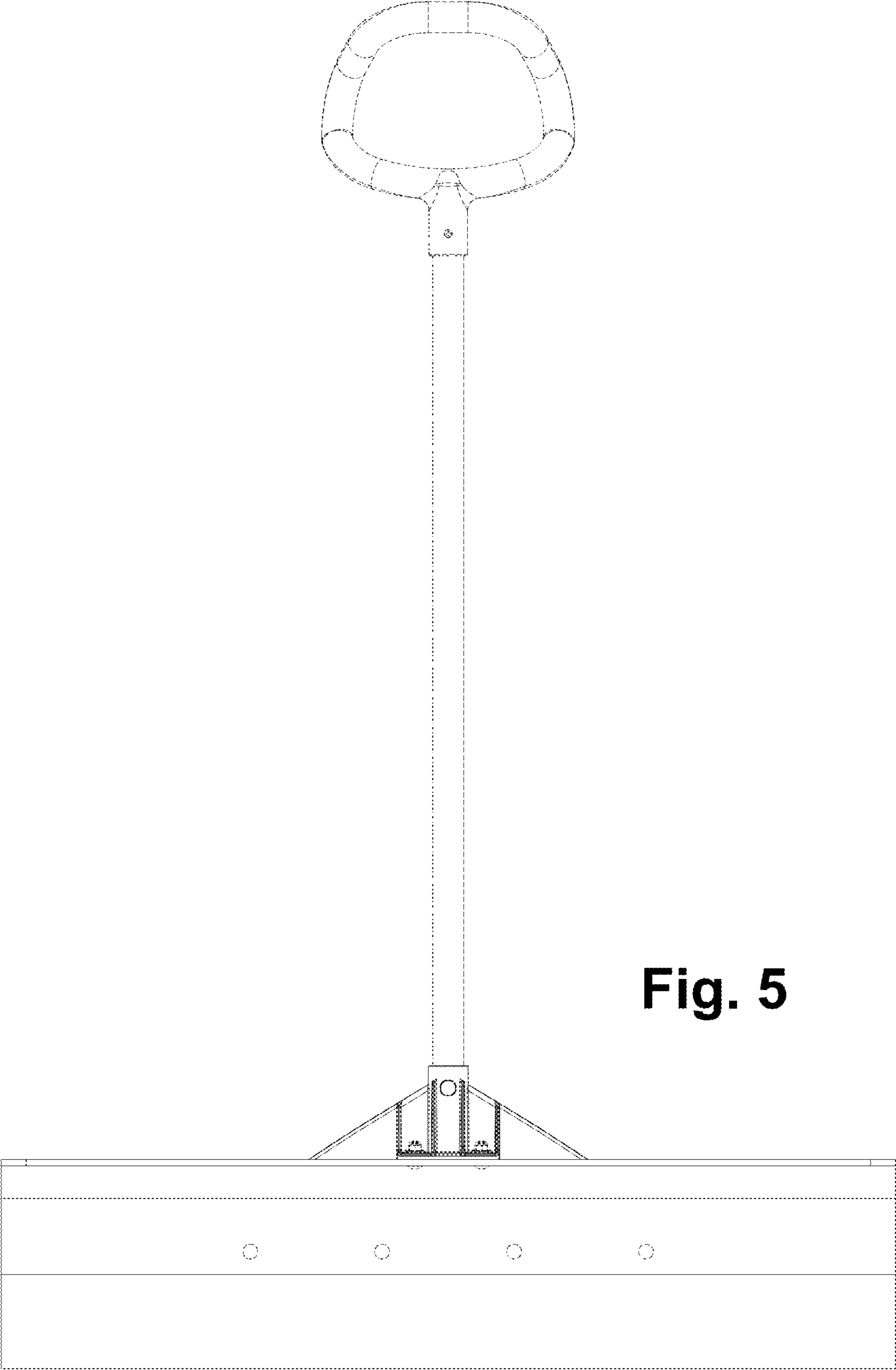


Fig. 5

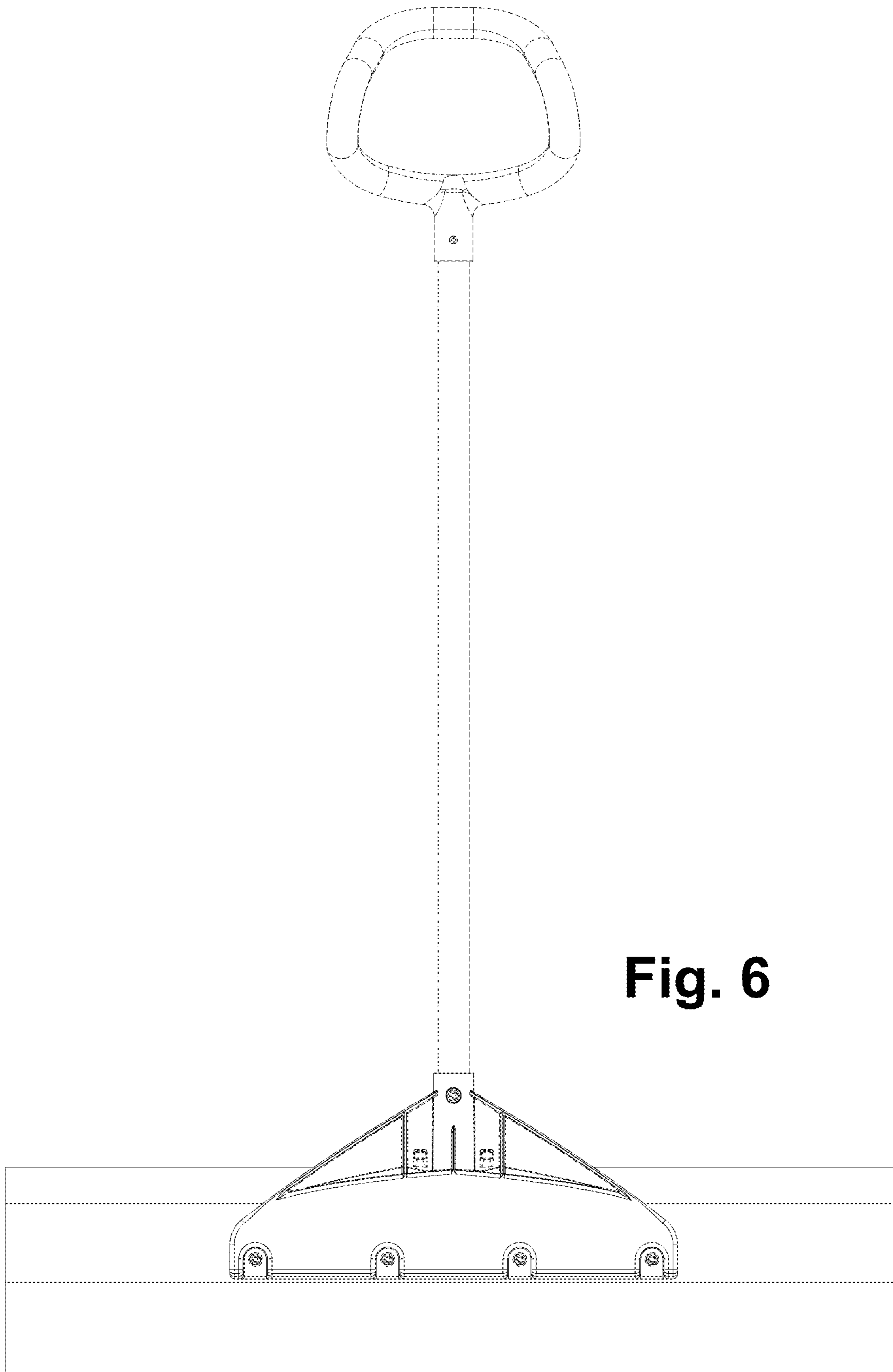


Fig. 6

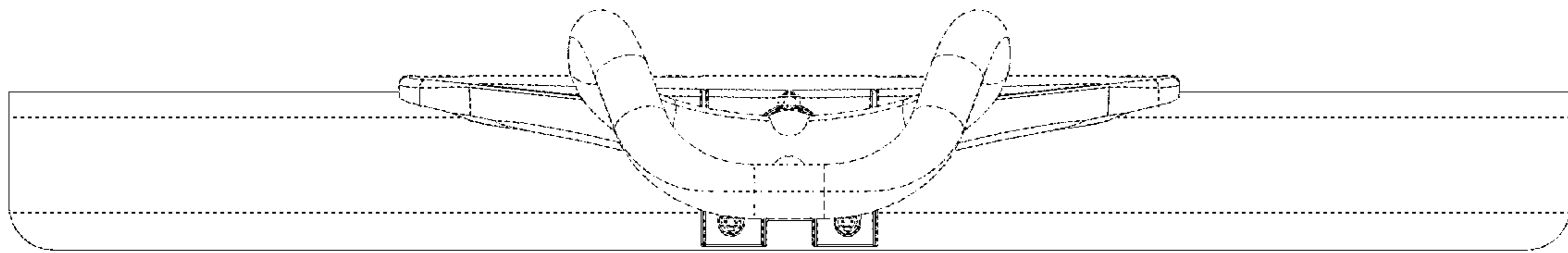


Fig. 7

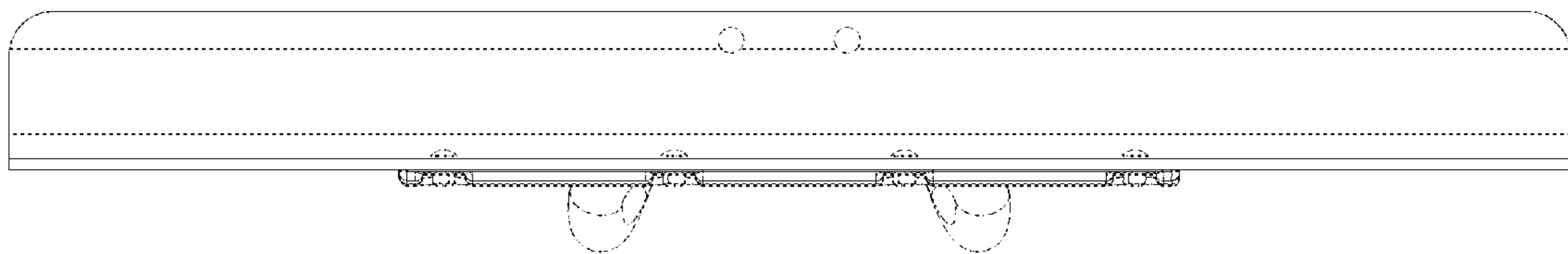


Fig. 8