



US00D963438S

(12) **United States Design Patent** (10) **Patent No.:** **US D963,438 S**
Zhao (45) **Date of Patent:** **** Sep. 13, 2022**

(54) **LUNCH BAG**
(71) Applicant: **Yang Zhao**, Sichuan (CN)
(72) Inventor: **Yang Zhao**, Sichuan (CN)
(**) Term: **15 Years**
(21) Appl. No.: **29/836,325**
(22) Filed: **Apr. 26, 2022**
(51) **LOC (13) Cl.** **07-99**
(52) **U.S. Cl.**
USPC **D7/709**
(58) **Field of Classification Search**
USPC D7/605–607, 709, 710; D3/283, 287,
D3/289, 233, 267, 268, 273, 276, 315,
D3/318
CPC F25D 3/08; F25D 3/02; F25D 3/04; F25D
3/06; F25D 3/14; F25D 3/107; F25D
2331/801; F25D 2331/804; B65D 81/38;
B65D 81/3813; B65D 81/3816; B65D
81/3818; B65D 81/382; B65D 81/3823;
B65D 81/3825; B65D 81/3827; B65D
81/383; B65D 81/3832; B65D 81/3834;
B65D 81/3848; B65D 81/3851; B65D
81/3853; B65D 81/3855; B65D 81/3858;
B65D 81/386; B65D 81/3862; B65D
81/3874; A45C 11/20; A45C 3/00; A45C
3/08; A45C 3/06; A45C 3/10; A45C 1/00;
A45C 13/008; A45C 5/00; A45C
2003/008; A45C 2003/007; A45F 3/00
See application file for complete search history.

(56) **References Cited**
U.S. PATENT DOCUMENTS
3,297,119 A * 1/1967 Viol A47D 15/003
150/108
D234,410 S * 2/1975 Rosenblum D3/287
D284,620 S * 7/1986 Calton D3/217

4,767,039 A * 8/1988 Jacober A45F 3/04
224/583
D383,360 S 9/1997 Melk
D389,021 S 1/1998 Rausch
6,092,661 A * 7/2000 Mogil A45C 11/20
150/112
6,439,389 B1 * 8/2002 Mogil A45F 3/02
206/217
D640,055 S 6/2011 Maillet
8,043,004 B2 * 10/2011 Mogil A45C 5/02
220/592.2
D690,509 S 10/2013 Guichot
D781,110 S 3/2017 Jacobsen
D882,943 S * 5/2020 Zhuang D3/217
D883,047 S 5/2020 Kou
D903,443 S * 12/2020 Gispert D7/703
(Continued)

OTHER PUBLICATIONS

Amazon.com, Scoria Insulated Lunch Bag with Portable Flatware Storage Bag, ASIN: B096XQ2FPJ, 12 pages, date first available Jun. 9, 2021 (Year: 2021).*

Primary Examiner — Terry A Wallace

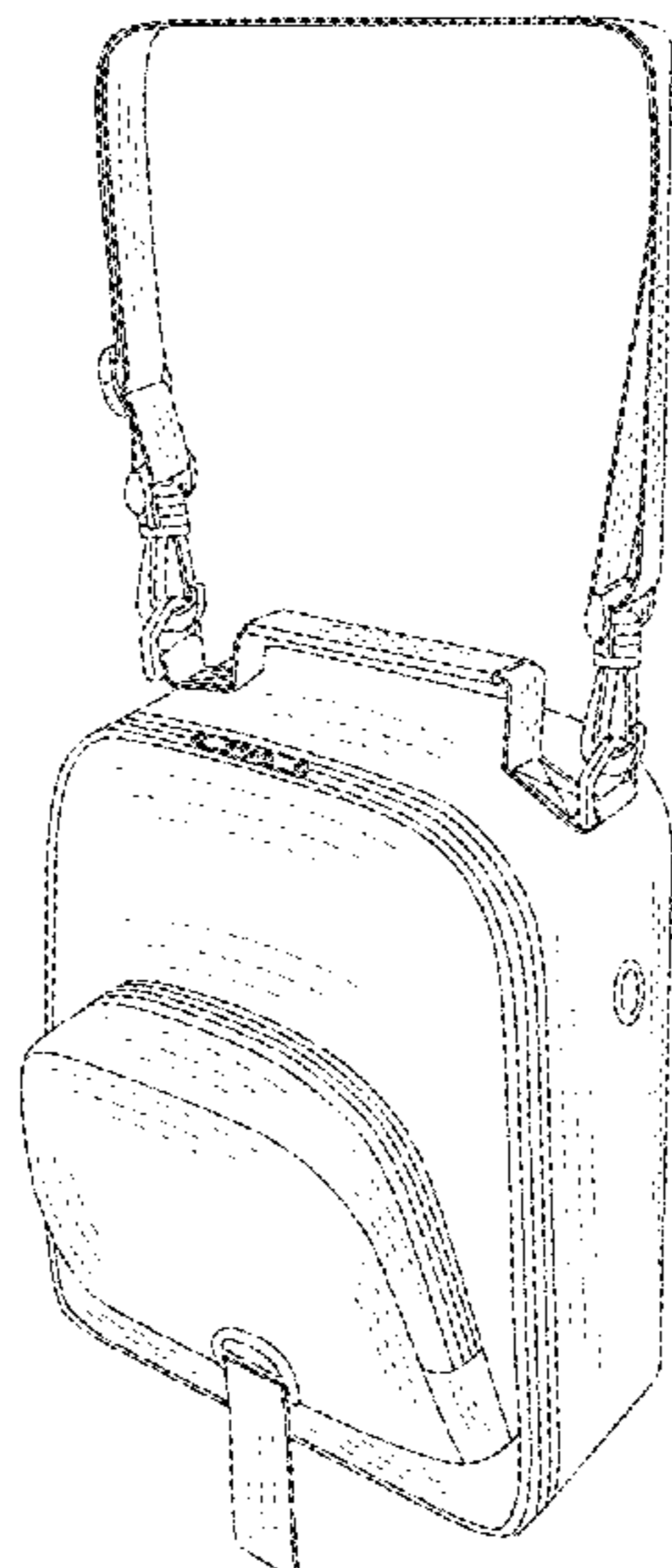
(57) **CLAIM**

The ornamental design for a lunch bag, as shown and described.

DESCRIPTION

FIG. 1 is a front perspective view of the lunch bag showing my new design.
FIG. 2 is a front view of the lunch bag.
FIG. 3 is a rear view of the lunch bag.
FIG. 4 is a left side view of the lunch bag.
FIG. 5 is a right side view of the lunch bag.
FIG. 6 is a top view of the lunch bag; and,
FIG. 7 is a bottom view of the lunch bag.
Any shading and cross-hatching are not features of the design but are utilized to illustrate the surface contours of the lunch bag design in the drawings.

1 Claim, 7 Drawing Sheets



(56)

References Cited

U.S. PATENT DOCUMENTS

D939,906 S	1/2022	Barnes et al.	
2005/0133399 A1*	6/2005	Fidrych	A45F 3/04 206/545

* cited by examiner

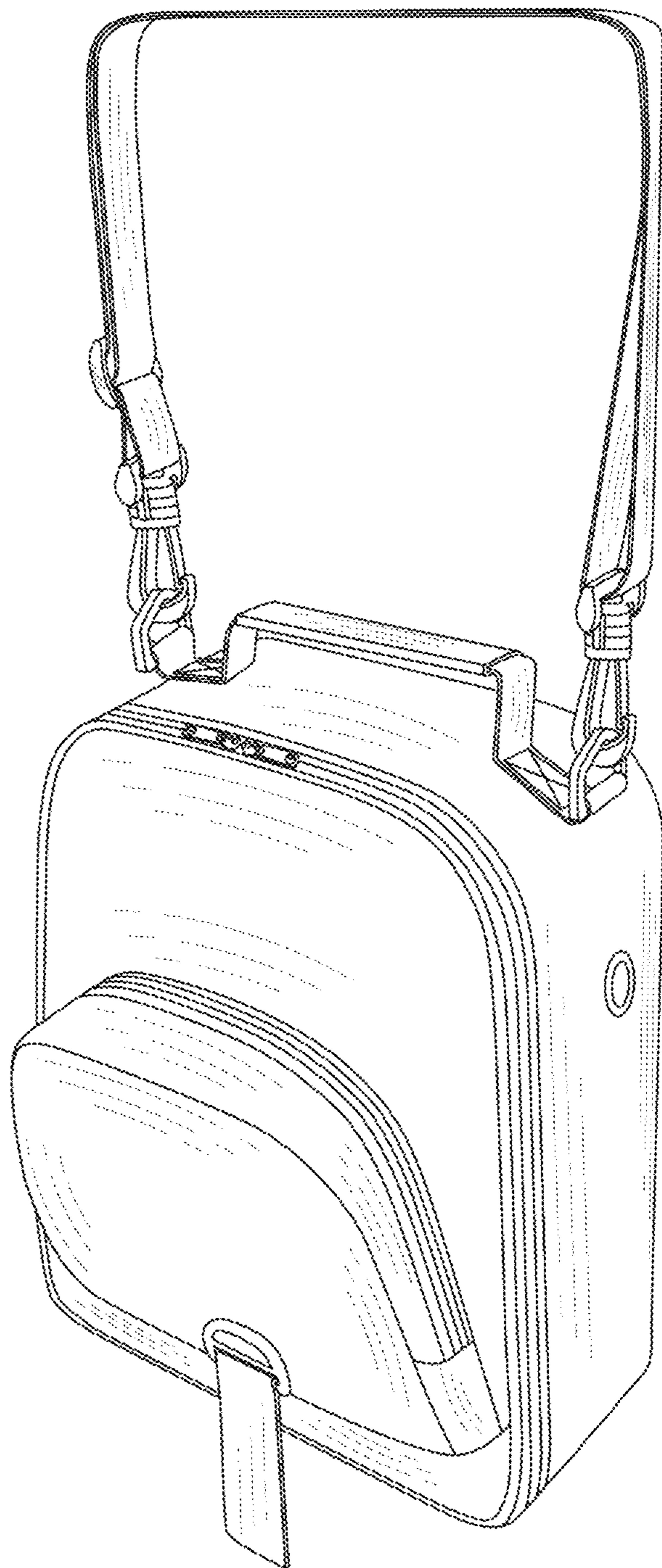


FIG.1

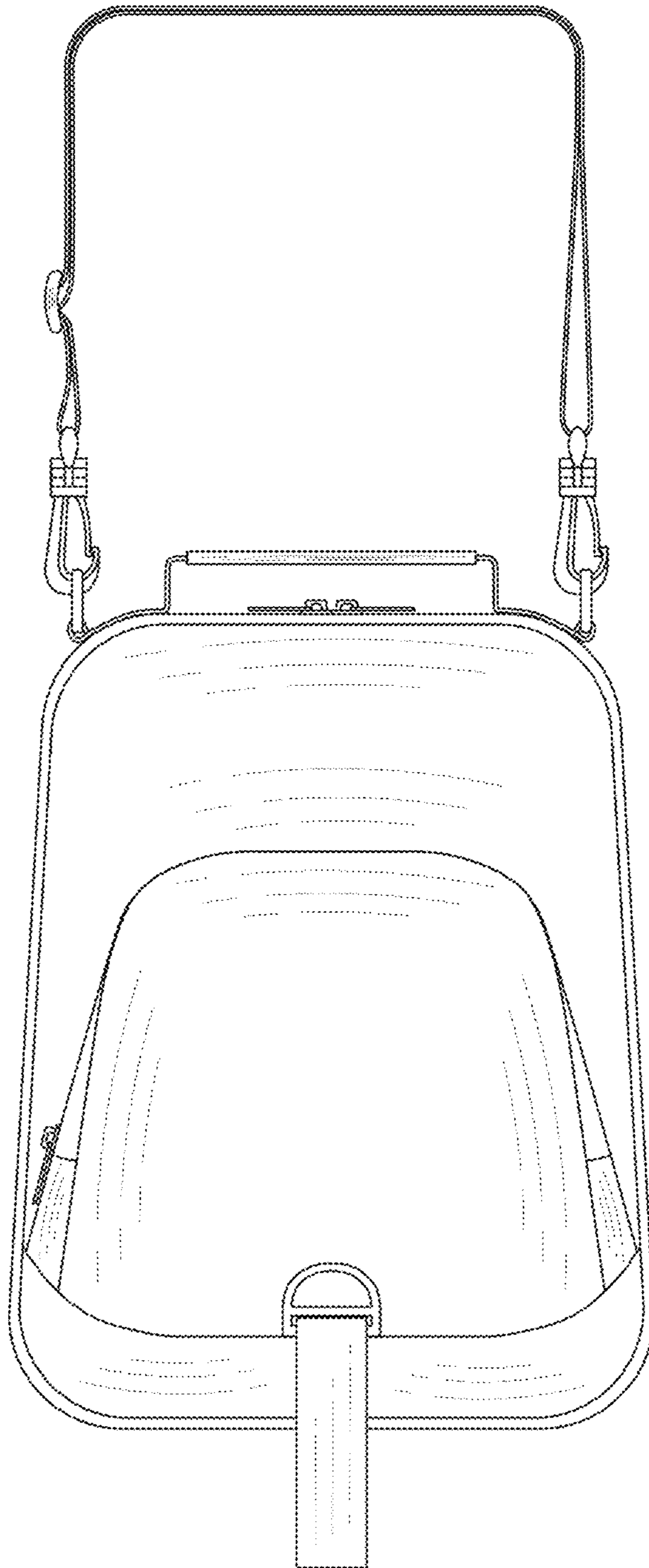


FIG. 2

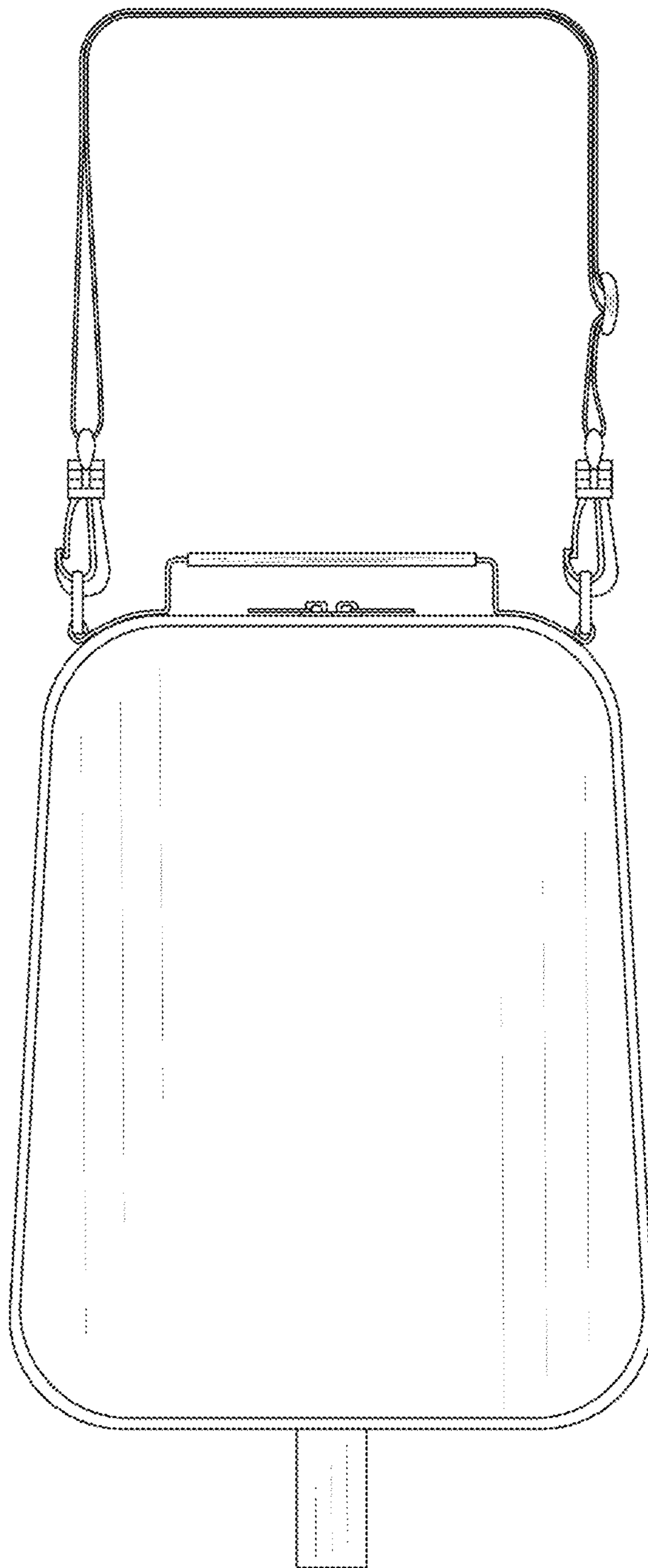


FIG.3

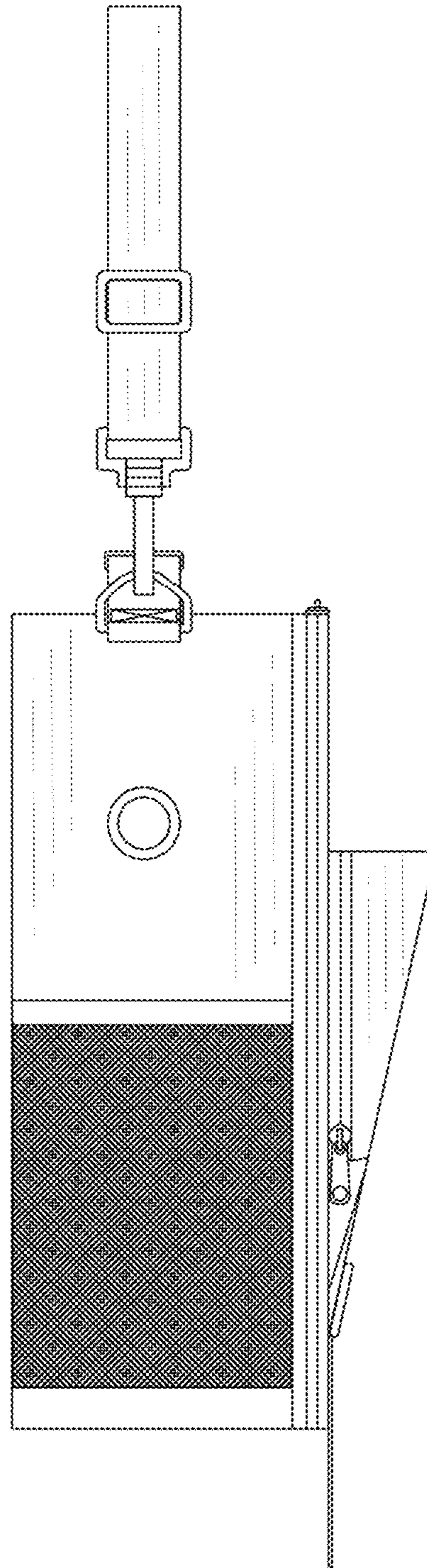


FIG.4

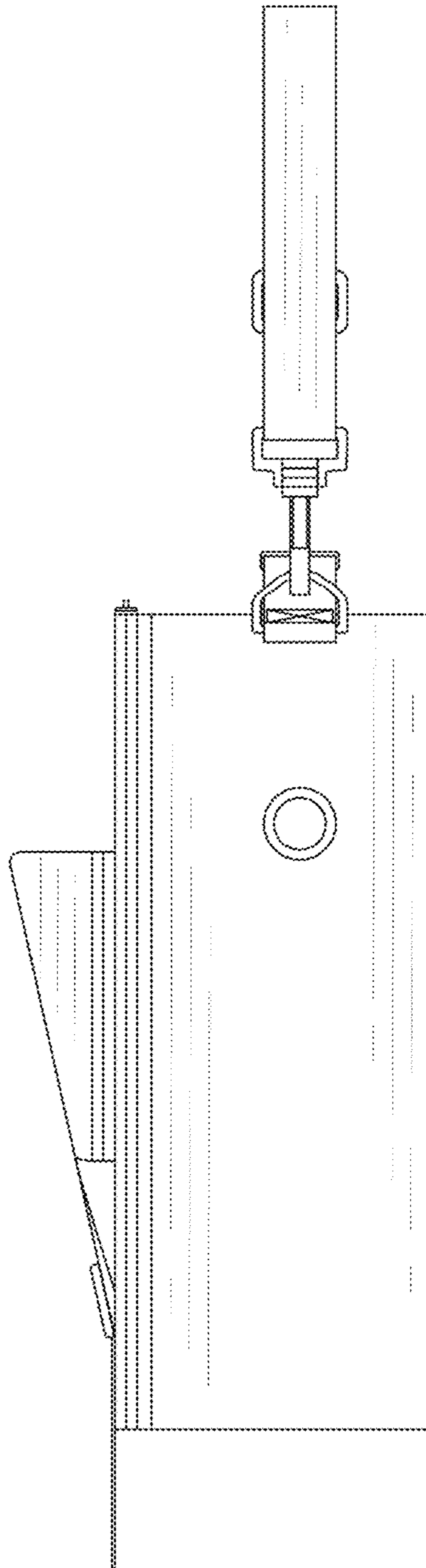


FIG. 5

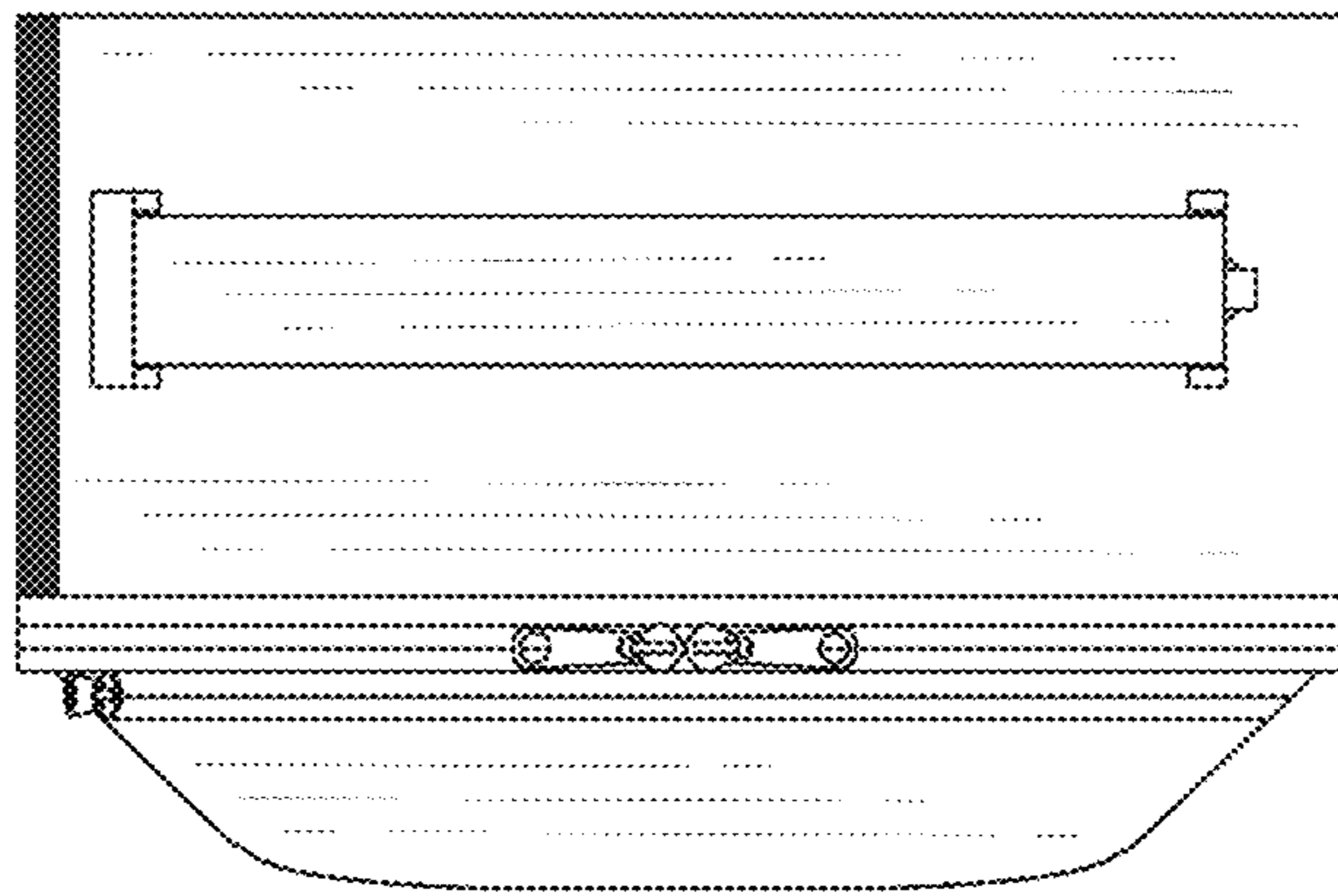


FIG.6

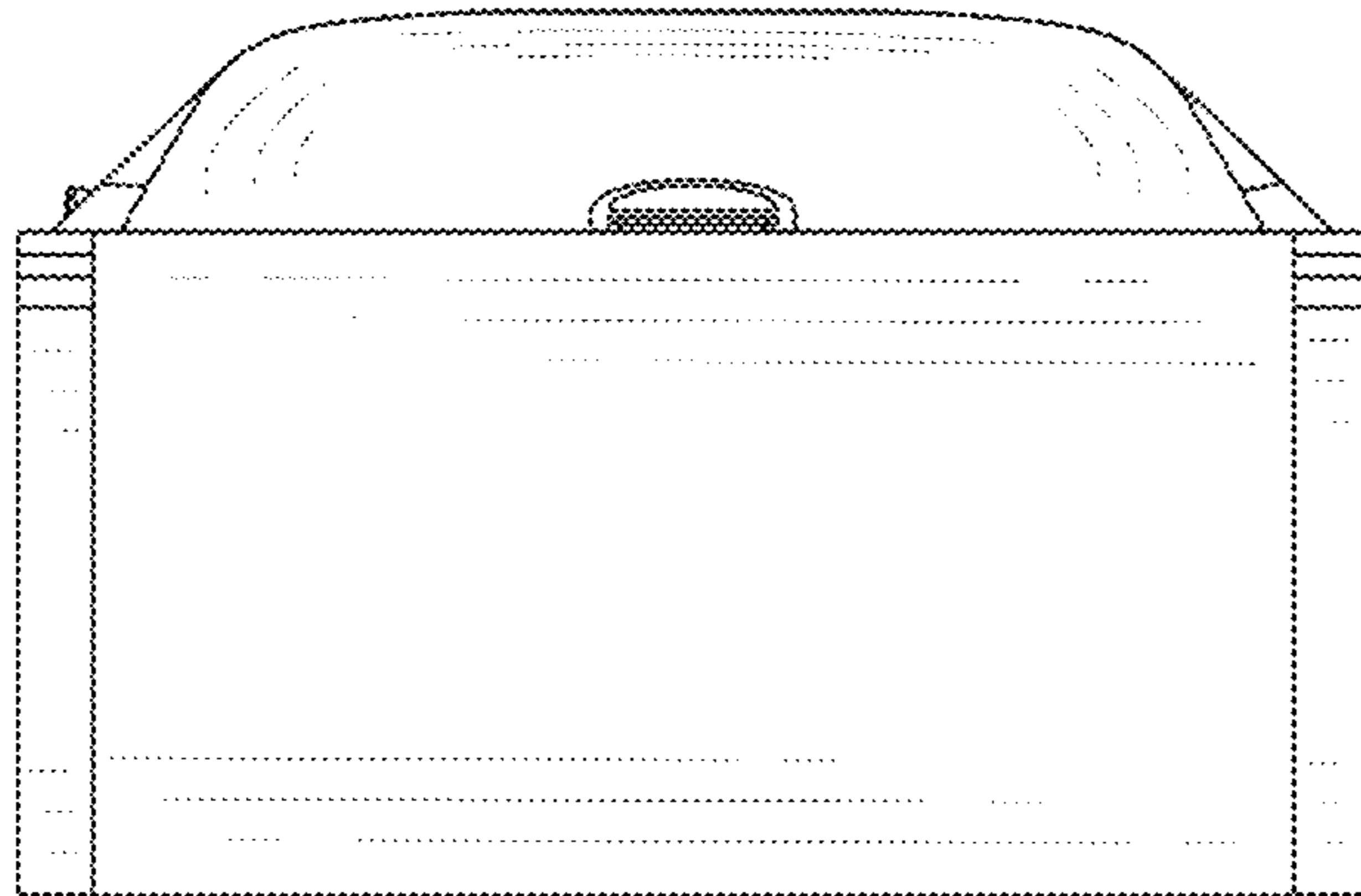


FIG. 7