



US00D963437S

(12) **United States Design Patent**  
**Lei**

(10) **Patent No.:** **US D963,437 S**

(45) **Date of Patent:** **\*\* Sep. 13, 2022**

(54) **ELECTRIC LUNCHBOX**

(71) Applicant: **Guigui Lei**, Nanning (CN)

(72) Inventor: **Guigui Lei**, Nanning (CN)

(\*\*) Term: **15 Years**

(21) Appl. No.: **29/799,095**

(22) Filed: **Jul. 13, 2021**

(51) **LOC (13) Cl.** ..... **07-02**

(52) **U.S. Cl.**  
USPC ..... **D7/709**

(58) **Field of Classification Search**  
USPC ..... D7/601-602, 605, 608-609, 629,  
D7/701-703, 708.1, 709; D3/201, 203.1,  
D3/203.3, 212, 232, 240, 243, 246, 258,  
D3/272-273, 281-282, 291, 324, 326,  
D3/901-905; D9/761  
CPC .. A47J 47/02; A47J 47/06; A47J 47/10; A47J  
47/14; A47J 47/12; A47G 23/04; A47G  
23/0683

See application file for complete search history.

(56) **References Cited**

**U.S. PATENT DOCUMENTS**

- 1,737,249 A \* 11/1929 Kempter ..... B65D 25/2879  
220/772
- D246,071 S \* 10/1977 Landell ..... D3/905
- D246,139 S \* 10/1977 Landell ..... D3/905
- D286,950 S \* 12/1986 Miles ..... D3/291
- D315,247 S \* 3/1991 Lovell ..... D3/901
- 5,065,867 A \* 11/1991 Alfredson ..... E05B 77/34  
206/542
- D325,124 S \* 4/1992 Young ..... D3/901
- D348,984 S \* 7/1994 Gilbert ..... D3/205
- D353,265 S \* 12/1994 Newby, Sr. .... D3/276
- D353,748 S \* 12/1994 Ferris ..... D3/276
- D367,211 S \* 2/1996 Cautereels ..... D7/629
- D369,240 S \* 4/1996 Newby, Sr. .... D3/276

- D371,906 S \* 7/1996 Peters ..... D3/276
- D393,367 S \* 4/1998 Riddle ..... D3/276
- D423,772 S \* 5/2000 Cooper ..... D3/218
- D516,384 S \* 3/2006 Neuhaus ..... D7/609
- D576,790 S \* 9/2008 Swan ..... D3/218

(Continued)

**FOREIGN PATENT DOCUMENTS**

- CN 301370055 \* 10/2010
- CN 302411342 \* 4/2013

(Continued)

**OTHER PUBLICATIONS**

Electric Lunch Box, CTSZoom, amazon.com, published by CTSZoom, first available on Mar. 19, 2019 © 1996-2022 Amazon.com, Inc., online, site visited Apr. 26, 2022. Available at URL: <https://www.amazon.com/Electric-Lunch-Box-Removable-Stainless/dp/B07NKFVG2Q?th=1> (Year: 2019).\*

(Continued)

*Primary Examiner* — Holly E Thurman  
*Assistant Examiner* — Altaira J Swangin

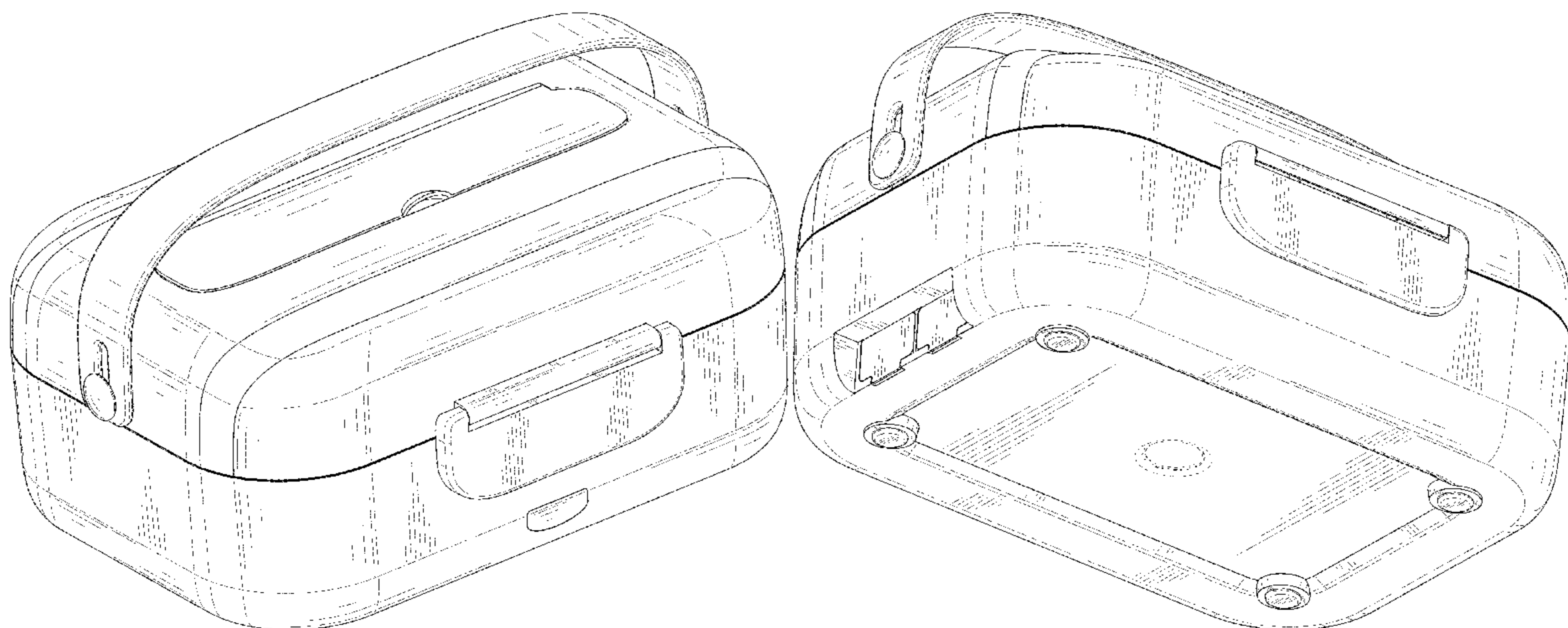
(57) **CLAIM**

The ornamental design for an electric lunchbox, as shown and described.

**DESCRIPTION**

FIG. 1 is a perspective view of an electric lunchbox showing my new design;  
FIG. 2 is another perspective view thereof;  
FIG. 3 is a front elevational view thereof;  
FIG. 4 is a rear elevational view thereof;  
FIG. 5 is a left side elevational view thereof;  
FIG. 6 is a right side elevational view thereof;  
FIG. 7 is a top plan view thereof; and,  
FIG. 8 is a bottom plan view thereof.  
The broken lines in the drawings depict portions of the electric lunchbox that form no part of the claimed design.

**1 Claim, 8 Drawing Sheets**



(56)

References Cited

U.S. PATENT DOCUMENTS

D603,664 S 11/2009 Roefs et al.  
 D619,163 S \* 7/2010 Horito ..... D18/34.1  
 D636,182 S \* 4/2011 Yang ..... D3/905  
 D640,131 S \* 6/2011 Gibson ..... D9/426  
 D657,210 S 4/2012 Smiedt et al.  
 D763,629 S \* 8/2016 Swartz ..... D7/629  
 D773,901 S \* 12/2016 Marret ..... D7/629  
 D796,920 S \* 9/2017 Staton ..... D7/629  
 D829,066 S \* 9/2018 Xu ..... D7/709  
 D887,226 S \* 6/2020 Jacobsen ..... D7/629  
 D909,835 S \* 2/2021 Lin ..... D7/709  
 D912,475 S \* 3/2021 Boroski ..... D7/629  
 D929,732 S \* 9/2021 Ding ..... D3/273  
 D937,560 S \* 12/2021 Lateef ..... D99/28  
 D937,561 S \* 12/2021 Lateef ..... D3/203.1  
 D937,562 S \* 12/2021 Lateef ..... D3/203.1  
 D937,563 S \* 12/2021 Lateef ..... D3/203.1  
 D938,161 S \* 12/2021 Lateef ..... D99/28  
 D946,883 S \* 3/2022 Lateef ..... D3/203.1  
 D946,979 S \* 3/2022 Earle ..... D7/629  
 D951,727 S \* 5/2022 Zhong ..... D7/703

FOREIGN PATENT DOCUMENTS

CN 304944129 \* 12/2018  
 CN 305936532 \* 7/2020  
 CN 306727481 \* 8/2021  
 CN 306960839 \* 11/2021  
 CN 306326313 \* 12/2021  
 EM 008614747-0001 \* 7/2021  
 GB 6115379 \* 1/2021

OTHER PUBLICATIONS

Electric Lunch Box, HomeEasy, amazon.com, published by HomeEasy, first available on Oct. 18, 2021 © 1996-2022 Amazon.com, Inc., online, site visited May 3, 2022. Available at URL: <https://www.amazon.com/Electric-Portable-Removable-Stainless-Container/dp/B09JNYRTMD/> (Year: 2021).\*

Electric Lunch Box, XIMEI, amazon.com, published by XIMEI, first available on Sep. 18, 2020 © 1996-2022 Amazon.com, Inc., online, site visited May 3, 2022. Available at URL: <https://www.amazon.com/Electric-Magnetic-Interface-Capacity-Waterproof/dp/B08JG9K8JN?th=1> (Year: 2020).\*

\* cited by examiner

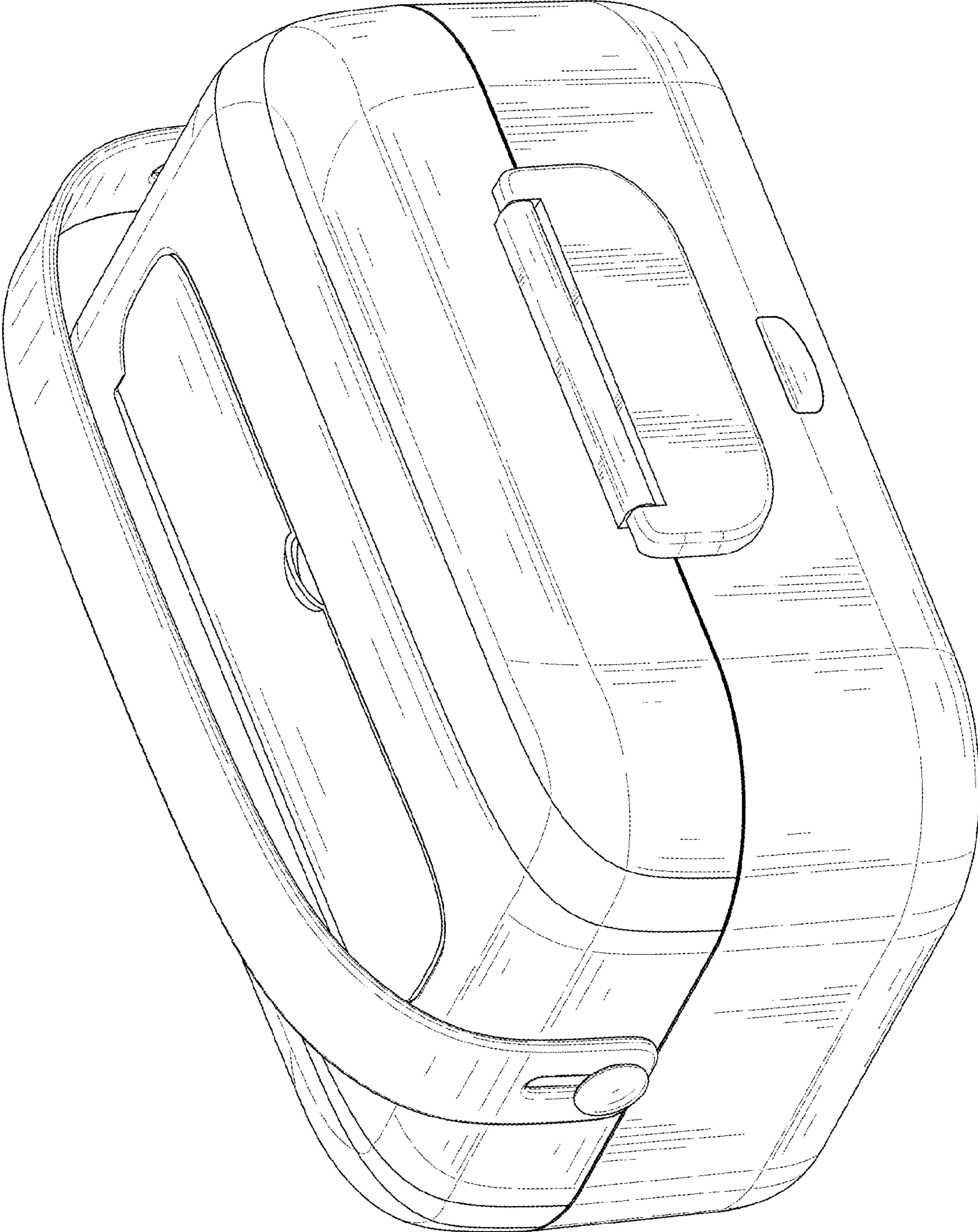


FIG. 1



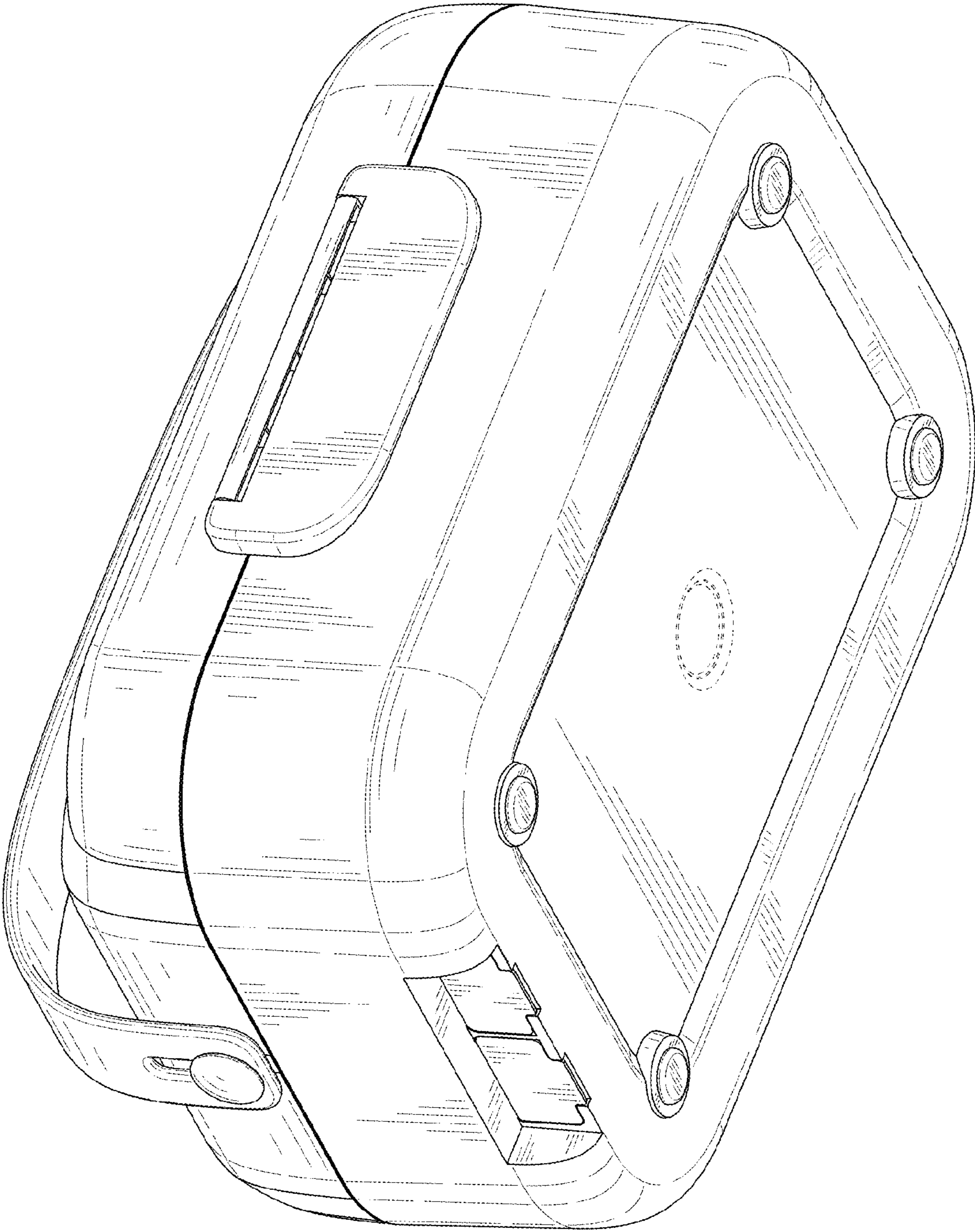


FIG. 2

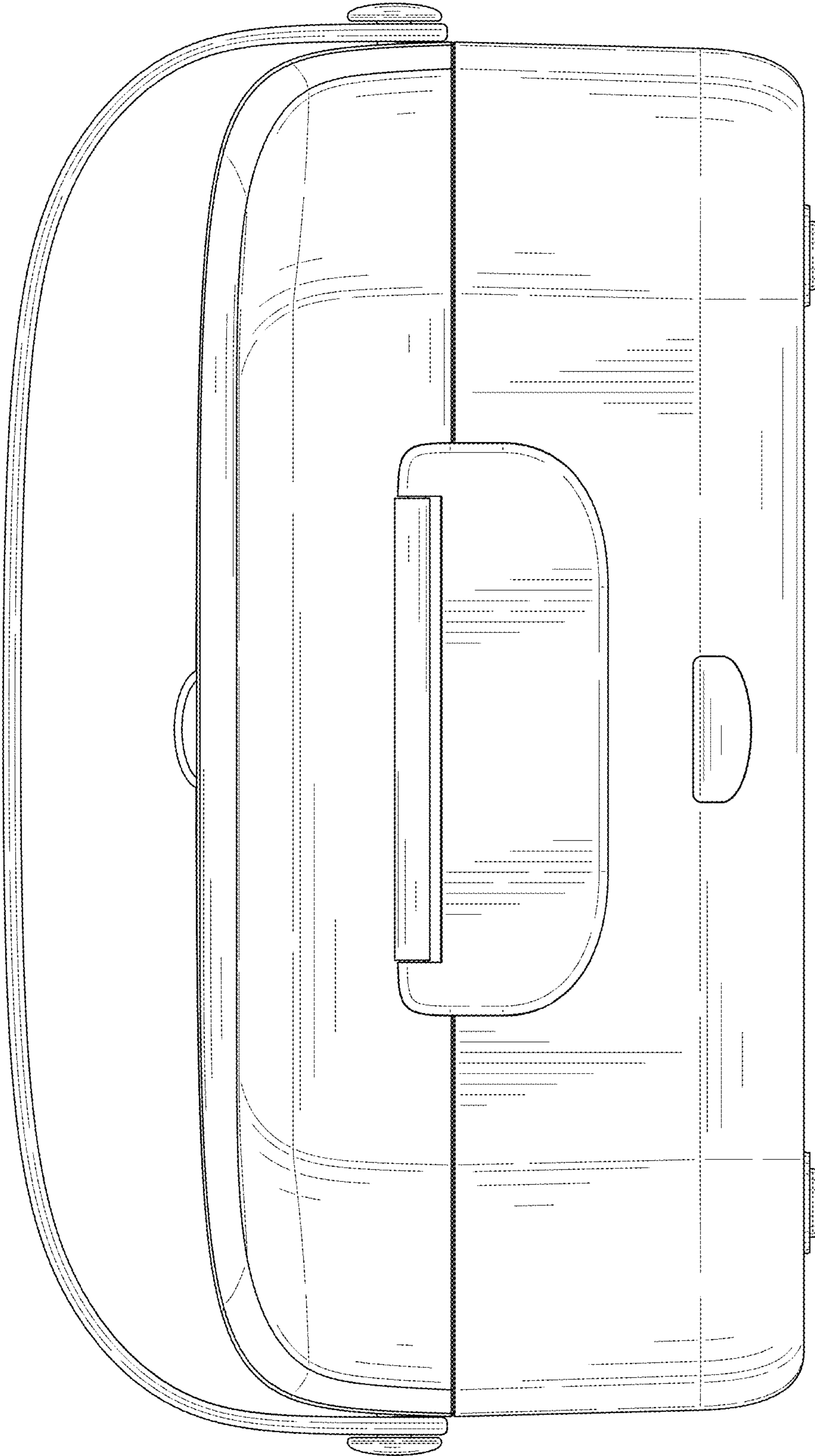


FIG. 3

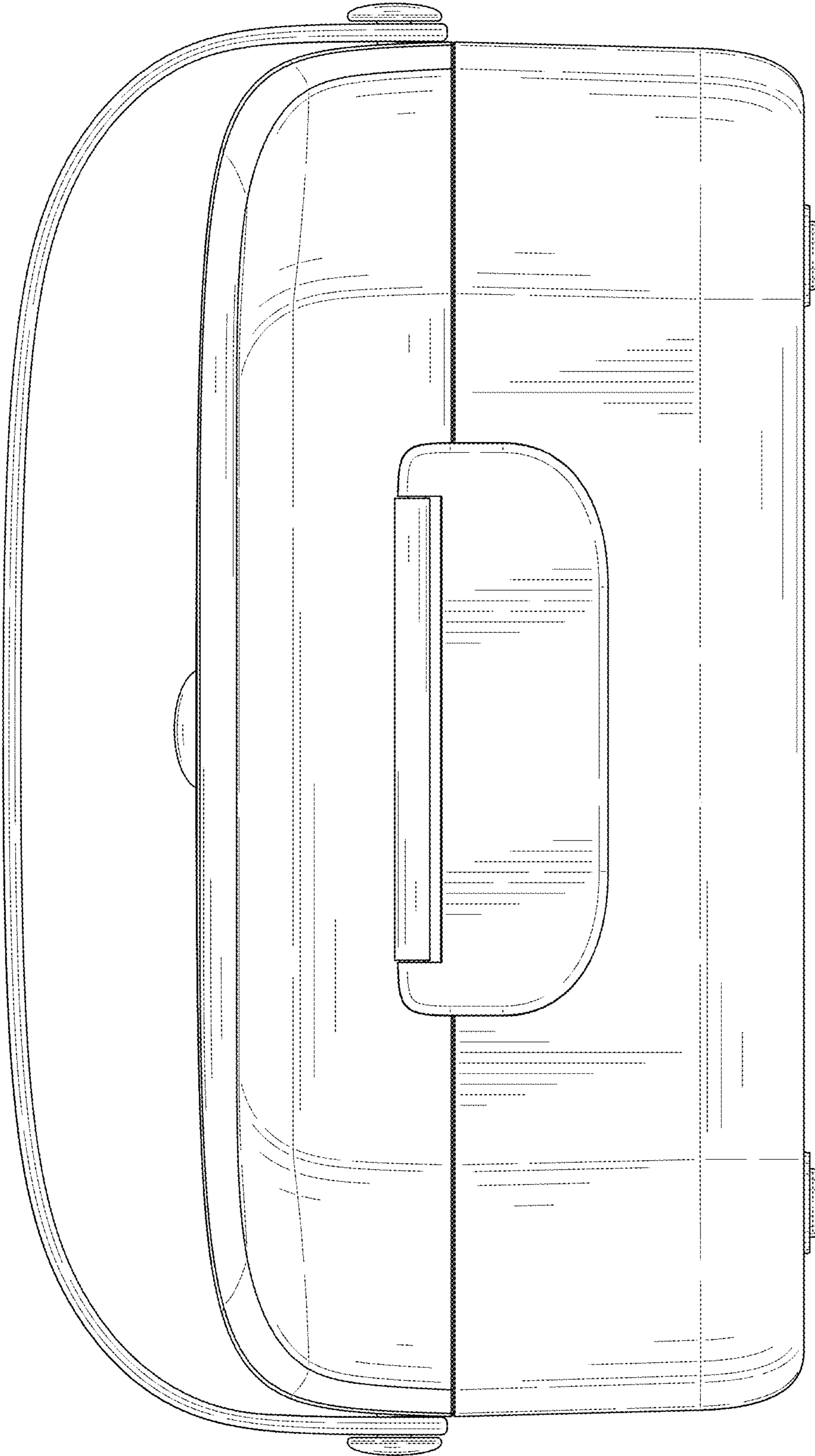


FIG. 4

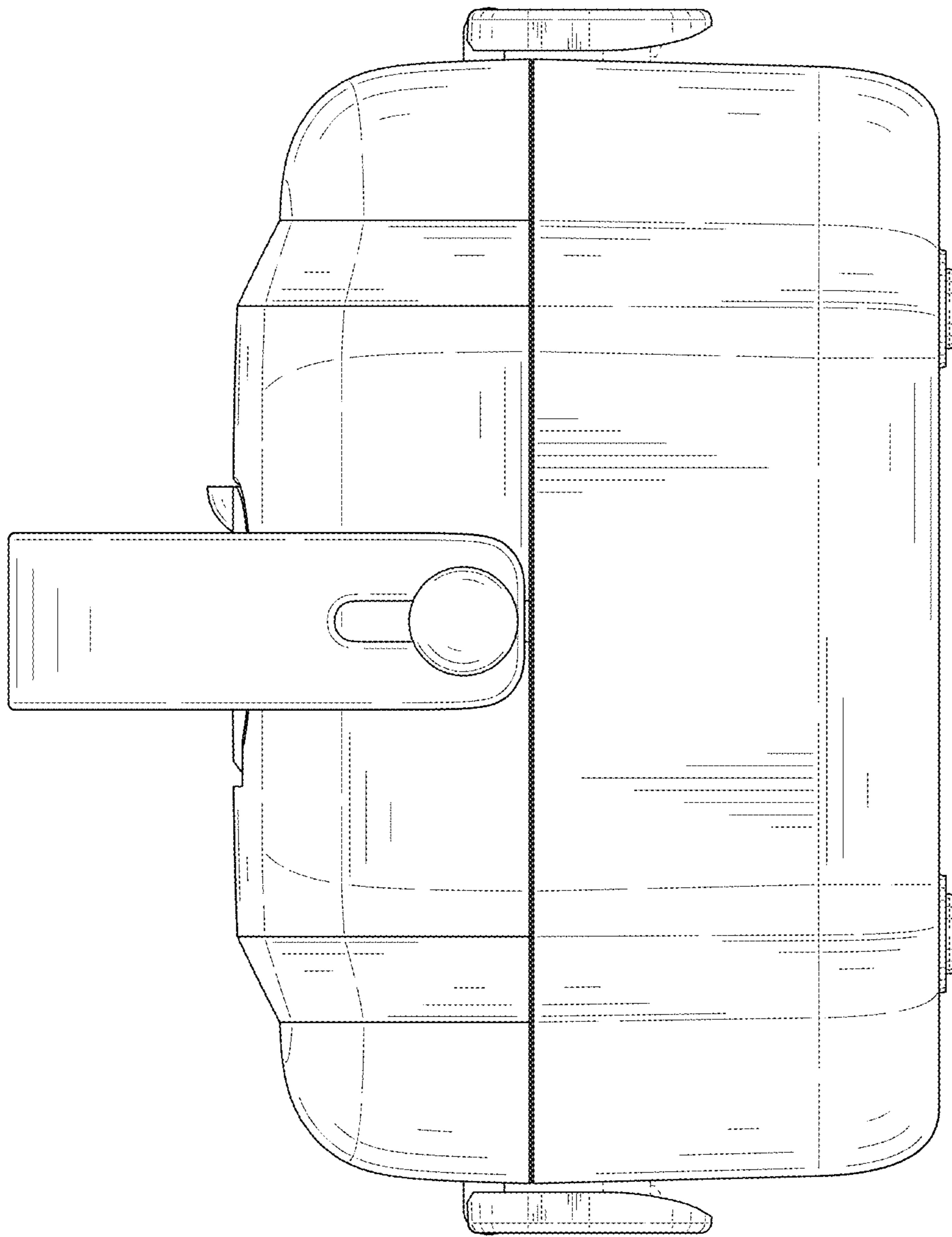


FIG. 5



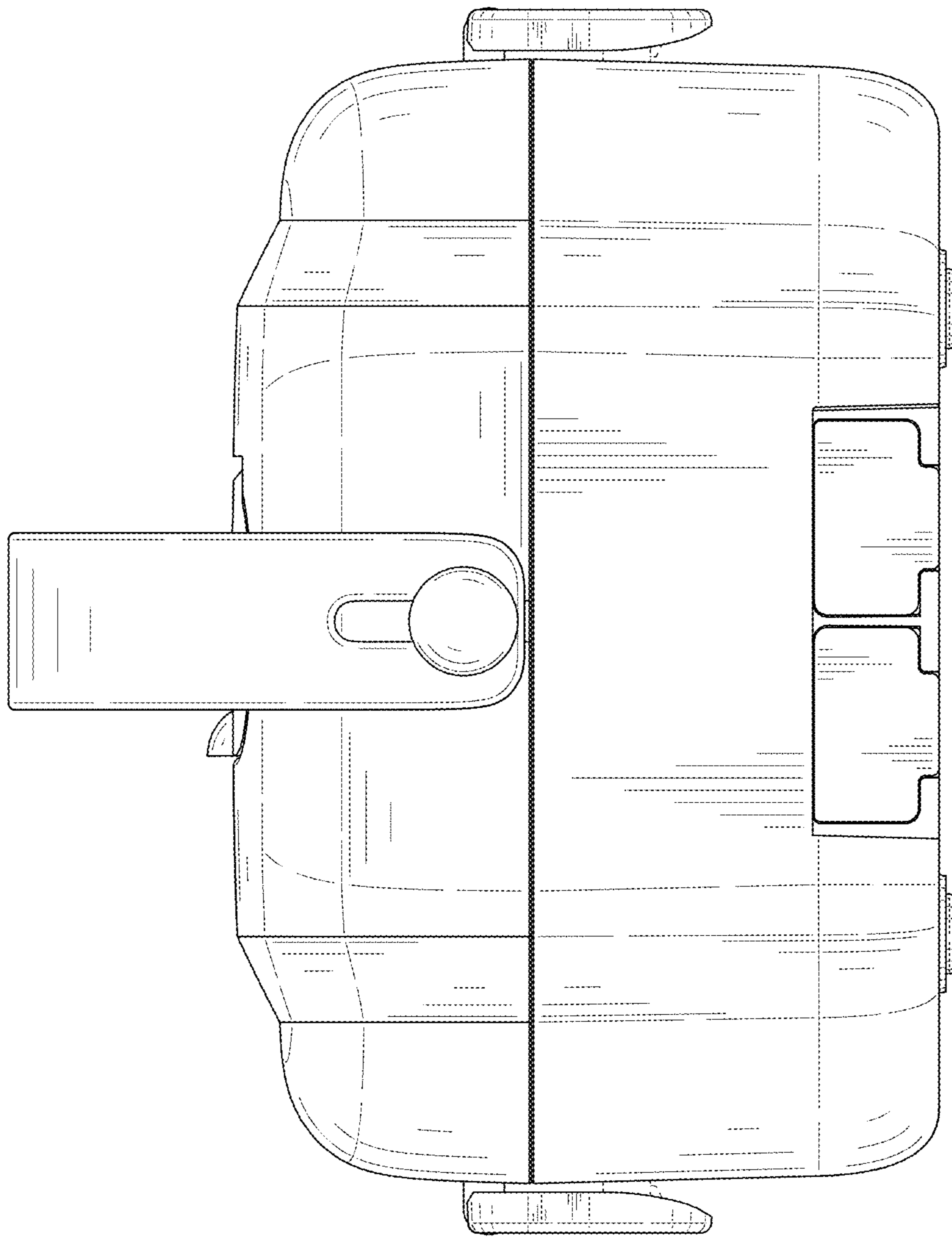


FIG. 6



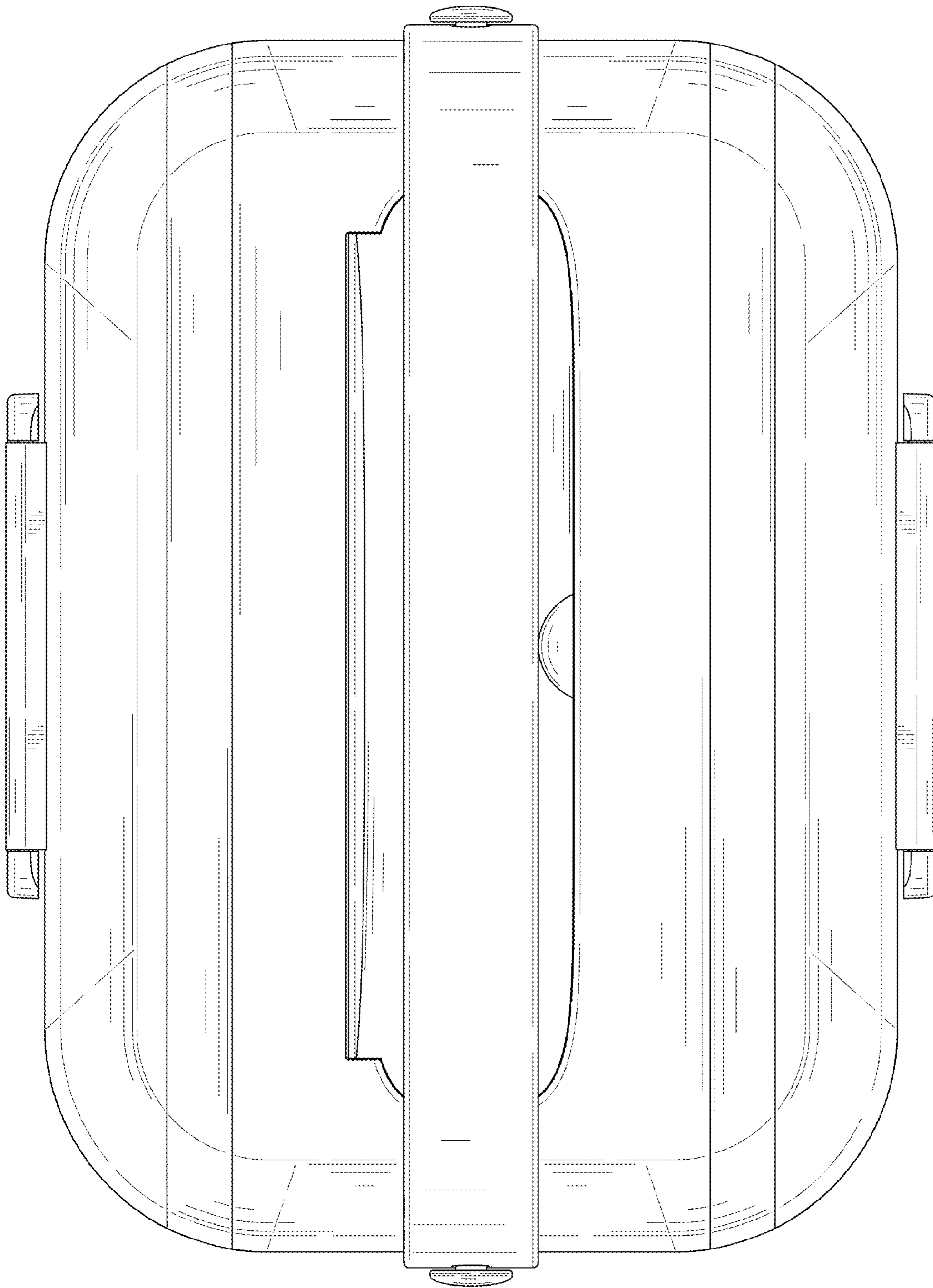


FIG. 7

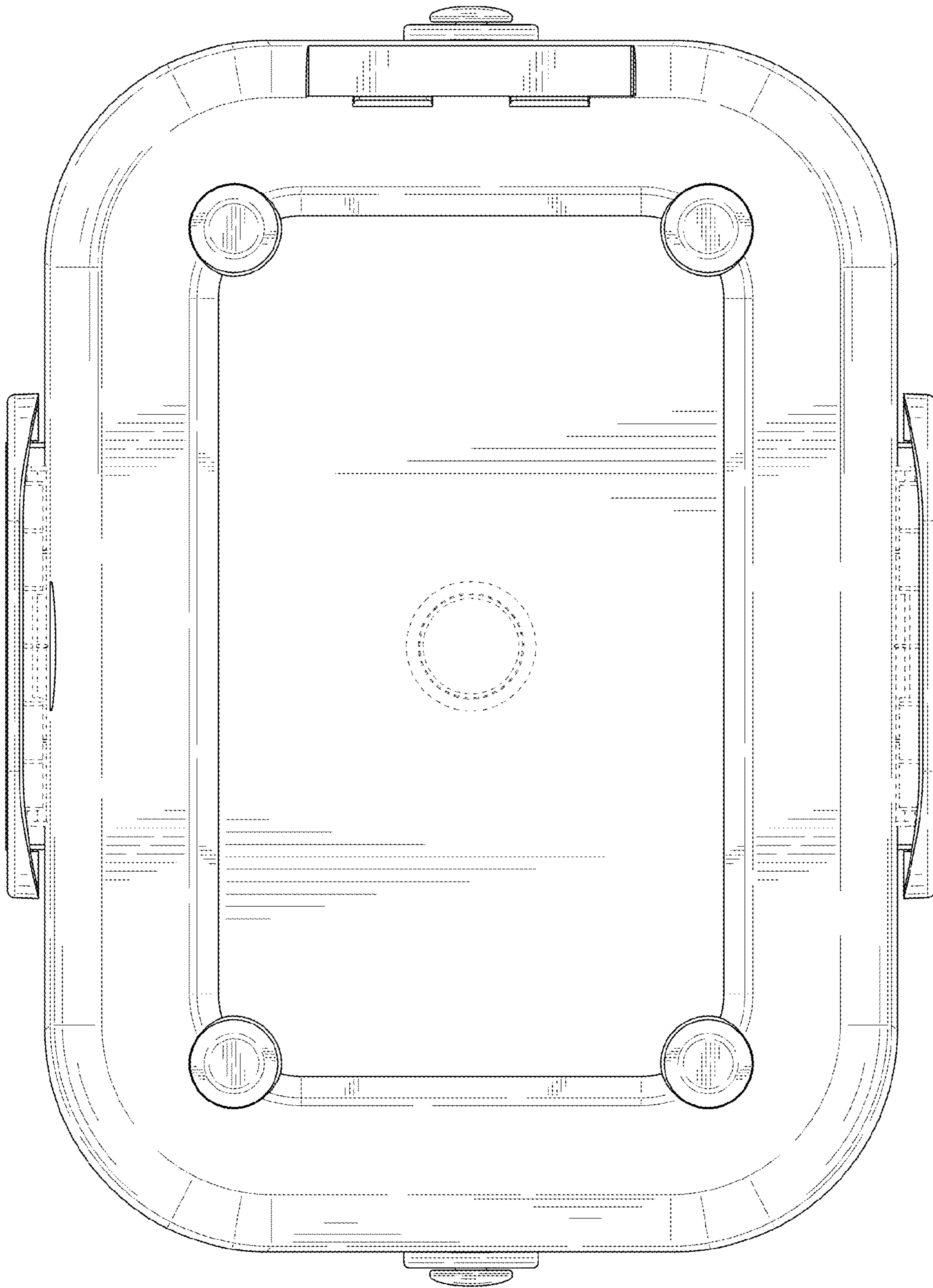


FIG. 8