



US00D963436S

(12) **United States Design Patent** (10) **Patent No.:** **US D963,436 S**
Chen (45) **Date of Patent:** **** Sep. 13, 2022**

(54) **LUNCH BOX**
(71) Applicant: **Haixia Chen**, Ruian (CN)
(72) Inventor: **Haixia Chen**, Ruian (CN)
(**) Term: **15 Years**
(21) Appl. No.: **29/819,410**
(22) Filed: **Dec. 15, 2021**
(51) **LOC (13) Cl.** **07-01**
(52) **U.S. Cl.**
USPC **D7/703; D7/629**
(58) **Field of Classification Search**
USPC D7/605–607, 709, 710; D3/201,
D3/203.1–203.8, 202–206
CPC F25D 3/08; F25D 3/02; F25D 3/04; F25D
3/06; F25D 3/14; F25D 3/107; F25D
2331/801; F25D 2331/804; B65D 81/38;
B65D 81/3813; B65D 81/3816; B65D
81/3818; B65D 81/382; B65D 81/3823;
B65D 81/3825; B65D 81/3827; B65D
81/383; B65D 81/3832; B65D 81/3834;
B65D 81/3848; B65D 81/3851; B65D
81/3853; B65D 81/3855; B65D 81/3858;
B65D 81/386; B65D 81/3862; B65D
81/3874; B65D 81/3216; B65D 25/00;
B65D 25/06; B65D 25/04; B65D 1/22;
B65D 1/24; A45C 11/20; A45C 3/00;
A45C 3/08; A45C 3/06; A45C 3/10;
A45C 1/00; A45C 13/008; A45C 13/02;
A45C 13/1046; A45C 5/00; A45C 5/02;
A45F 3/00
See application file for complete search history.

D479,955 S 9/2003 Samartgis
7,090,089 B2 * 8/2006 Lown B65D 43/0218
220/780
D566,484 S * 4/2008 George D7/629
D885,144 S 5/2020 Huckestein et al.
2011/0114526 A1 * 5/2011 Neumann A45C 11/20
206/459.5
2011/0240653 A1 * 10/2011 Castner B65D 45/02
220/526
2014/0103033 A1 * 4/2014 Beckman B65D 1/34
220/4.01
2019/0375551 A1 * 12/2019 Bell B65D 21/0222
2021/0037940 A1 * 2/2021 Kim A45C 13/02

OTHER PUBLICATIONS

Amazon.com, YFBXG Bento Boxes for Adults 4-compartmented
SS Bento Lunch Box, ASIN: B09L46THQ5, 10 pages, date first
available Nov. 5, 2021 (Year: 2021).*
Amazon.com, UXCELL Bento Box for Adults, Meal Lunch box for
Classes, SS Food Containers, ASIN: B08NF2W8X5, 9 pages, date
first available Nov. 13, 2020. (Year: 2020).*

* cited by examiner

Primary Examiner — Terry A Wallace

(57) **CLAIM**

The ornamental design for a lunch box, as shown and
described.

DESCRIPTION

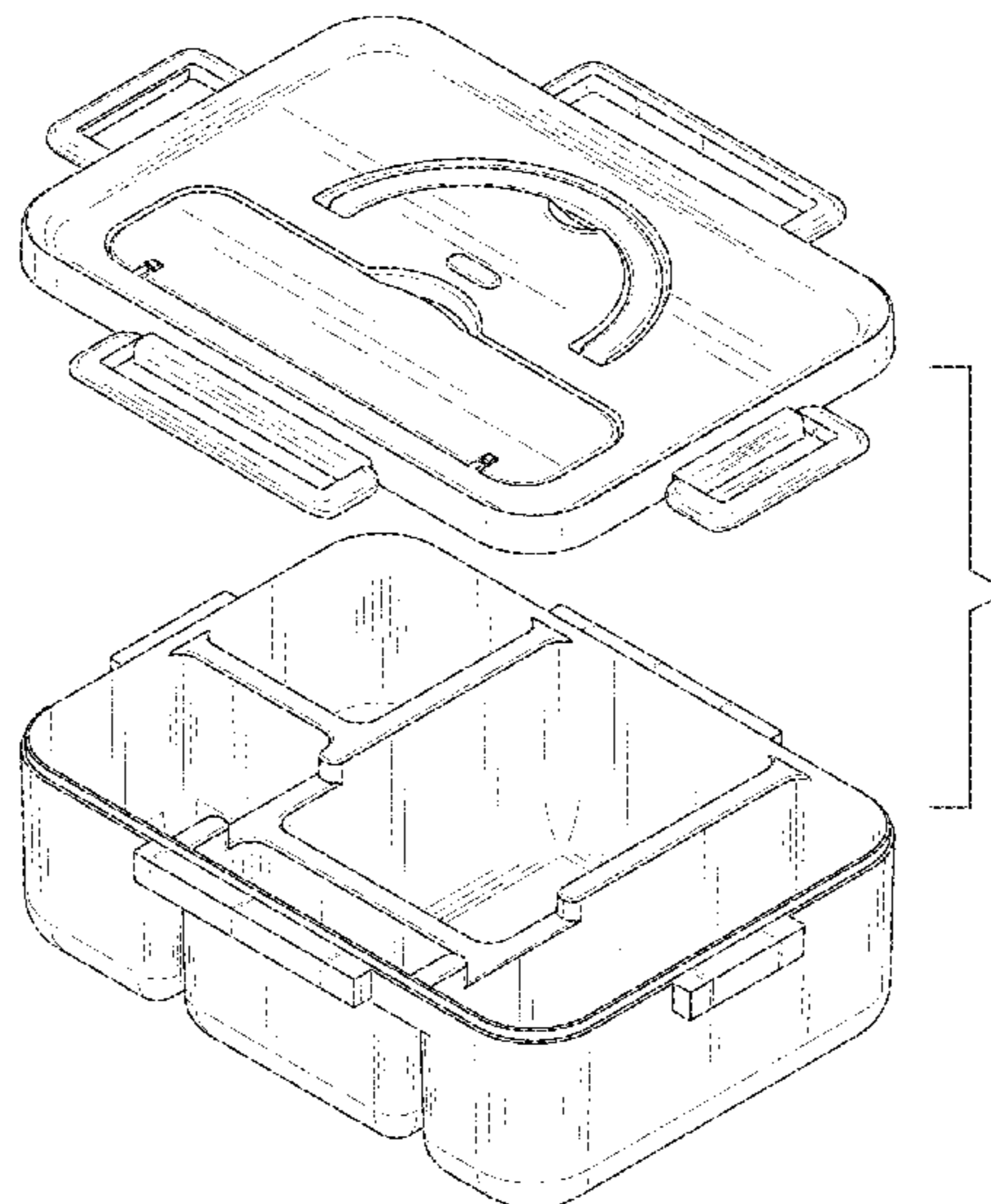
FIG. 1 is a perspective view of a lunch box showing my new
design;
FIG. 2 is another perspective view thereof;
FIG. 3 is an exploded perspective view of the lunch box;
FIG. 4 is a front elevational view of FIG. 1;
FIG. 5 is a rear elevational view thereof;
FIG. 6 is a left side elevational view thereof;
FIG. 7 is a right side elevational view thereof;
FIG. 8 is a top plan view thereof; and,
FIG. 9 is a bottom plan view thereof.

(56) **References Cited**

U.S. PATENT DOCUMENTS

6,144,016 A * 11/2000 Garvin F24C 7/10
220/523
D472,774 S * 4/2003 Pelstring D7/629

1 Claim, 9 Drawing Sheets



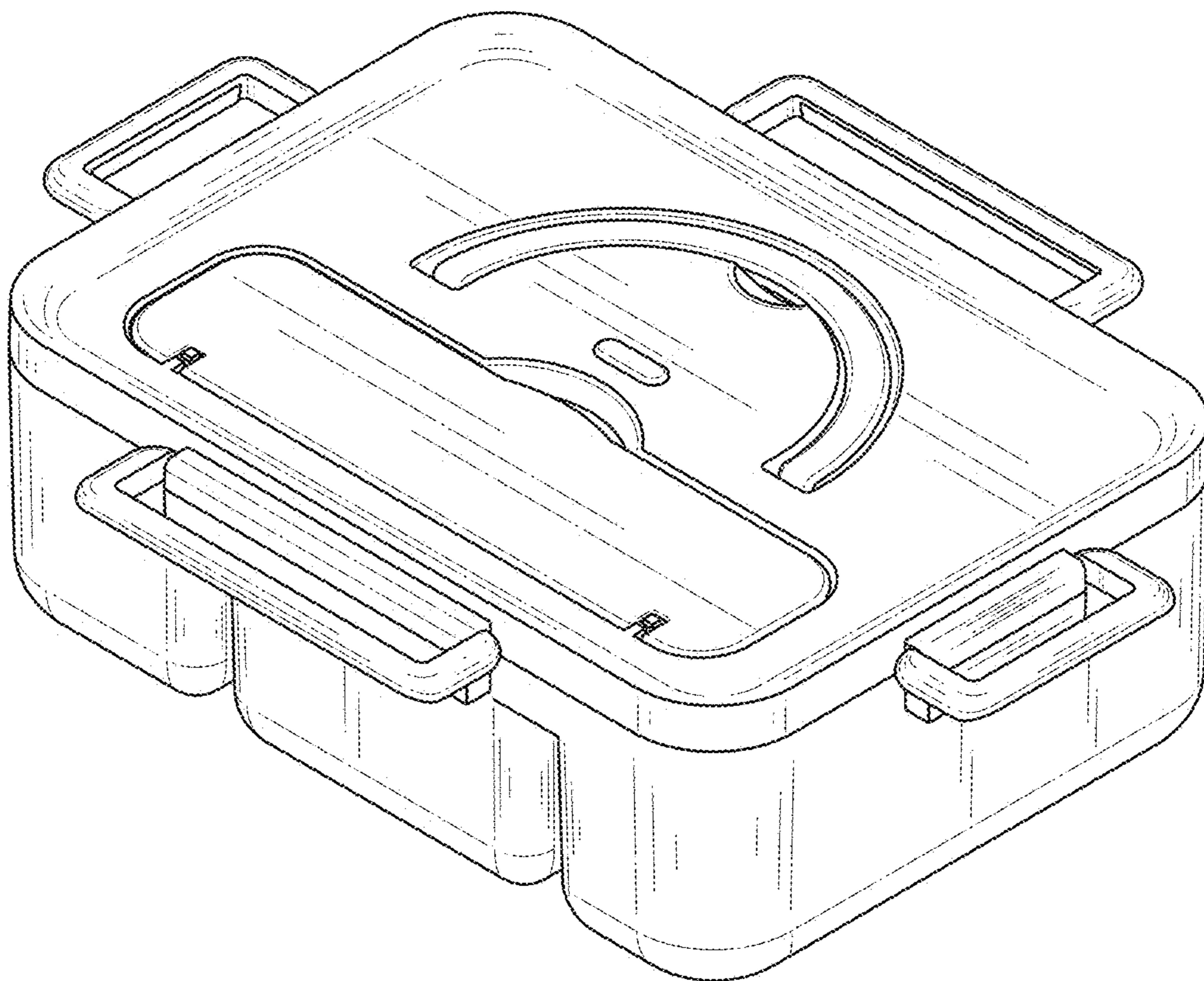


FIG.1

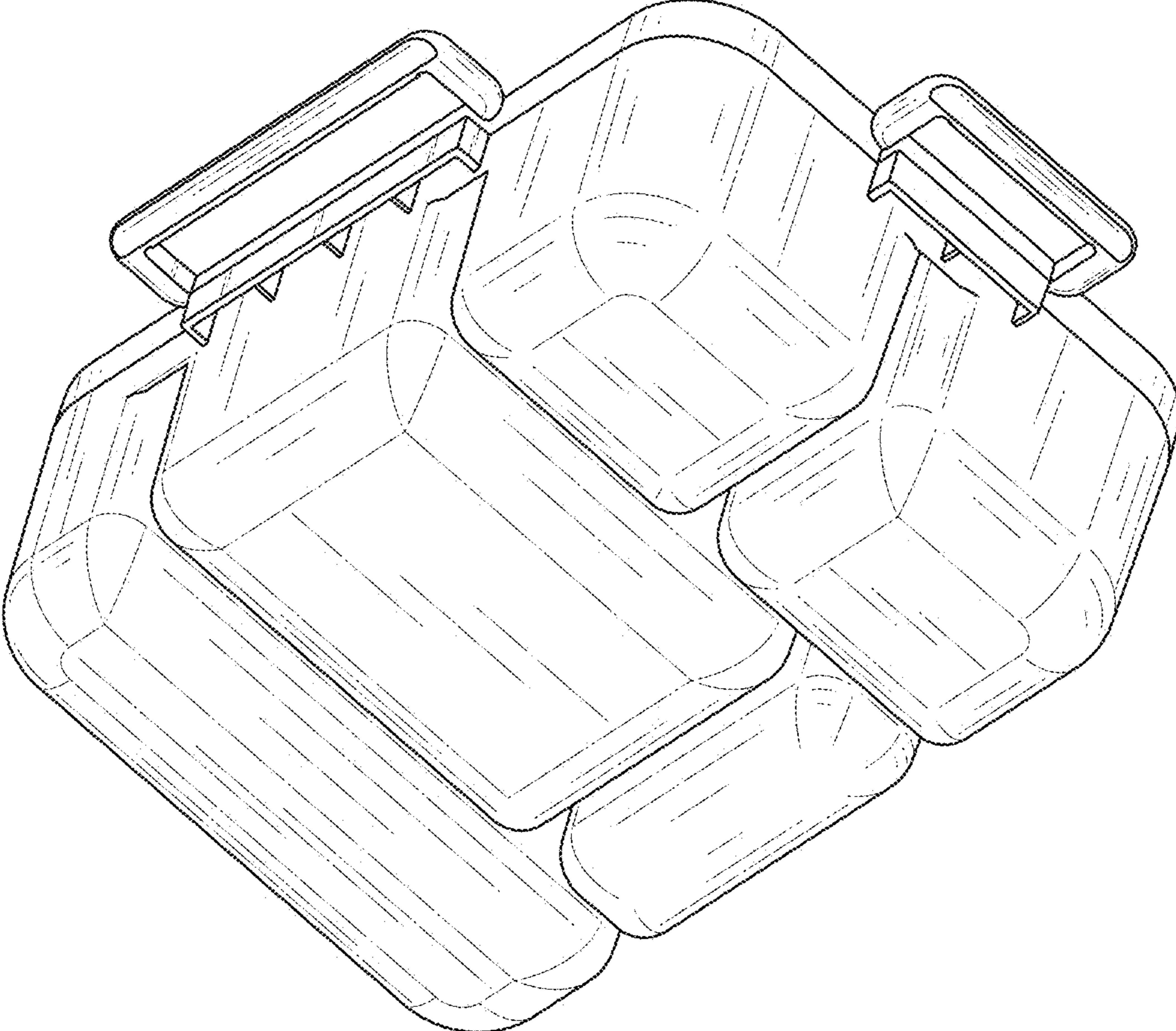


FIG.2

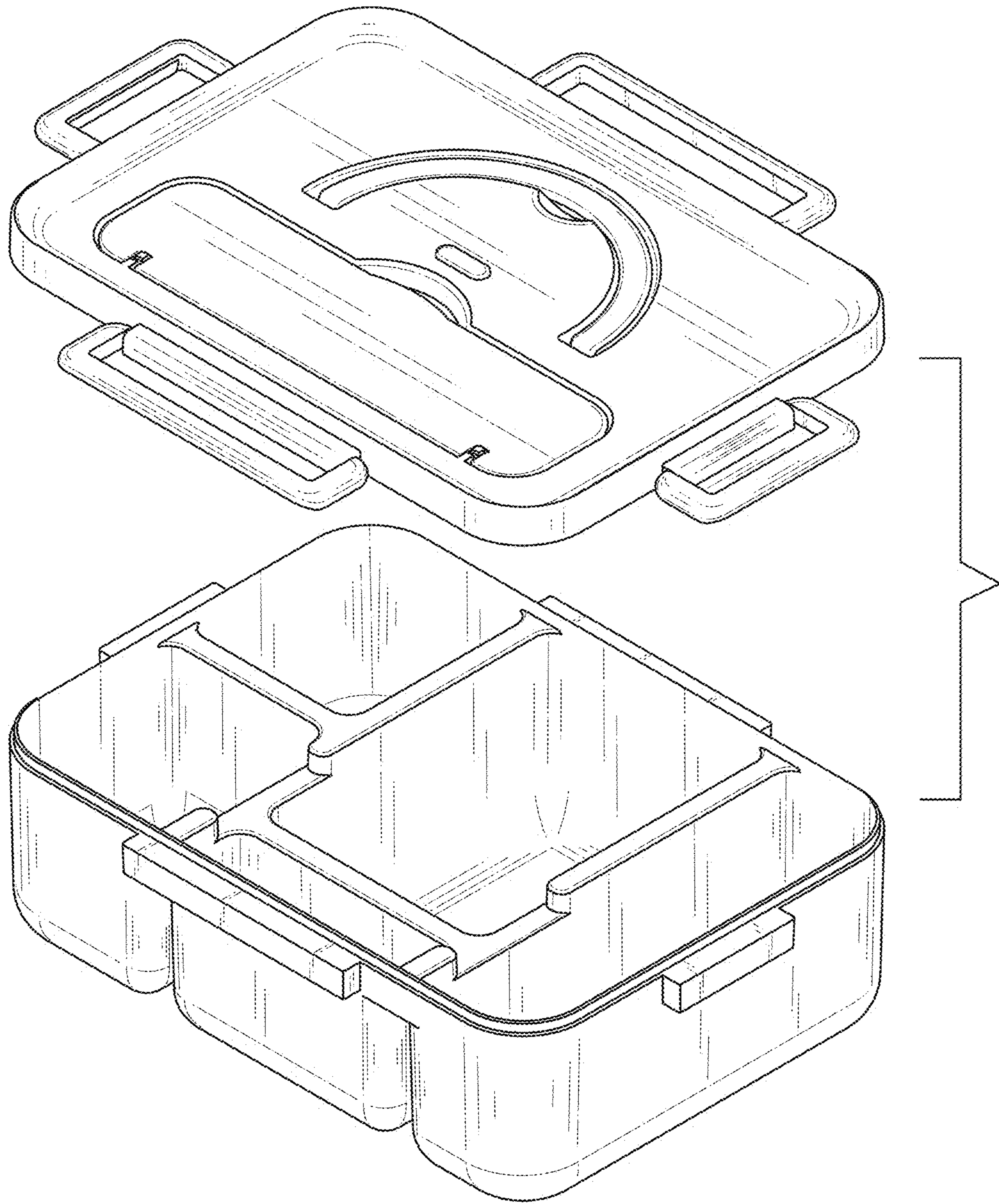


FIG. 3

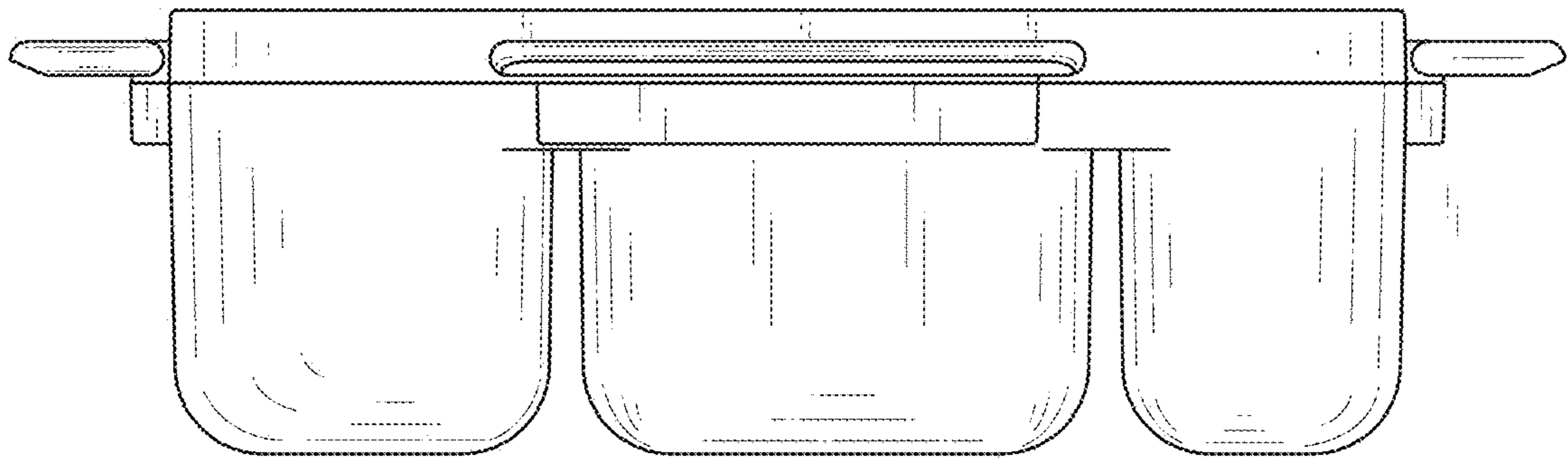


FIG.4

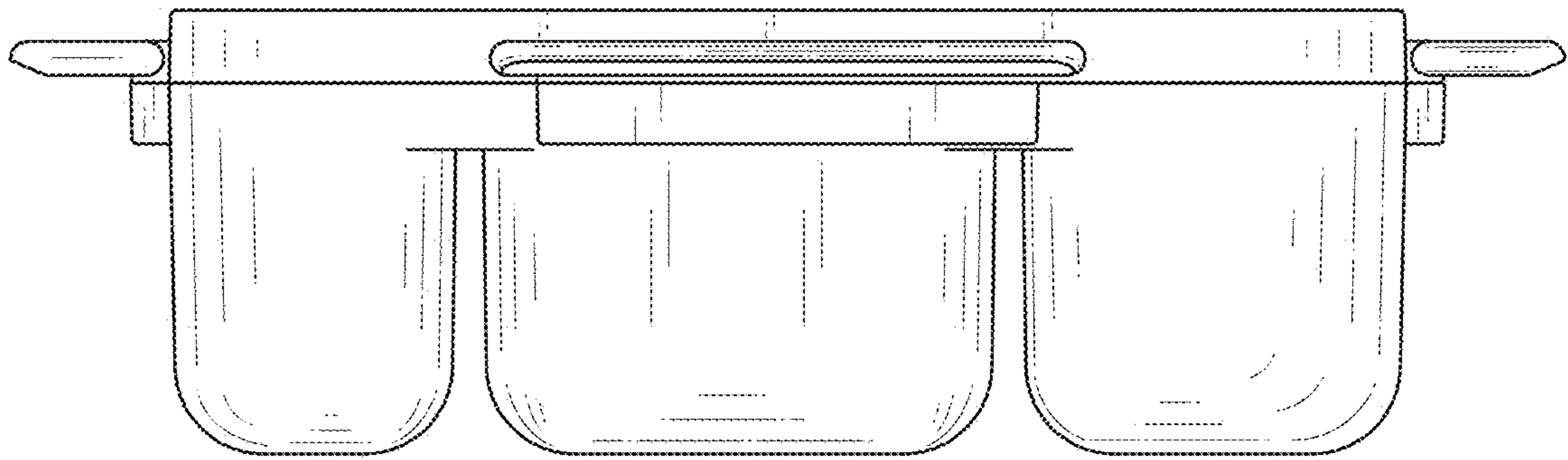


FIG.5

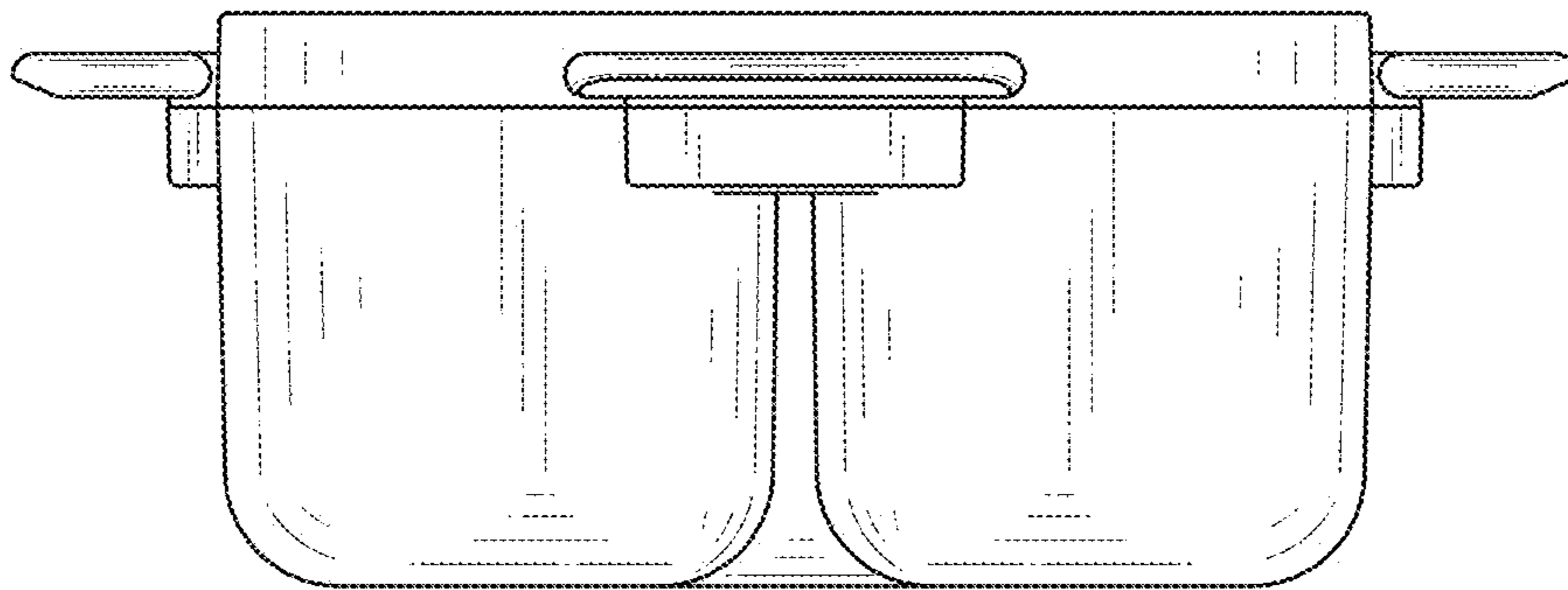


FIG.6

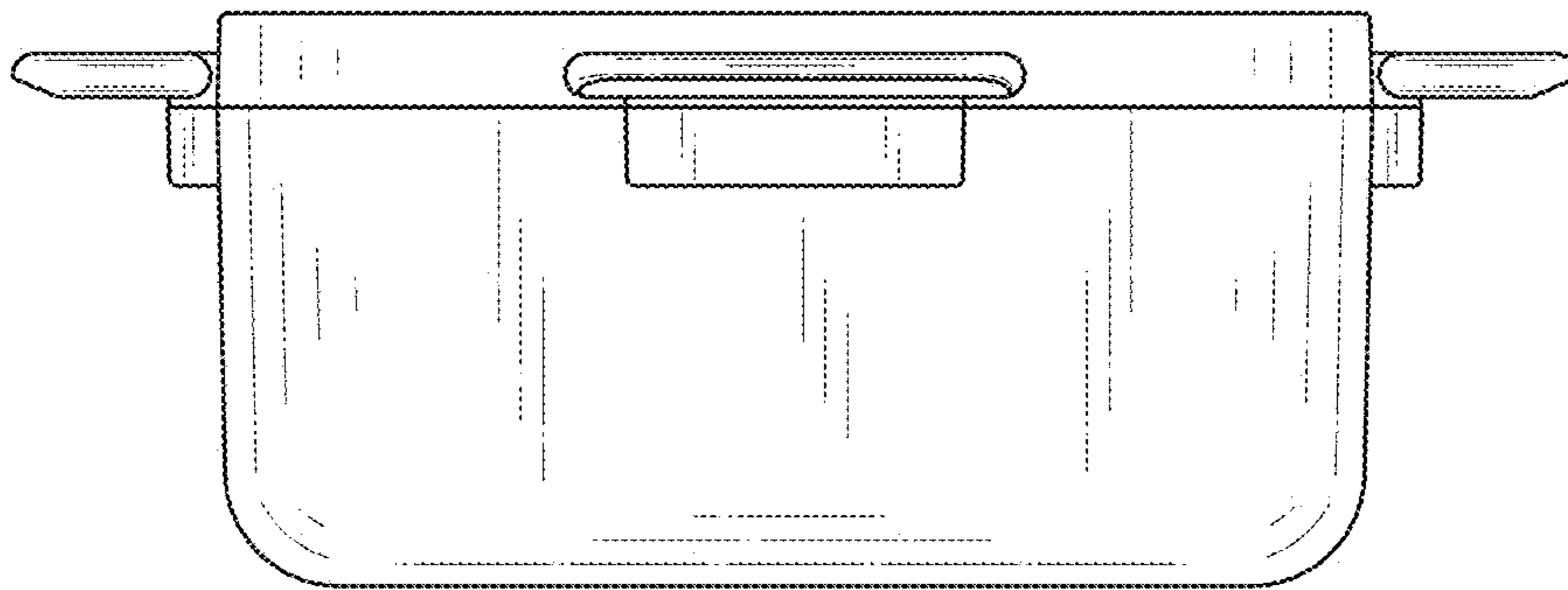


FIG.7

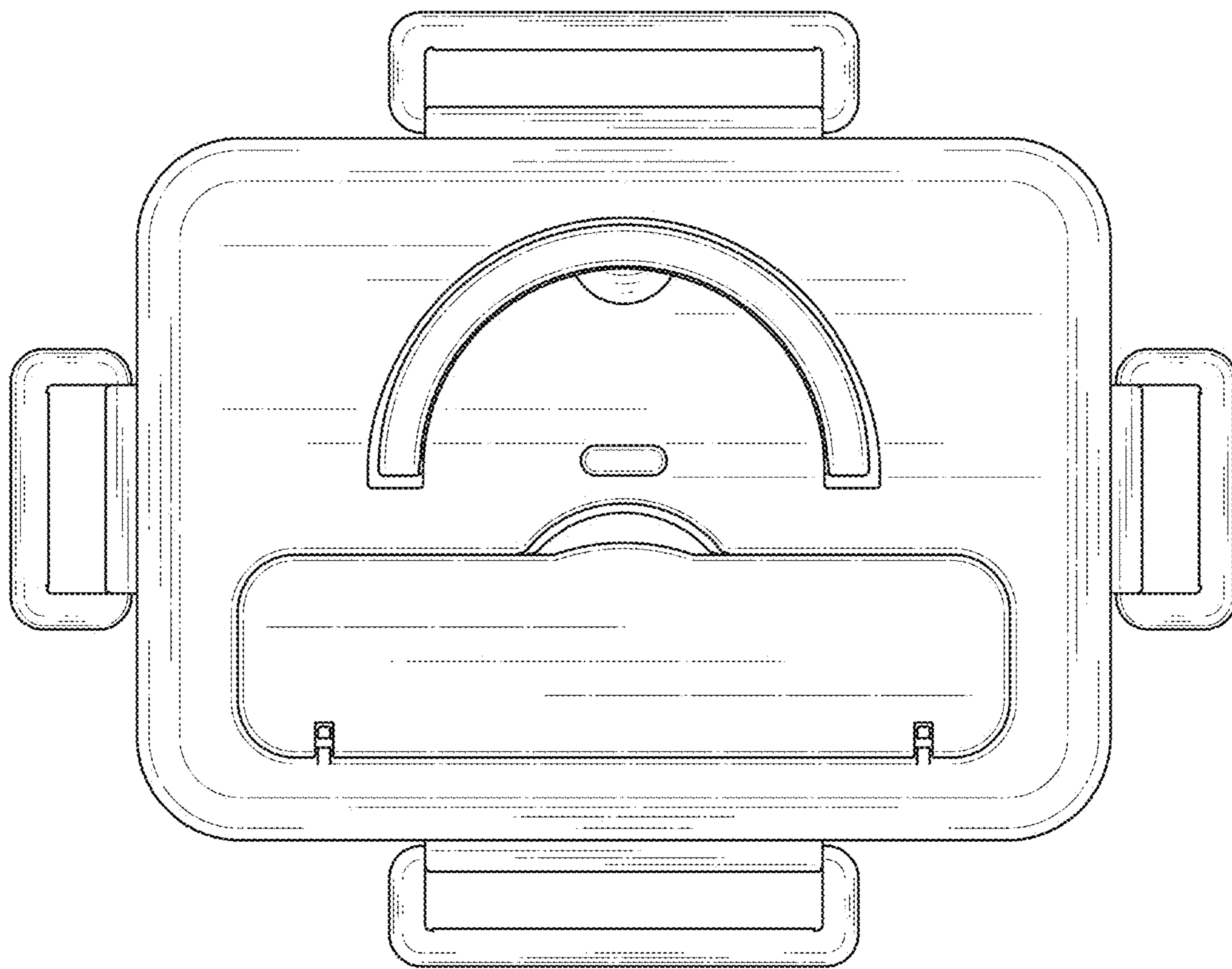


FIG.8

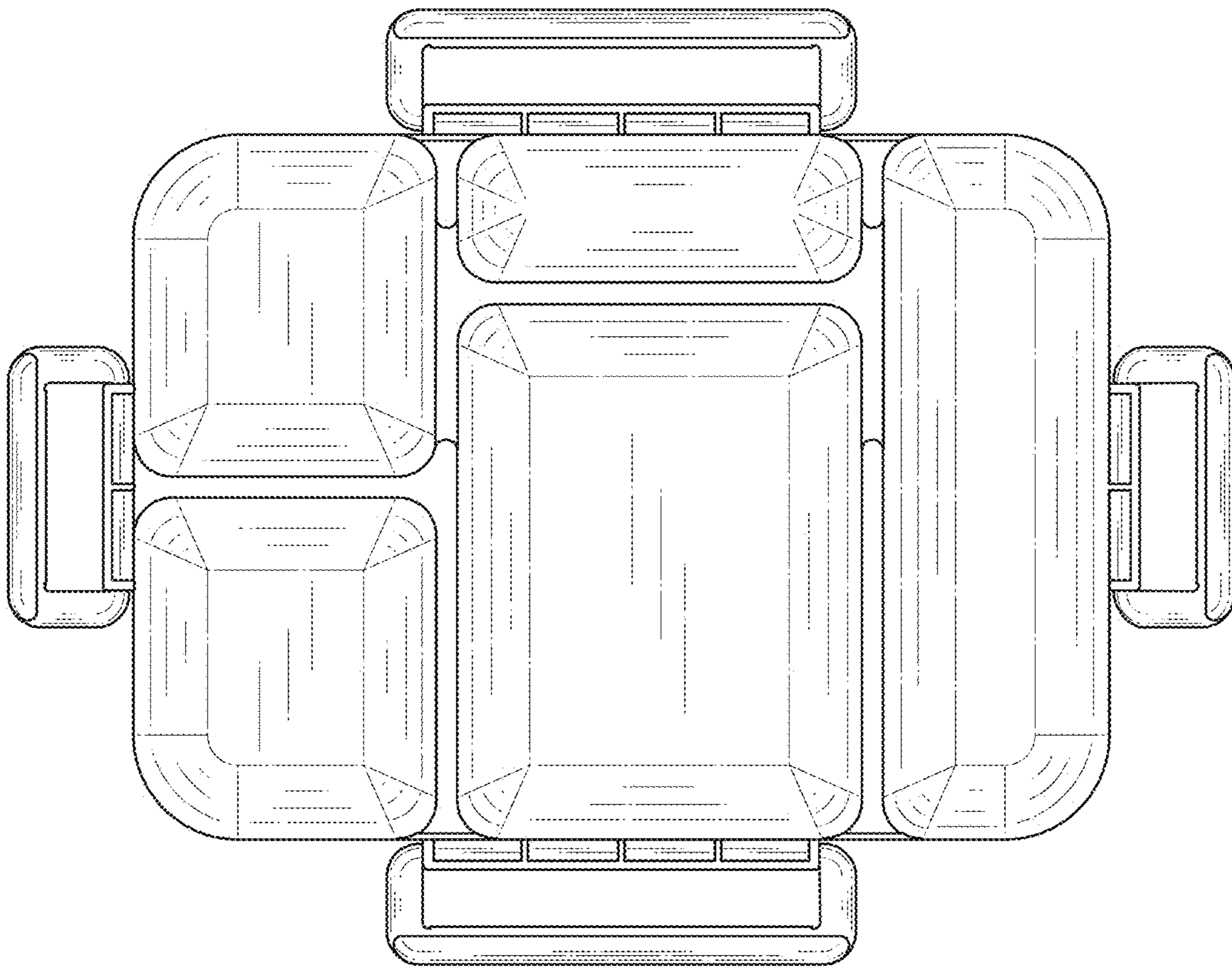


FIG.9