



US00D963435S

(12) **United States Design Patent** (10) **Patent No.:** **US D963,435 S**
Wang (45) **Date of Patent:** **** Sep. 13, 2022**

(54) **WINE GLASS HOLDER**
(71) Applicant: **Chunxiao Wang**, Zhejiang (CN)
(72) Inventor: **Chunxiao Wang**, Zhejiang (CN)
(**) Term: **15 Years**
(21) Appl. No.: **29/798,697**
(22) Filed: **Jul. 9, 2021**

D495,530 S * 9/2004 Marsden D6/682.2
D505,841 S * 6/2005 Fiedeler D7/637
D817,728 S * 5/2018 Brown D7/701
D857,430 S * 8/2019 Ravid D6/682.2
D879,518 S * 3/2020 Shalit D6/682.2
D906,068 S * 12/2020 Yang D7/701
D907,972 S 1/2021 Wang
D911,789 S 3/2021 Wang
D925,304 S * 7/2021 Lukyanov D6/682.2
D938,789 S * 12/2021 Tu D7/701
D941,647 S * 1/2022 Winter D7/701

* cited by examiner

(30) **Foreign Application Priority Data**

Jul. 1, 2021 (EM) 008598619
(51) **LOC (13) Cl.** **07-06**
(52) **U.S. Cl.**
USPC **D7/701**

(58) **Field of Classification Search**
USPC D7/701-708, 600.1-600.4; D3/304,
D3/306-314; D6/675.5, 677.5, 676.5,
D6/678.4, 567, 534, 553, 682.2, 569, 571
CPC A47B 73/00; A47B 73/006; A47B 73/004;
A47B 13/16; A47G 23/0641; A47G
23/06; A47G 23/0208; A47G 23/02;
A47G 23/0241; A47F 5/16; A47F 7/28;
A47F 7/283; B25H 3/04; A47J 47/16
See application file for complete search history.

(56) **References Cited**

U.S. PATENT DOCUMENTS

D127,900 S * 6/1941 Block D6/699
D381,515 S * 7/1997 Haynes D24/227

Primary Examiner — Terry A Wallace
(74) *Attorney, Agent, or Firm* — ScienBiziP, P.C.

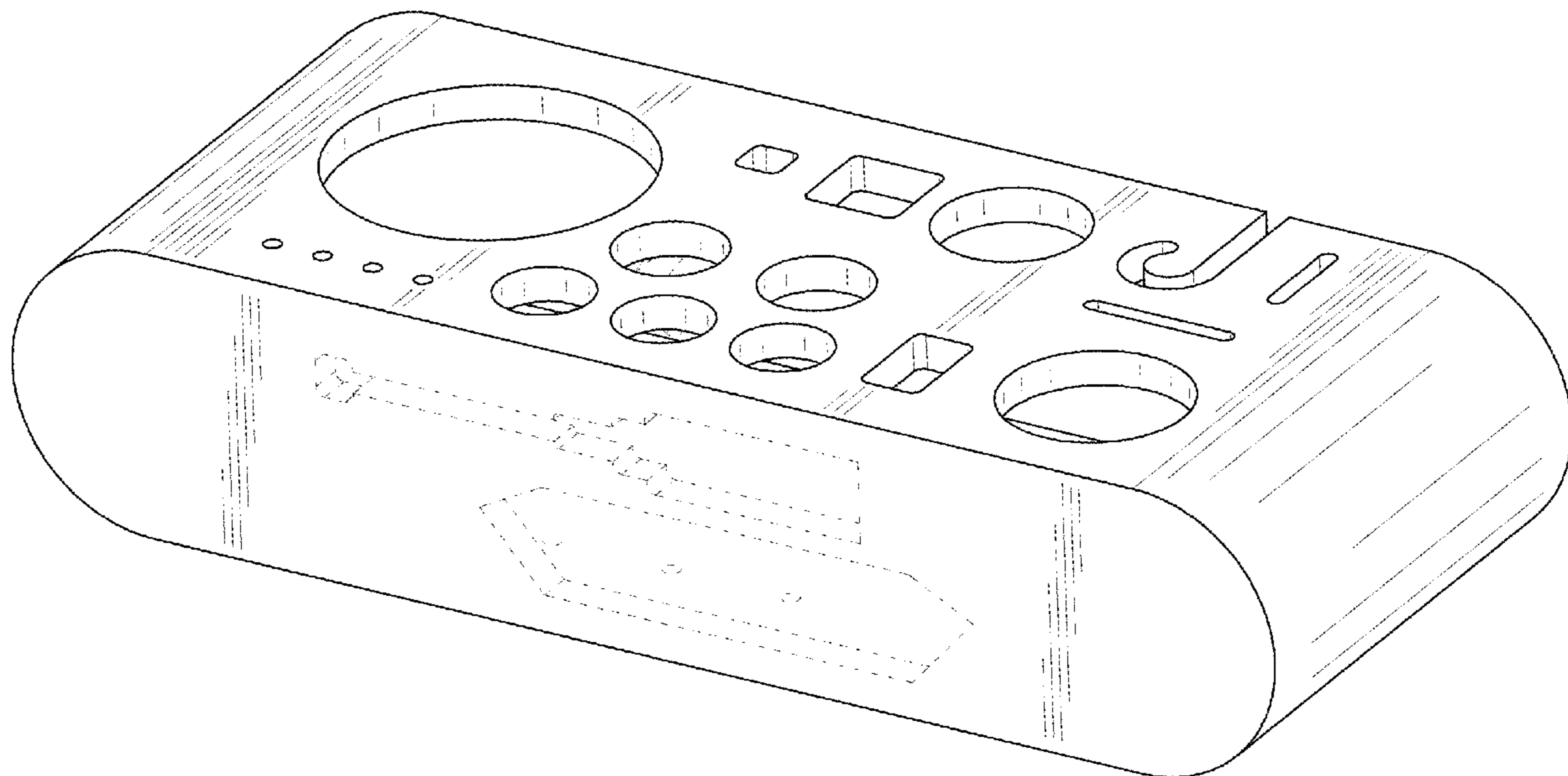
(57) **CLAIM**

The ornamental design for a wine glass holder, as shown and described.

DESCRIPTION

FIG. 1 is a front, right, and top perspective view of a wine glass holder, showing my design.
FIG. 2 is a rear, left, and bottom perspective view thereof.
FIG. 3 is a front elevation view thereof.
FIG. 4 is a rear elevation view thereof.
FIG. 5 is a left side elevation view thereof.
FIG. 6 is a right side elevation view thereof.
FIG. 7 is a top plan view thereof; and,
FIG. 8 is a bottom plan view thereof.
The broken lines shown in the drawings are included for the purpose of illustrating portions of the wine glass holder that form no part of the claimed design.

1 Claim, 8 Drawing Sheets



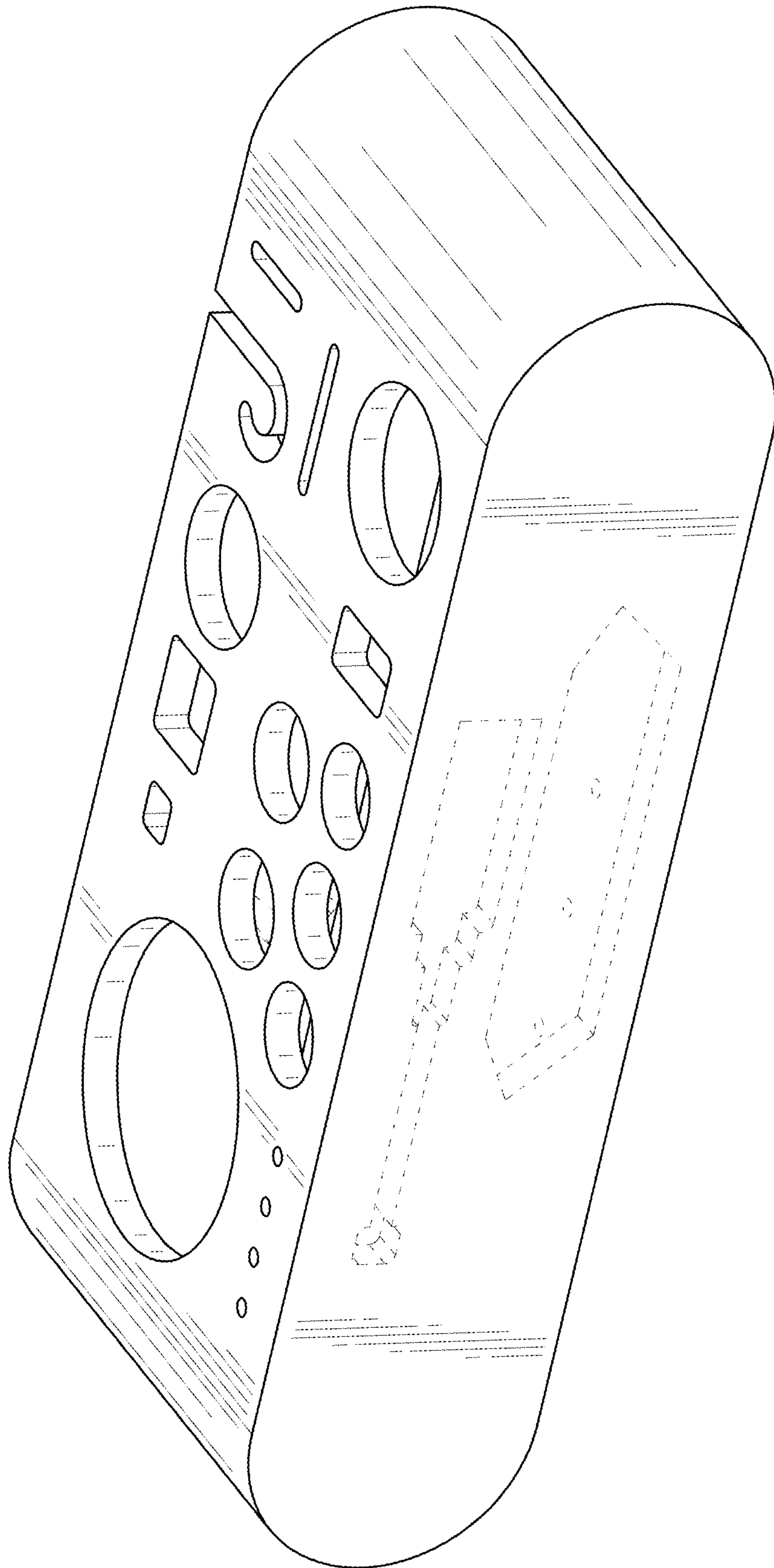


FIG. 1

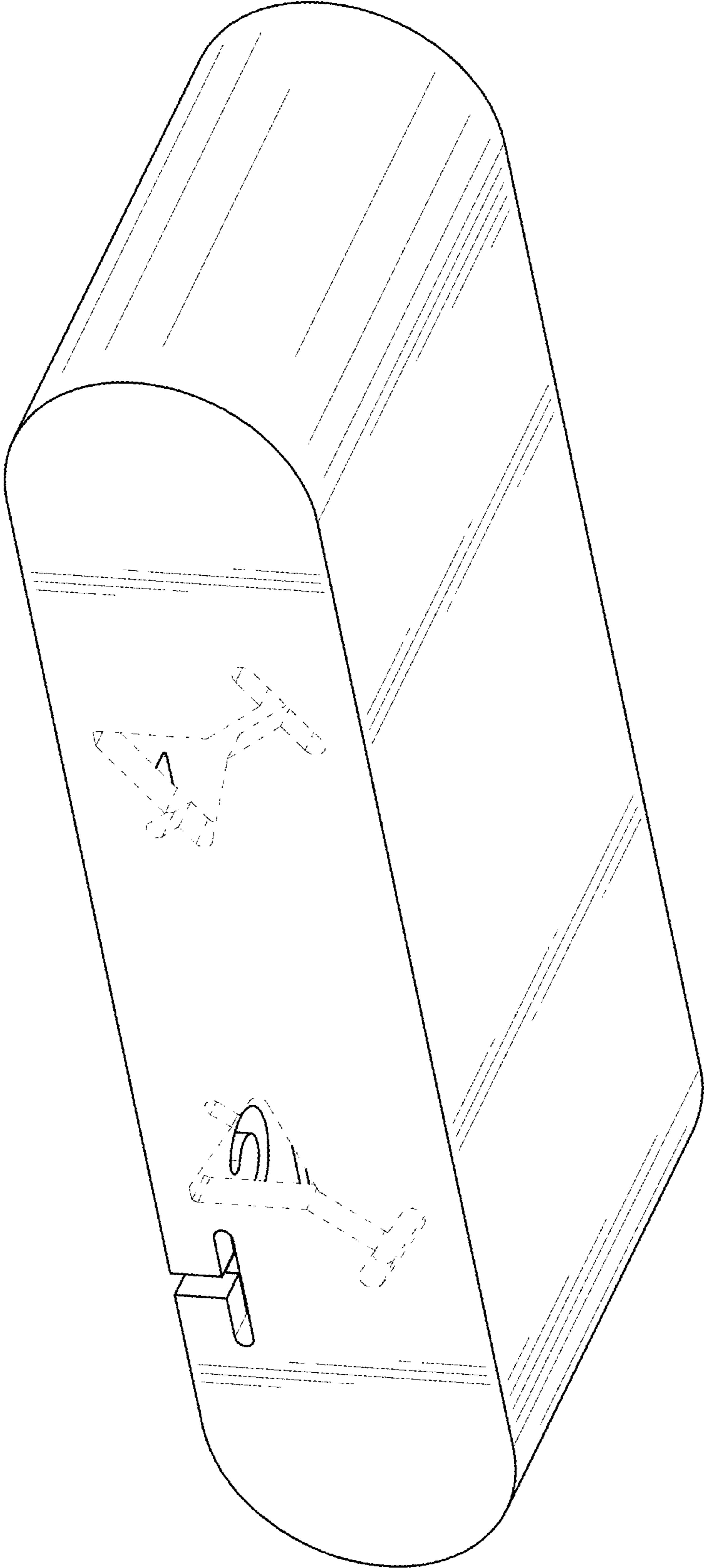


FIG. 2

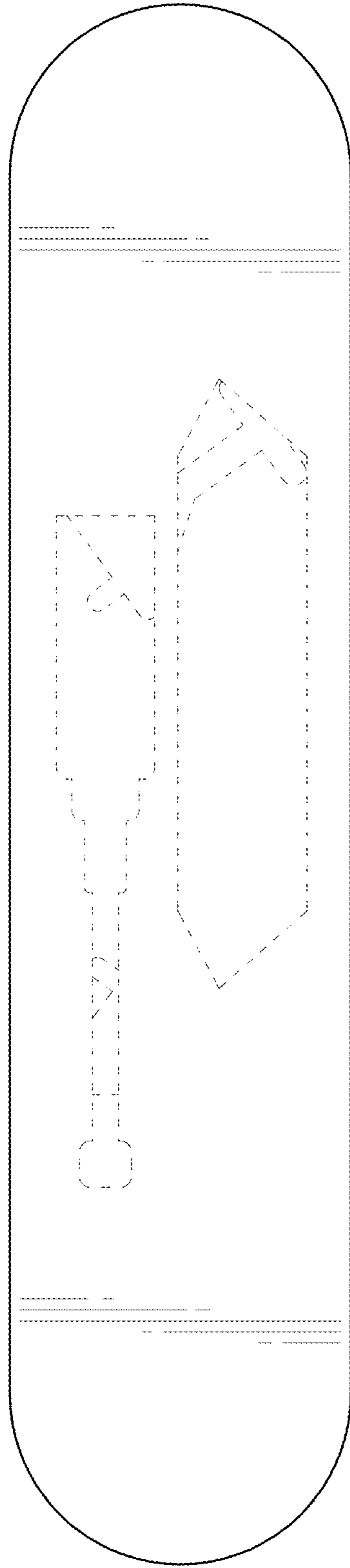


FIG. 3

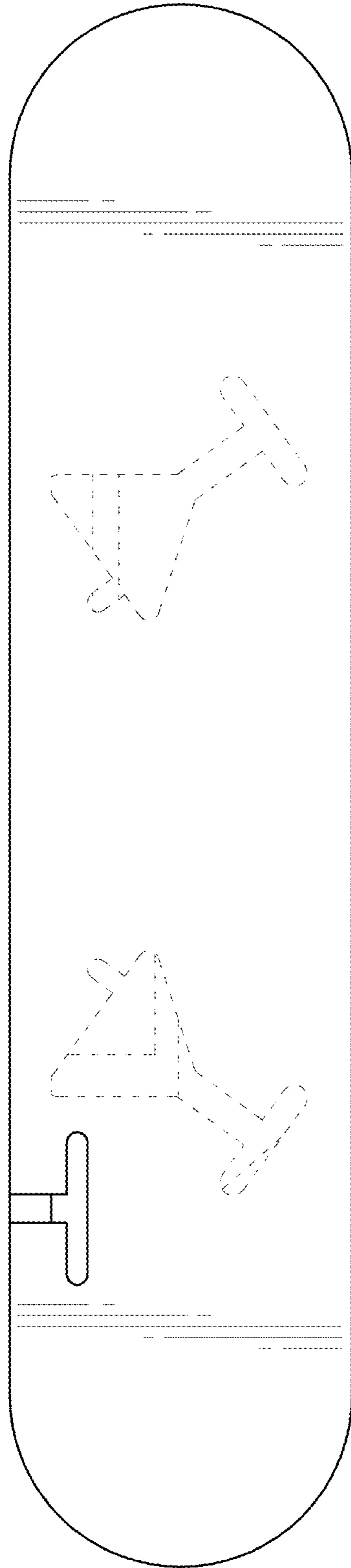


FIG. 4

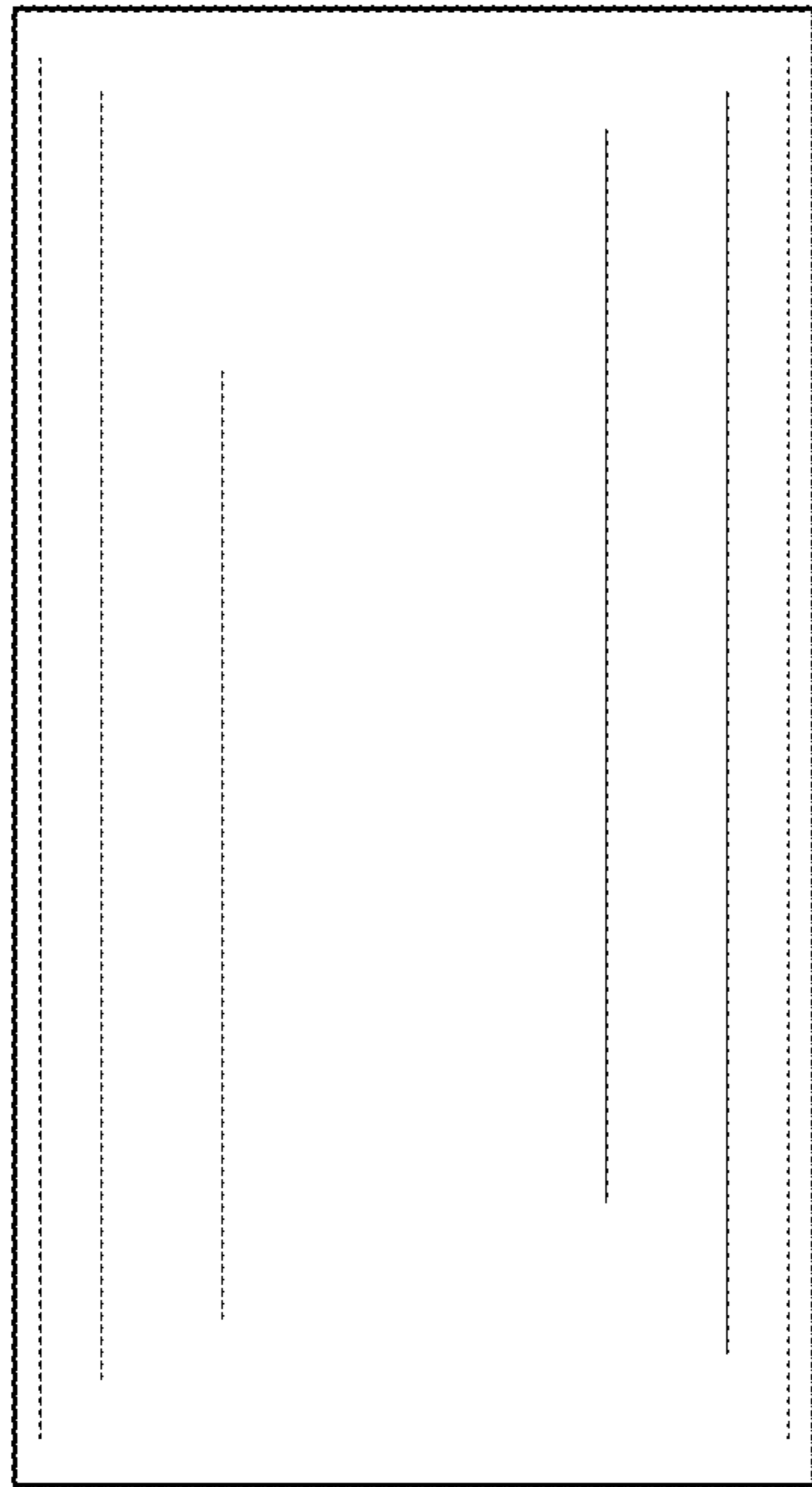


FIG. 5

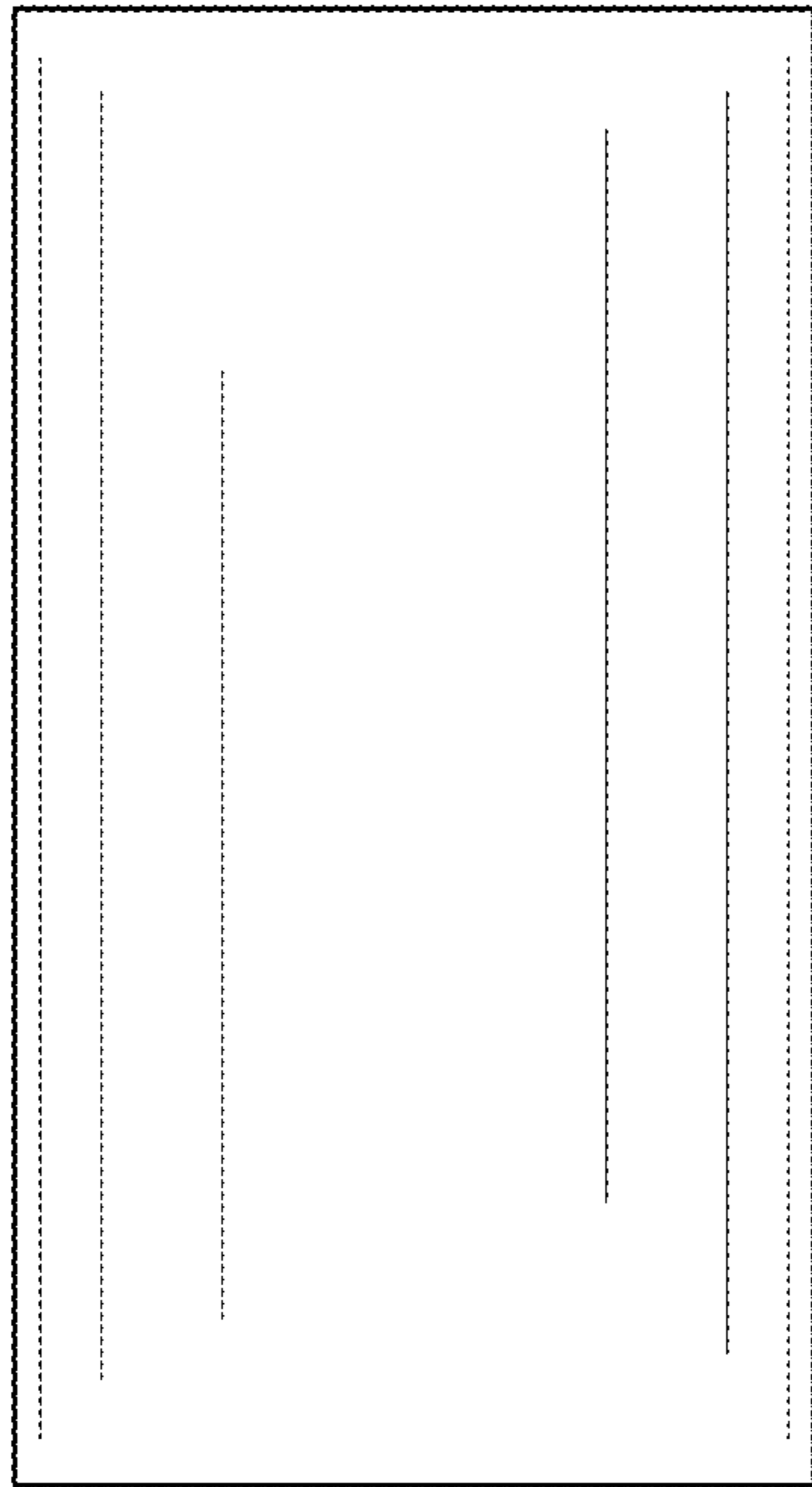


FIG. 6

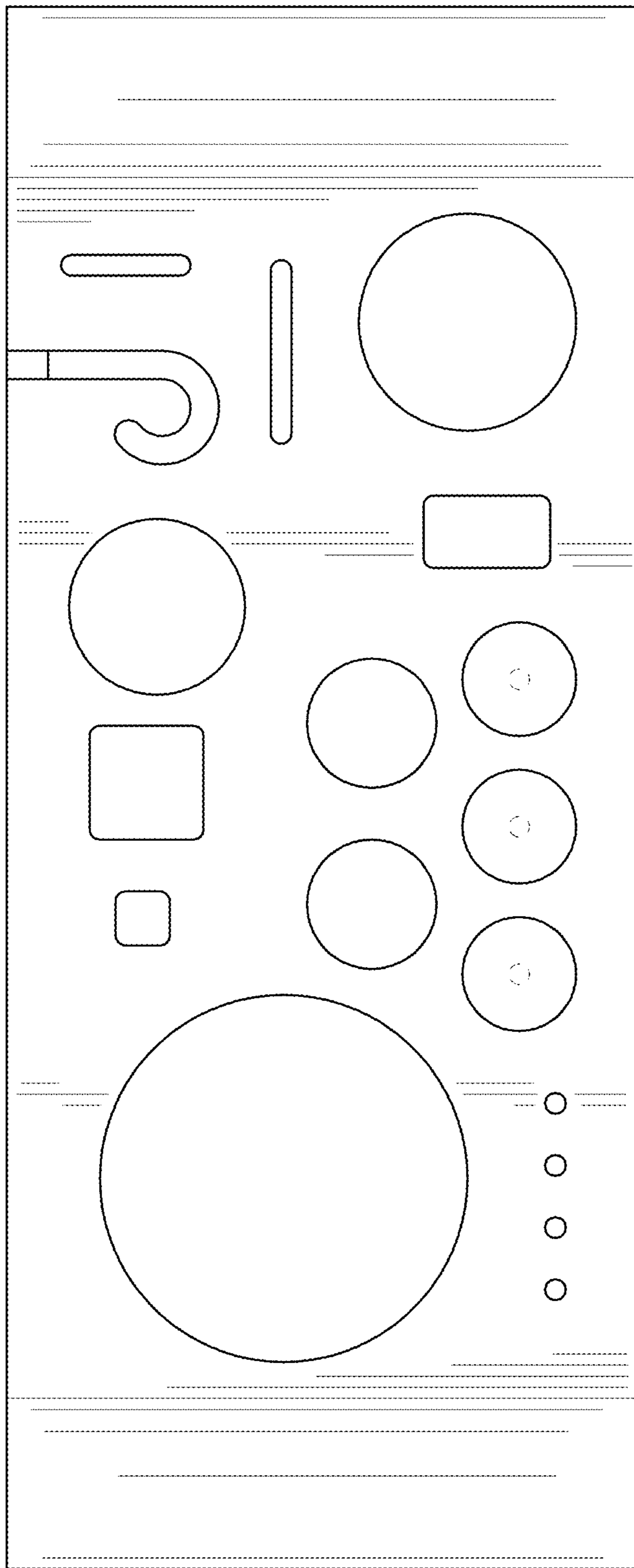


FIG. 7

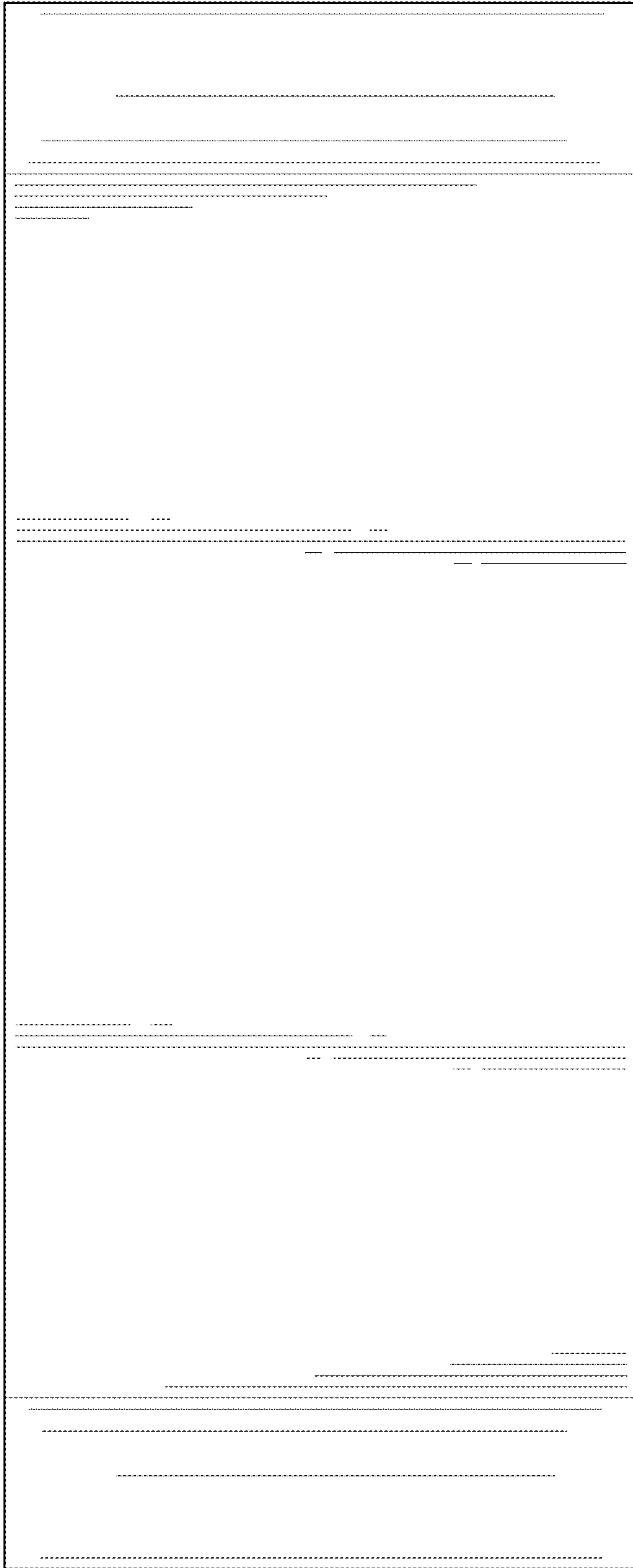


FIG. 8