



US00D963431S

(12) **United States Design Patent** (10) **Patent No.:** **US D963,431 S**
Thorin (45) **Date of Patent:** **** Sep. 13, 2022**

(54) **CHEESE SLICER**
(71) Applicant: **Richard W. Thorin**, Houston, TX (US)
(72) Inventor: **Richard W. Thorin**, Houston, TX (US)
(**) Term: **15 Years**
(21) Appl. No.: **29/734,661**
(22) Filed: **May 14, 2020**

1,934,996 A * 11/1933 Scalise A21C 5/08
30/312
2,014,722 A 9/1935 Damon
2,051,426 A * 8/1936 Schneider B26B 27/00
30/286
2,309,814 A 2/1943 Youngberg
2,332,307 A 10/1943 Dennis
2,769,469 A 11/1956 Budniak
2,825,131 A * 3/1958 Cole B26B 27/00
99/452
2,834,108 A 5/1958 Thompson
3,035,344 A * 5/1962 Brown B26B 9/02
30/115
3,834,265 A 9/1974 Tafapolsky et al.
4,464,835 A 8/1984 Bowman et al.
4,858,324 A 8/1989 Wiech, Jr.
4,959,905 A 10/1990 Ghislain
4,970,786 A 11/1990 Harper
5,456,010 A 10/1995 Bryda
5,787,591 A 8/1998 Lu

Related U.S. Application Data

(63) Continuation-in-part of application No. 16/049,616, filed on Jul. 30, 2018, now abandoned, which is a continuation-in-part of application No. 12/911,619, filed on Oct. 25, 2010, now abandoned.

(51) **LOC (13) Cl.** **07-04**
(52) **U.S. Cl.**
USPC **D7/693**

(58) **Field of Classification Search**
USPC D7/680-696, 368, 669; D28/47;
D22/118; D8/98; 30/114, 115, 116
CPC B26B 27/002; B26B 27/00; B26B 9/00;
B26B 9/02; B26B 21/54; B26B 21/56;
B26B 21/58; B26B 21/60; B26B 21/565;
B26D 2001/006; B26D 2001/0053; B26D
1/0006; B65D 47/0814; A47J 17/02; A47J
17/00; A47J 17/04; A47J 17/08; A47J
17/10; A47J 17/16; A47J 43/00; A22B
5/205; B23D 49/125; B44D 3/164
See application file for complete search history.

(56) **References Cited**

U.S. PATENT DOCUMENTS

D43,817 S * 4/1913 Gaisman 30/348
1,413,182 A 4/1922 Nesmeyer
1,581,310 A * 4/1926 Fetschan B26D 3/24
D7/693

(Continued)

Primary Examiner — Terry A Wallace

(74) *Attorney, Agent, or Firm* — Kearney, McWilliams & Davis, PLLC; Dileep P. Rao

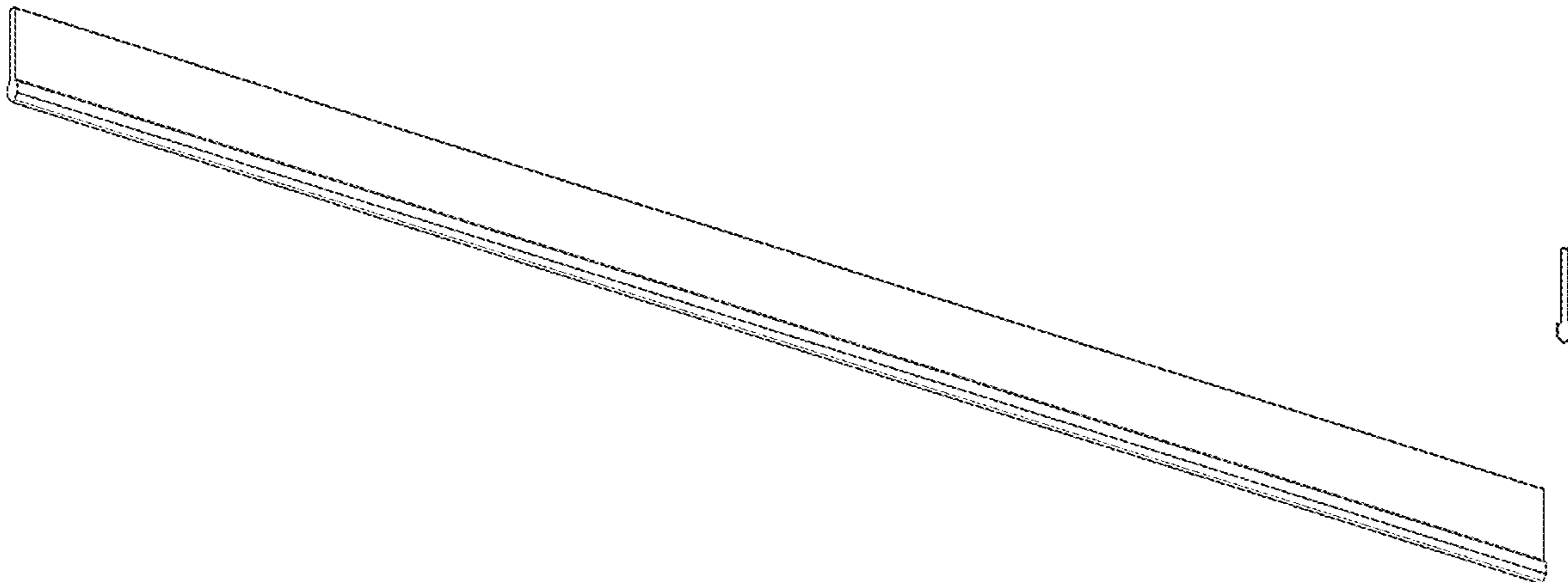
(57) **CLAIM**

The ornamental design for a cheese slicer, as shown and described.

DESCRIPTION

FIG. 1 is a top perspective view of a cheese slicer showing my new design.
FIG. 2 is a left side and/or right side view thereof.
FIG. 3 is a top view thereof.
FIG. 4 is a front and/or back view thereof.
FIG. 5 is a bottom view thereof.
FIG. 6 is a bottom perspective view thereof.
FIG. 7 is a side view of an embodiment thereof; and,
FIG. 8 is a cut view of the embodiment of FIG. 7.
The broken lines showing the handle of the cheese slicer are for unclaimed subject matter.

1 Claim, 3 Drawing Sheets



(56)

References Cited

U.S. PATENT DOCUMENTS

5,802,723	A	9/1998	Haggar	
6,751,869	B2 *	6/2004	Paggeot	B26B 9/00 30/169
7,204,180	B2	4/2007	Schwaiger	
2002/0040527	A1	4/2002	Hirsch	
2004/0255473	A1 *	12/2004	Walton	B26B 9/00 30/346
2006/0207110	A1	9/2006	Nishigaki et al.	
2007/0261523	A1	11/2007	Hussey et al.	
2008/0016704	A1	1/2008	Haneda	

* cited by examiner

FIGURE 1

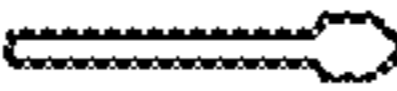
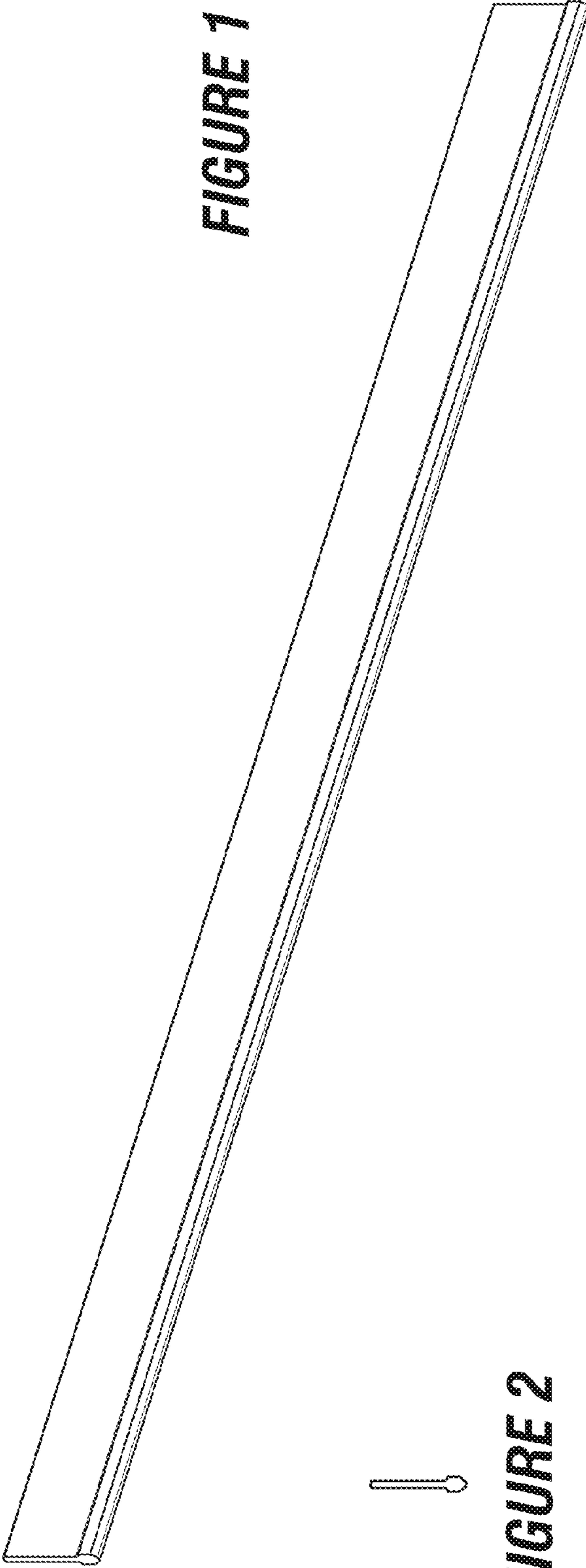


FIGURE 2

FIGURE 3



FIGURE 4

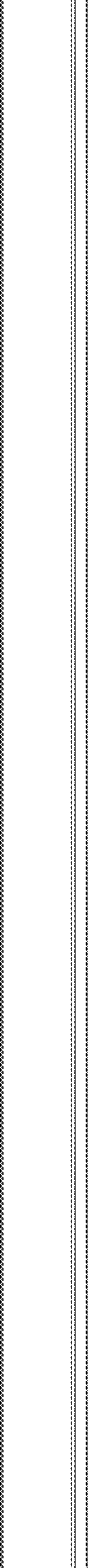


FIGURE 5



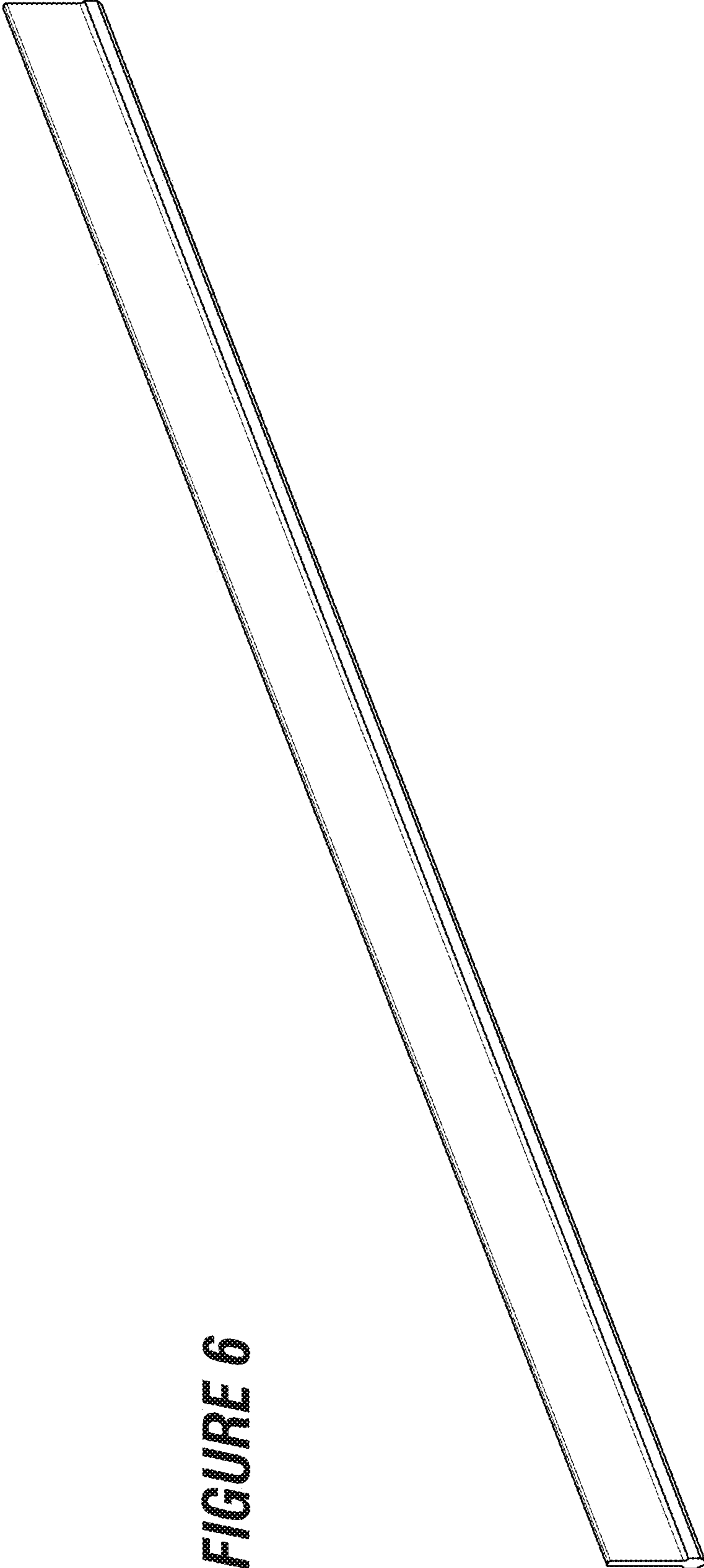


FIGURE 6

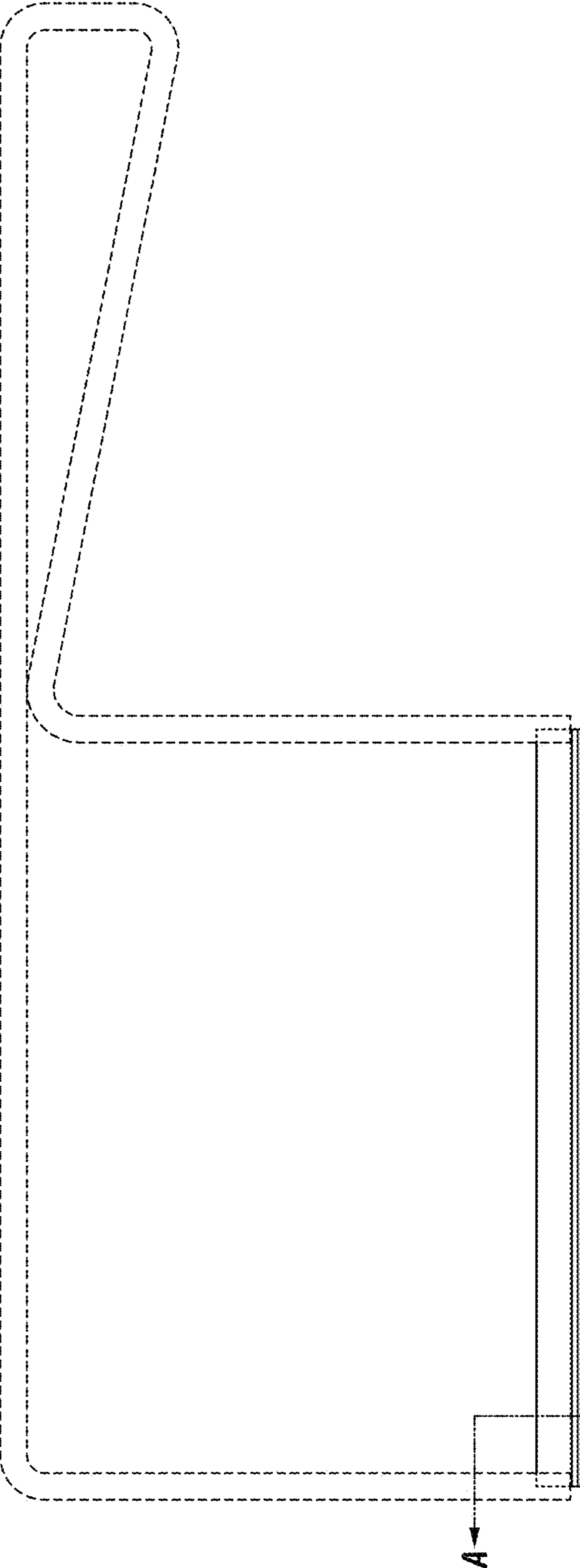


FIGURE 7



FIGURE 8