



US00D963429S

(12) **United States Design Patent** (10) **Patent No.:** **US D963,429 S**
Fu (45) **Date of Patent:** **** Sep. 13, 2022**

(54) **MEAT TENDERIZER**

(71) Applicant: **Lijun Fu, Yuyao (CN)**

(72) Inventor: **Lijun Fu, Yuyao (CN)**

(**) Term: **15 Years**

(21) Appl. No.: **29/759,442**

(22) Filed: **Nov. 23, 2020**

(51) **LOC (13) Cl.** **07-04**

(52) **U.S. Cl.**
USPC **D7/682**

(58) **Field of Classification Search**
USPC D7/682, 669, 368
CPC . A47J 43/28; A47J 19/00; A47J 19/04; A22C
9/00; A22C 9/001; A22C 9/007; A22C
9/008; B26B 3/04
See application file for complete search history.

(56) **References Cited**

U.S. PATENT DOCUMENTS

D25,841 S * 7/1896 Bonte D7/682
3,661,072 A * 5/1972 Allinquant A22C 17/0053
99/532
D229,274 S * 11/1973 Allinquant D7/682
4,199,841 A * 4/1980 Jaccard A47J 43/28
30/305
D276,583 S * 12/1984 Jaccard D7/382
4,870,717 A * 10/1989 Hirano A22C 9/008
452/147

6,948,670 B2 * 9/2005 Kujawski A22C 9/008
452/147
D521,820 S * 5/2006 Kujawski D7/682
7,182,685 B2 * 2/2007 Gorowski A22C 9/008
452/141
D598,719 S * 8/2009 Zemel D7/682
D701,094 S * 3/2014 Bradford D7/682

OTHER PUBLICATIONS

Amazon.com, Ccfound Meat Tenderizer, 48 SS Ultra Sharp Needle Blade Tenderizer, ASIN: B074V2BS22, 14 pages, date first available Aug. 15, 2017 (Year: 2017).*

* cited by examiner

Primary Examiner — Terry A Wallace

(74) *Attorney, Agent, or Firm* — Rमित Ranjit Kanakia

(57) **CLAIM**

The ornamental design for a meat tenderizer, as shown and described.

DESCRIPTION

FIG. 1 is a perspective view of a meat tenderizer showing my new design;

FIG. 2 is a front elevational view thereof;

FIG. 3 is a rear elevational view thereof;

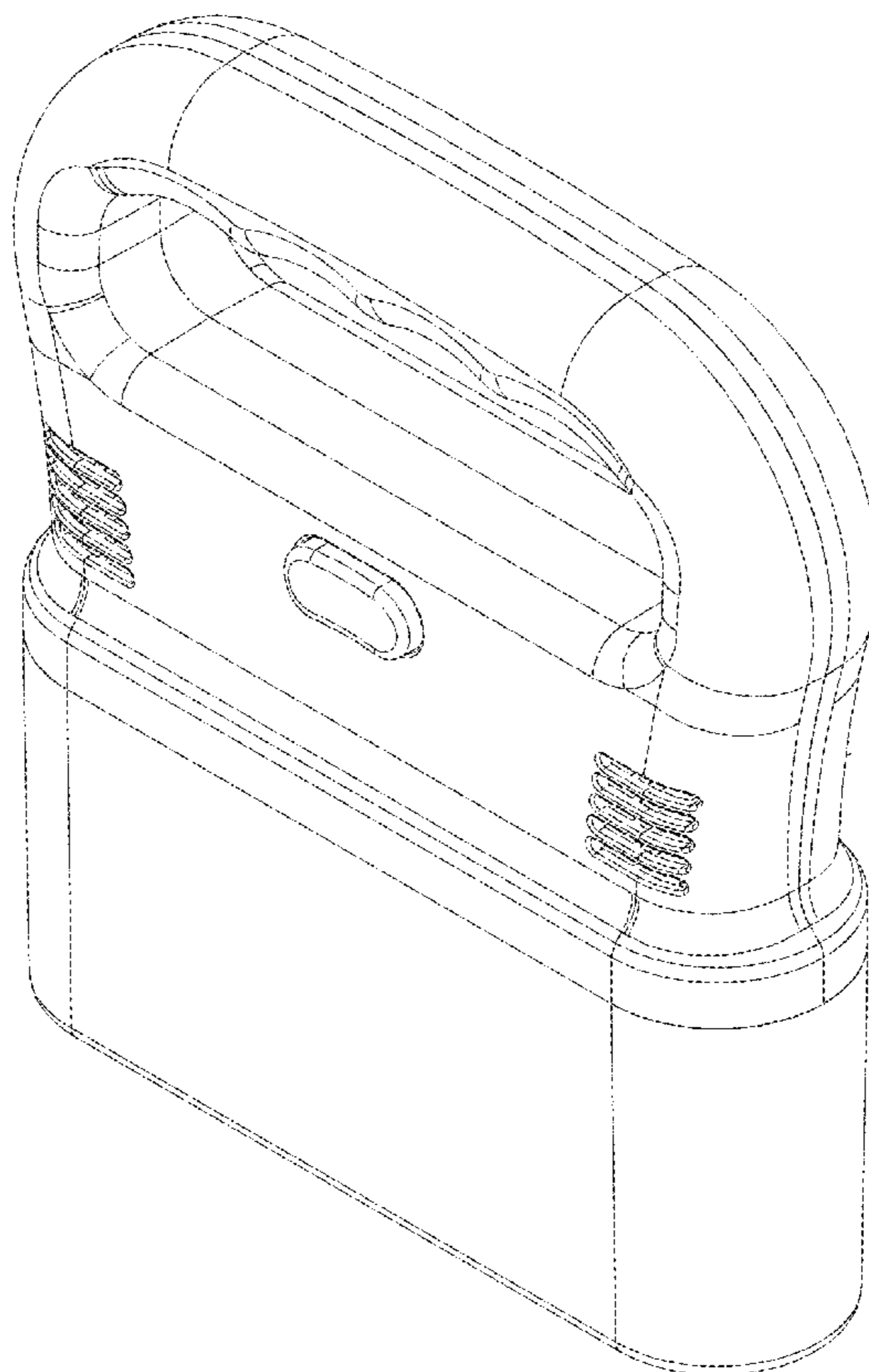
FIG. 4 is a left side view thereof;

FIG. 5 is a right side view thereof;

FIG. 6 is a top plan view thereof; and,

FIG. 7 is a bottom plan view thereof.

1 Claim, 7 Drawing Sheets



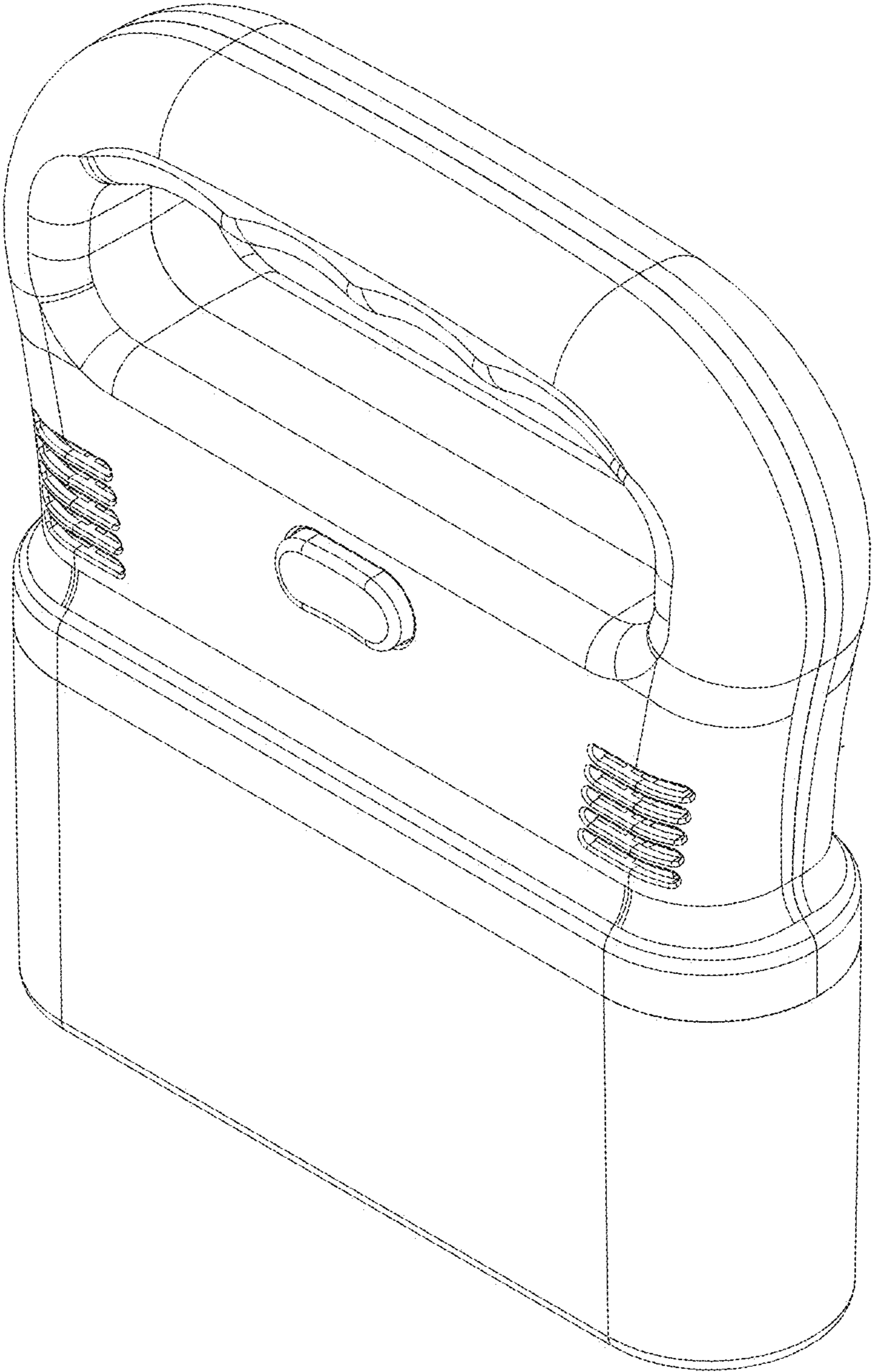


FIG. 1

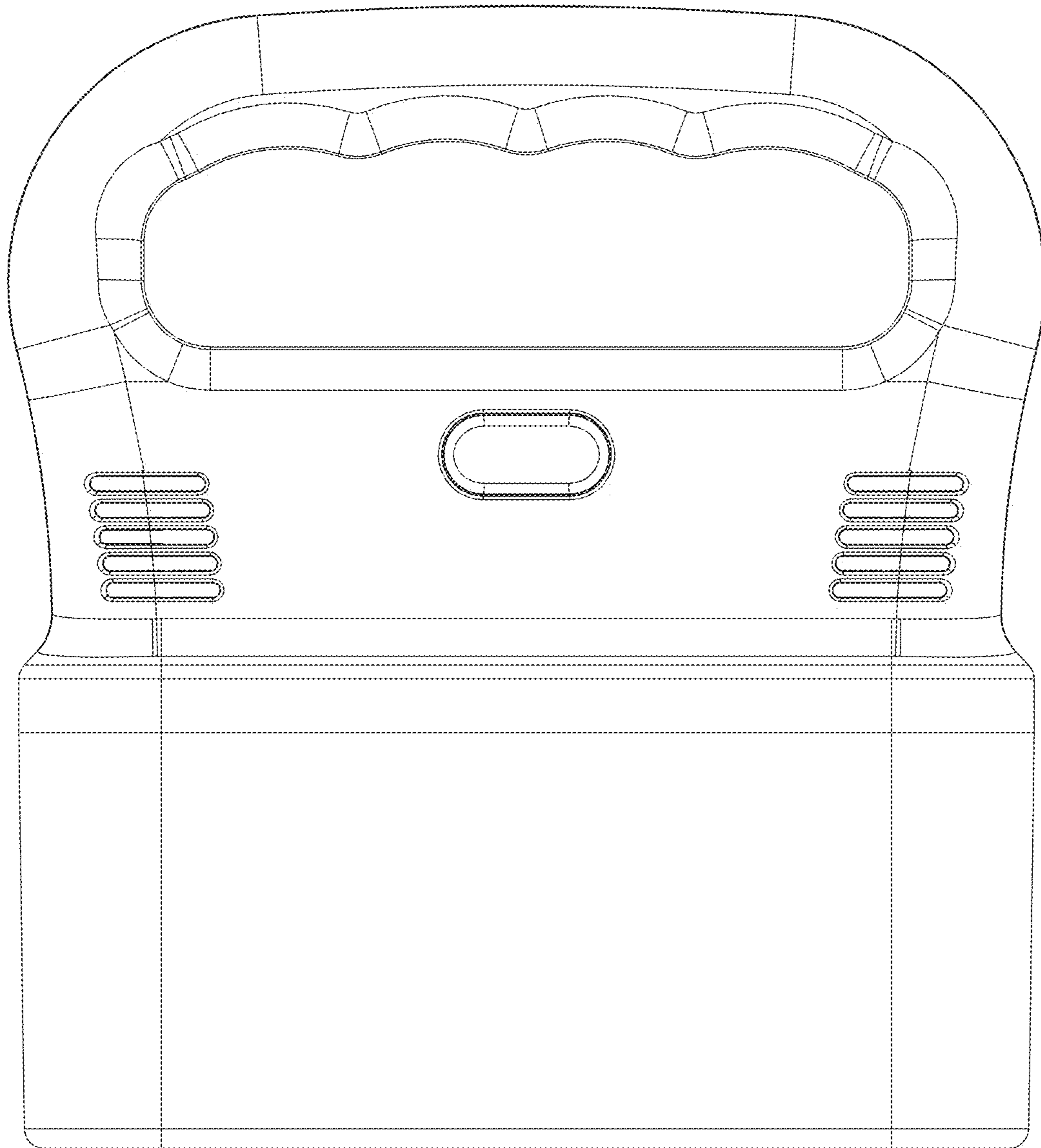


FIG. 2

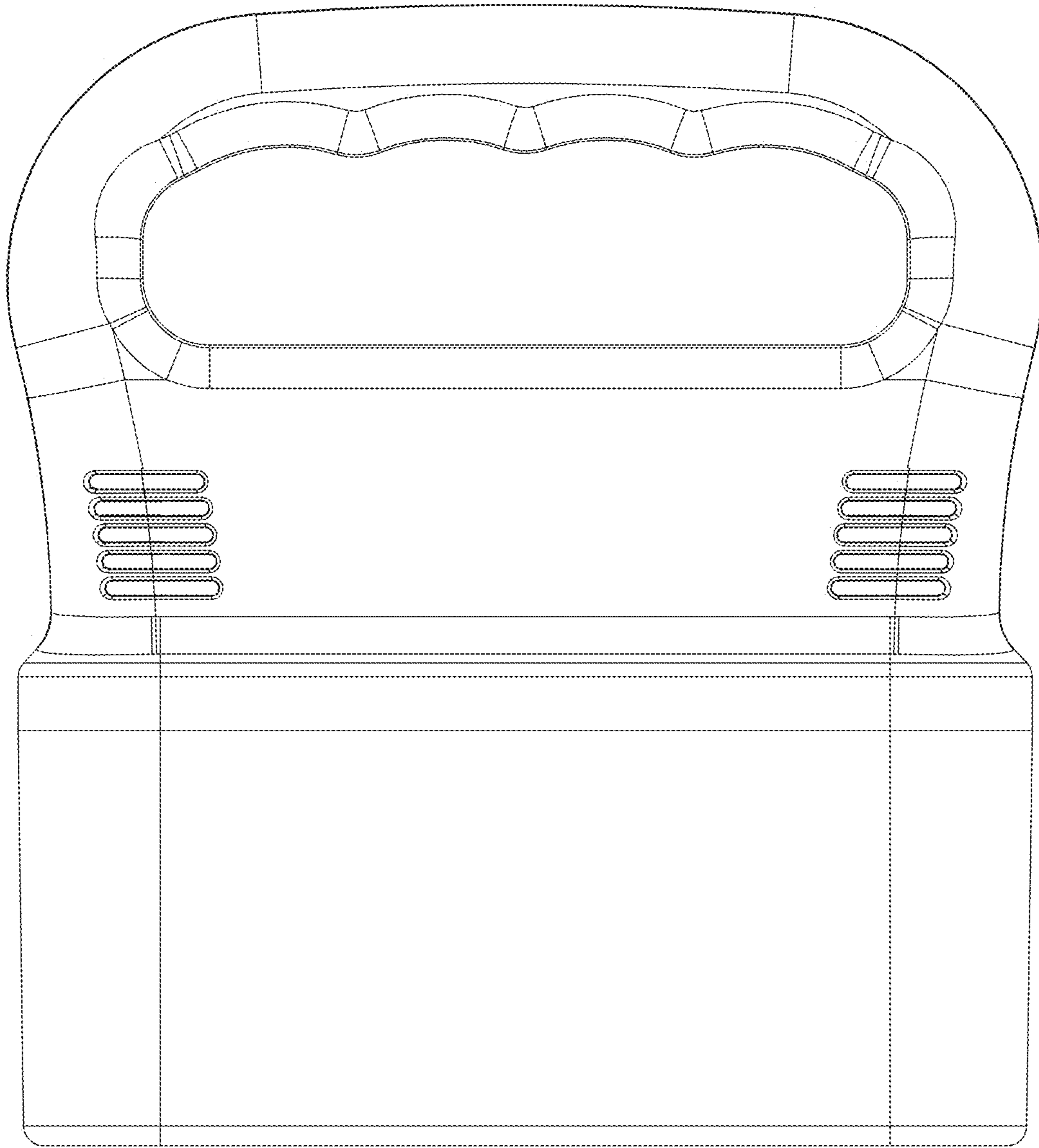


FIG. 3

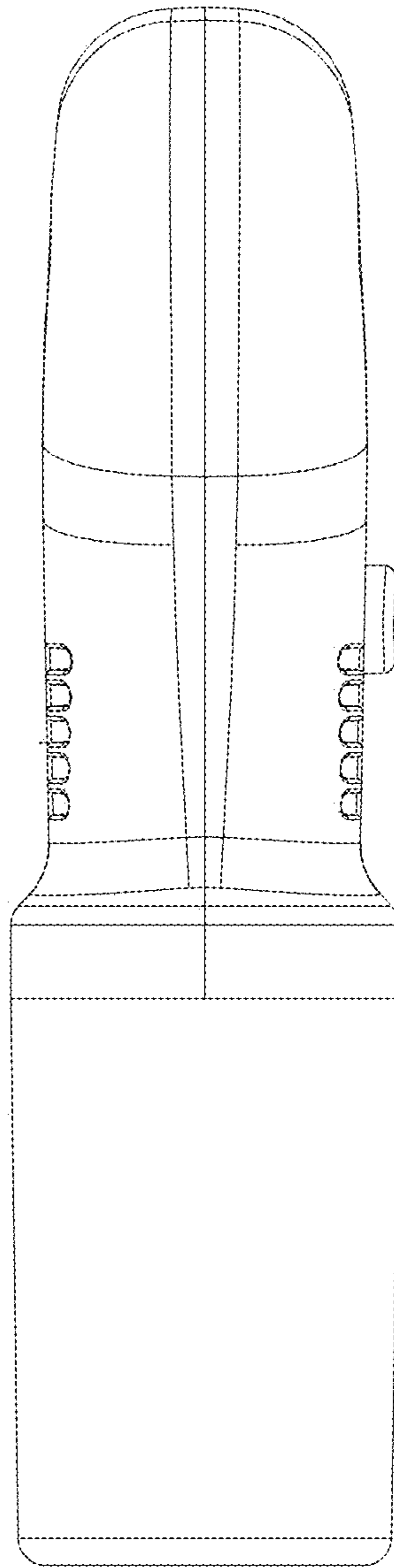


FIG. 4

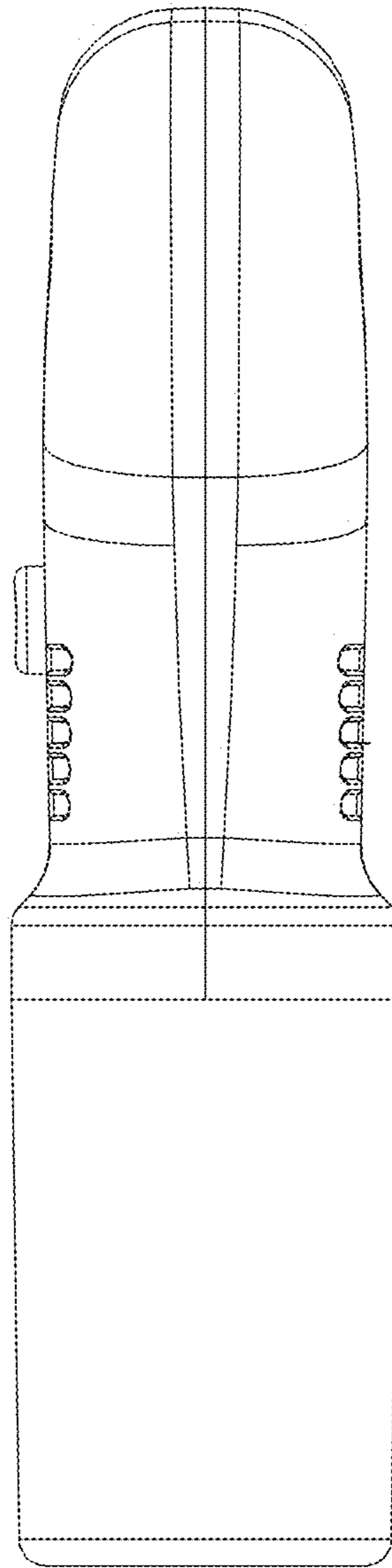


FIG. 5

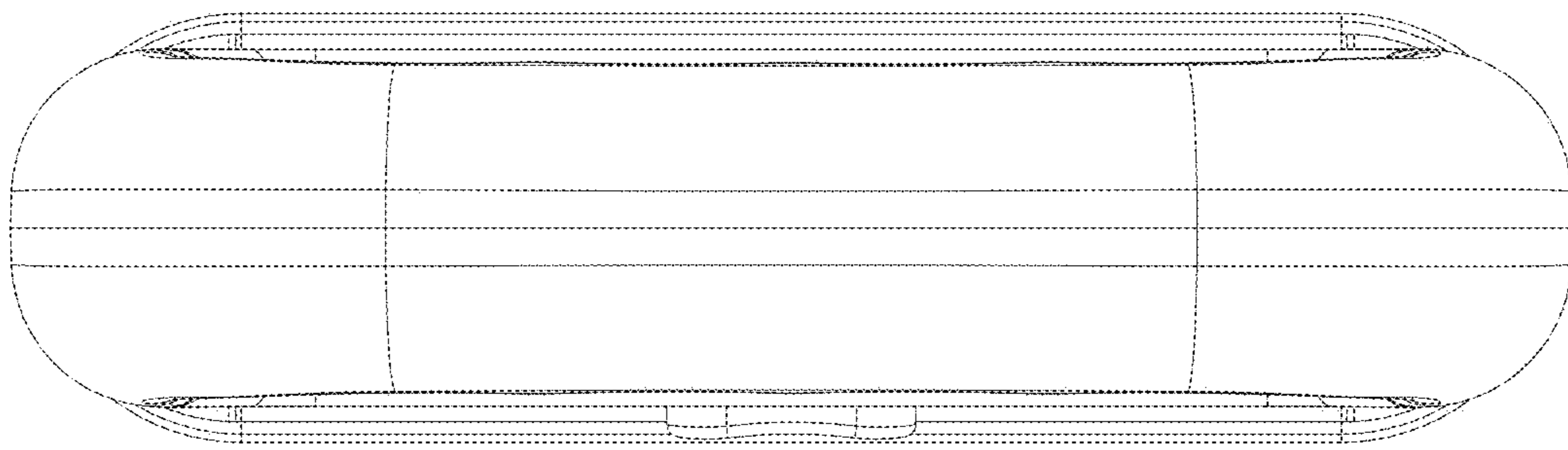


FIG. 6

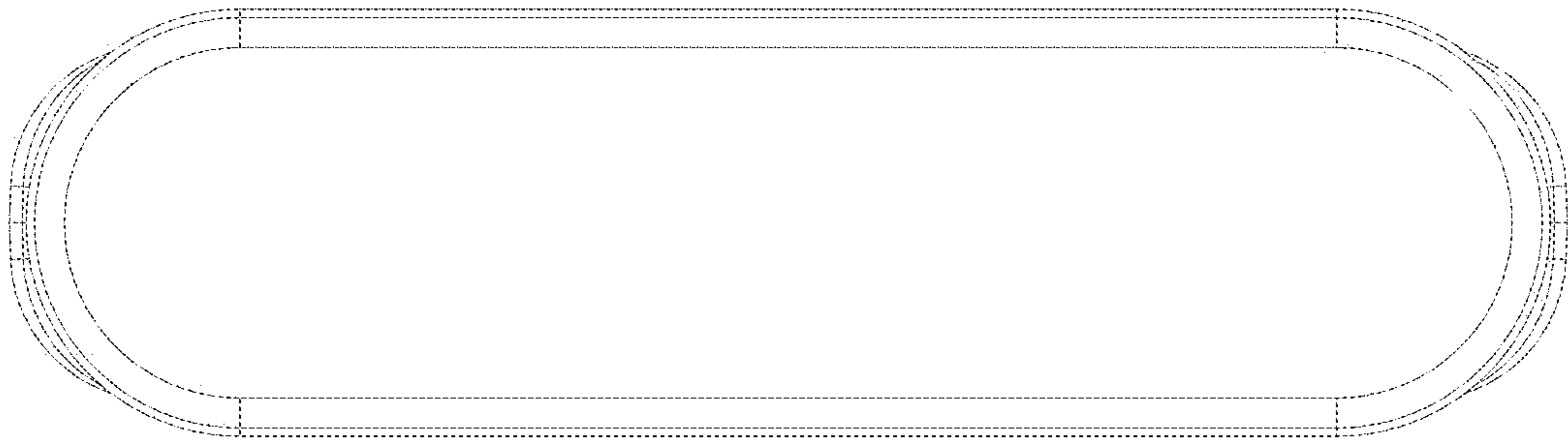


FIG. 7