

US00D963428S

(12) **United States Design Patent**
Fu

(10) **Patent No.:** **US D963,428 S**
(45) **Date of Patent:** **** Sep. 13, 2022**

(54) **MEAT TENDERIZER**

(71) Applicant: **Lijun Fu, Yuyao (CN)**

(72) Inventor: **Lijun Fu, Yuyao (CN)**

(**) Term: **15 Years**

(21) Appl. No.: **29/759,438**

(22) Filed: **Nov. 23, 2020**

(51) **LOC (13) Cl.** **07-04**

(52) **U.S. Cl.**
USPC **D7/682**

(58) **Field of Classification Search**
USPC D7/682, 669, 368
CPC . A47J 43/28; A47J 19/00; A47J 19/04; A22C
9/00; A22C 9/001; A22C 9/007; A22C
9/008; B26B 3/04

See application file for complete search history.

(56) **References Cited**

U.S. PATENT DOCUMENTS

| | | | | |
|----------------|---------|------------|-------|------------------------|
| D25,841 S * | 7/1896 | Bonte | | D7/682 |
| 3,661,072 A * | 5/1972 | Allinquant | | A22C 17/0053 99/532 |
| D229,274 S * | 11/1973 | Allinquant | | D7/682 |
| 4,199,841 A * | 4/1980 | Jaccard | | A47J 43/28 30/305 |
| D276,583 S * | 12/1984 | Jaccard | | D7/382 |
| 4,870,717 A * | 10/1989 | Hirano | | A22C 9/008 452/147 |
| 6,948,670 B2 * | 9/2005 | Kujawski | | A22C 9/008 452/147 |
| D521,820 S * | 5/2006 | Kujawski | | D7/682 |

| | | | | |
|----------------|--------|----------|-------|-----------------------|
| 7,182,685 B2 * | 2/2007 | Gorowski | | A22C 9/008 452/141 |
| D598,719 S * | 8/2009 | Zemel | | D7/682 |
| D701,094 S * | 3/2014 | Bradford | | D7/682 |

OTHER PUBLICATIONS

Amazon.com, Jaccard 45 Blade Meat Tenderizer, ASIN: B000A3G0F6, 11 pages, date first available May 5, 2003 (Year: 2003).*

Amazon.com, LZONSTK, Meat Tenderizer with 48 SS Ultra Sharp Needle Blades, ASIN: B08GKMXY6T, 11 pages, date first available Sep. 26, 2020 (Year: 2020).*

Amazon.com, LEM Products 1263 Hand Meat Tenderizer, ASIN: B074F8WVPG, 6 pages, date first available Jul. 31, 2017 (Year: 2017).*

* cited by examiner

Primary Examiner — Terry A Wallace

(74) *Attorney, Agent, or Firm* — Rumit Ranjit Kanakia

(57) **CLAIM**

The ornamental design for a meat tenderizer, as shown and described.

DESCRIPTION

FIG. 1 is a perspective view of a meat tenderizer showing my new design;

FIG. 2 is a front elevational view thereof;

FIG. 3 is a rear elevational view thereof;

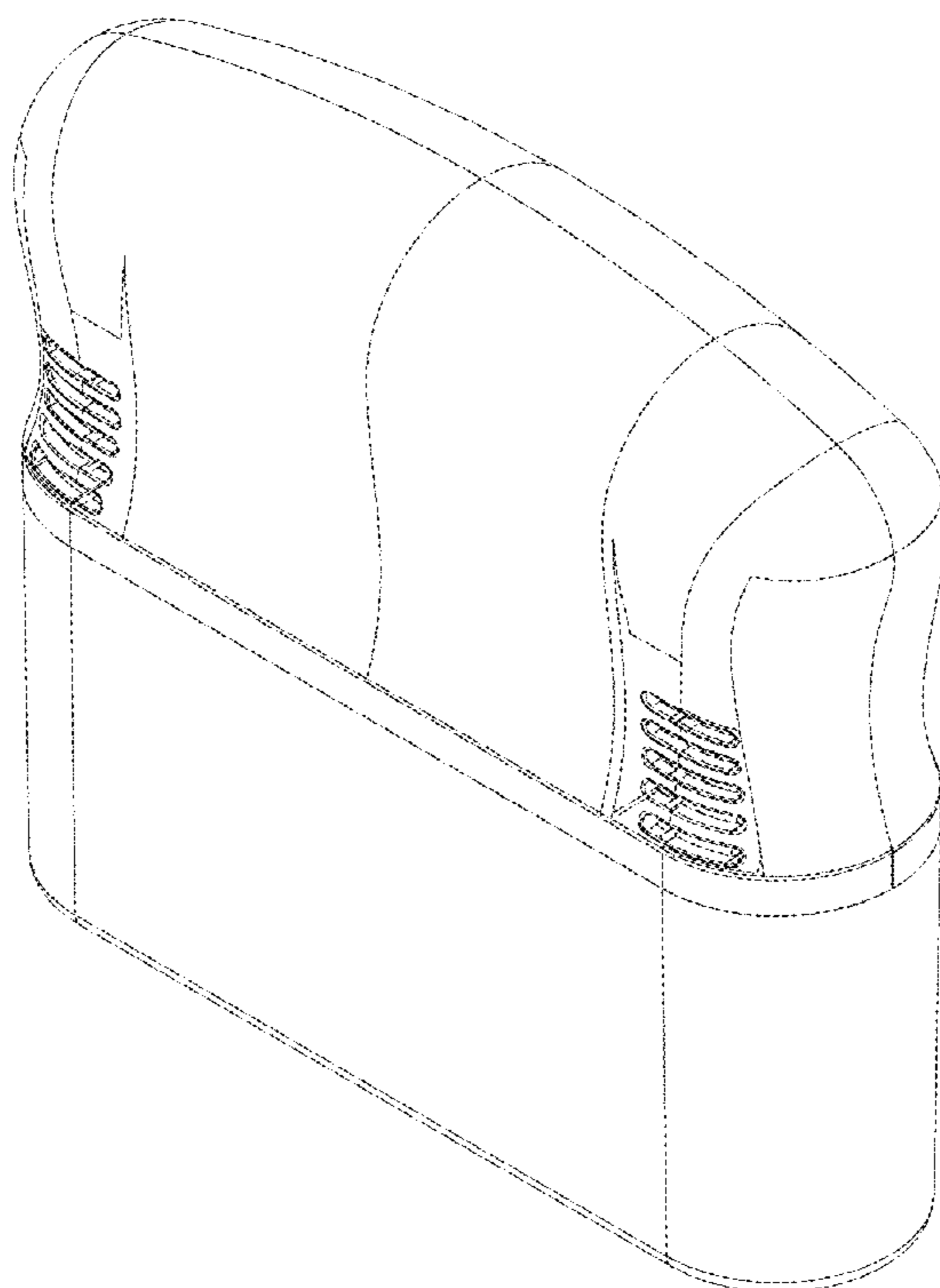
FIG. 4 is a left side view thereof;

FIG. 5 is a right side view thereof;

FIG. 6 is a top plan view thereof; and,

FIG. 7 is a bottom plan view thereof.

1 Claim, 7 Drawing Sheets



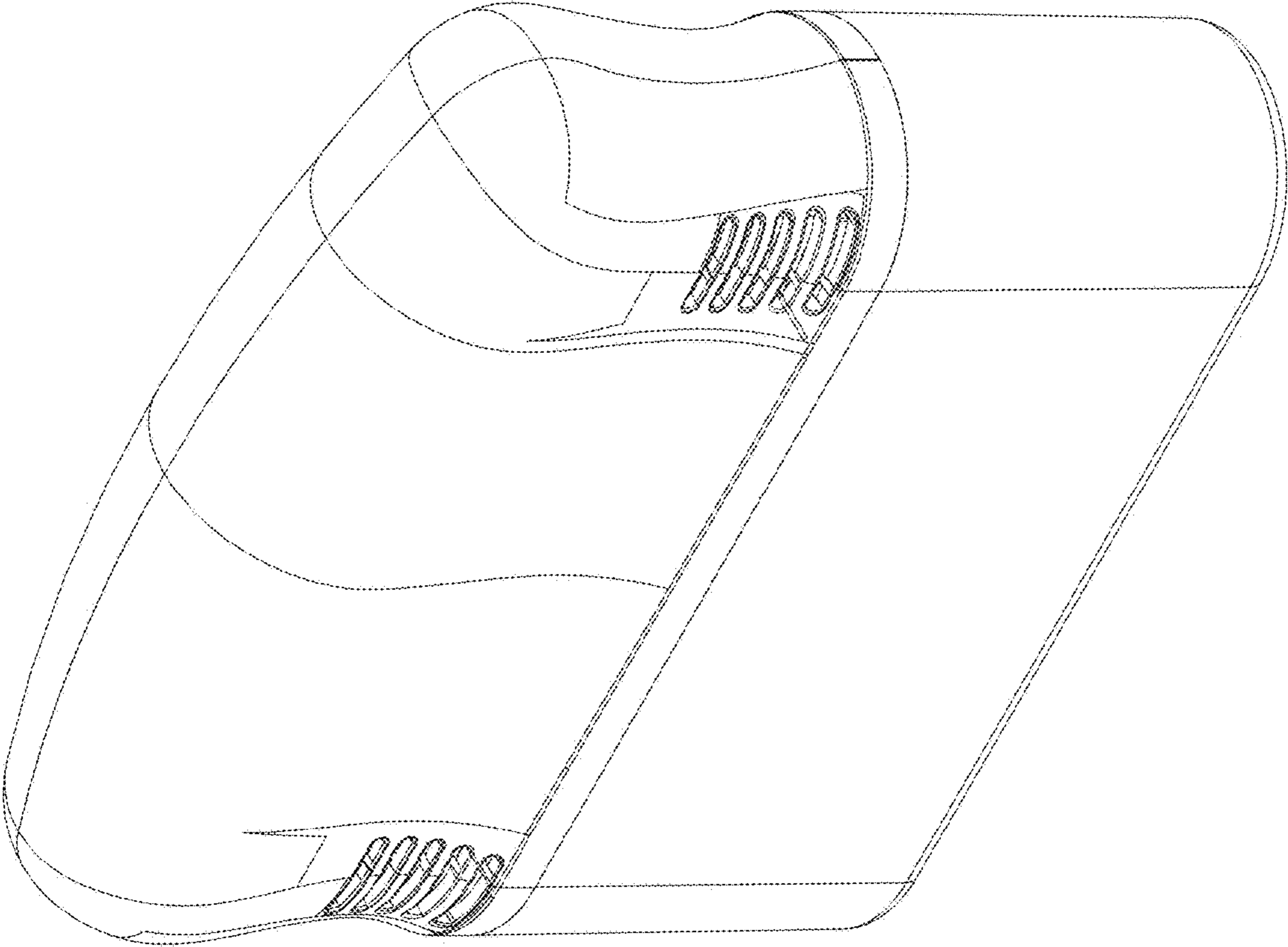


FIG. 1

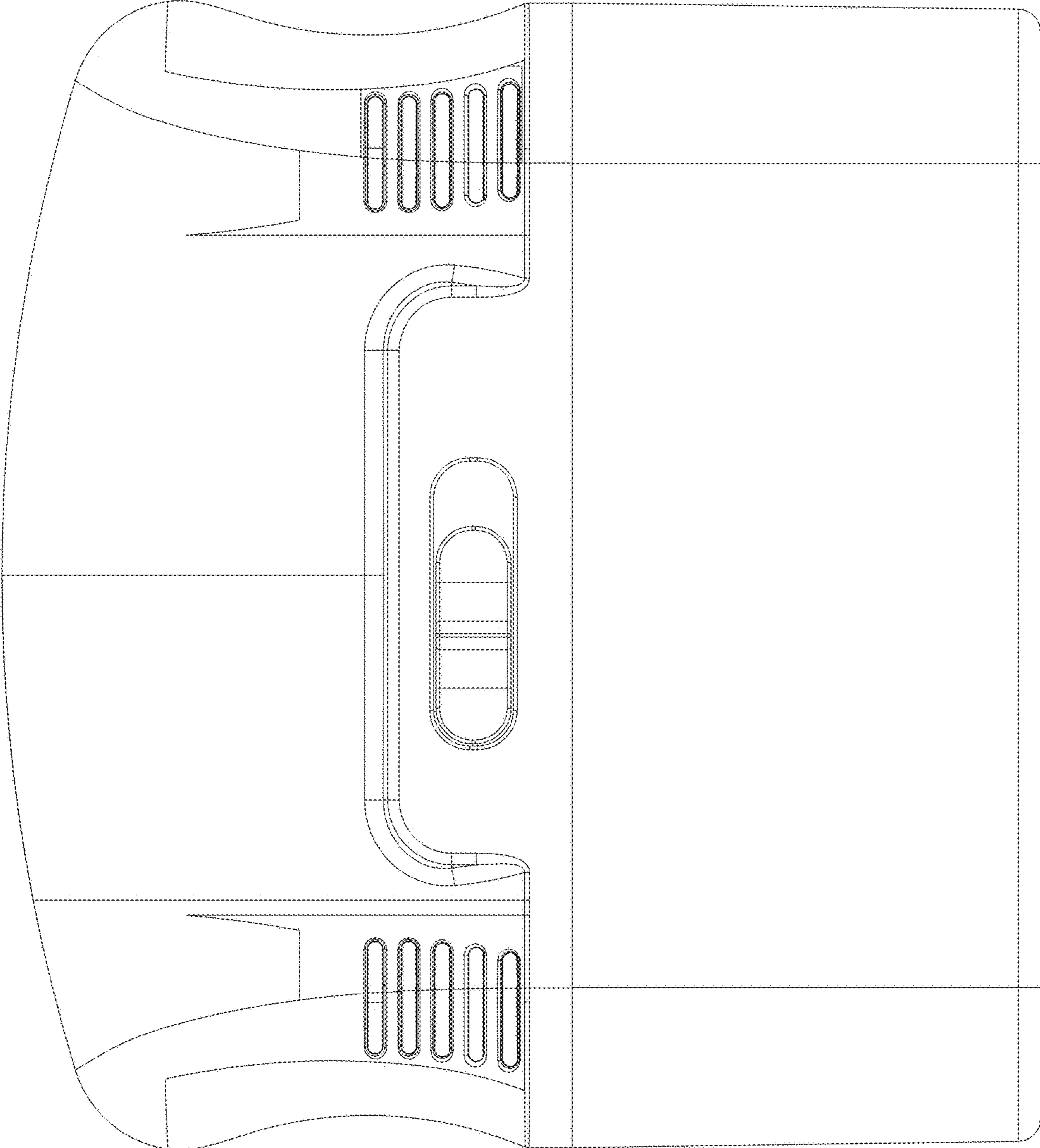


FIG. 2

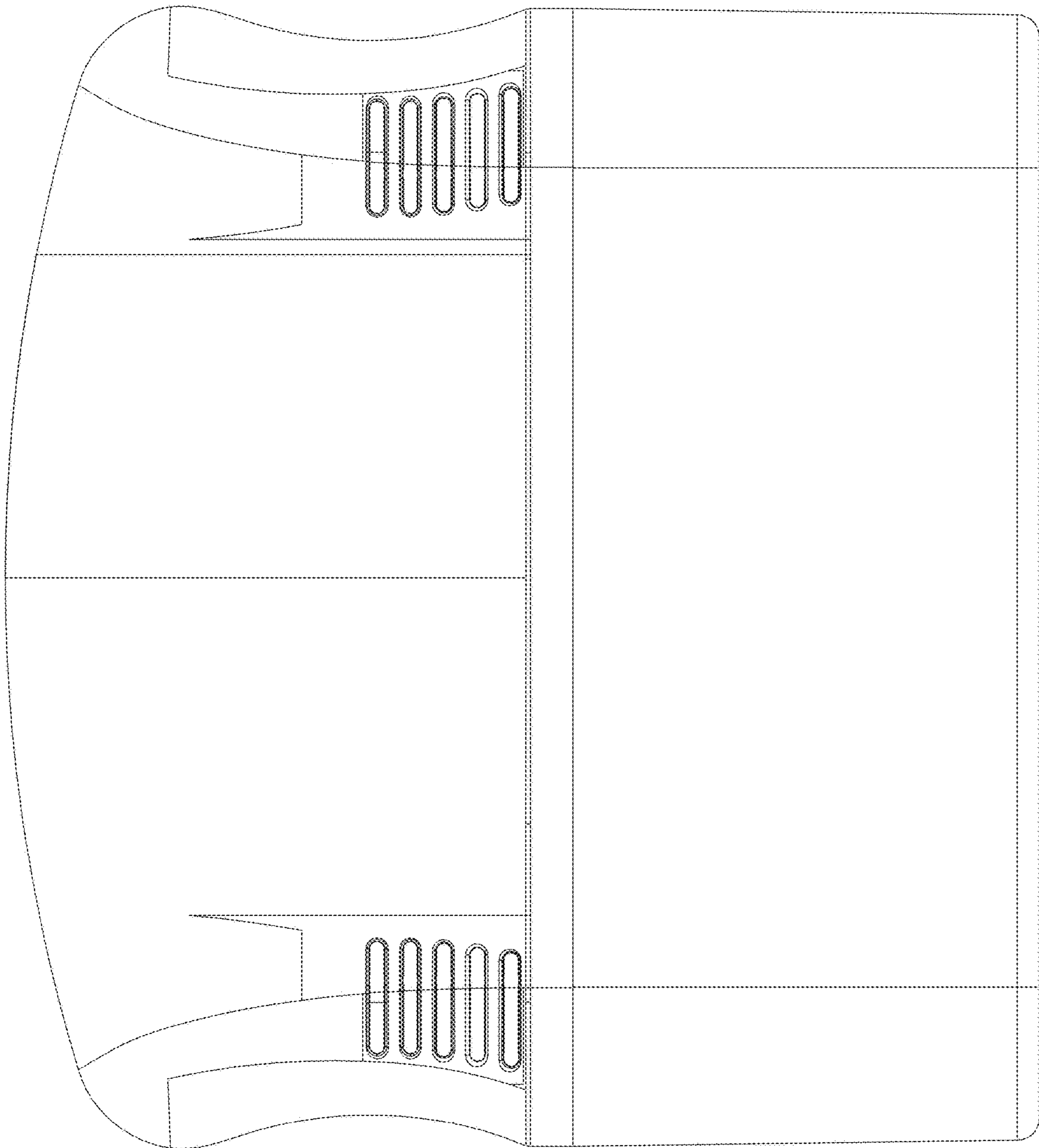


FIG. 3

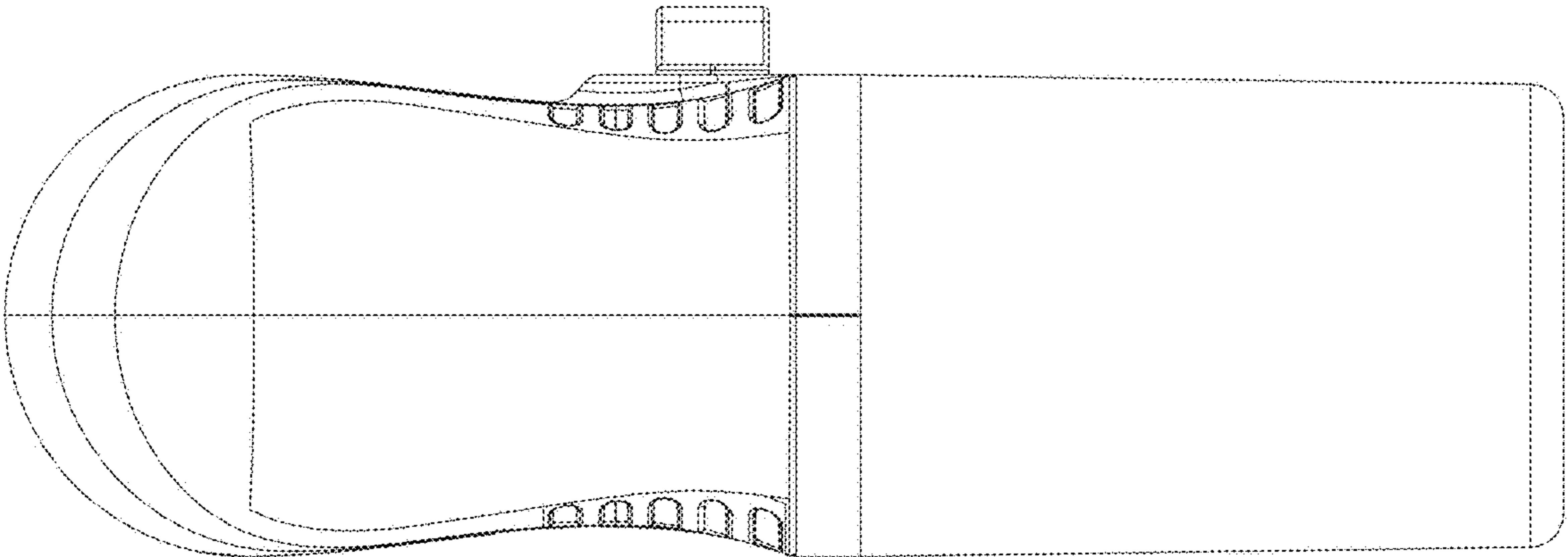


FIG. 4

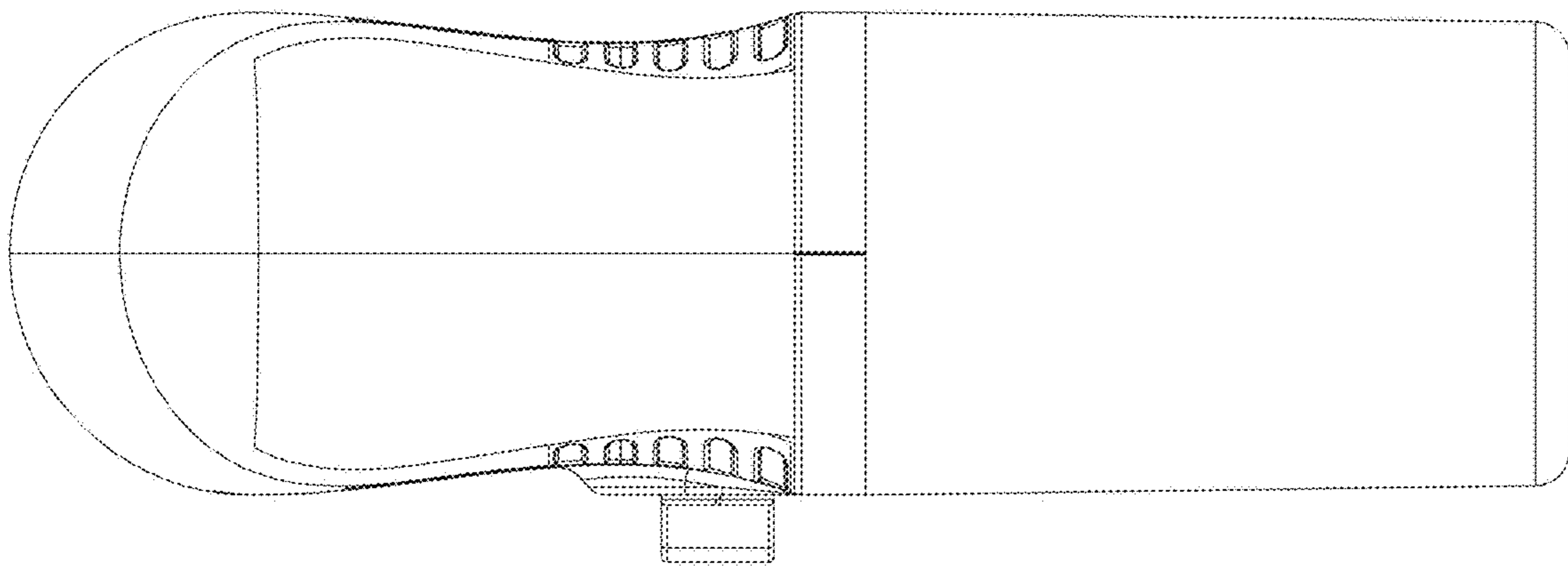


FIG. 5

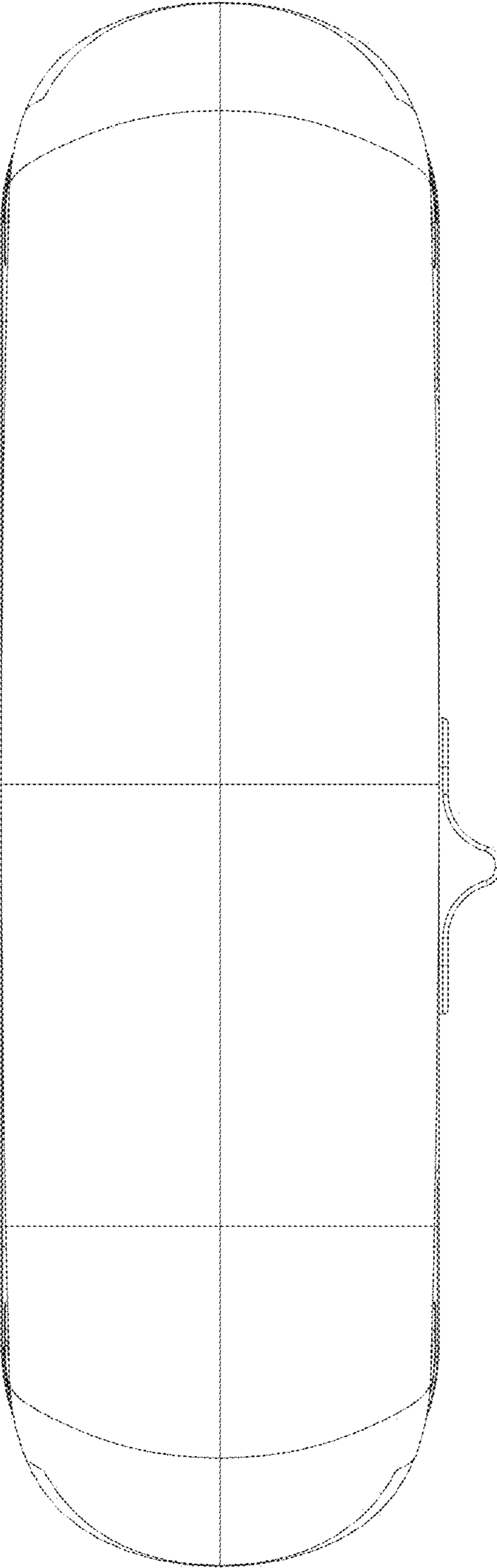


FIG. 6

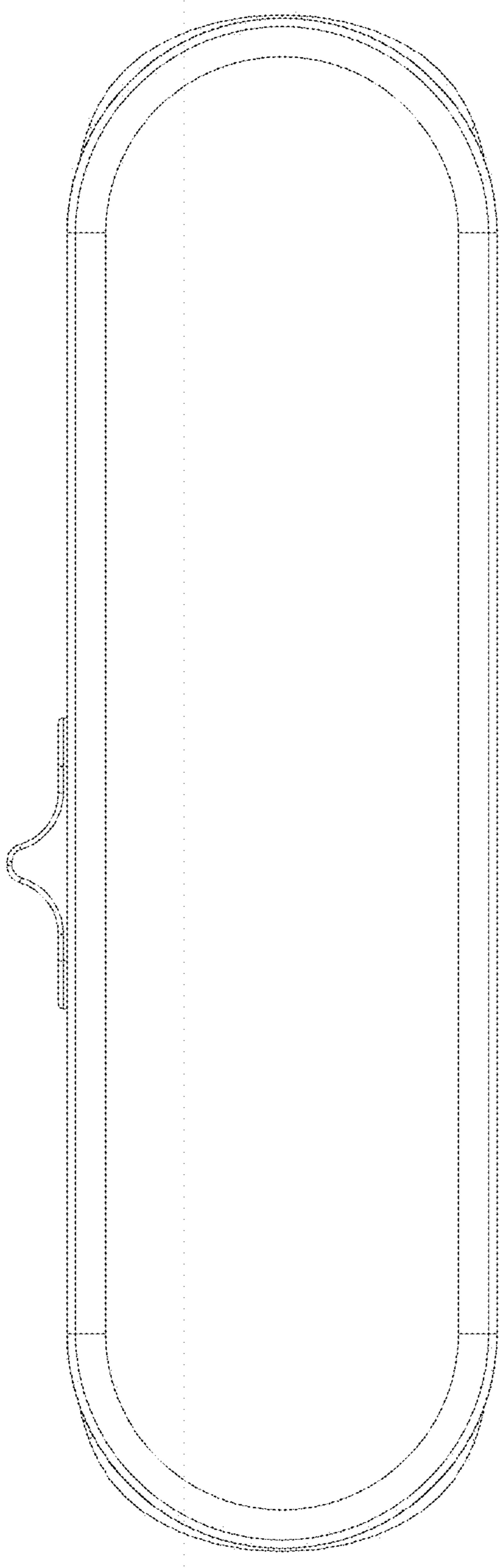


FIG. 7