



US00D963425S

(12) **United States Design Patent** (10) **Patent No.:** **US D963,425 S**
Zhang (45) **Date of Patent:** **** *Sep. 13, 2022**

- (54) **EGG YOLK SEPARATOR**
- (71) Applicant: **GUANGZHOU BAOMEI NETWORK TECHNOLOGY CO., LTD.**, Guangzhou (CN)
- (72) Inventor: **Siduo Zhang**, Guangdong (CN)
- (73) Assignee: **GUANGZHOU BAOMEI NETWORK TECHNOLOGY CO., LTD.**, Guangzhou (CN)
- (*) Notice: This patent is subject to a terminal disclaimer.
- (**) Term: **15 Years**
- (21) Appl. No.: **29/778,372**
- (22) Filed: **Apr. 13, 2021**
- (51) **LOC (13) Cl.** **07-04**
- (52) **U.S. Cl.**
USPC **D7/667**
- (58) **Field of Classification Search**
USPC D7/213, 368, 369, 400, 401.2, 503, 611, D7/642, 653-664, 665-669, 681, D7/688-692; D10/46.2; 99/497, 499
CPC A47G 19/16; A23J 1/08; A23J 1/09; A47J 43/00; A47J 43/14; B07B 1/02
See application file for complete search history.

- D262,684 S * 1/1982 Daenen D7/643
- D307,527 S * 5/1990 DeCoster A47J 43/14
D7/667
- D332,579 S * 1/1993 Goldman D10/46.2
- D413,492 S * 9/1999 Wang D7/667
- D429,972 S * 8/2000 Wang D7/667
- D487,382 S * 3/2004 Kaposi D7/688
- D498,986 S * 11/2004 So A47J 43/14
D7/667
- D499,312 S 12/2004 So
(Continued)

FOREIGN PATENT DOCUMENTS

CN 306246860 * 12/2020

OTHER PUBLICATIONS

Egg Separator, first available Apr. 17, 2021, Amazon, [online], [site visited Nov. 9, 2021], Available from internet URL: <https://www.amazon.com/Separator-Stainless-Filter-Cooking-Kitchen/dp/B092SP4R2G> (Year: 2021).*

(Continued)

Primary Examiner — Christian P. McLean
Assistant Examiner — Natalya M Rapundalo

(57) **CLAIM**

The ornamental design for an egg yolk separator, as shown and described.

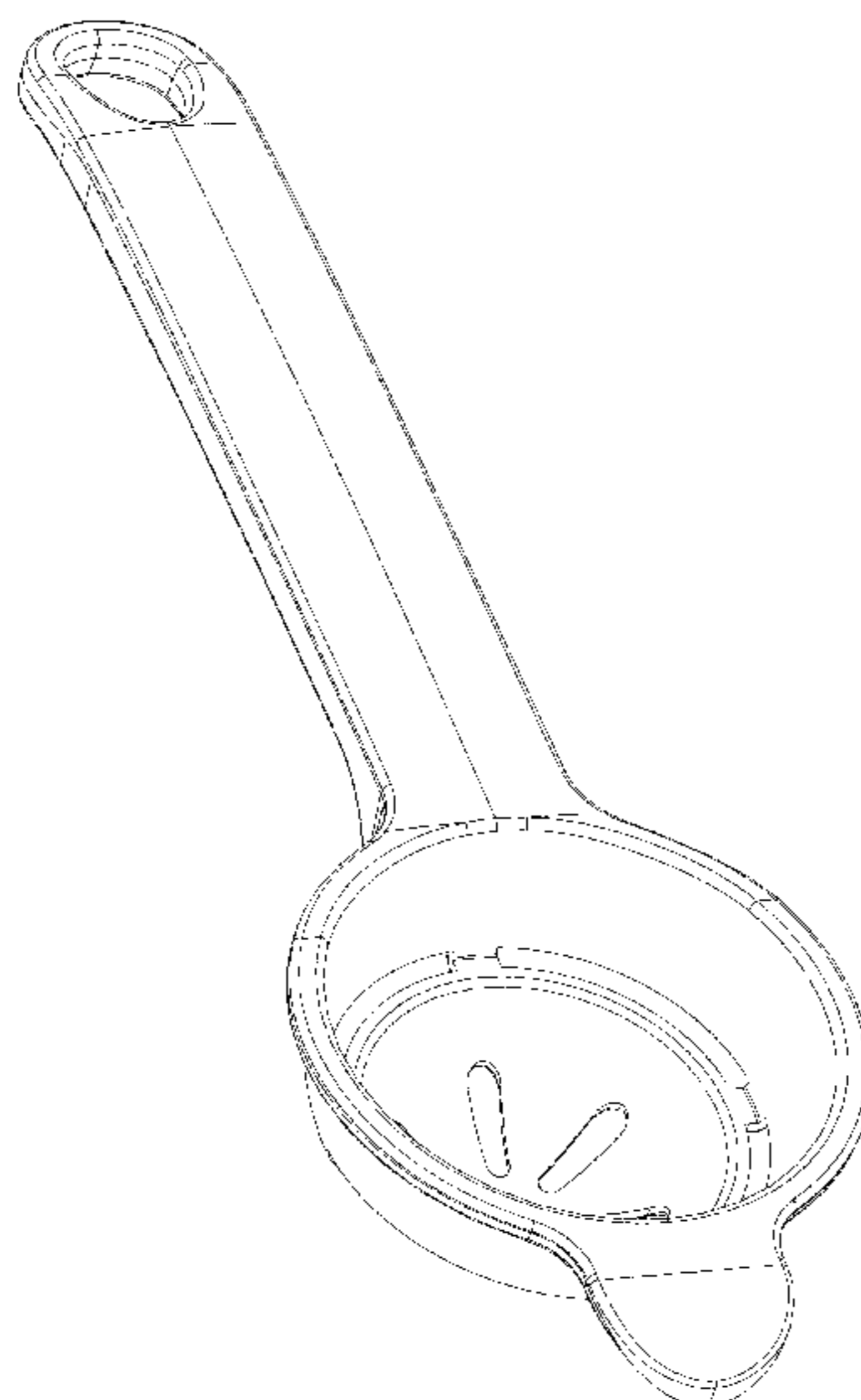
DESCRIPTION

FIG. 1 is a top, front, left side perspective view of an egg yolk separator showing my new design;
FIG. 2 is a bottom, rear, right side perspective view thereof;
FIG. 3 is an enlarged front elevation view thereof;
FIG. 4 is an enlarged rear elevation view thereof;
FIG. 5 is a left side elevation view thereof;
FIG. 6 is a right side elevation view thereof;
FIG. 7 is a top plan view thereof; and,
FIG. 8 is a bottom plan view thereof.

1 Claim, 5 Drawing Sheets

(56) **References Cited**
U.S. PATENT DOCUMENTS

- D29,139 S * 8/1898 Pullman D7/667
- 2,035,065 A * 3/1936 Gray A47J 43/14
99/499
- 2,212,502 A * 8/1940 Leahey A47J 43/14
99/499
- 2,430,156 A * 11/1947 Byers A47J 43/14
99/499
- 3,164,180 A * 1/1965 Leopoldi A47J 43/14
30/120.1



(56)

References Cited

U.S. PATENT DOCUMENTS

7,077,054 B1 * 7/2006 Hurlock A47G 19/16
 210/465
 D555,984 S * 11/2007 Curtin A47J 43/14
 D7/667
 D648,988 S * 11/2011 Ablo D7/666
 D687,266 S * 8/2013 Cloutier D7/667
 8,678,198 B1 * 3/2014 D'Andrea B07B 1/02
 209/417
 D797,526 S 9/2017 Klipshtein
 D852,592 S 7/2019 Davies et al.
 D854,384 S * 7/2019 Saubert D7/667
 D889,214 S * 7/2020 Tillman D7/654
 D901,260 S * 11/2020 Xie B07B 1/02
 D7/692
 2012/0125210 A1 * 5/2012 Myoung A47J 43/14
 99/497

OTHER PUBLICATIONS

Egg White Separator, first available Jun. 21, 2021, Amazon, [online],
 [site visited Nov. 9, 2021], Available from internet URL: <https://www.amazon.com/Separator-separator-Separation-toolKitchen-Gadget3Pcs/dp/B08ZLW2513> (Year: 2021).*

Kitchen Baking Tools Colorful Plastic Egg White Separator, Alibaba,
 [online], [site visited Nov. 10, 2021], Available from internet URL:
https://www.alibaba.com/product-detail/Egg-Separator-Kitchen-Baking-Tools-Colorful_1600305639525.html (Year: 2021).*

* cited by examiner



FIG.1

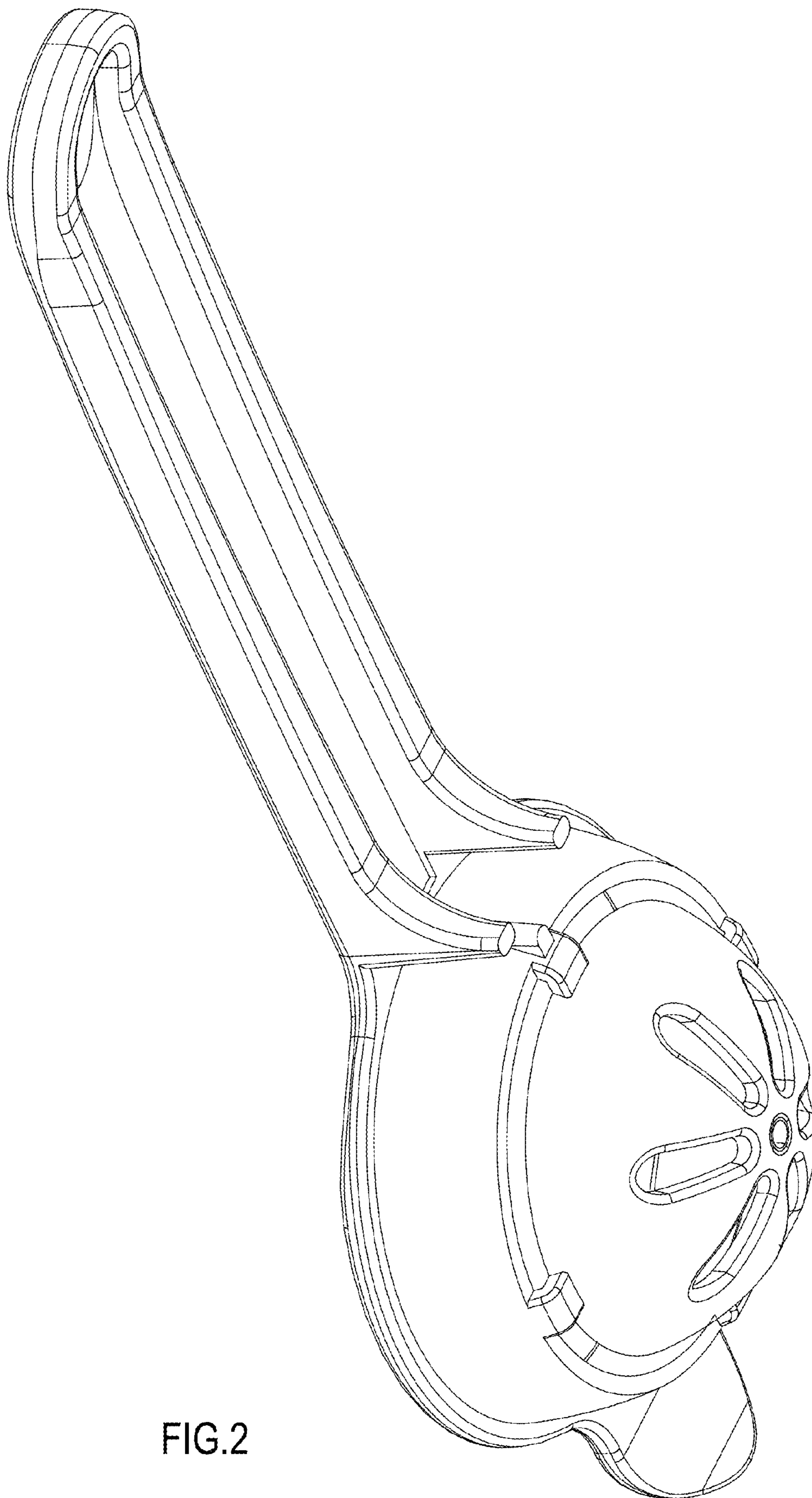
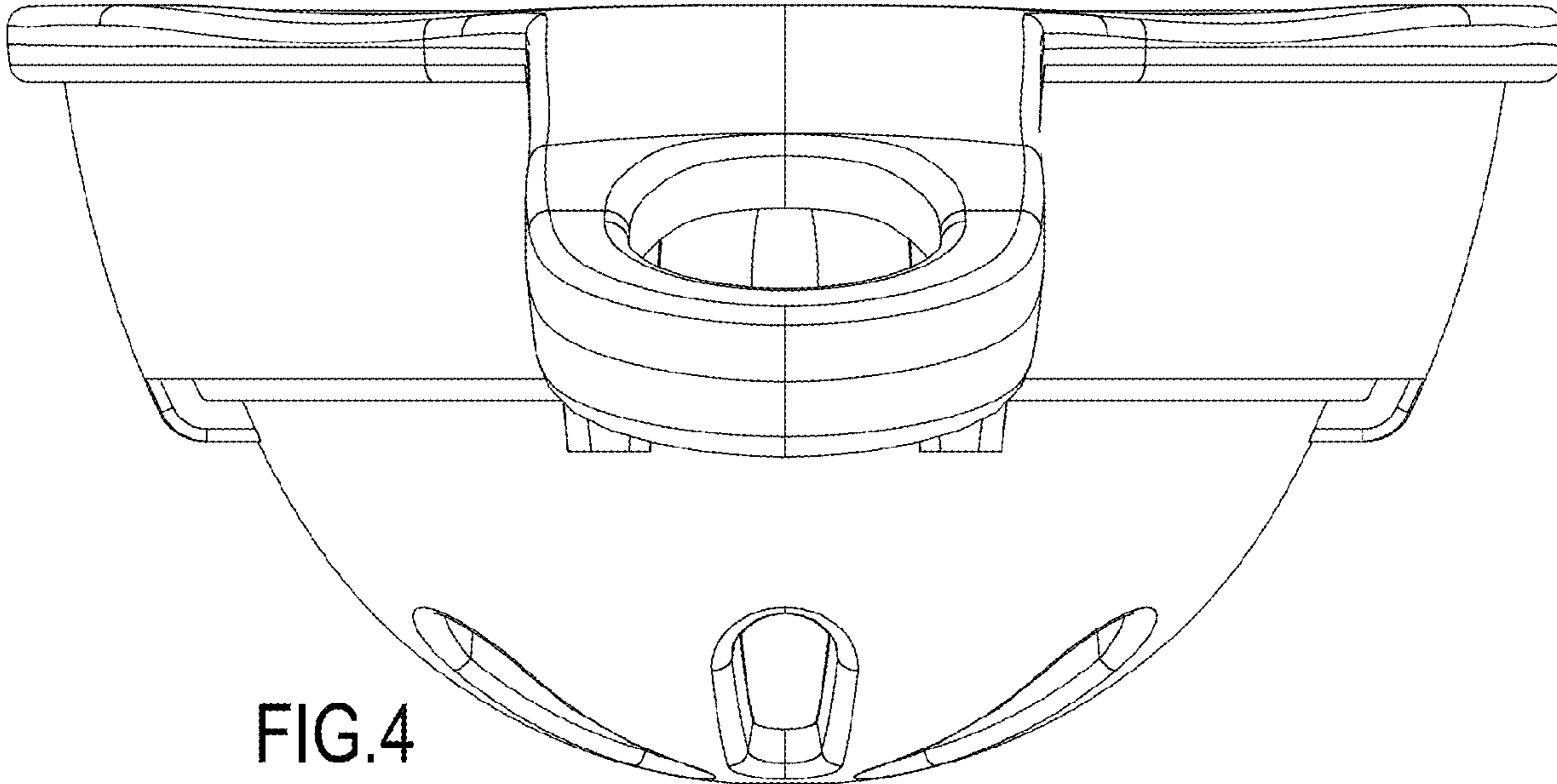
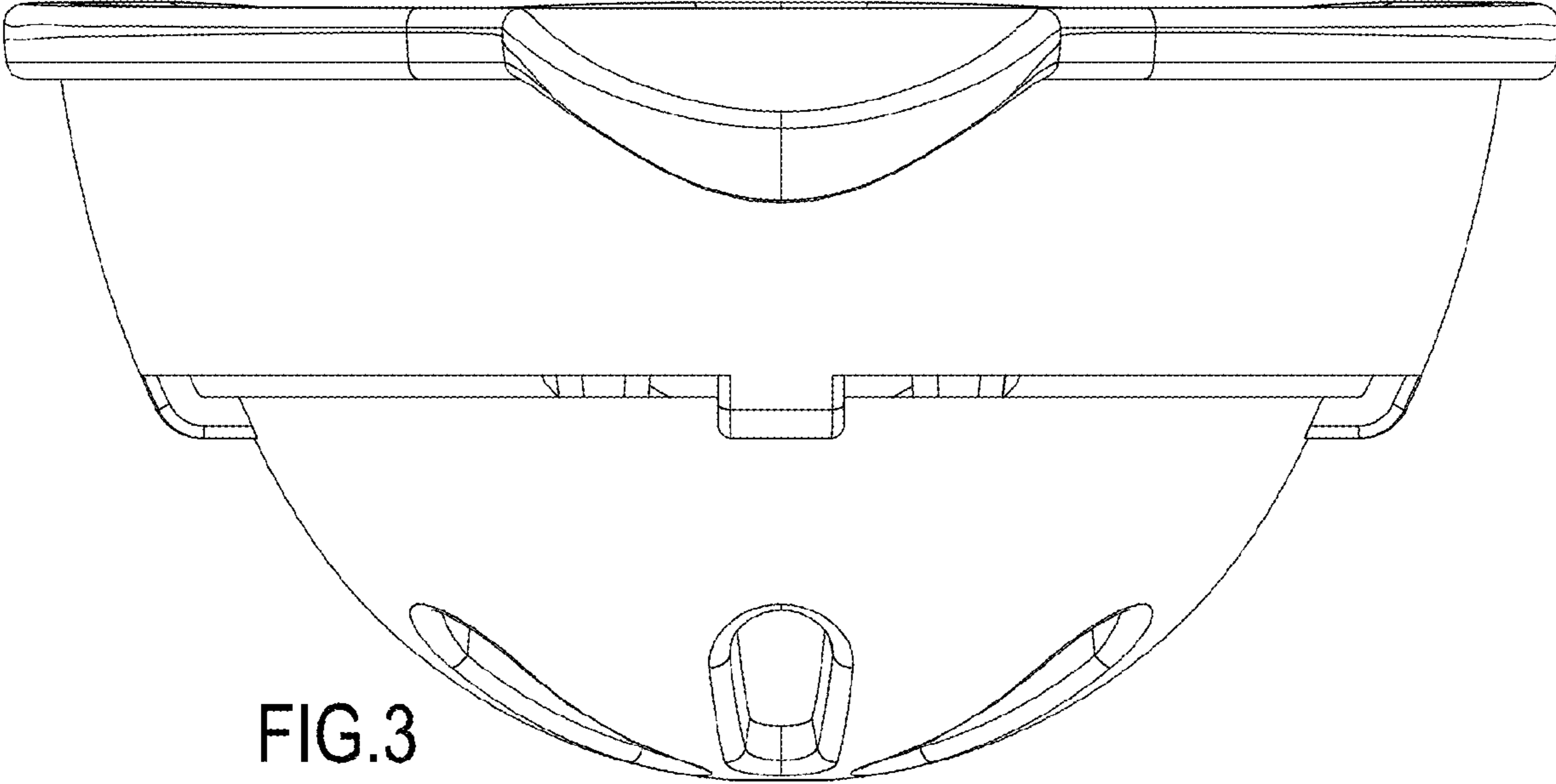


FIG. 2



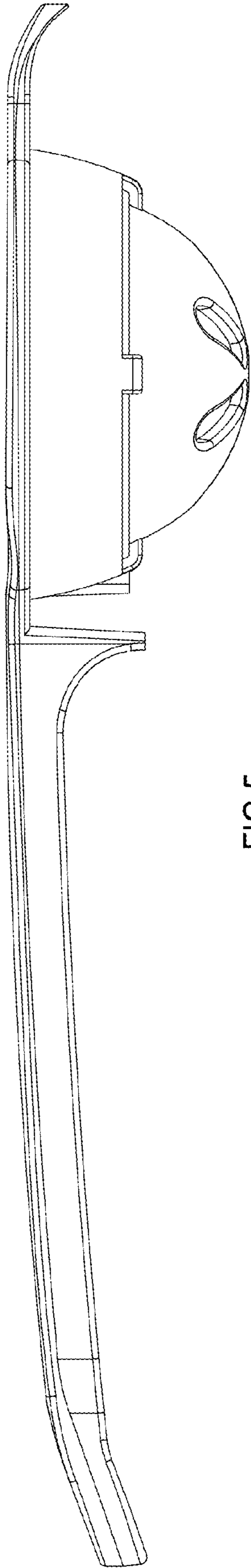


FIG. 5

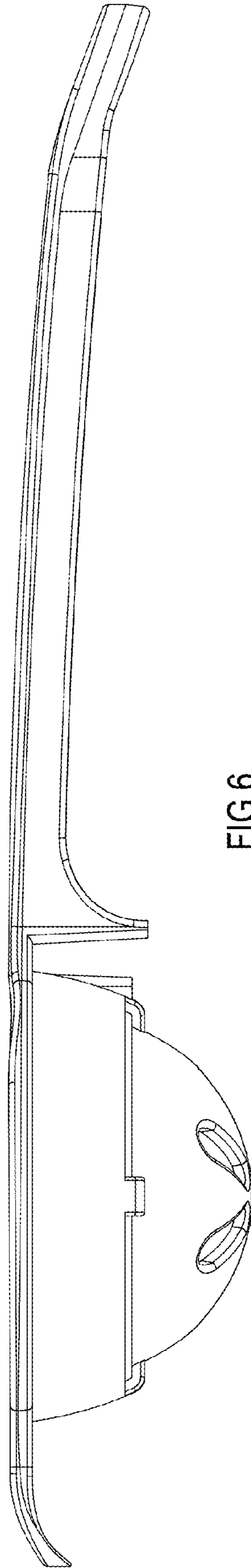


FIG. 6

