



US00D963424S

(12) **United States Design Patent** (10) **Patent No.:** **US D963,424 S**  
**Wu** (45) **Date of Patent:** **\*\* Sep. 13, 2022**

- (54) **KNIFE BLOCK**
- (71) Applicant: **SHENZHEN DINGSHI ELECTRONIC COMMERCE CO., LTD.**, Shenzhen (CN)
- (72) Inventor: **Gonghui Wu**, Shenzhen (CN)
- (73) Assignee: **SHENZHEN DINGSHI ELECTRONIC COMMERCE CO., LTD.**, Shenzhen (CN)
- (\*\*) Term: **15 Years**
- (21) Appl. No.: **29/805,488**
- (22) Filed: **Aug. 27, 2021**
- (51) **LOC (13) Cl.** ..... **07-99**
- (52) **U.S. Cl.**  
USPC ..... **D7/637**
- (58) **Field of Classification Search**  
USPC ..... D7/601, 602, 637-641, 701, 703;  
D3/304, 305, 313, 314; D6/706;  
D19/77, 81  
CPC ..... A47B 77/14; A47B 88/969; A47B 88/975;  
A47B 88/988; A47B 88/994; A47B  
2088/976; A47G 21/00; A47G 21/14;  
A47J 47/16; B65D 1/34; B65D 1/36  
See application file for complete search history.

- D852,003 S \* 6/2019 Rüschi ..... D7/637
- D915,154 S \* 4/2021 Liu ..... D7/637
- D946,357 S \* 3/2022 Yang ..... C09J 4/06  
D7/637
- 2018/0249886 A1 \* 9/2018 Thompson ..... C09J 4/06
- 2021/0127876 A1 \* 5/2021 Schmidt ..... E05B 47/023

**OTHER PUBLICATIONS**

20 Slot Universal Knife Block, first available Mar. 19, 2015, Amazon, [online], [site visited Jul. 25, 2022], Available from internet URL: <https://www.amazon.com/Slot-Universal-Knife-Block-Countertop/dp/B00V3Y3RJ8> (Year: 2015).\*

Design No. 008663827-0001, Aug. 26, 2021—European Union Intellectual Property Office (EUIPO) Publication Date—Sep. 10, 2021 Owner—Shenzhen Dingshi Electronic Commerce Co., Designer—Wu Gonghui DesignView, available at [www.tmdn.org/tmdsview-web/welcome](http://www.tmdn.org/tmdsview-web/welcome) (Year: 2021).\*

\* cited by examiner

*Primary Examiner* — Mary Ann Calabrese  
*Assistant Examiner* — Natalya M Rapundalo

(57) **CLAIM**

The ornamental design for a knife block, as shown and described.

**DESCRIPTION**

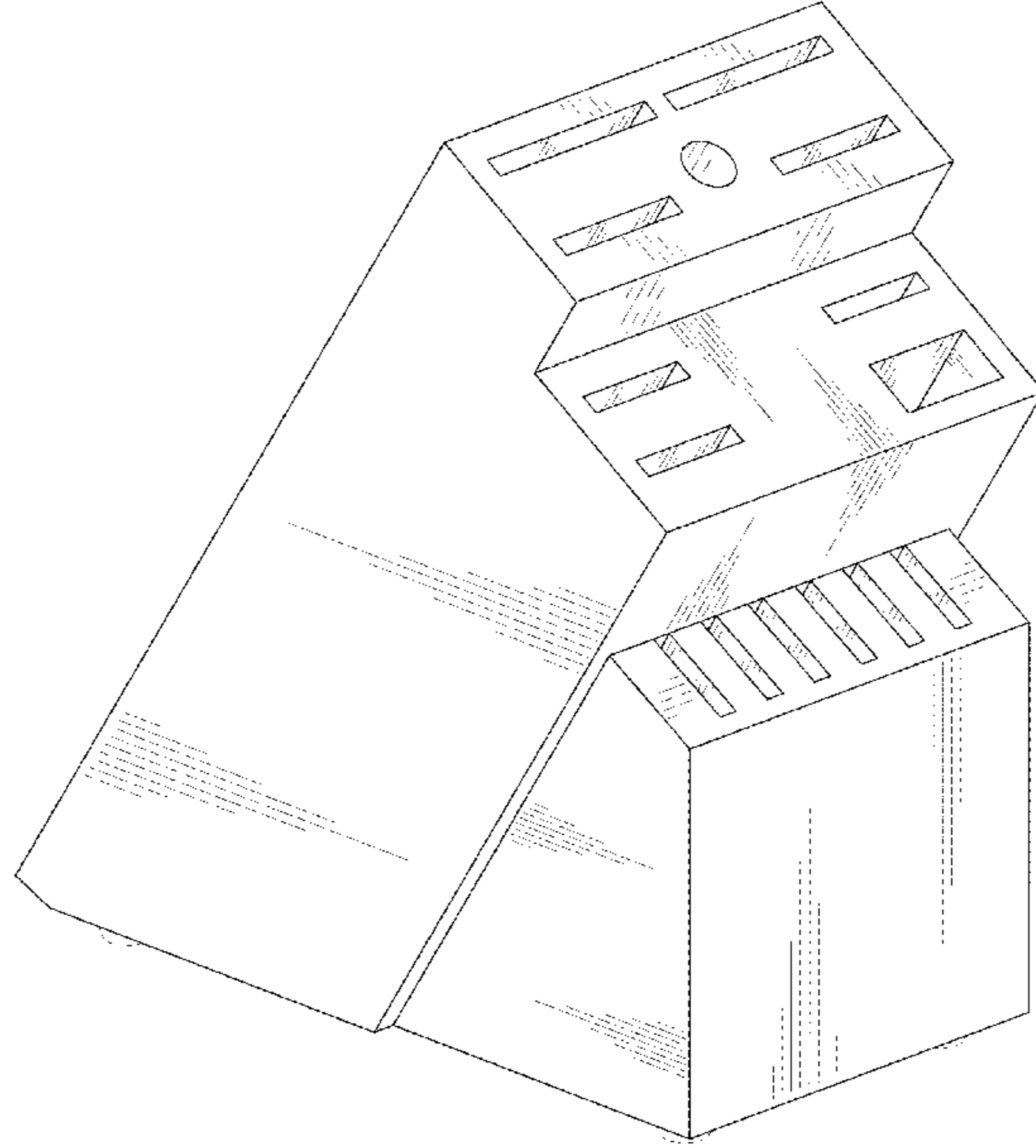
FIG. 1 is a top, front, right perspective view of a knife block showing my new design;  
FIG. 2 is a bottom, left, rear perspective view thereof;  
FIG. 3 is a top perspective view thereof;  
FIG. 4 is a front elevational view thereof;  
FIG. 5 is a rear elevational view thereof;  
FIG. 6 is a left side elevational view thereof;  
FIG. 7 is a right side elevational view thereof;  
FIG. 8 is a top plan view thereof; and,  
FIG. 9 is a bottom plan view thereof.  
The broken lines in the drawings depict portions of the knife block that form no part of the claimed design.

**1 Claim, 9 Drawing Sheets**

(56) **References Cited**

**U.S. PATENT DOCUMENTS**

- D382,774 S \* 8/1997 Cohen ..... D7/637
- D600,078 S \* 9/2009 Wang ..... D7/637
- D657,634 S \* 4/2012 de Bretton Gordon ..... D7/637
- D657,635 S \* 4/2012 de Bretton Gordon ..... D7/637
- D766,047 S \* 9/2016 Liu ..... D7/637
- D776,493 S 1/2017 McConnell et al.
- D808,229 S 1/2018 Leggett
- D838,554 S \* 1/2019 Thompson ..... D7/637



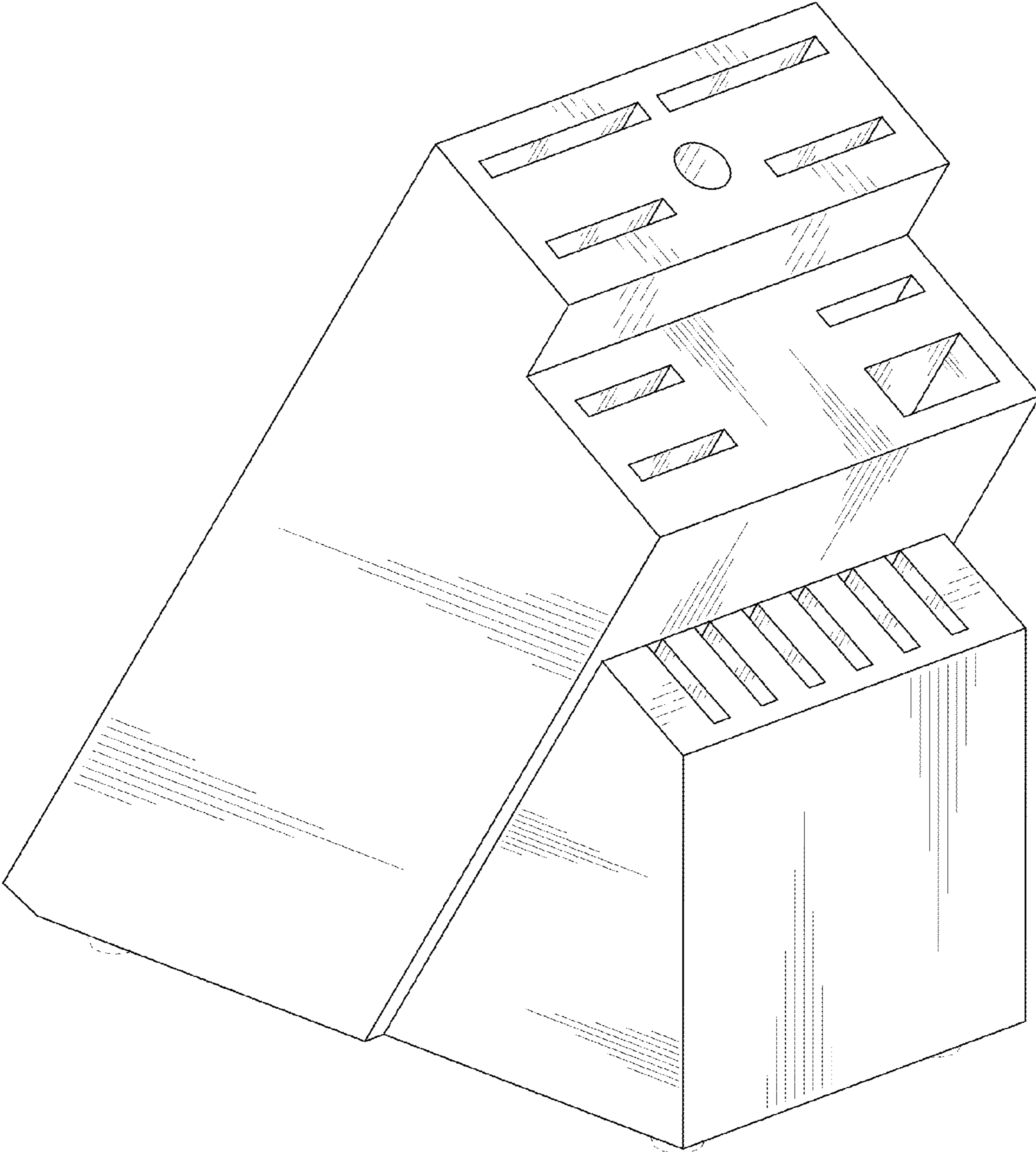


FIG. 1

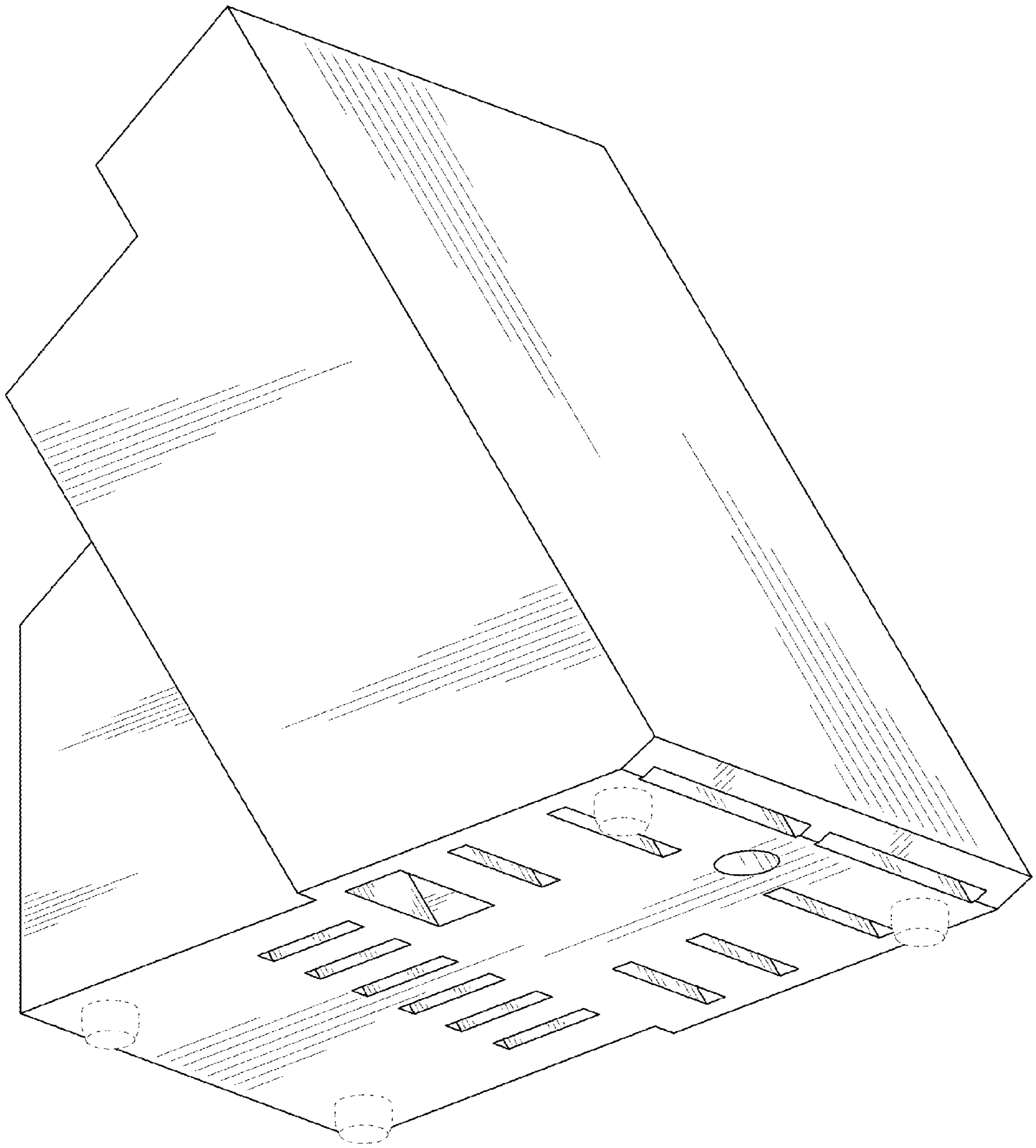


FIG. 2

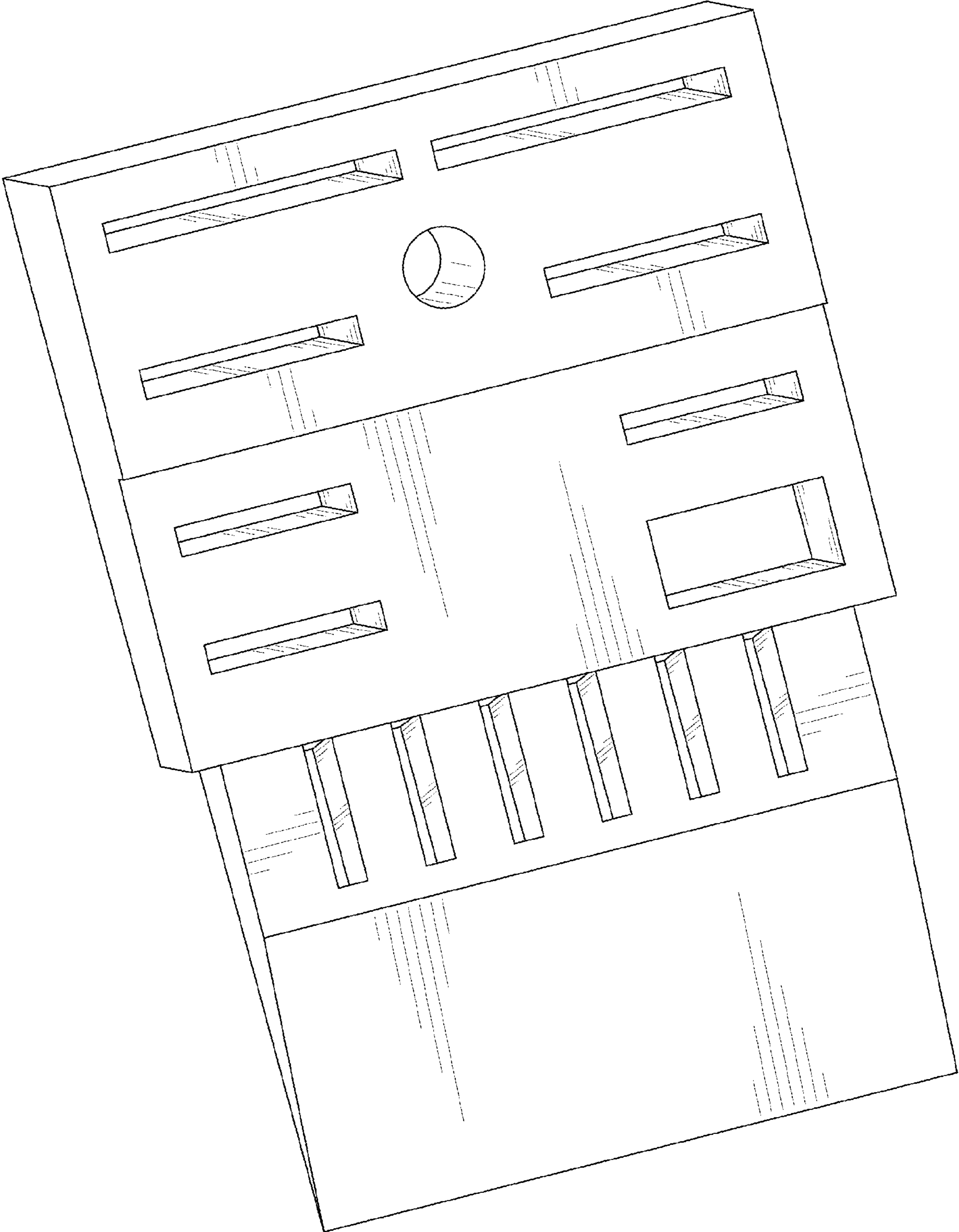


FIG. 3

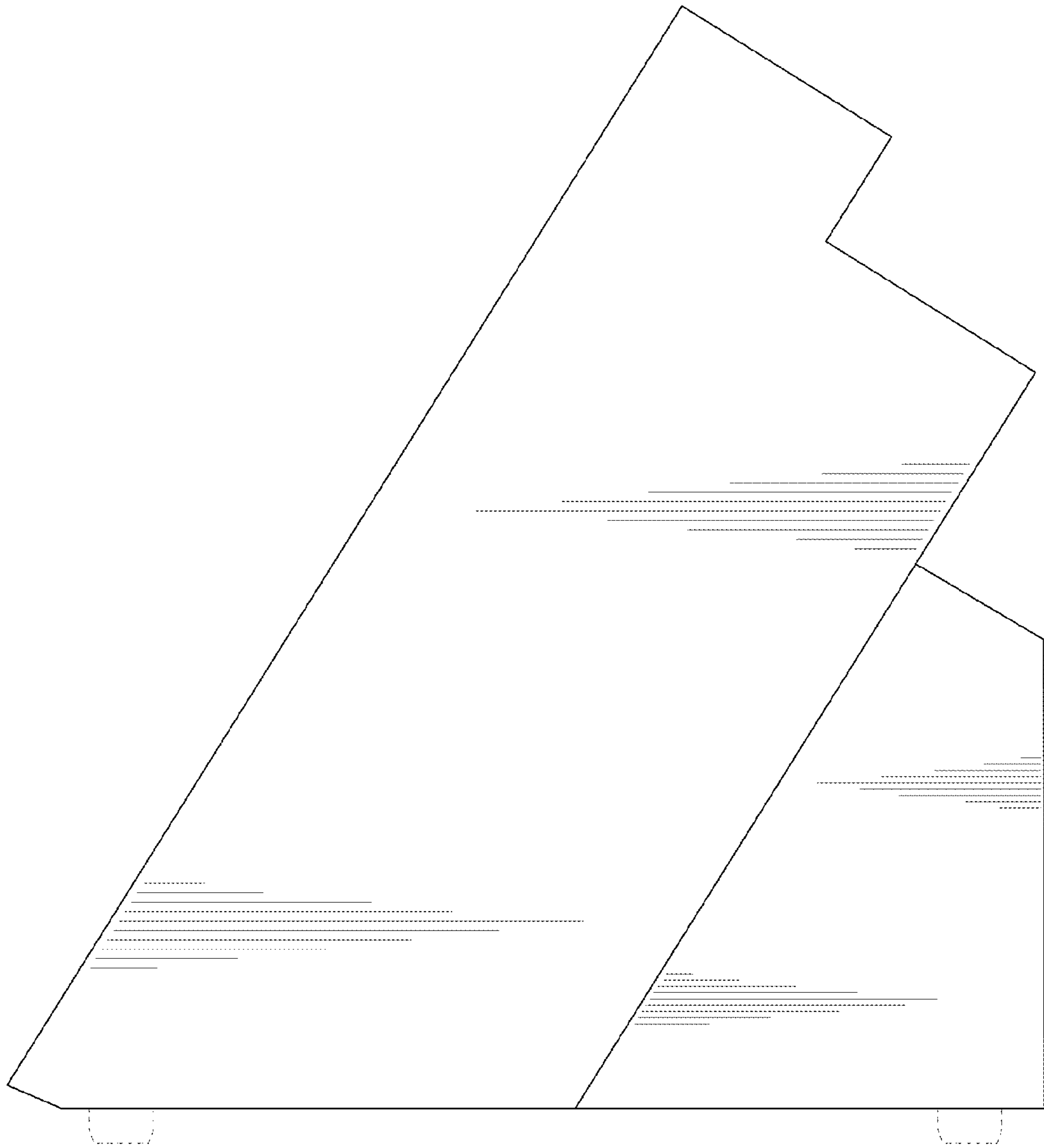


FIG. 4

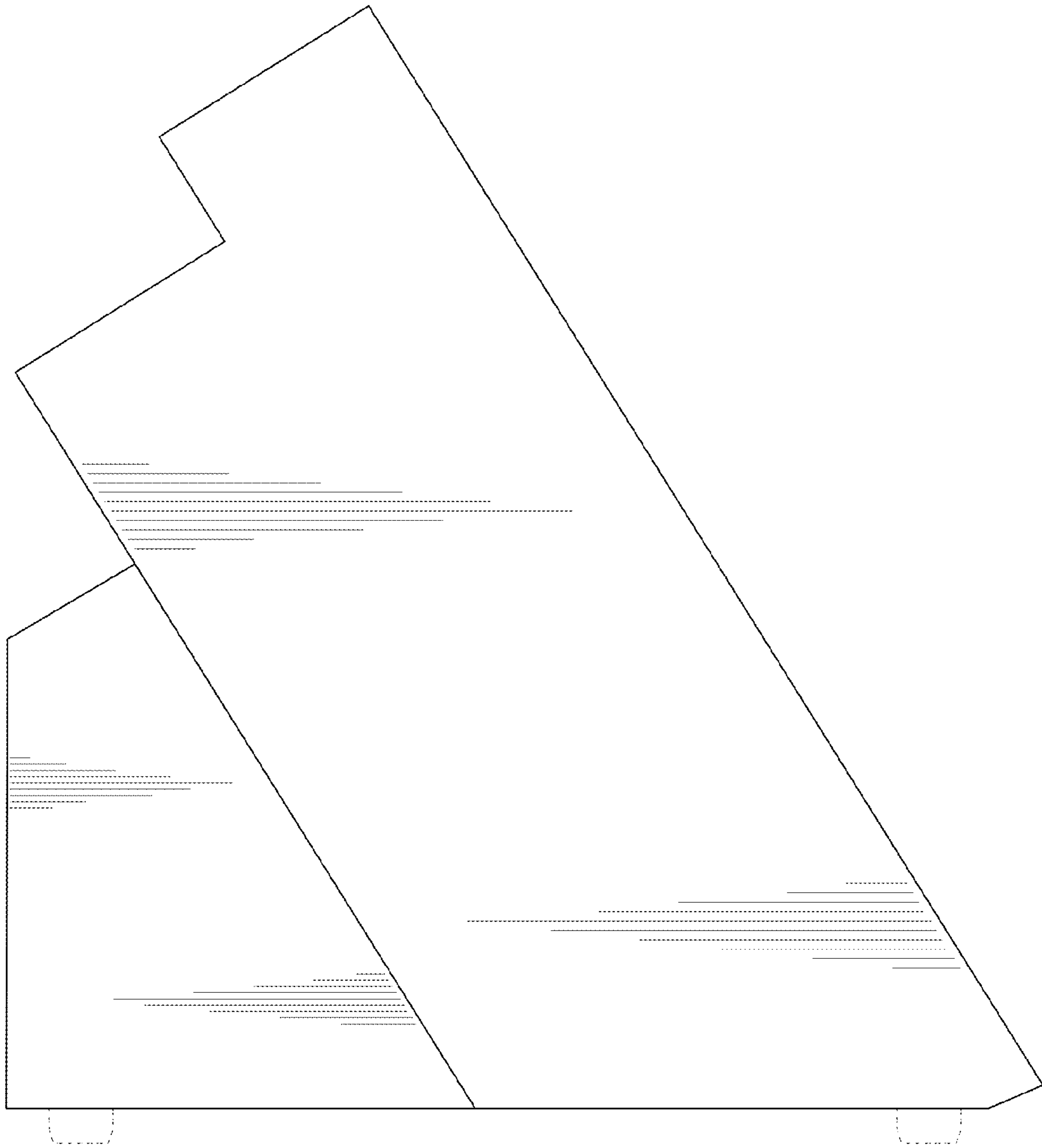


FIG. 5

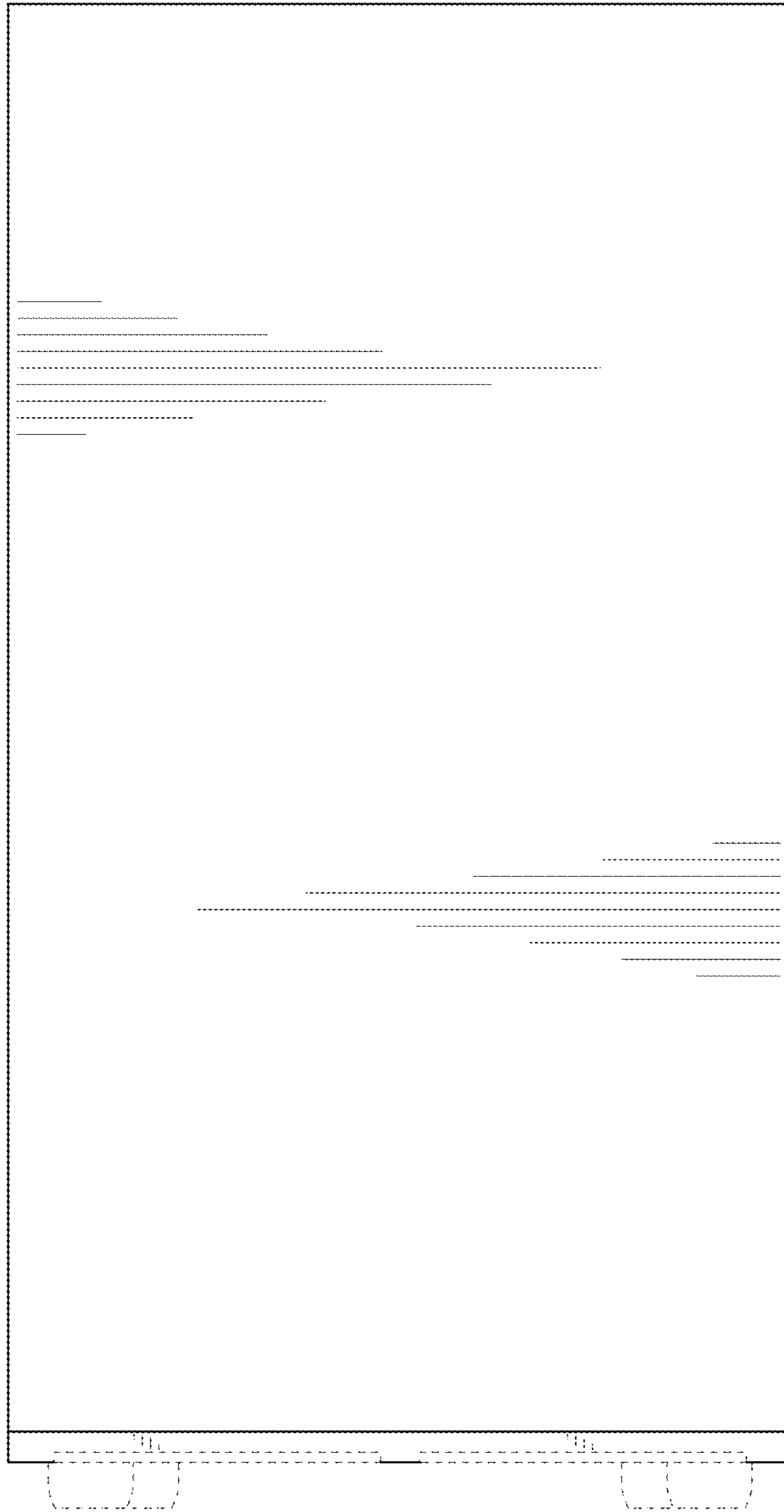


FIG. 6

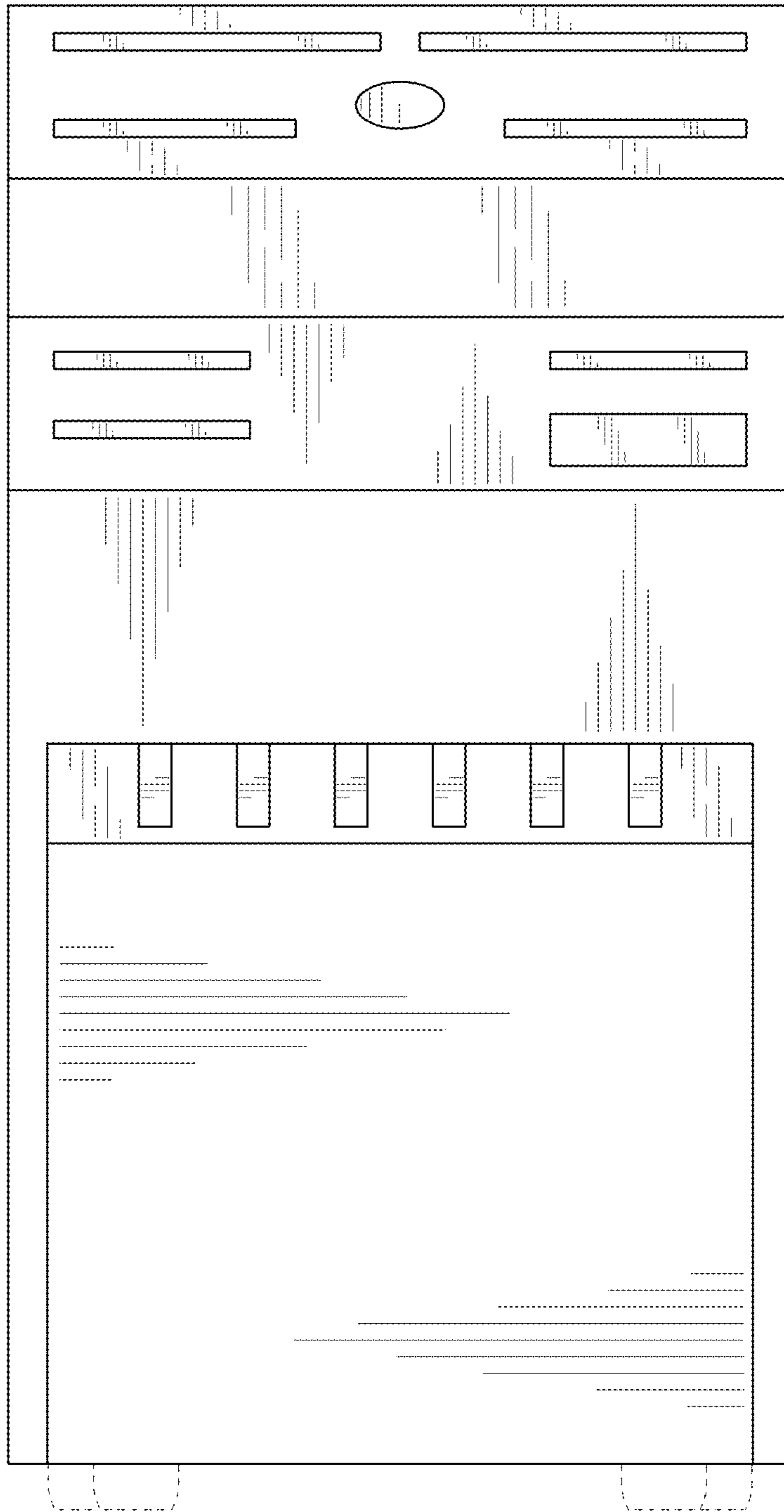


FIG. 7



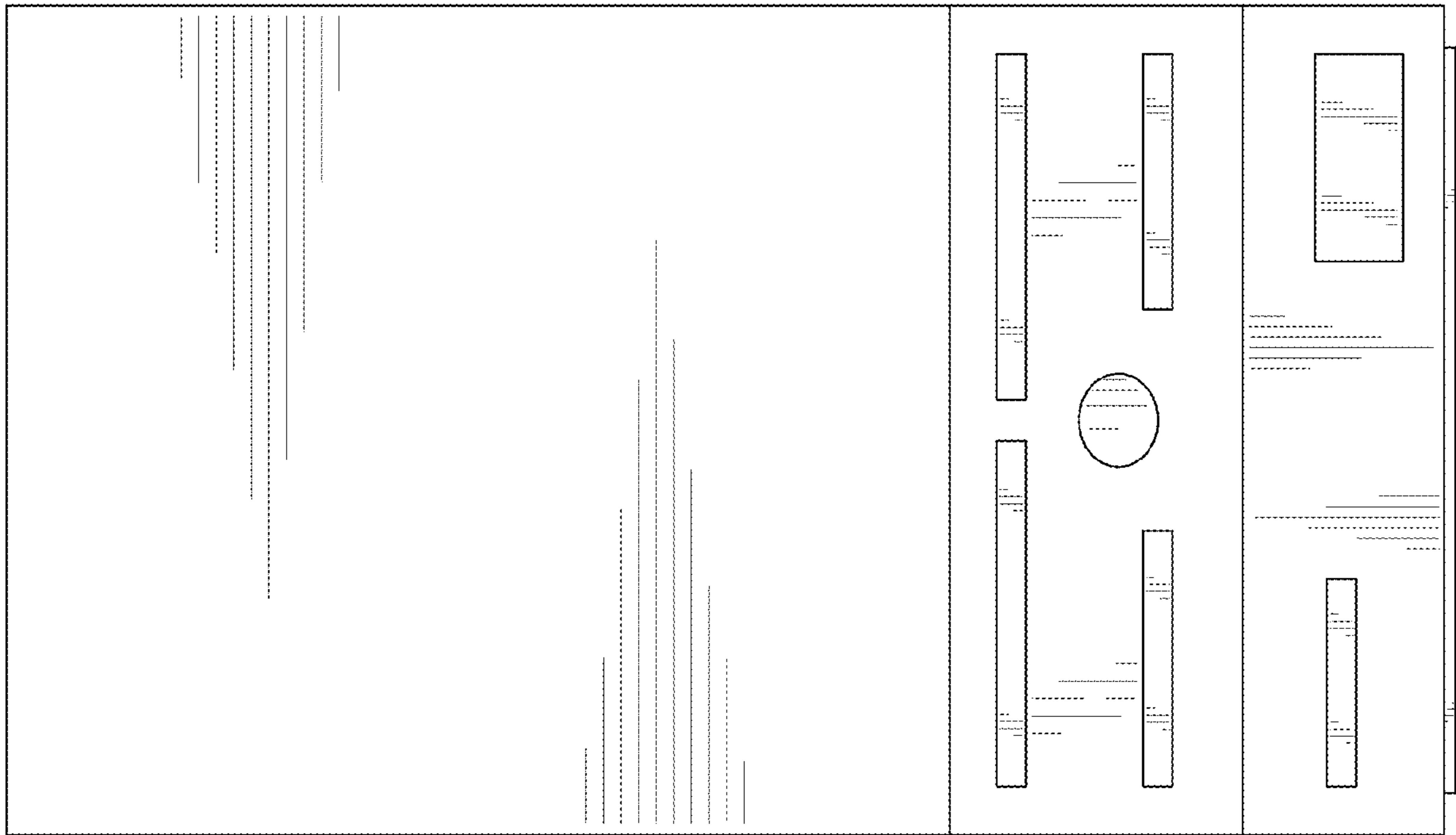


FIG. 8

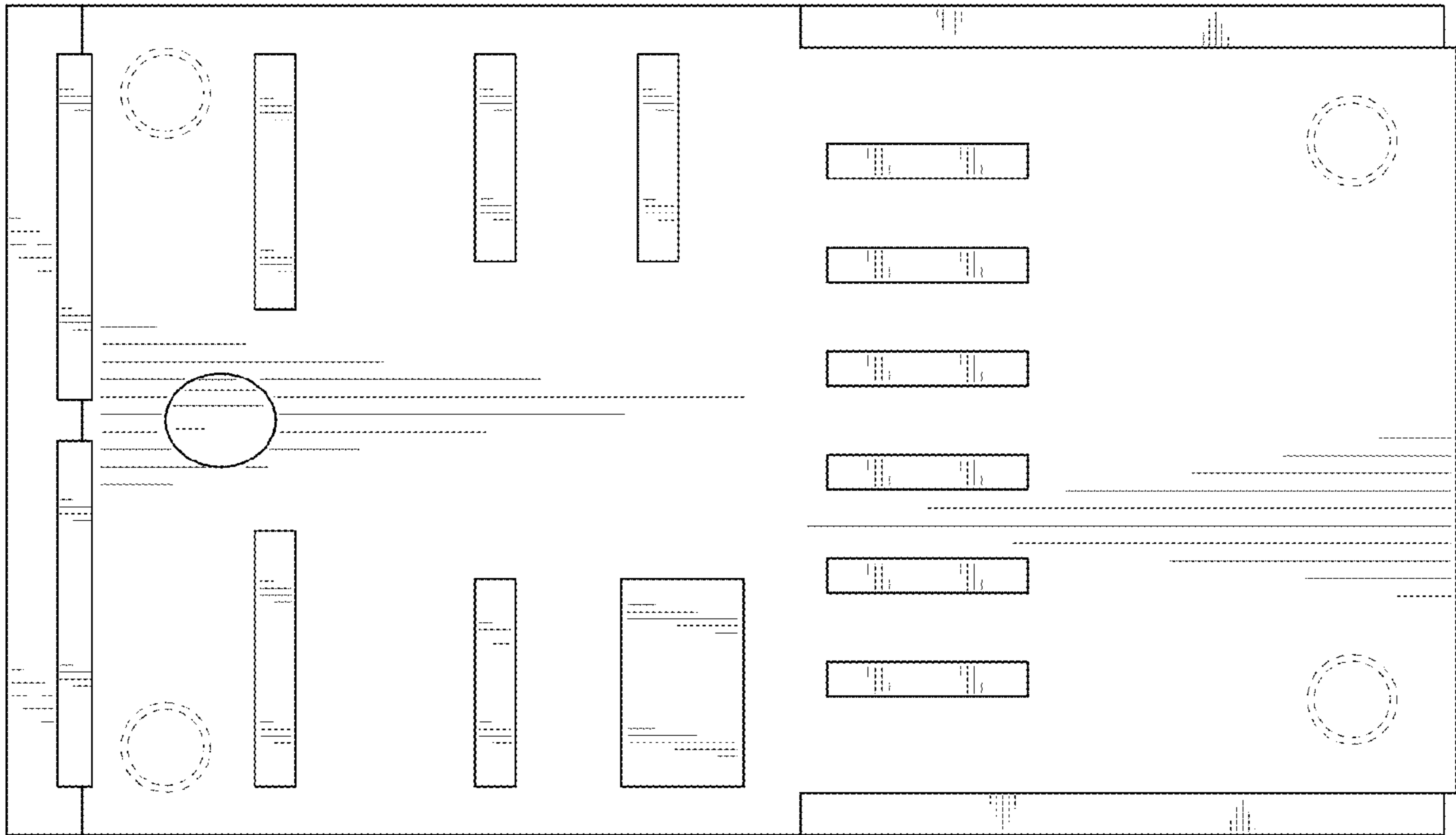


FIG. 9