



US00D963423S

(12) **United States Design Patent**
Arote et al.

(10) **Patent No.:** **US D963,423 S**
(45) **Date of Patent:** **** Sep. 13, 2022**

- (54) **STACKABLE SILVERWARE CADDY**
- (71) Applicant: **Kitchen Companions, LLC**, Fort Lauderdale, FL (US)
- (72) Inventors: **Richard Arote**, Fort Lauderdale, FL (US); **Norman Hansen**, Highland Beach, FL (US)
- (73) Assignee: **Kitchen Companions, LLC**, Fort Lauderdale, FL (US)
- (**) Term: **15 Years**
- (21) Appl. No.: **29/772,366**
- (22) Filed: **Mar. 1, 2021**

- 4,995,515 A * 2/1991 Smith B43M 99/008
211/65
- 5,411,141 A * 5/1995 Bounds A47G 21/14
206/553
- D378,564 S * 3/1997 Hall D7/637
- D675,065 S * 1/2013 Tarantino D7/601
- D689,743 S * 9/2013 Tarantino D7/637
- D705,018 S * 5/2014 Liotta A47G 21/14
D7/637
- D715,601 S * 10/2014 Elattrache D7/637
- D723,875 S * 3/2015 Elattrache D7/637

(Continued)

Primary Examiner — Joseph Kukella
Assistant Examiner — Darryl J Dardenne
(74) *Attorney, Agent, or Firm* — Robert M. Schwartz

(57) **CLAIM**

The ornamental design for a stackable silverware caddy, as shown and described.

DESCRIPTION

FIG. 1 is a front perspective view of the invention.
FIG. 2 is a top view of the invention shown in FIG. 1.
FIG. 3 is a bottom view of the invention shown in FIG. 1.
FIG. 4 is a side view of the invention shown in FIG. 1 with the left side view and the right side view being mirror images of each other.
FIG. 5 is a front view of the invention shown in FIG. 1 with the front view and the rear view being identical mirror images of each other.
FIG. 6 is a front perspective view of an alternative embodiment of the invention; and,
FIG. 7 is a front view of the invention shown in FIG. 6 with the front view and the rear view being identical mirror images of each other.
Surface shading has been added in the drawing figures to show the character and contour of the surfaces of the design. The broken lines shown in the figures depict portions of the article that form no part of the claimed design.

1 Claim, 4 Drawing Sheets

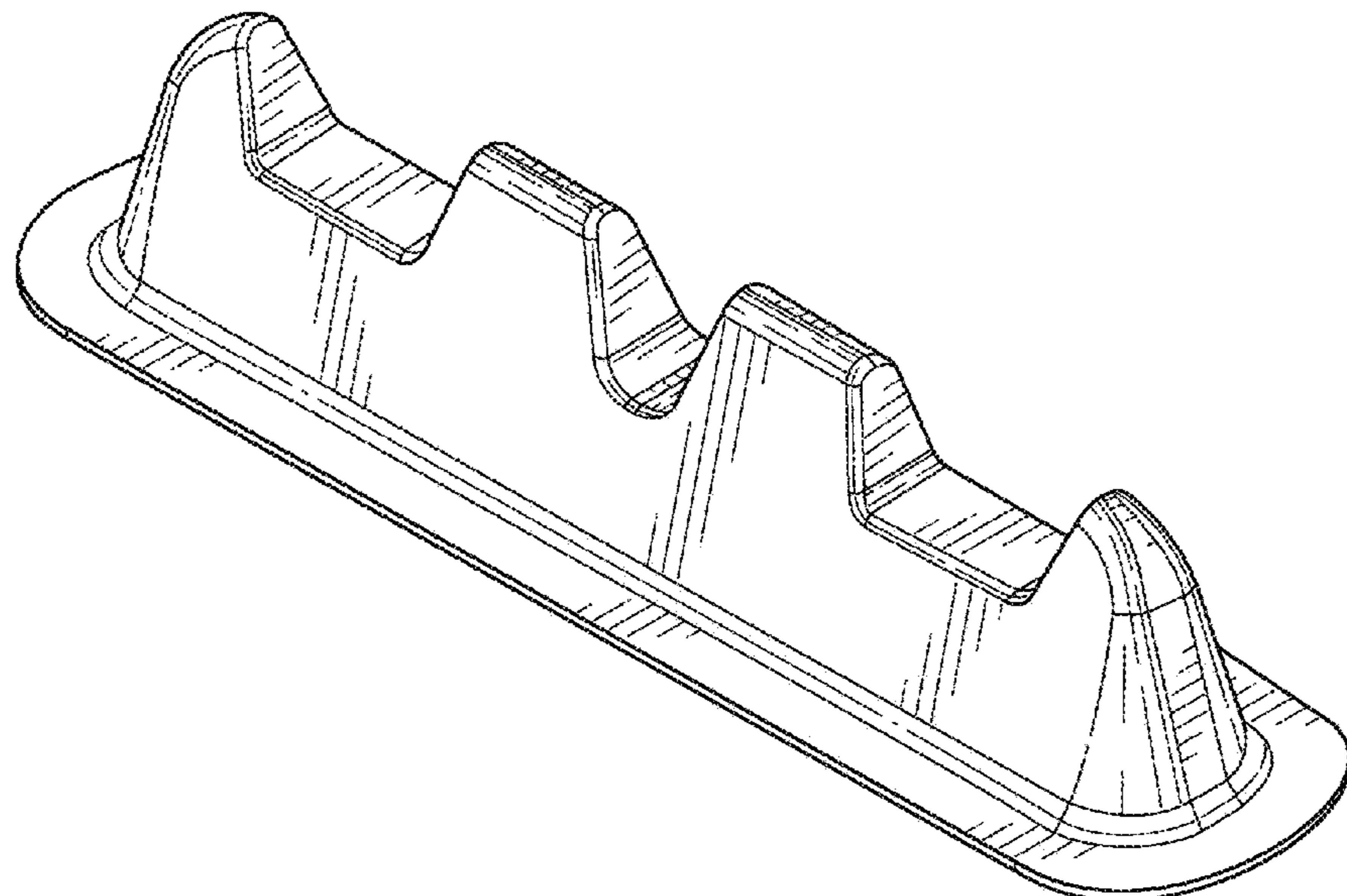
Related U.S. Application Data

- (63) Continuation-in-part of application No. 29/736,392, filed on May 29, 2020.
- (51) **LOC (13) Cl.** **07-09**
- (52) **U.S. Cl.**
USPC **D7/637**
- (58) **Field of Classification Search**
USPC D3/220, 273, 295, 315, 905; D7/213,
D7/623, 637, 639, 640, 641, 649, 651;
D8/35, 38, 63, 71, 91
CPC A47B 88/90; A47G 21/14; A47J 47/16;
B24D 15/084; B25H 3/04
See application file for complete search history.

(56) **References Cited**

U.S. PATENT DOCUMENTS

- 2,664,005 A * 12/1953 Kosinski A47J 47/16
211/70.1
- D244,340 S * 5/1977 Ashton D7/641
- 4,834,328 A * 5/1989 Hall A47G 21/14
248/174



(56)

References Cited

U.S. PATENT DOCUMENTS

D740,619 S * 10/2015 Elliott A47G 21/14
D758,807 S * 6/2016 Hepburn A47G 21/14
D764,874 S * 8/2016 Tarantino D7/637
D788,547 S * 6/2017 Hepburn D7/637
D817,723 S * 5/2018 Elattrache D7/638
10,226,143 B1 * 3/2019 Oser A47G 21/14
10,555,630 B2 * 2/2020 Green A47G 21/14
D886,549 S * 6/2020 Kim B43M 99/008
D886,551 S * 6/2020 Clark D7/637
10,736,448 B2 * 8/2020 Clark A47G 21/14
D904,069 S * 12/2020 Juilly D6/534
D904,832 S * 12/2020 Medeiros Santos D7/637
2009/0101604 A1 * 4/2009 Restis A47L 19/02
2010/0206997 A1 * 8/2010 Starke A47G 21/14
2011/0114533 A1 * 5/2011 Le A47G 21/14
2013/0037660 A1 * 2/2013 Tarantino A47G 21/14
2013/0087664 A1 * 4/2013 Weavel G09F 23/08
2015/0157154 A1 * 6/2015 Rothenberg A47G 21/14
2020/0214483 A1 * 7/2020 Clark A47G 21/14

* cited by examiner

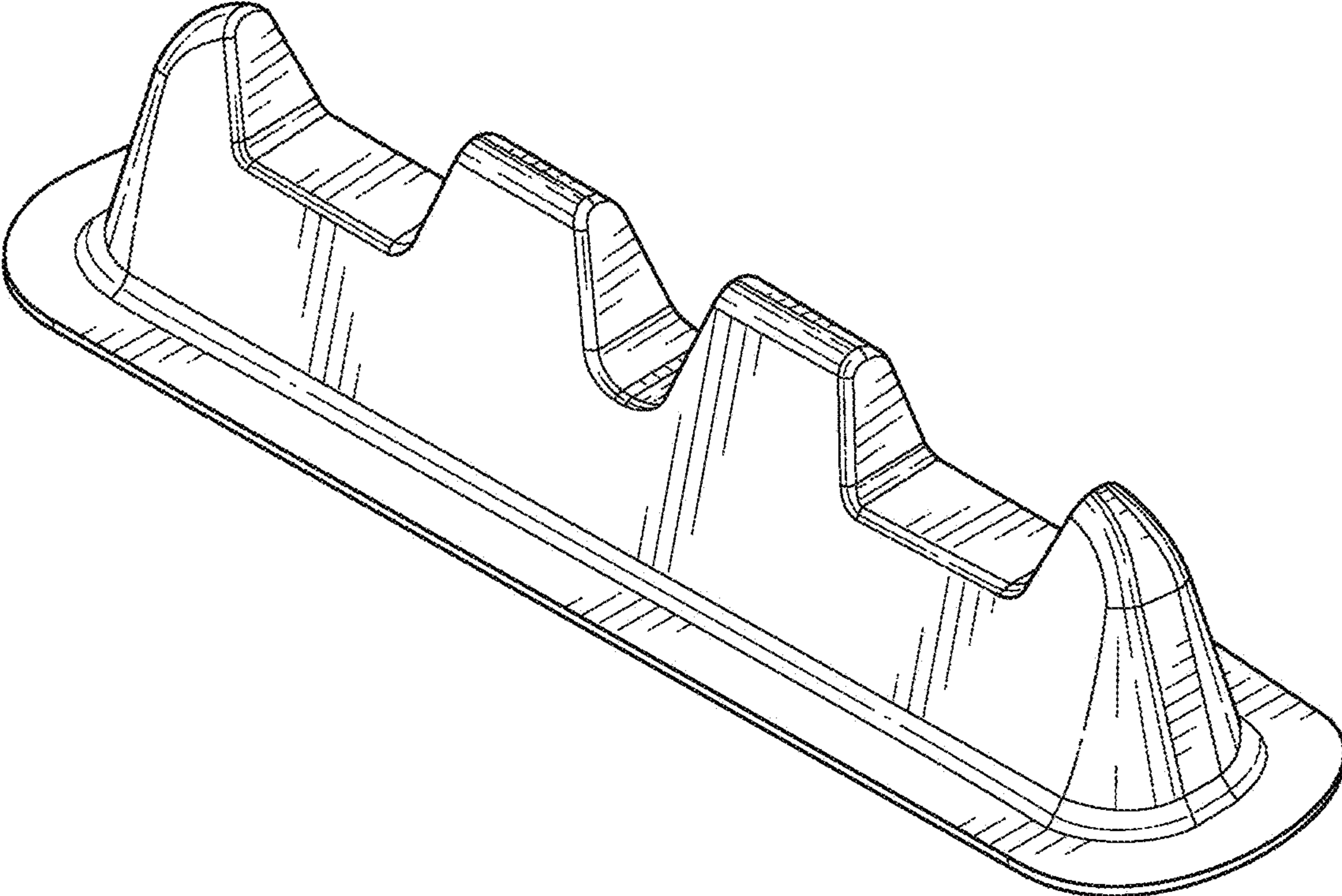


FIG. 1

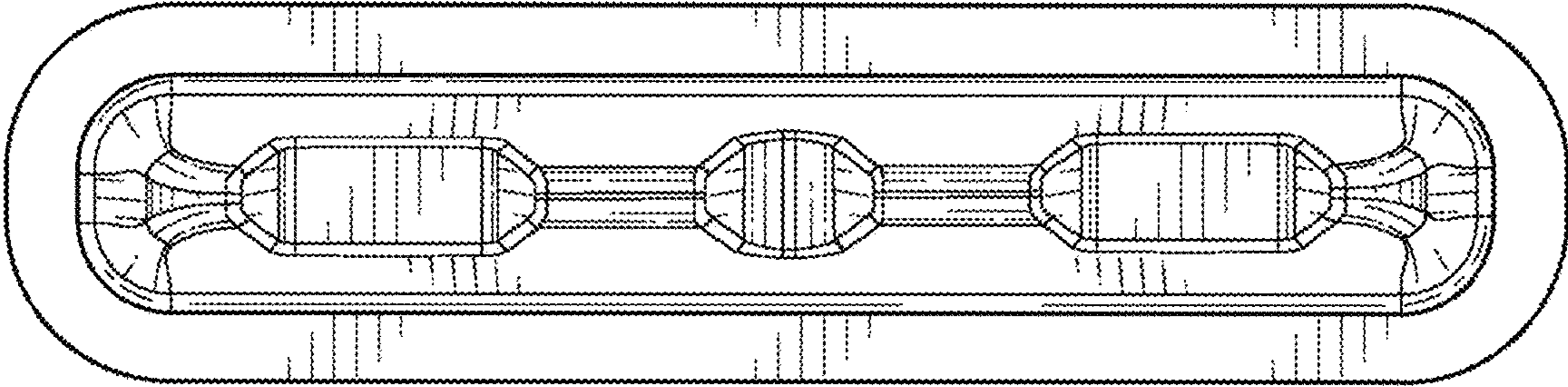


FIG. 2

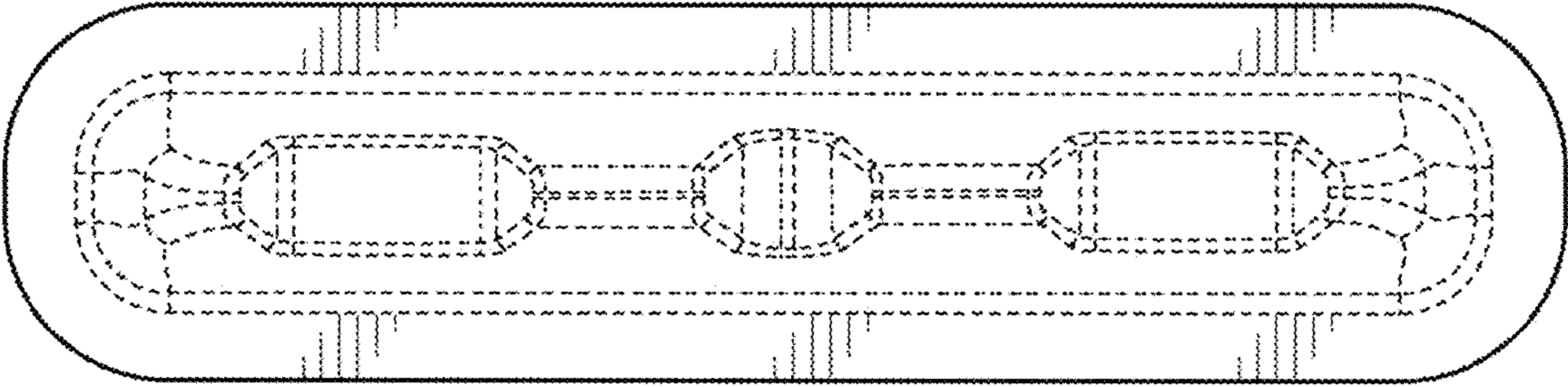


FIG. 3

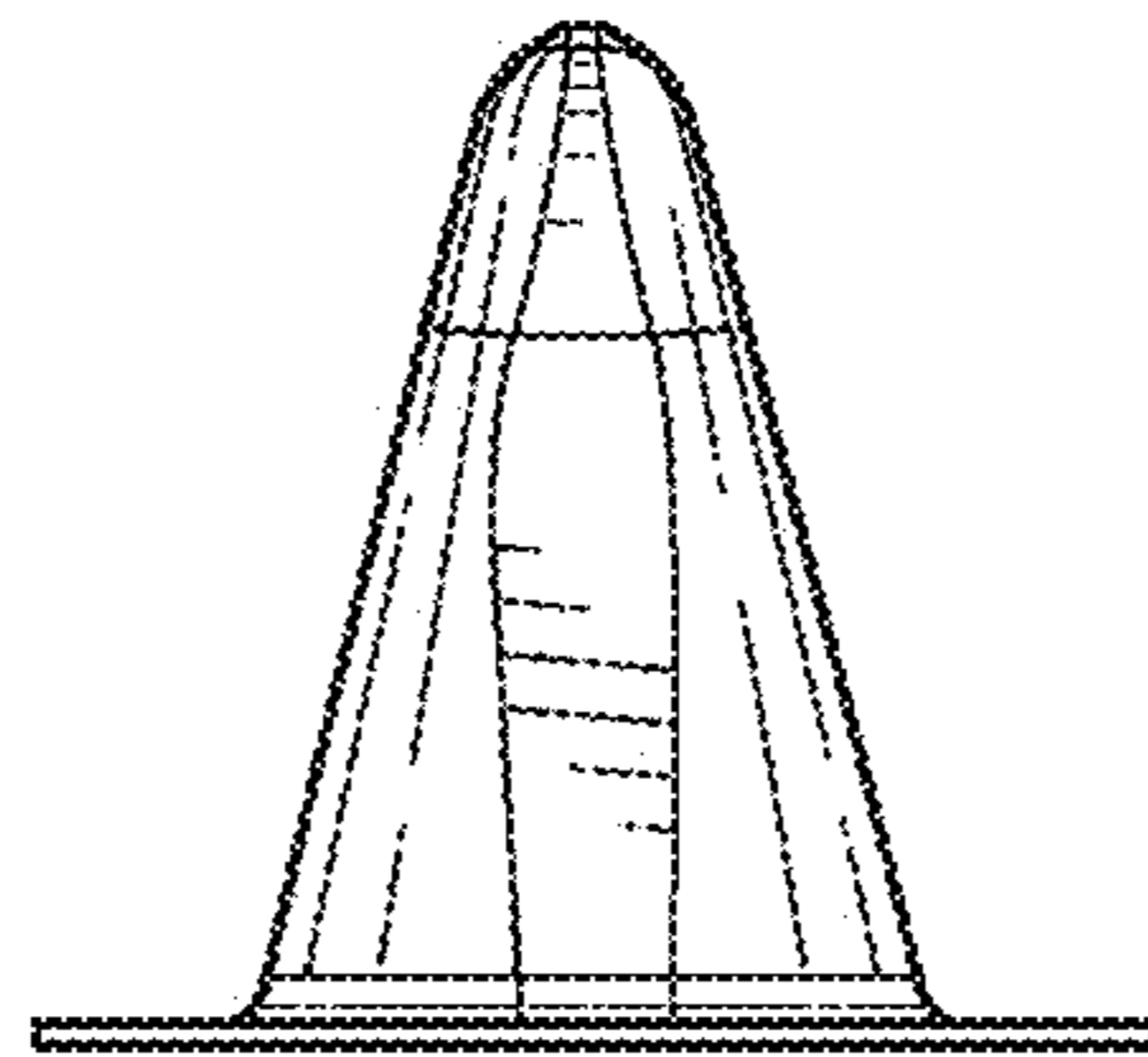


FIG. 4

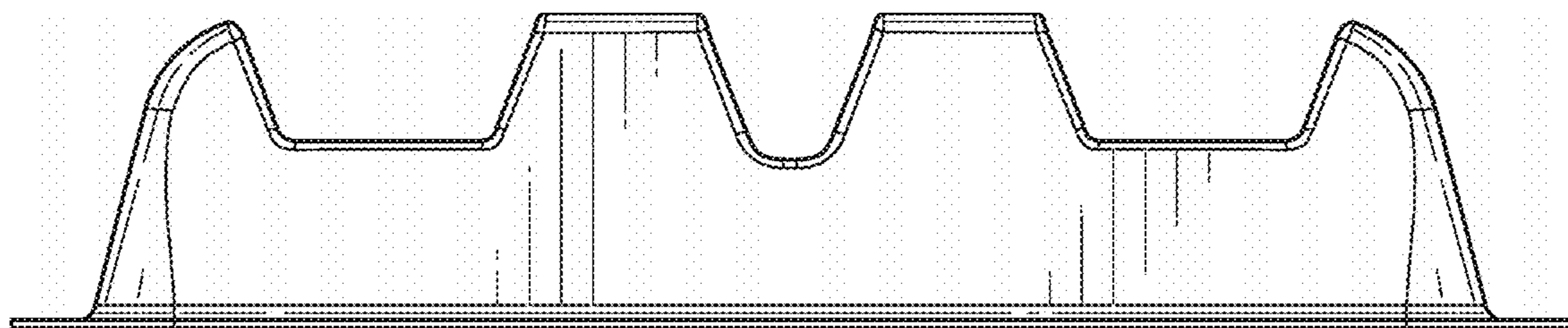


FIG. 5

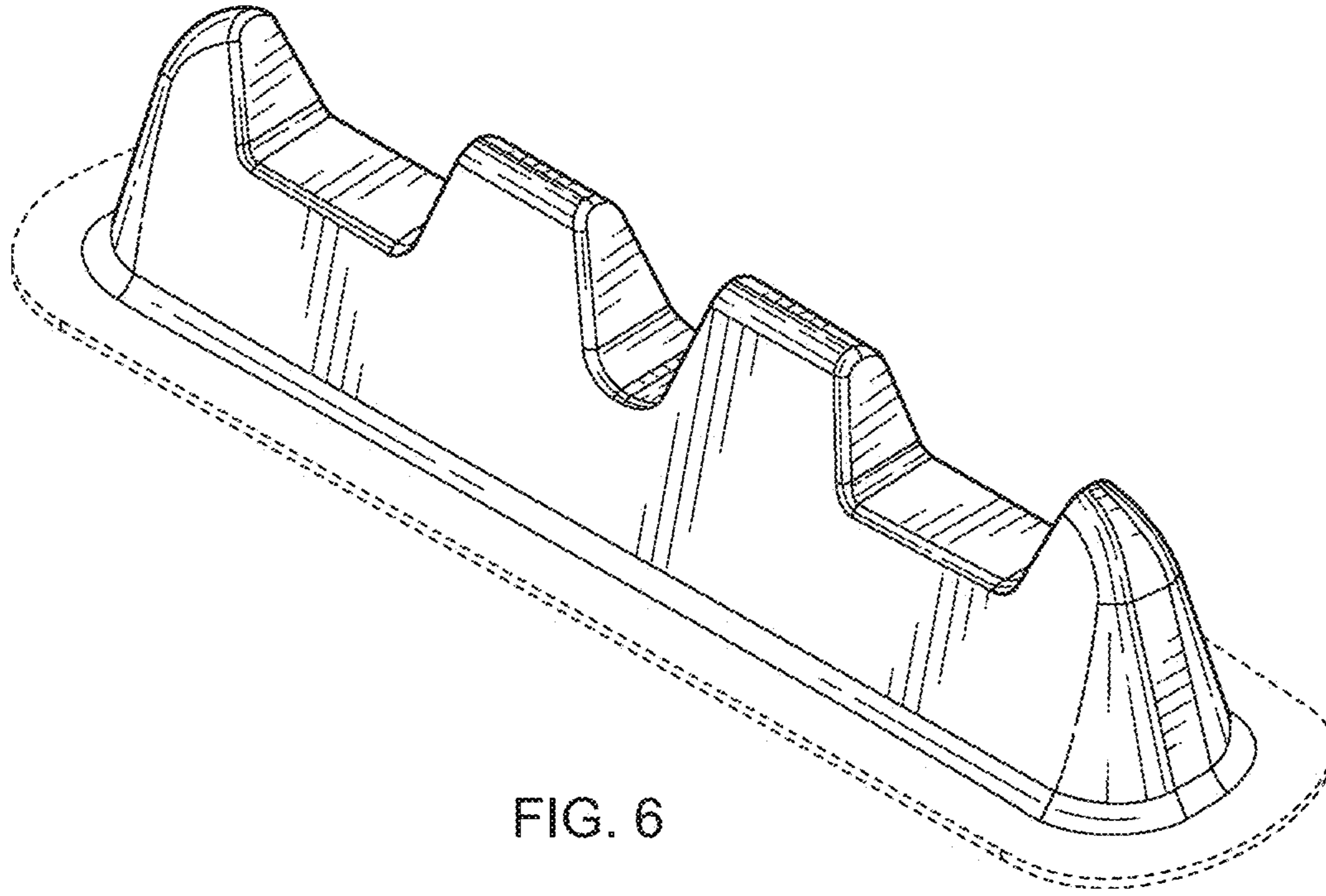


FIG. 6

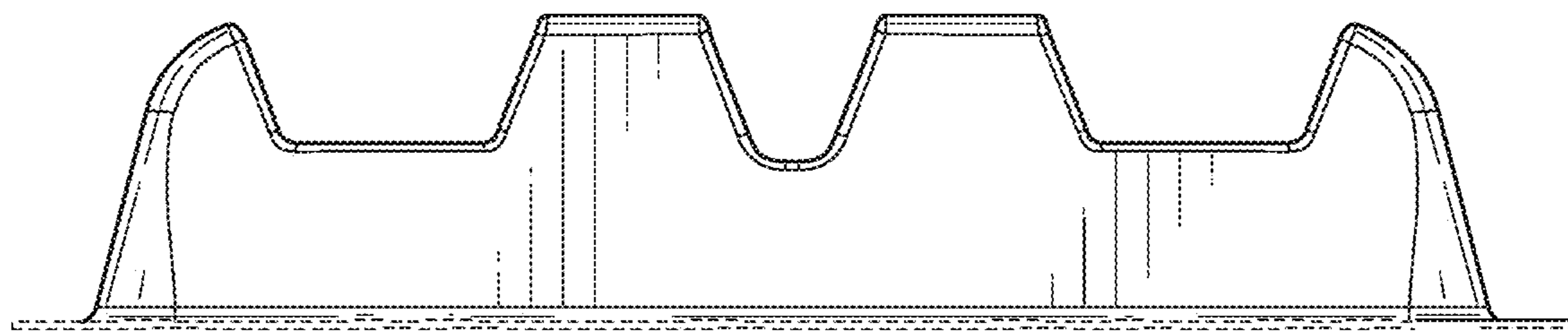


FIG. 7