



US00D963421S

(12) **United States Design Patent**
Bowers

(10) **Patent No.:** **US D963,421 S**
(45) **Date of Patent:** **** Sep. 13, 2022**

(54) **PAIR OF CUP HOLDERS FOR A CHILD CAR SEAT SEAT**

(71) Applicant: **Wonderland Switzerland AG,**
Steinhausen (CH)

(72) Inventor: **Patrick Bowers,** West Chester, PA (US)

(73) Assignee: **WONDERLAND SWITZERLAND AG,** Steinhausen (CH)

(**) Term: **15 Years**

(21) Appl. No.: **29/742,339**

(22) Filed: **Sep. 23, 2020**

(51) **LOC (13) Cl.** **07-09**

(52) **U.S. Cl.**
USPC **D7/620**

(58) **Field of Classification Search**
USPC D7/619.1, 620, 701; D6/333; D12/419
CPC A47D 1/00; A47D 1/002; A47D 15/00;
B60N 2/2866; B60N 2/2851; B60N 2/26;
B60N 2/28; B60N 2/75; B60N 2/2872;
B60N 2/2821; B60N 2/787; B60N 2/286;
B60N 3/10; B60N 3/101; B60N 3/102;
B60N 3/103; B60N 3/105; B60N 3/108

See application file for complete search history.

(56) **References Cited**

U.S. PATENT DOCUMENTS

D478,479 S * 8/2003 Garvin B60N 3/108
D7/620
D527,955 S * 9/2006 Shibata B62B 7/145
D7/620
D594,706 S * 6/2009 Bernard D7/620
D673,816 S * 1/2013 Phillips D7/620
D714,594 S * 10/2014 Blandl D12/419
D746,071 S * 12/2015 Haley D6/333
D755,575 S * 5/2016 Pratt D7/620

9,376,037 B1 * 6/2016 Mattarocci B60N 2/265
D789,157 S * 6/2017 Esposito B60N 2/265
D7/619.1
D837,537 S * 1/2019 Huntley B60N 2/2806
D6/333
D841,346 S * 2/2019 Huntley B60N 2/26
D6/333
10,266,077 B2 * 4/2019 Mason B60N 2/28
10,576,849 B2 * 3/2020 Lehman B60N 2/2806
10,696,192 B2 * 6/2020 Harmes, V B60N 2/2872
D927,269 S * 8/2021 Matteucci D7/701
D943,295 S * 2/2022 Zhao D6/333
11,318,866 B2 * 5/2022 Zhao B60N 2/26
2002/0096916 A1 * 7/2002 Combs B60N 3/108
297/188.14
2006/0113826 A1 * 6/2006 Balensiefer B60N 3/101
297/188.01
2012/0292956 A1 * 11/2012 Gaudreau, Jr. B60N 2/2881
297/188.14

(Continued)

Primary Examiner — Joseph Kukella

Assistant Examiner — Darryl J Dardenne

(74) *Attorney, Agent, or Firm* — Bacon & Thomas, PLLC

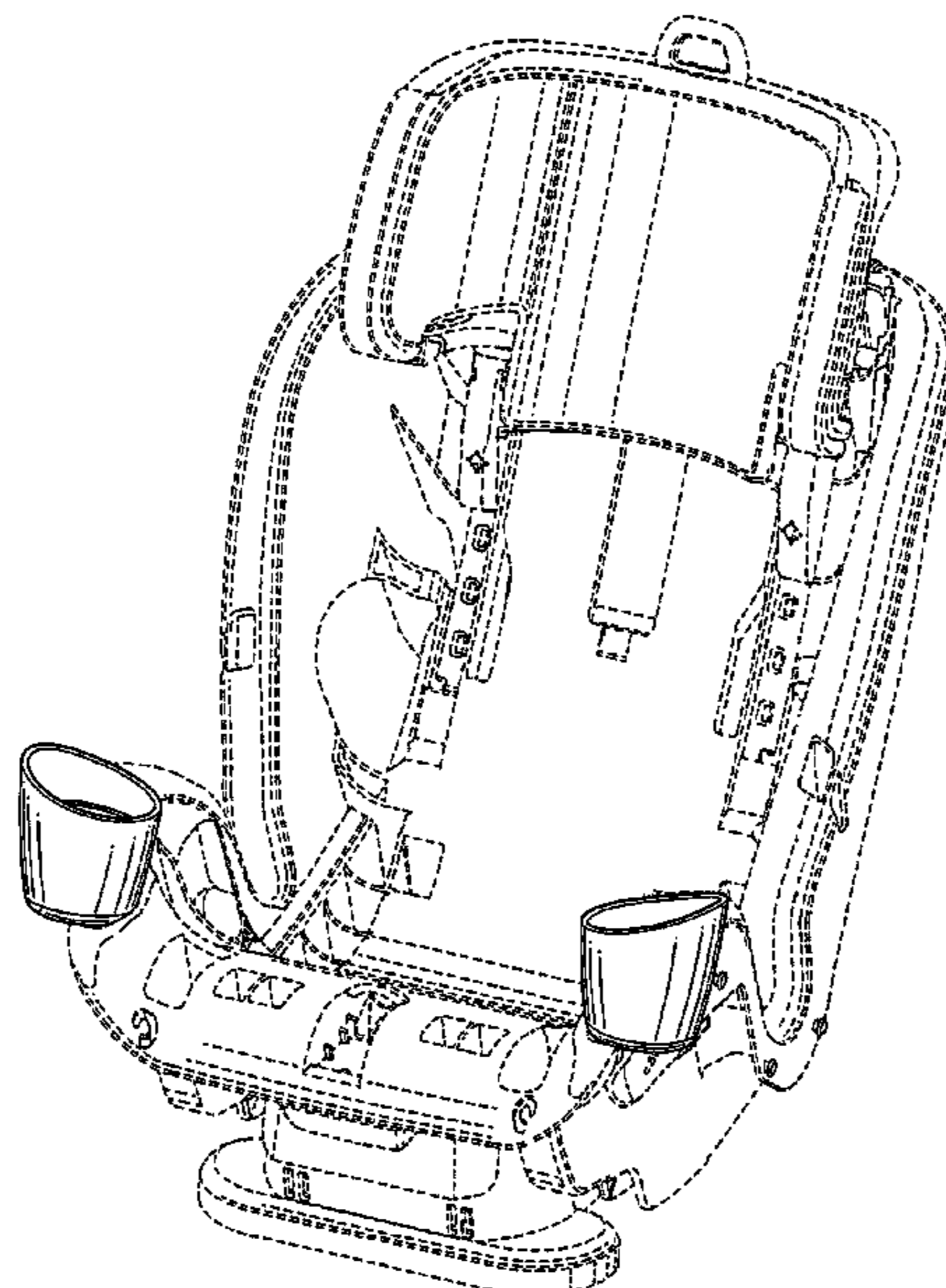
(57) **CLAIM**

The ornamental design for a pair of cup holders for a child car seat, as shown and described.

DESCRIPTION

FIG. 1 is a perspective view of a pair of cup holders for a child car seat, showing my new design;
FIG. 2 is a front view of FIG. 1;
FIG. 3 is a rear view of FIG. 1;
FIG. 4 is a left side view of FIG. 1;
FIG. 5 is a right side view of FIG. 1;
FIG. 6 is a top view of FIG. 1; and,
FIG. 7 is a bottom view of FIG. 1.
In the drawings, the broken lines depict environmental subject matter only and form no part of the claimed design.

1 Claim, 7 Drawing Sheets



(56)

References Cited

U.S. PATENT DOCUMENTS

2017/0259720 A1* 9/2017 Lombardi B62B 7/145
2018/0015855 A1* 1/2018 Lehman B60N 3/103

* cited by examiner

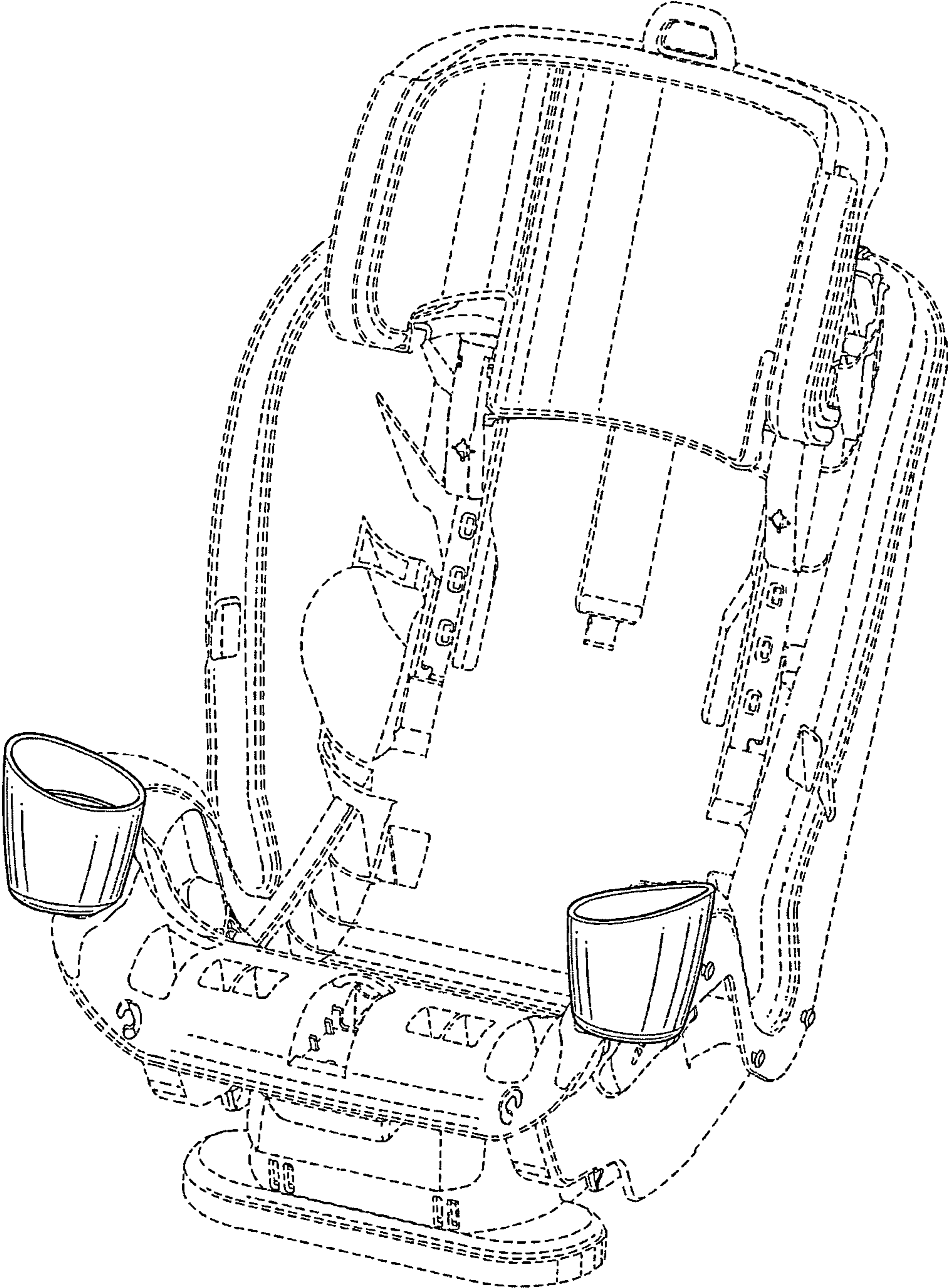


FIG. 1

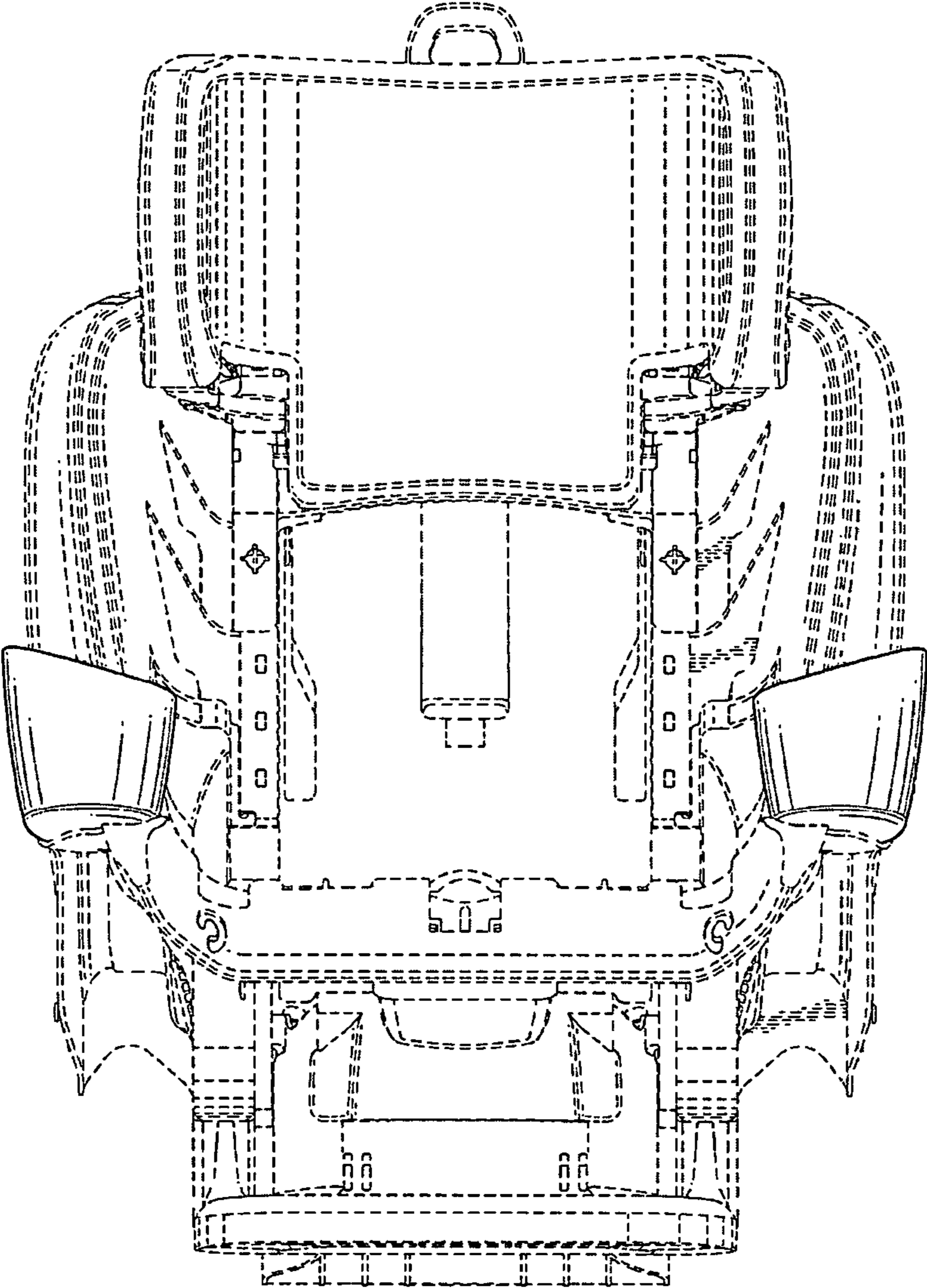


FIG. 2

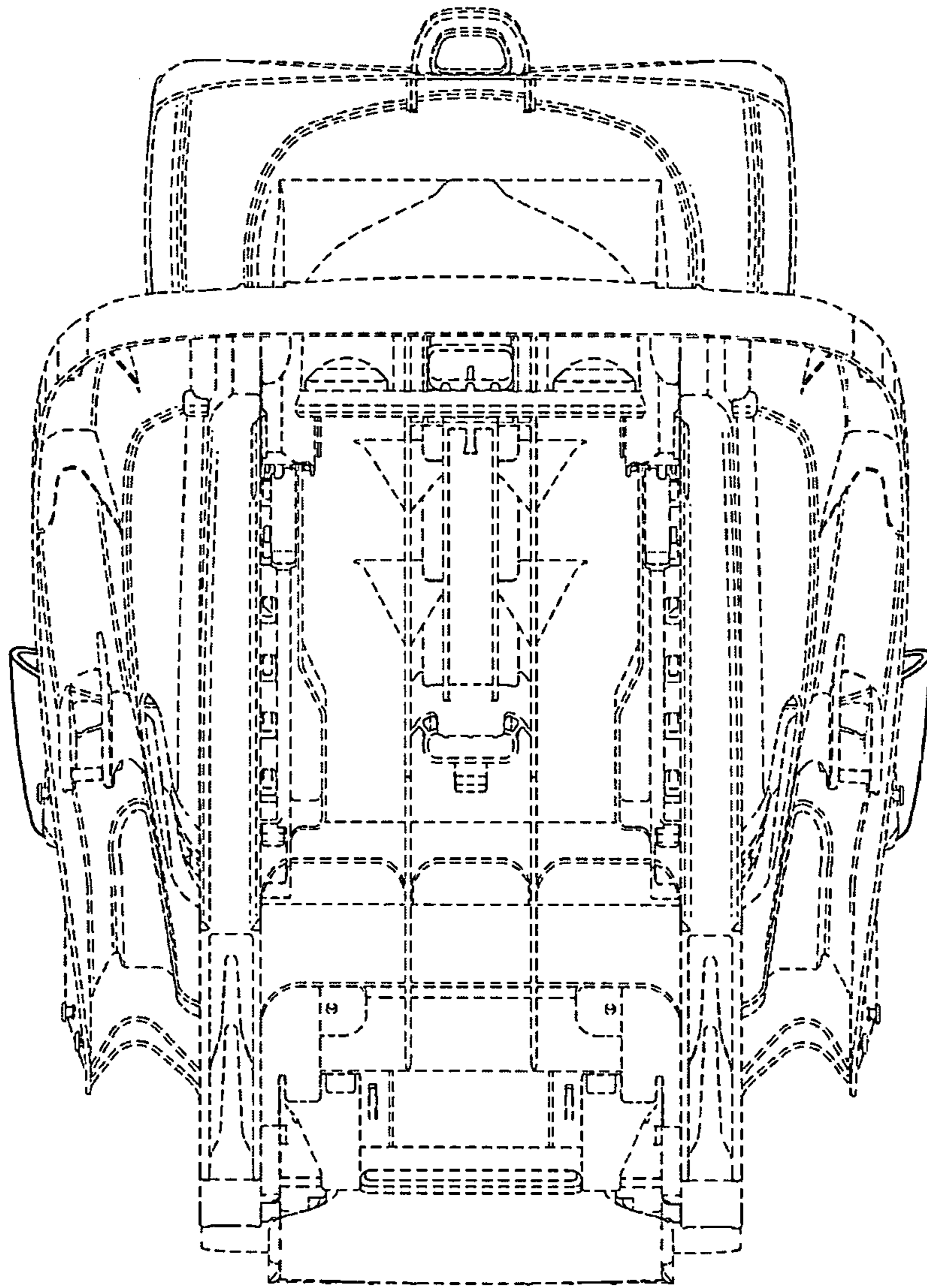


FIG. 3

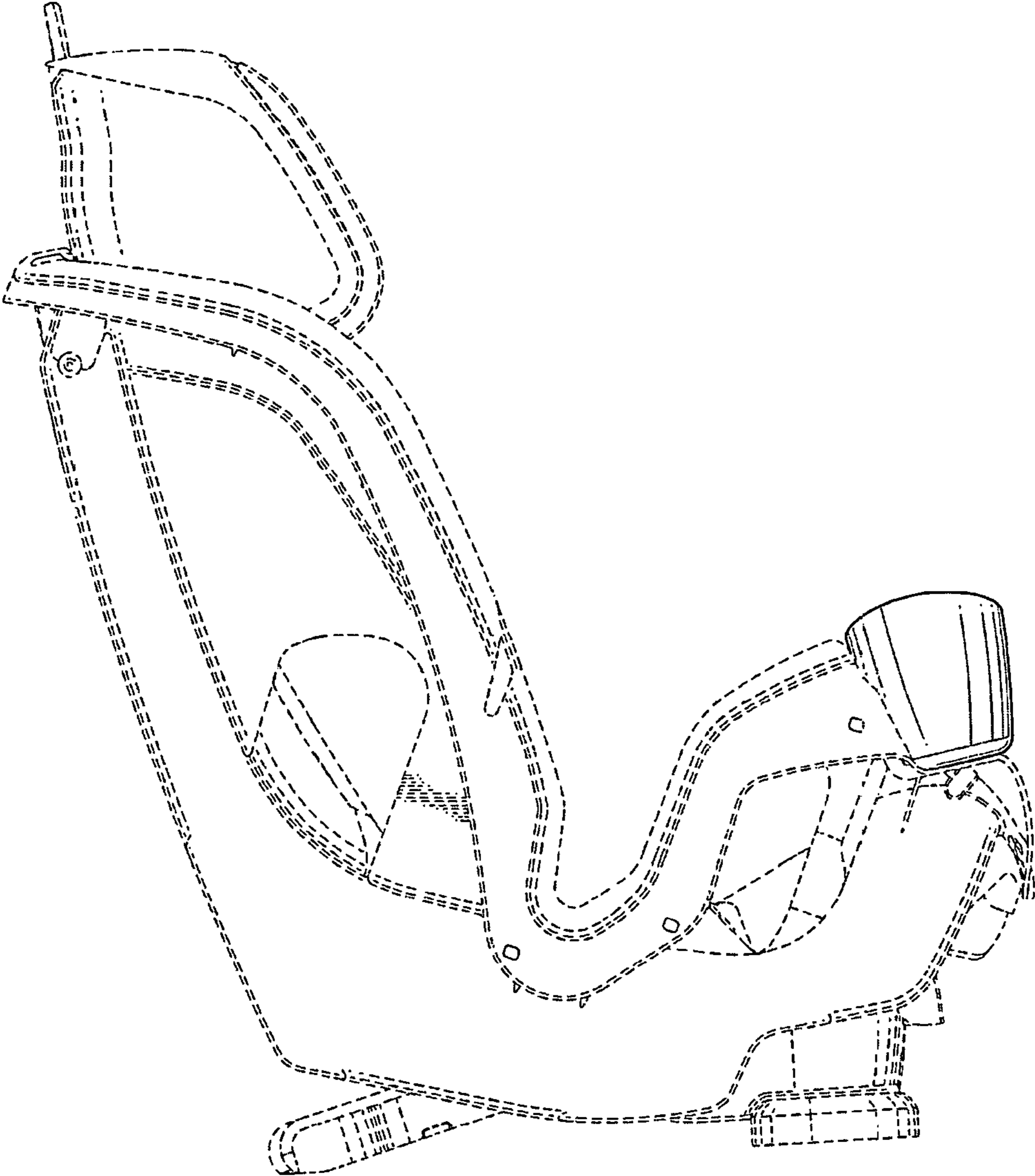


FIG. 4

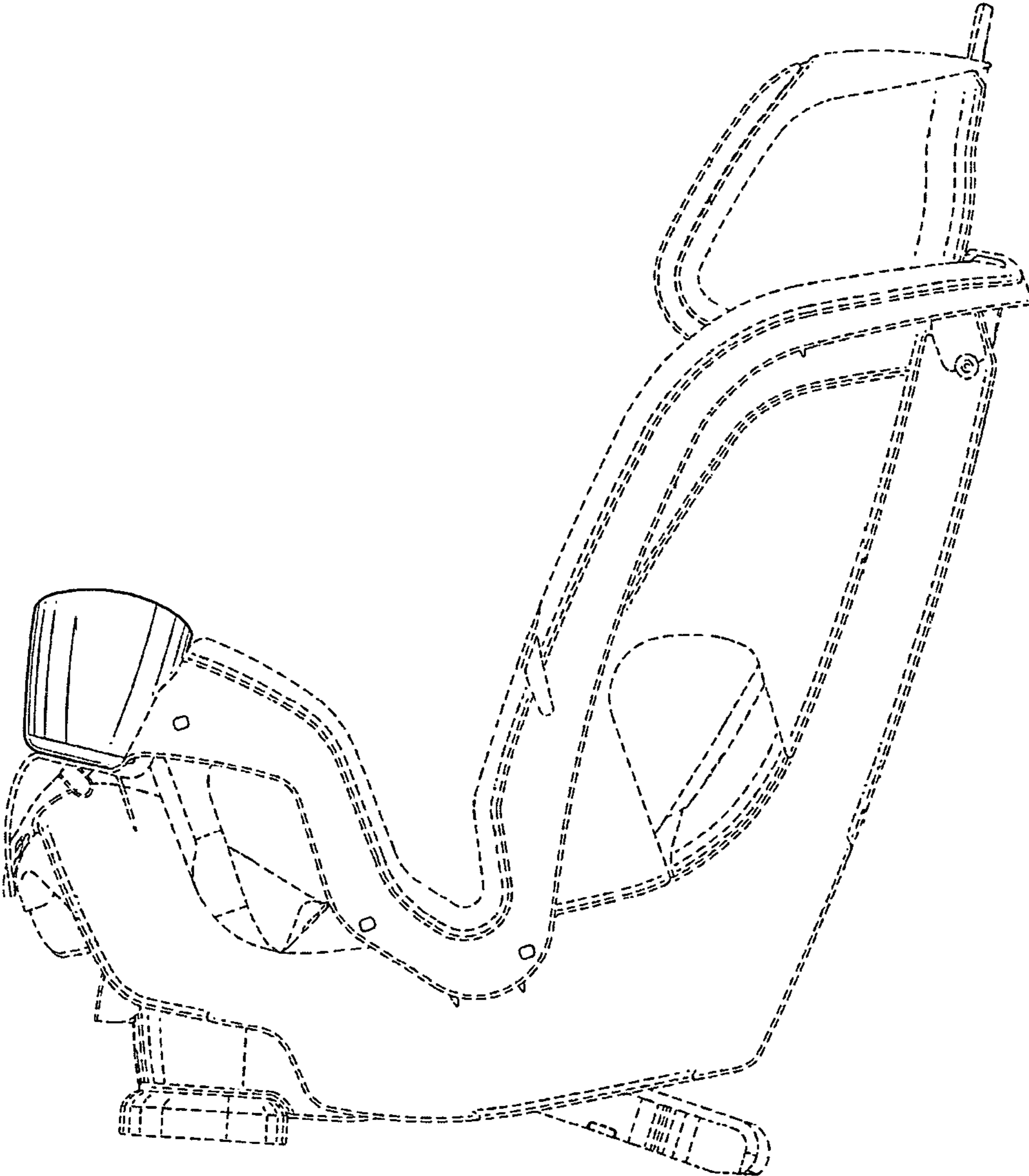


FIG. 5

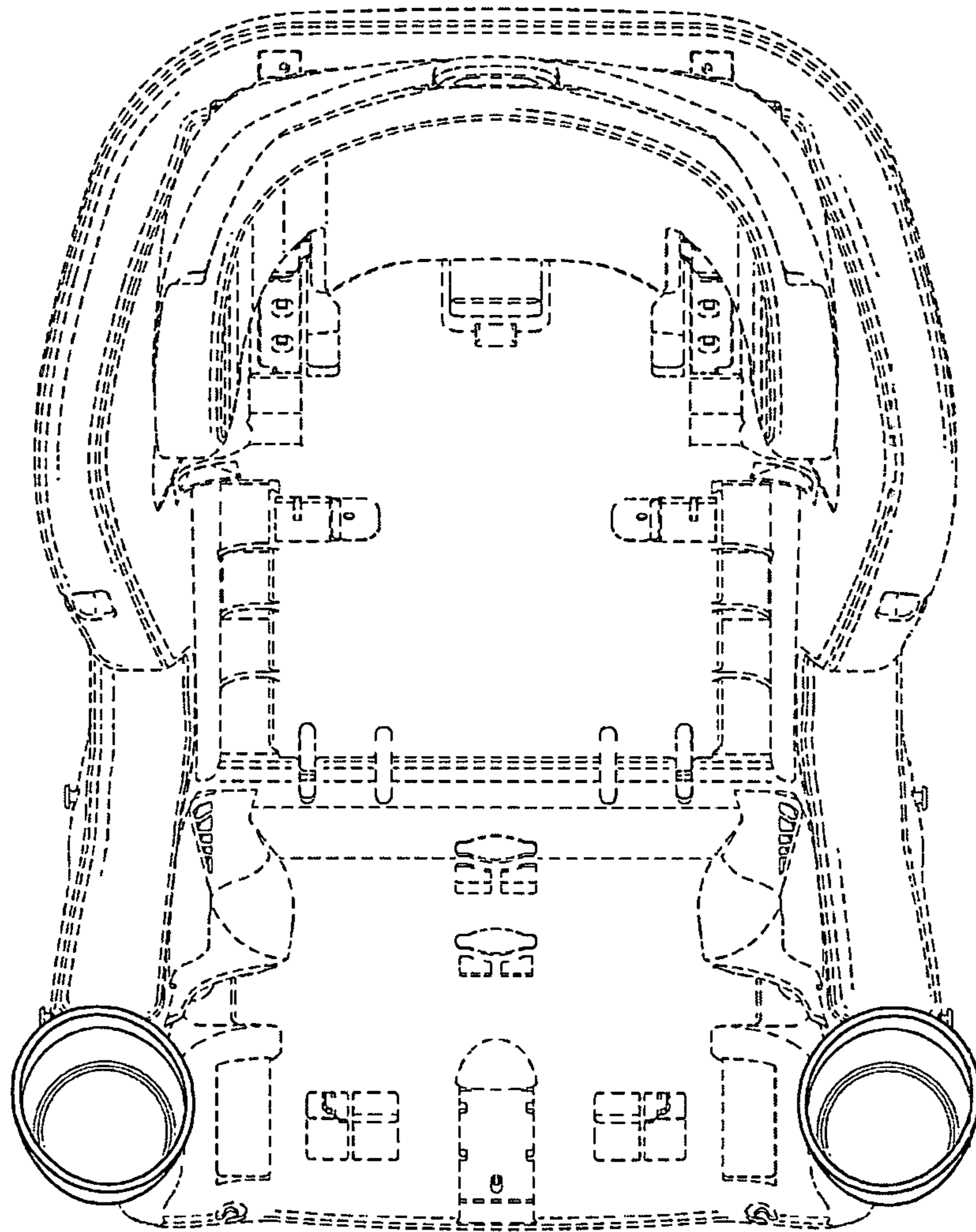


FIG. 6

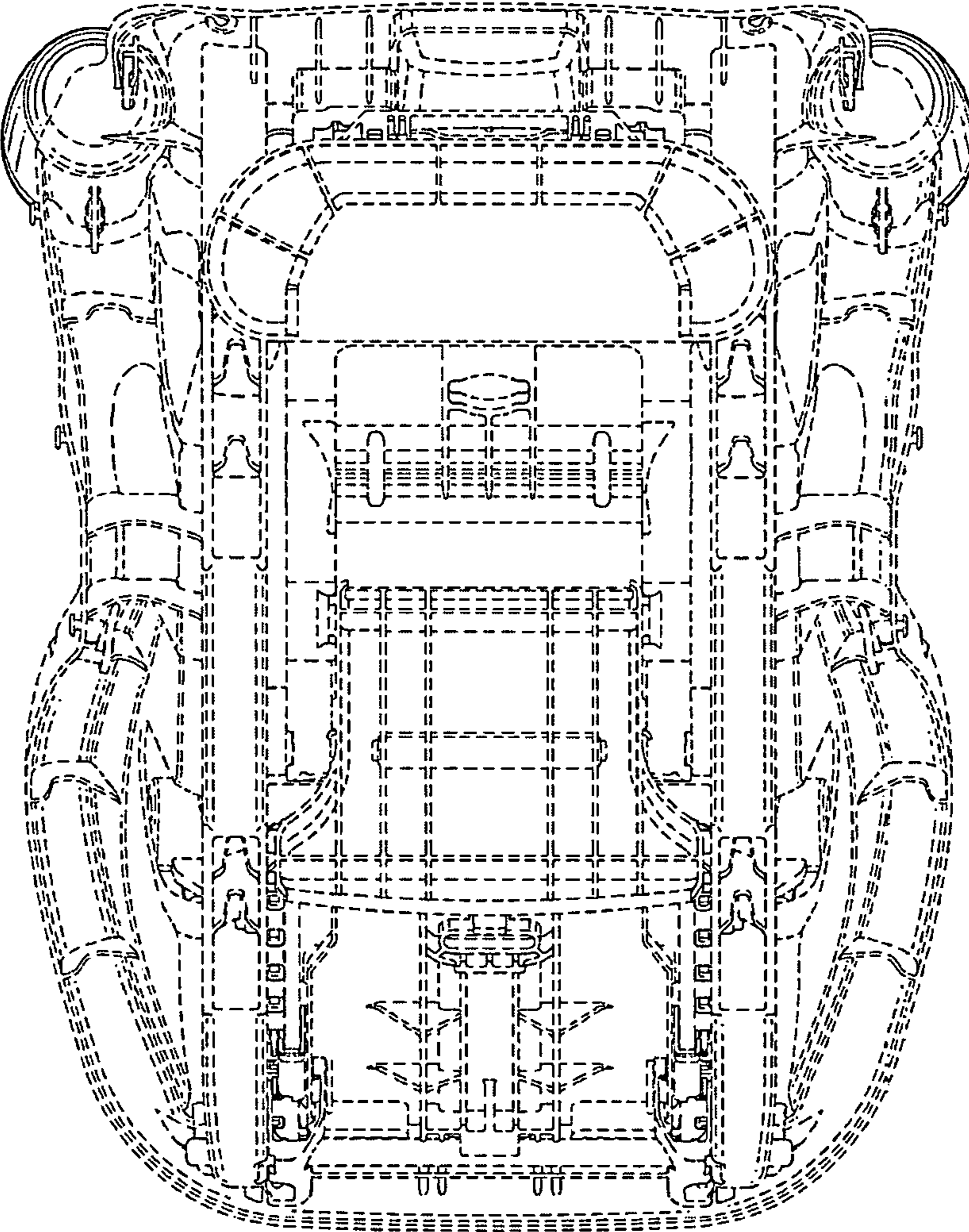


FIG. 7