



US00D963420S

(12) **United States Design Patent** (10) **Patent No.:** **US D963,420 S**  
**Lee** (45) **Date of Patent:** **\*\* Sep. 13, 2022**

(54) **STORAGE CONTAINER**  
(71) Applicant: **Dart Industries Inc.**, Orlando, FL (US)  
(72) Inventor: **Hsiao Fong Lee**, Singapore (SG)  
(73) Assignee: **Dart Industries Inc.**, Orlando, FL (US)  
(\*\*) Term: **15 Years**

(21) Appl. No.: **29/773,504**  
(22) Filed: **Mar. 10, 2021**  
(51) **LOC (13) Cl.** ..... **07-09**  
(52) **U.S. Cl.**  
USPC ..... **D7/602**  
(58) **Field of Classification Search**  
USPC ..... D9/414, 424, 425, 426, 427, 428, 429,  
D9/430, 431, 432, 500, 501, 516, 524,  
D9/543, 545, 559, 575, 602; D3/201,  
D3/273, 276, 283, 284, 302, 304, 314;  
D6/403, 556; D7/538, 539, 540, 541,  
D7/542, 587, 601, 602, 629, 630, 641,  
D7/667, 710; D11/143, 452, 155;  
D32/37, 53; D34/1  
CPC ... B65D 1/00; B65D 1/10; B65D 1/22; B65D  
1/24; B65D 1/26; B65D 1/40; B65D  
11/20; B65D 13/02; B65D 15/00; B65D  
21/02; B65D 21/0222; B65D 21/0233;  
B65D 25/00; B65D 43/162; B65D 55/06;  
B65D 81/3813; B65D 2251/00; Y10S  
220/908  
See application file for complete search history.

(56) **References Cited**  
U.S. PATENT DOCUMENTS  
D601,386 S \* 10/2009 Carlson ..... D7/602  
D602,740 S \* 10/2009 Urquiola ..... D7/602  
D631,298 S \* 1/2011 Samartgis ..... D7/630  
D649,839 S \* 12/2011 Stamper ..... D7/602  
D650,663 S \* 12/2011 Shiffer ..... D9/425  
D655,578 S \* 3/2012 Samartgis ..... D7/630

D666,876 S \* 9/2012 Rusnak ..... D7/602  
D697,763 S \* 1/2014 Carlson ..... D7/602  
D734,991 S \* 7/2015 Carlson ..... D7/602  
D765,503 S \* 9/2016 Shiffer ..... D9/428  
D772,058 S \* 11/2016 Urushidani ..... D7/602  
D787,275 S \* 5/2017 Carlson ..... D7/602  
D886,577 S \* 6/2020 De Geyter ..... B65D 13/02  
D9/423

(Continued)

**OTHER PUBLICATIONS**

Basic Clear Storage Box, posted at Amazon.co.uk on Oct. 17, 2014, [site visited Jun. 17, 2022]. Available from internet, URL: <https://www.amazon.co.uk/Sterilite-Quart-Basic-Clear-Storage/dp/B00M0I1QP8/> (Year: 2014).\*

*Primary Examiner* — Andrew Kerr  
*Assistant Examiner* — Chariton Alexakis  
(74) *Attorney, Agent, or Firm* — Taylor J. Ross

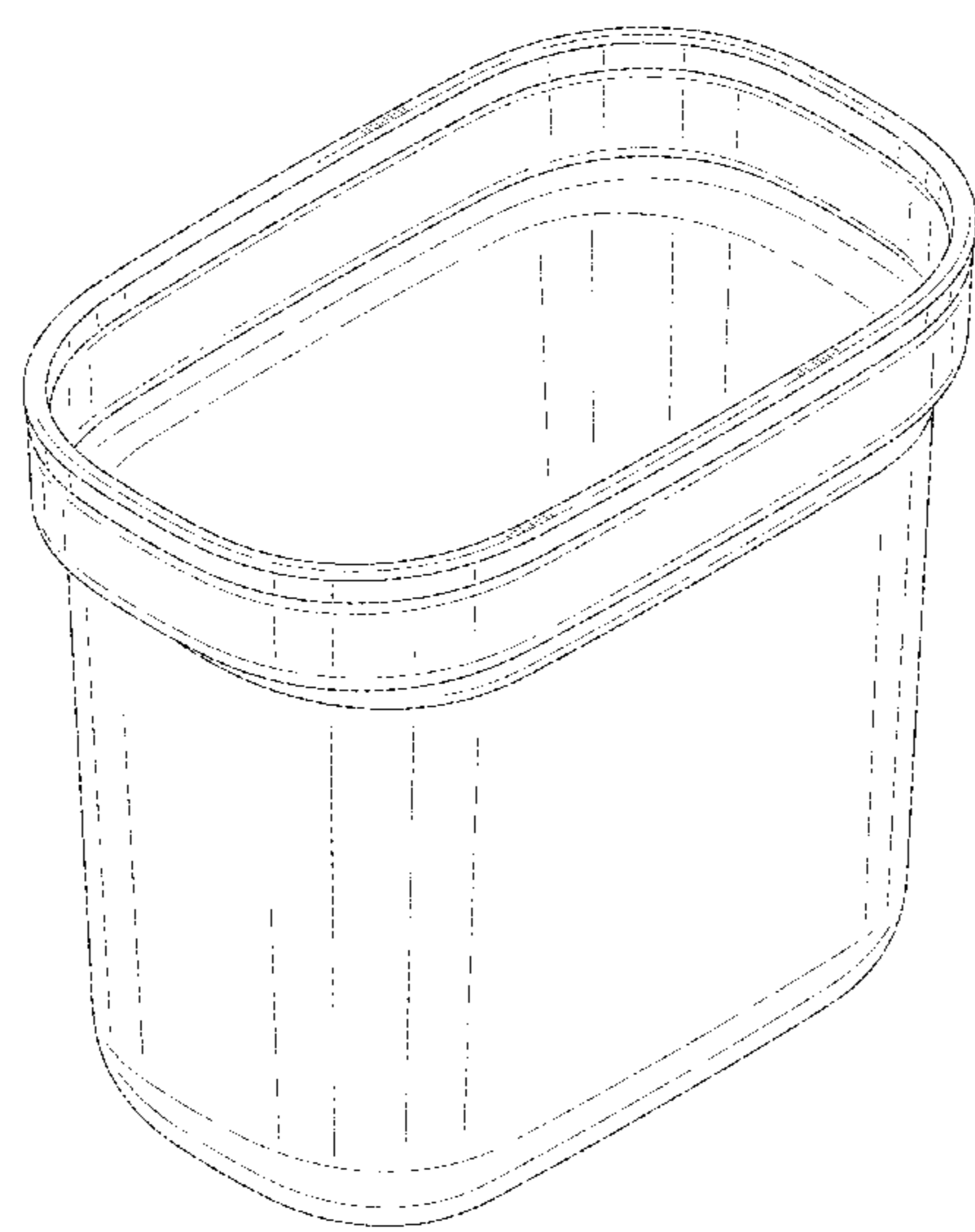
(57) **CLAIM**

The ornamental design for a storage container, as shown and described.

**DESCRIPTION**

FIG. 1 is a top, front and right side isometric view of a storage container showing my new design;  
FIG. 2 is a bottom, rear and right side isometric view thereof;  
FIG. 3 is a top plan view thereof;  
FIG. 4 is a bottom plan view thereof;  
FIG. 5 is a right side elevation view, the left side elevation being identical thereto;  
FIG. 6 is a front elevation view, the rear elevation being identical thereto;  
FIG. 7 is a cross-sectional view taken along line 7-7 of FIG. 3; and,  
FIG. 8 is a cross-sectional view taken along line 8-8 of FIG. 3.

**1 Claim, 8 Drawing Sheets**



(56)

**References Cited**

U.S. PATENT DOCUMENTS

D909,142 S \* 2/2021 Hartley ..... B65D 21/0222  
D7/602  
2013/0186897 A1\* 7/2013 Luburic ..... B65D 21/0222  
206/508  
2015/0232242 A1\* 8/2015 Carlson ..... B65D 13/02  
220/376  
2018/0057226 A1\* 3/2018 Austin ..... B65D 55/06  
2019/0202607 A1\* 7/2019 Lee ..... B65D 1/10

\* cited by examiner

FIG. 1

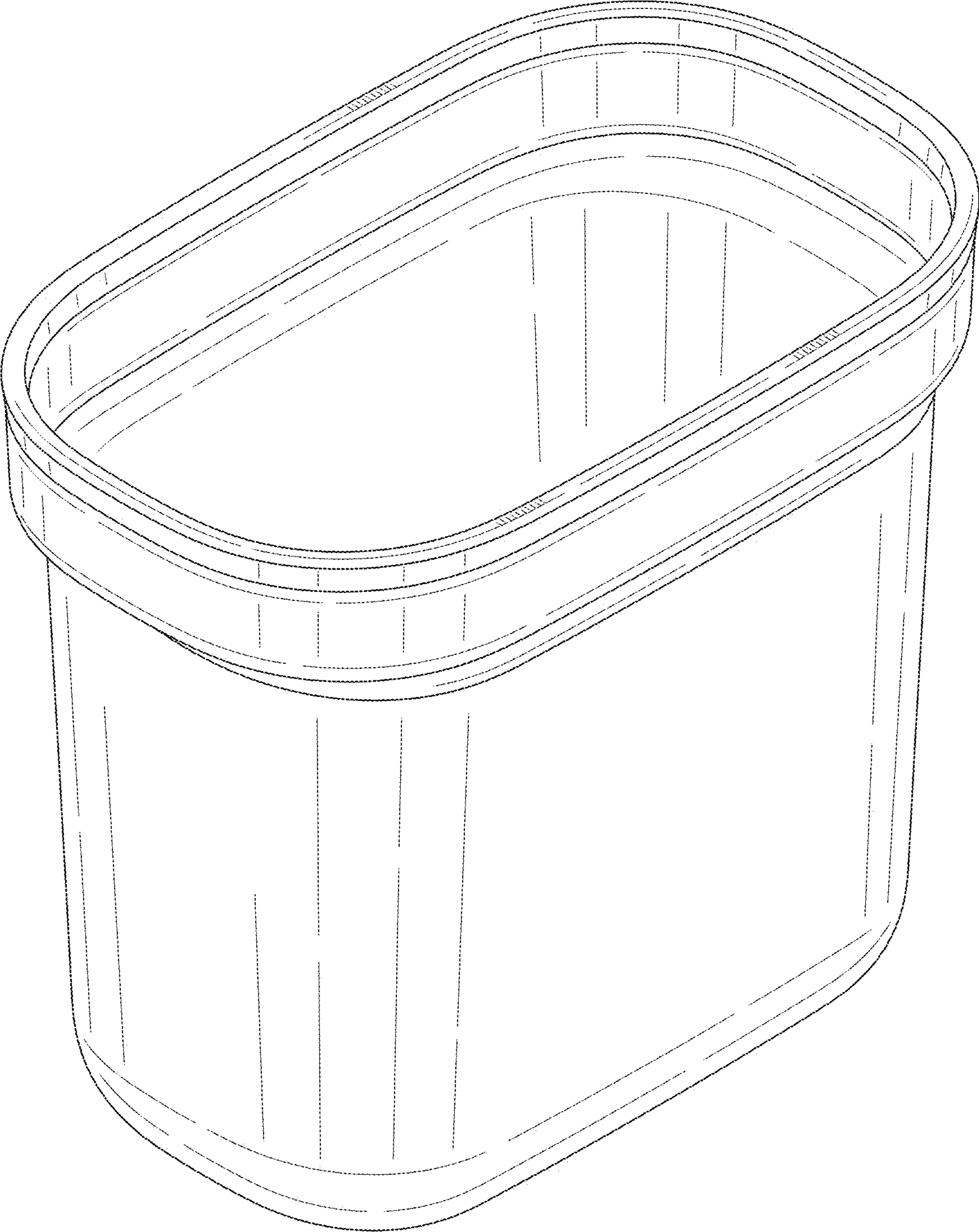


FIG. 2

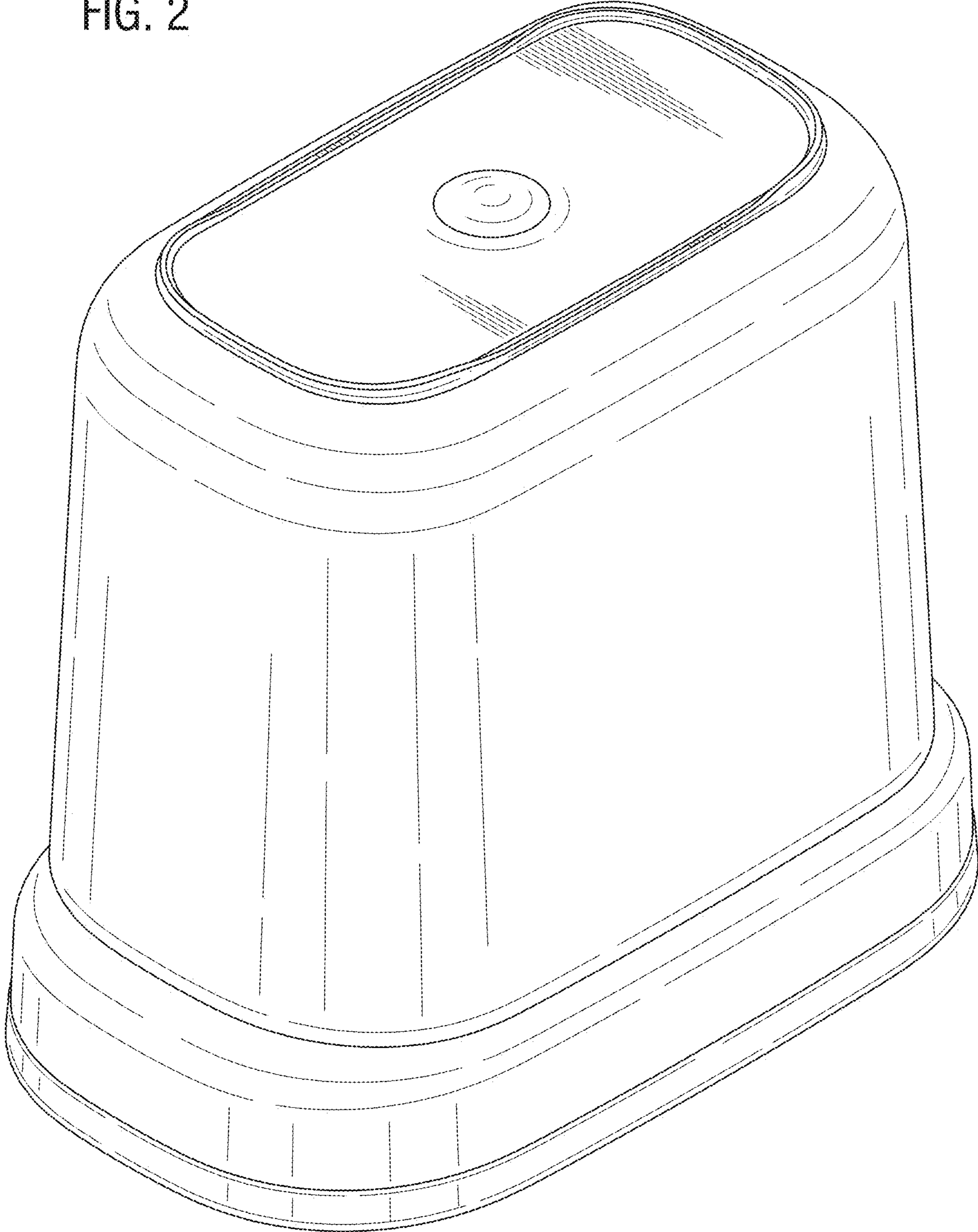


FIG. 3

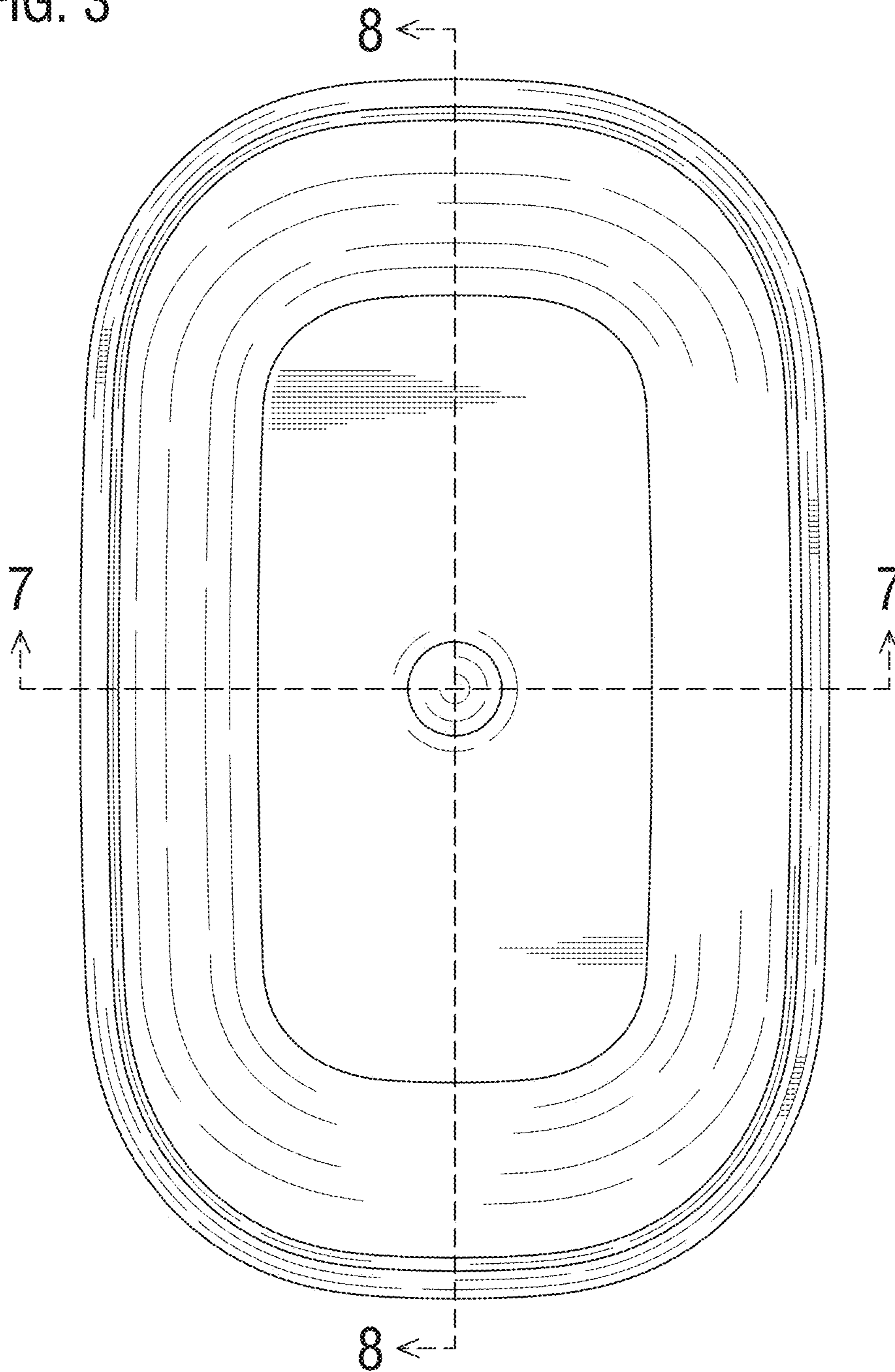


FIG. 4

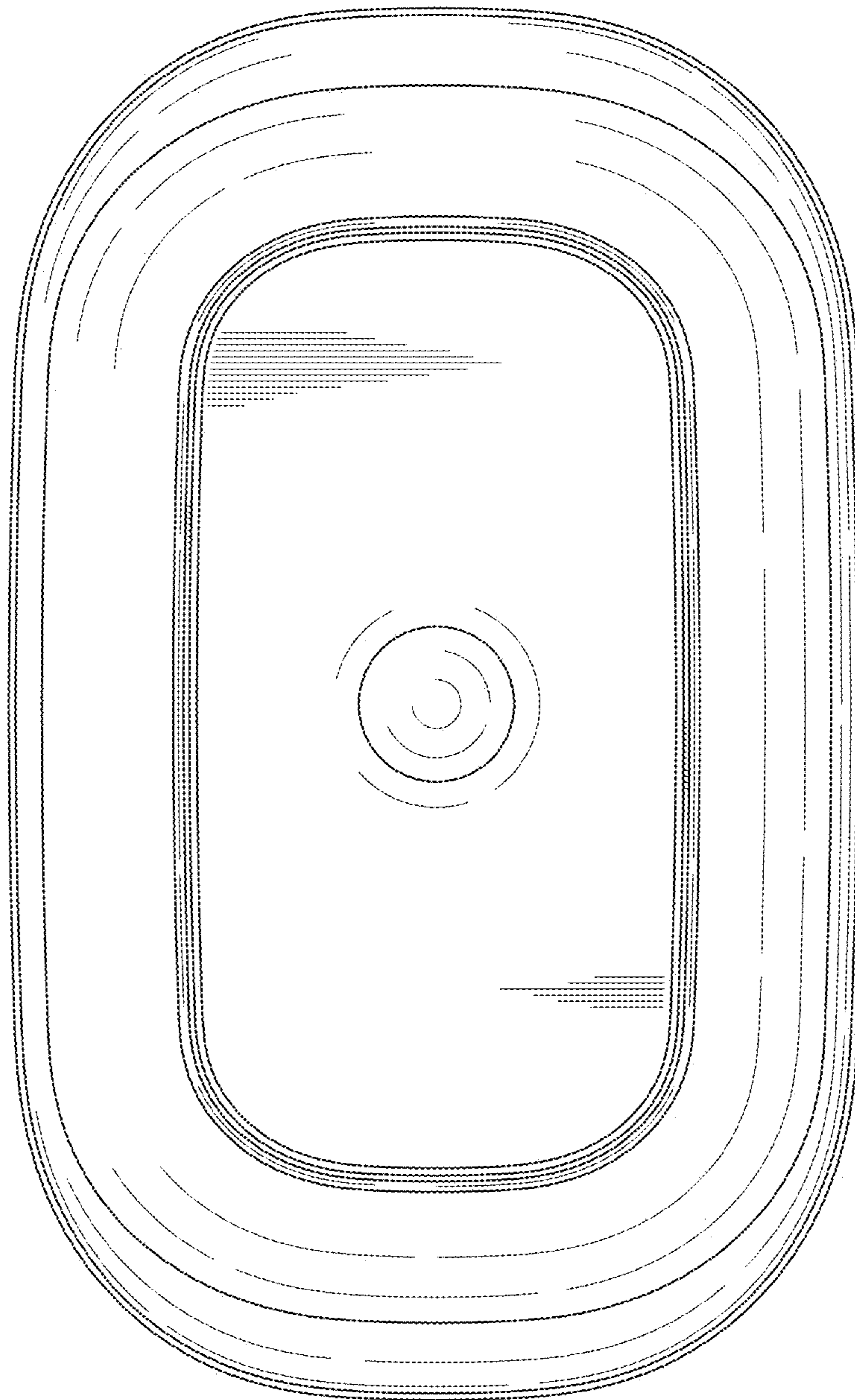


FIG. 5

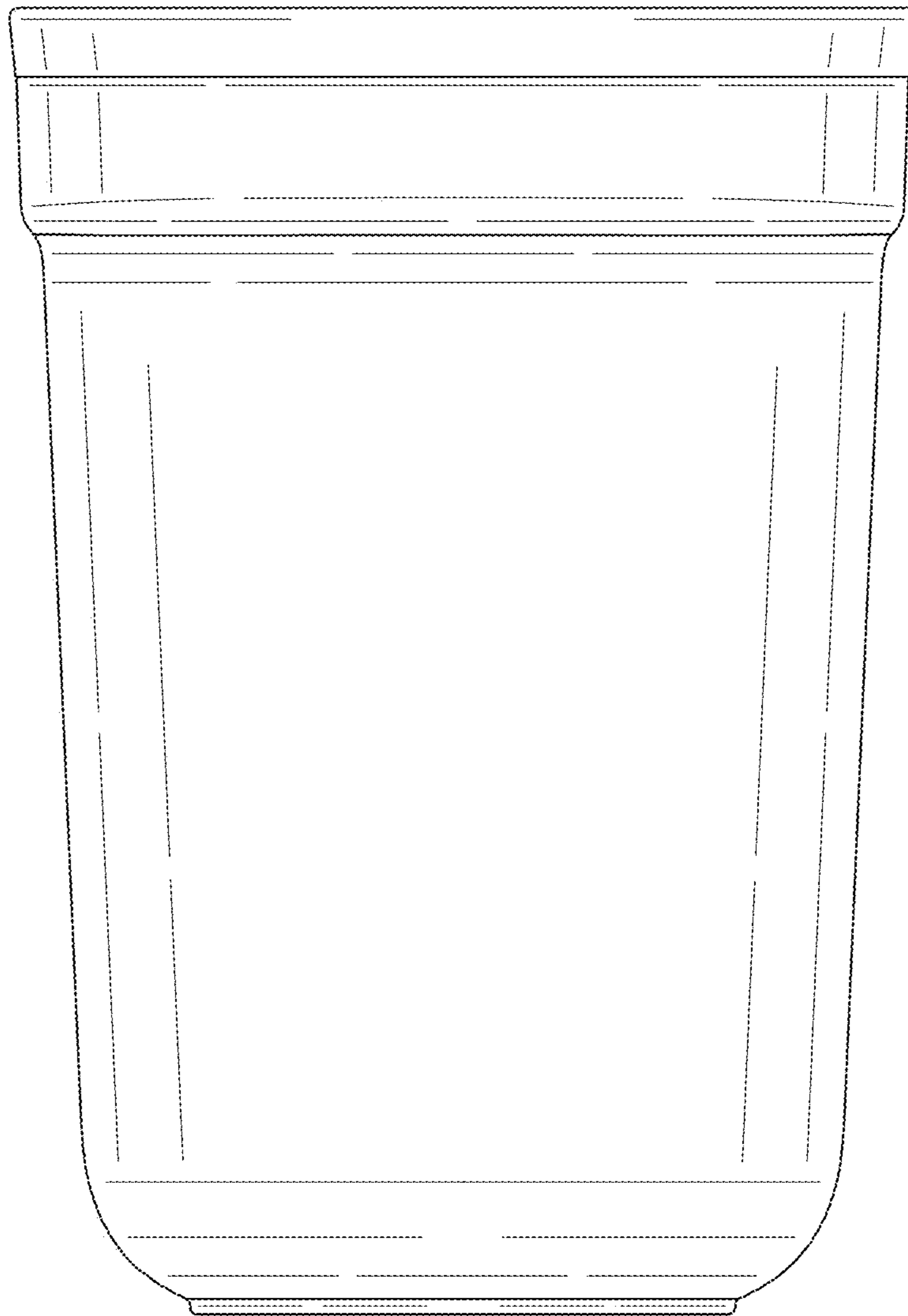


FIG. 6

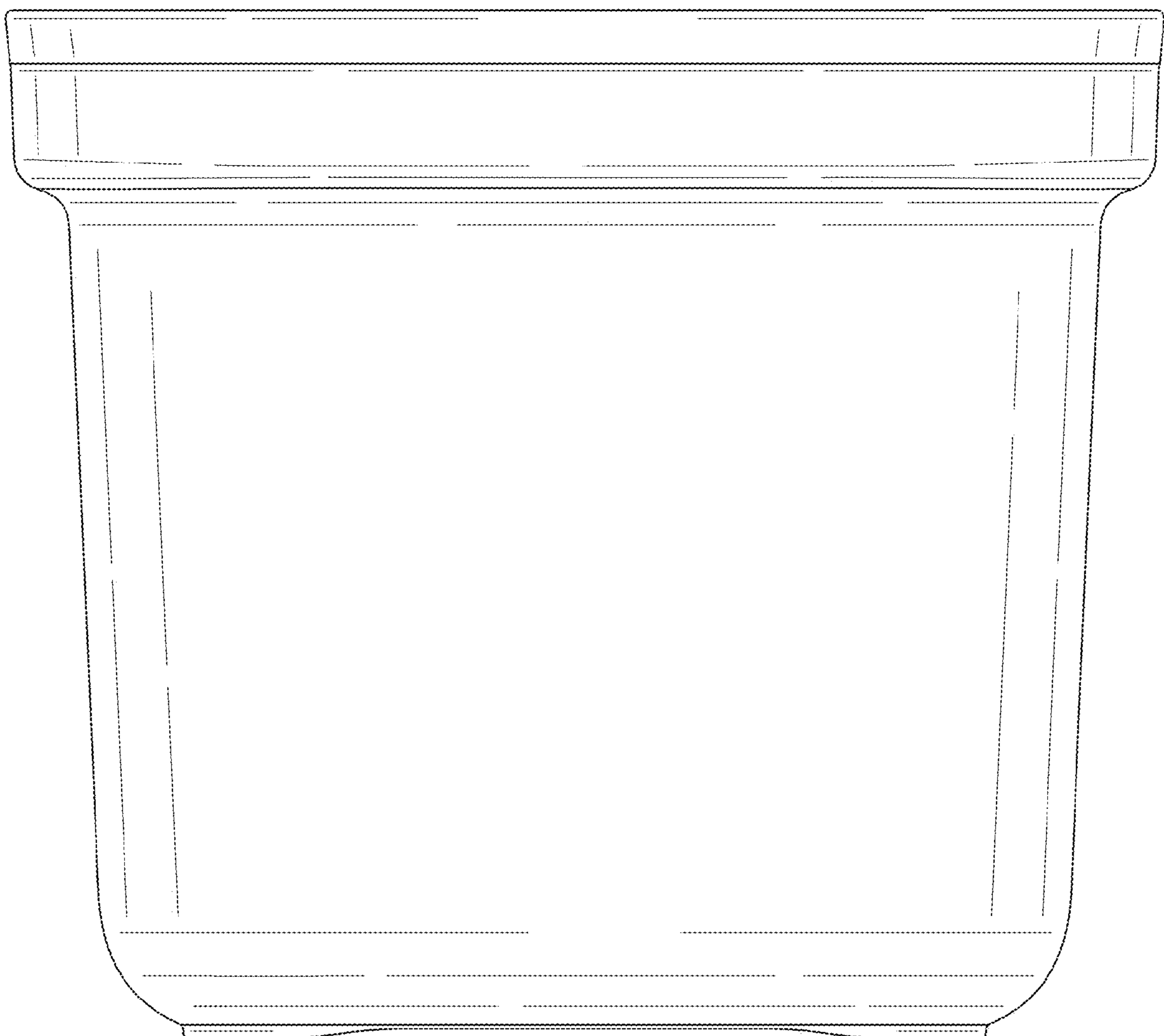




FIG. 7

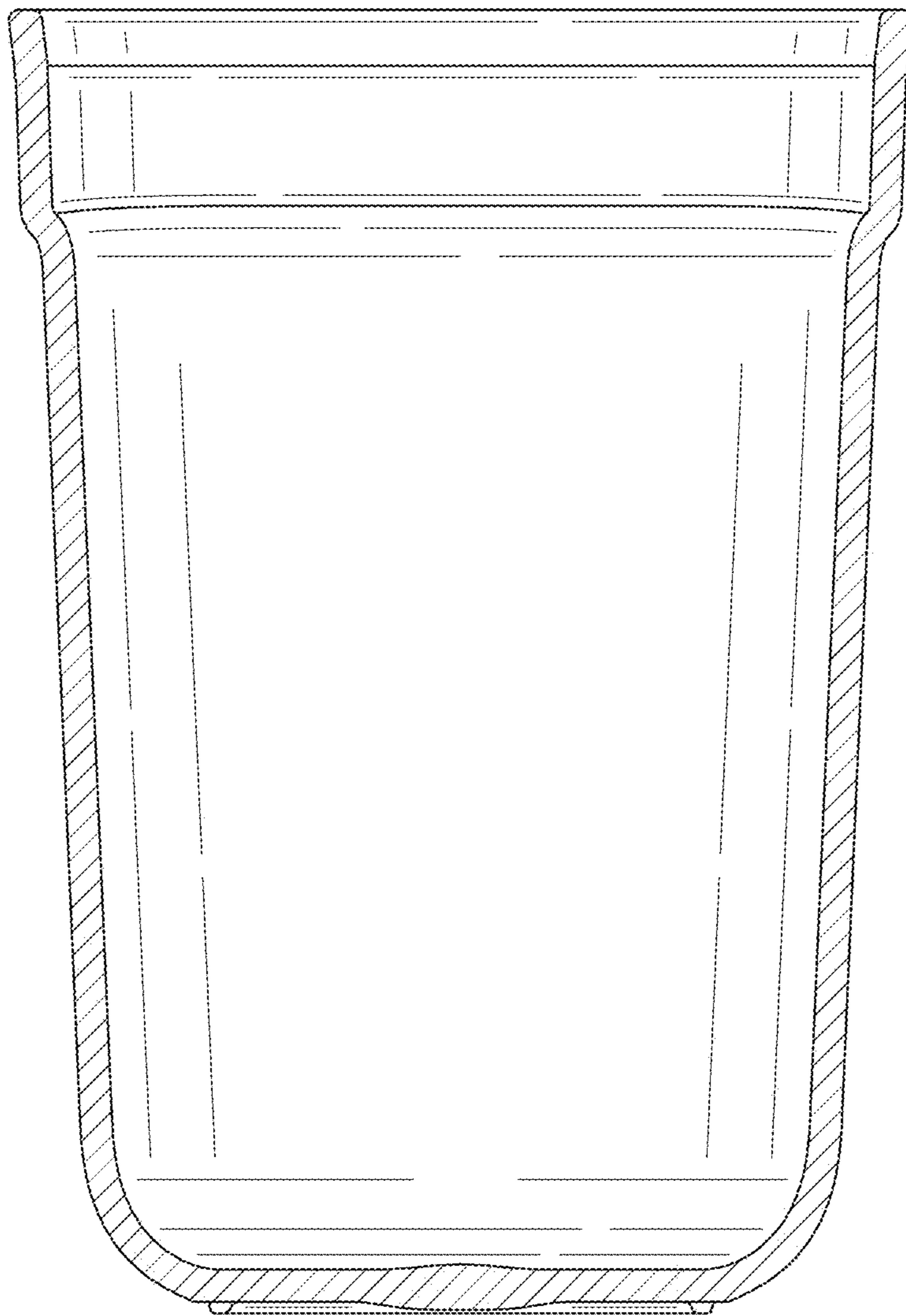


FIG. 8

