



US00D963418S

(12) **United States Design Patent** (10) **Patent No.:** **US D963,418 S**  
**Zemel et al.** (45) **Date of Patent:** **\*\* Sep. 13, 2022**

(54) **CADDY**  
(71) Applicant: **Mr. Bar-B-Q Products LLC**, Melville, NY (US)  
(72) Inventors: **Marc Zemel**, Melville, NY (US); **Joanne Rudis**, Melville, NY (US)  
(73) Assignee: **MR. BAR-B-Q PRODUCTS LLC**, Hauppauge, NY (US)

5,988,050 A 11/1999 Foster, Jr.  
D417,956 S 12/1999 Story  
D418,296 S 1/2000 Kobayashi  
D525,789 S 8/2006 Hosking  
D527,522 S 9/2006 Kammerer  
D528,376 S 9/2006 Munson et al.  
D531,802 S 11/2006 Zimmerman

(Continued)

(\*\*) Term: **15 Years**  
(21) Appl. No.: **29/770,436**  
(22) Filed: **Feb. 12, 2021**

(51) **LOC (13) Cl.** ..... **07-01**  
(52) **U.S. Cl.**  
USPC ..... **D7/541**; D7/629  
(58) **Field of Classification Search**  
USPC ..... D7/387, 504, 538, 540-543, 545-549, D7/553.1-553.3, 554.3-555, 601-604, D7/619.1-623, 628-631, 701-708.1, 709; D3/202, 304, 306, 315, 316; D9/414, D9/432, 455, 624, 643, 702, 703, 707, D9/709, 738, 739, 742, 743, 745, 747, D9/761  
CPC ..... A45C 11/20; A47G 21/16; A47J 47/14; A47J 47/16; B65D 1/36; B65D 25/06; B65D 43/02; B65D 43/0208; B65D 81/3453; B65D 2543/00194; B65D 2543/00296; B65D 2543/00685; B65D 2543/00796; B65D 2585/366  
See application file for complete search history.

(56) **References Cited**  
U.S. PATENT DOCUMENTS

D249,590 S 9/1978 Berkman  
D330,329 S 10/1992 Brightbill  
5,300,748 A 4/1994 Colombo  
D391,762 S 3/1998 Ahern, Jr.

**OTHER PUBLICATIONS**

Large Wood Storage Tray w\_Sliding Lid, Wald Imports, [online], [site visited Jun. 25, 2022], Available from internet URL: <https://www.waldimports.com/products/large-wood-storage-tray-w-sliding-lid> (Year: 2022).\*

(Continued)

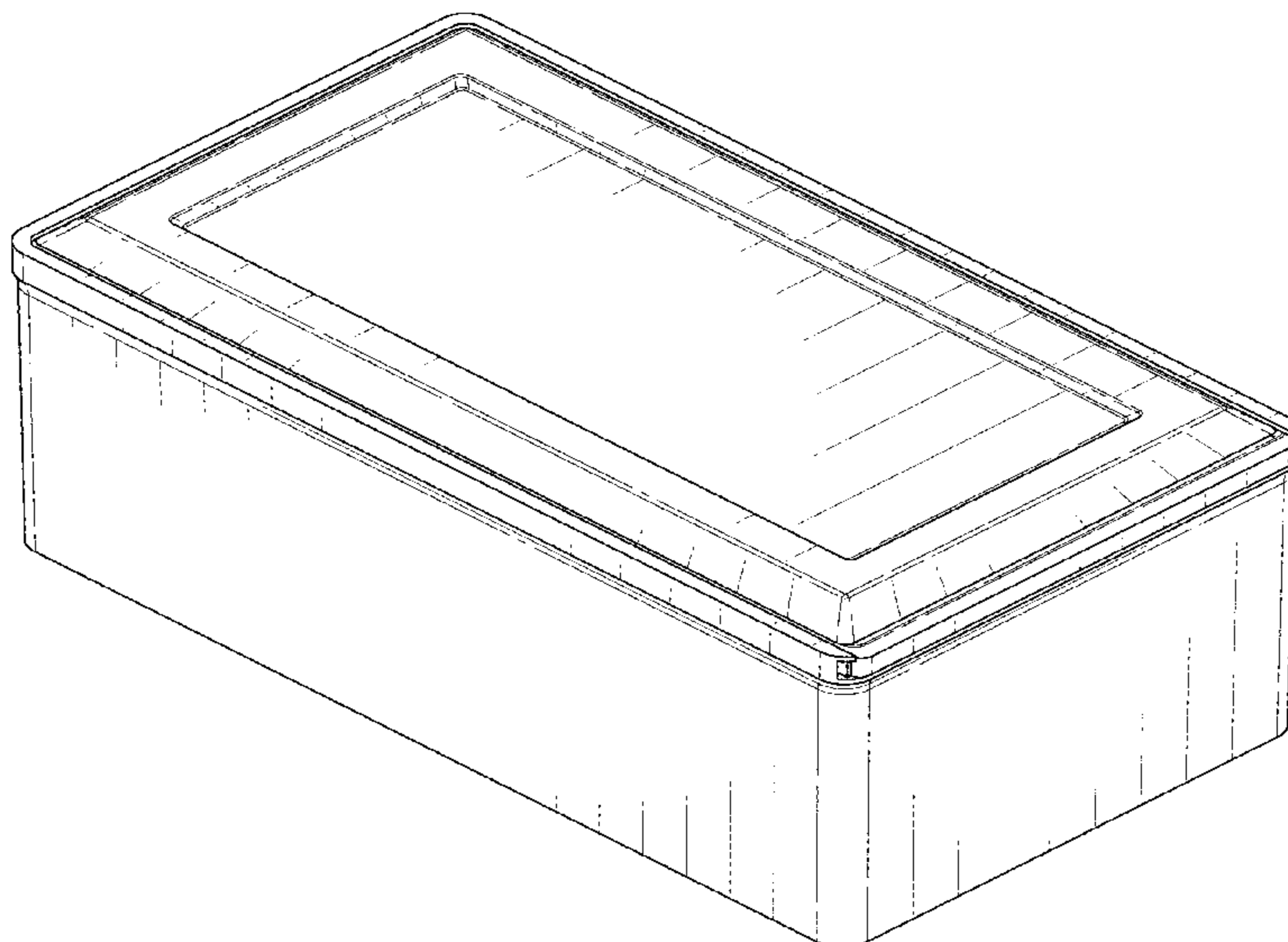
*Primary Examiner* — Mary Ann Calabrese  
*Assistant Examiner* — Natalya M Rapundalo  
(74) *Attorney, Agent, or Firm* — Carter, DeLuca & Farrell LLP

(57) **CLAIM**  
The ornamental design for a caddy, as shown and described.

**DESCRIPTION**

FIG. 1 is a top perspective view of a caddy in accordance with our new design;  
FIG. 2 is a right side elevational view thereof;  
FIG. 3 is a left side elevational view thereof;  
FIG. 4 is a front elevational view thereof;  
FIG. 5 is a rear elevational view thereof;  
FIG. 6 is a top plan view thereof;  
FIG. 7 is a bottom plan view thereof;  
FIG. 8 is a perspective view showing the caddy cover partially removed; and,  
FIG. 9 is a perspective view showing the caddy cover completely removed from its base.  
The broken lines in the drawings represent portions of the caddy and form no part of the claimed design.

**1 Claim, 7 Drawing Sheets**



(56)

References Cited

U.S. PATENT DOCUMENTS

D543,412 S 5/2007 Munson  
 D568,102 S 5/2008 Ruiz de Azua  
 D569,169 S 5/2008 Munson  
 D584,112 S 1/2009 Ehrenhaus et al.  
 D586,623 S \* 2/2009 Dunn ..... D7/541  
 D615,825 S 5/2010 Curtin  
 D641,217 S 7/2011 Chen et al.  
 D653,917 S 2/2012 Ehrenhaus  
 D656,789 S \* 4/2012 Locke ..... D7/541  
 D657,203 S 4/2012 Pallotto  
 D660,092 S 5/2012 Kyung  
 D660,095 S 5/2012 Kyung  
 D681,333 S \* 5/2013 Crapser ..... D3/304  
 D682,609 S 5/2013 Lindsay et al.  
 D691,425 S 10/2013 Zemel  
 8,794,440 B2 8/2014 BeVier  
 D718,934 S 12/2014 Lin  
 D741,597 S 10/2015 Minneman  
 D783,281 S 4/2017 Hamernik  
 D785,940 S 5/2017 Reed

D804,177 S 12/2017 Zemel  
 D817,112 S \* 5/2018 Jarvis ..... D7/629  
 D841,983 S \* 3/2019 Wang ..... D3/295  
 D894,728 S \* 9/2020 Dwork ..... B65D 55/14  
 D901,254 S \* 11/2020 Beavis ..... D3/302  
 D903,443 S \* 12/2020 Gispert ..... D7/703  
 2005/0035125 A1 2/2005 Bae  
 2019/0352939 A1\* 11/2019 Moore ..... B65D 55/14

OTHER PUBLICATIONS

Parini BBQ Barbeque Multi-purpose Two-tier Prep and Serve Tray, Amazon [online], [site visited Jun. 27, 2022], Available from internet URL: <https://www.amazon.com/Parini-Barbeque-Multi-purpose-Two-tier-Serve/dp/B01MSBC5R0> (Year: 2022).  
 Charcoal Companion's Grill Station, found at <http://www.worldmarket.com/product/4-piece-grill-station.do?from=Search&cx=0>; also at, [http://ii.worldmarket.com/fcgi-bin/iipsrv.fcgi?FIF=/images/worldmarket/source/9599\\_XXX\\_v2.tif&wid=2000&cvt=jpeg](http://ii.worldmarket.com/fcgi-bin/iipsrv.fcgi?FIF=/images/worldmarket/source/9599_XXX_v2.tif&wid=2000&cvt=jpeg) dated May 28, 2013.

\* cited by examiner

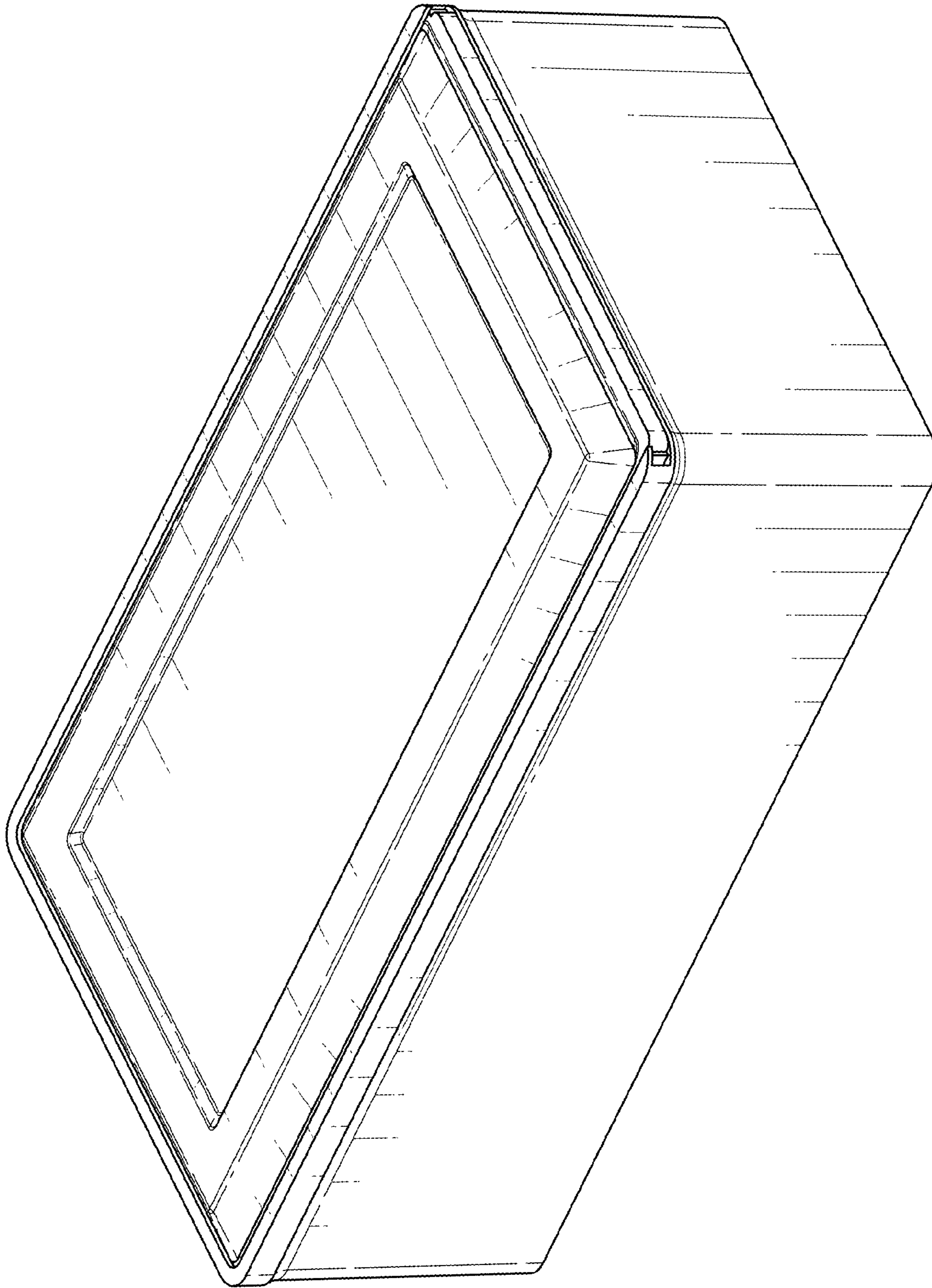


FIG. 1

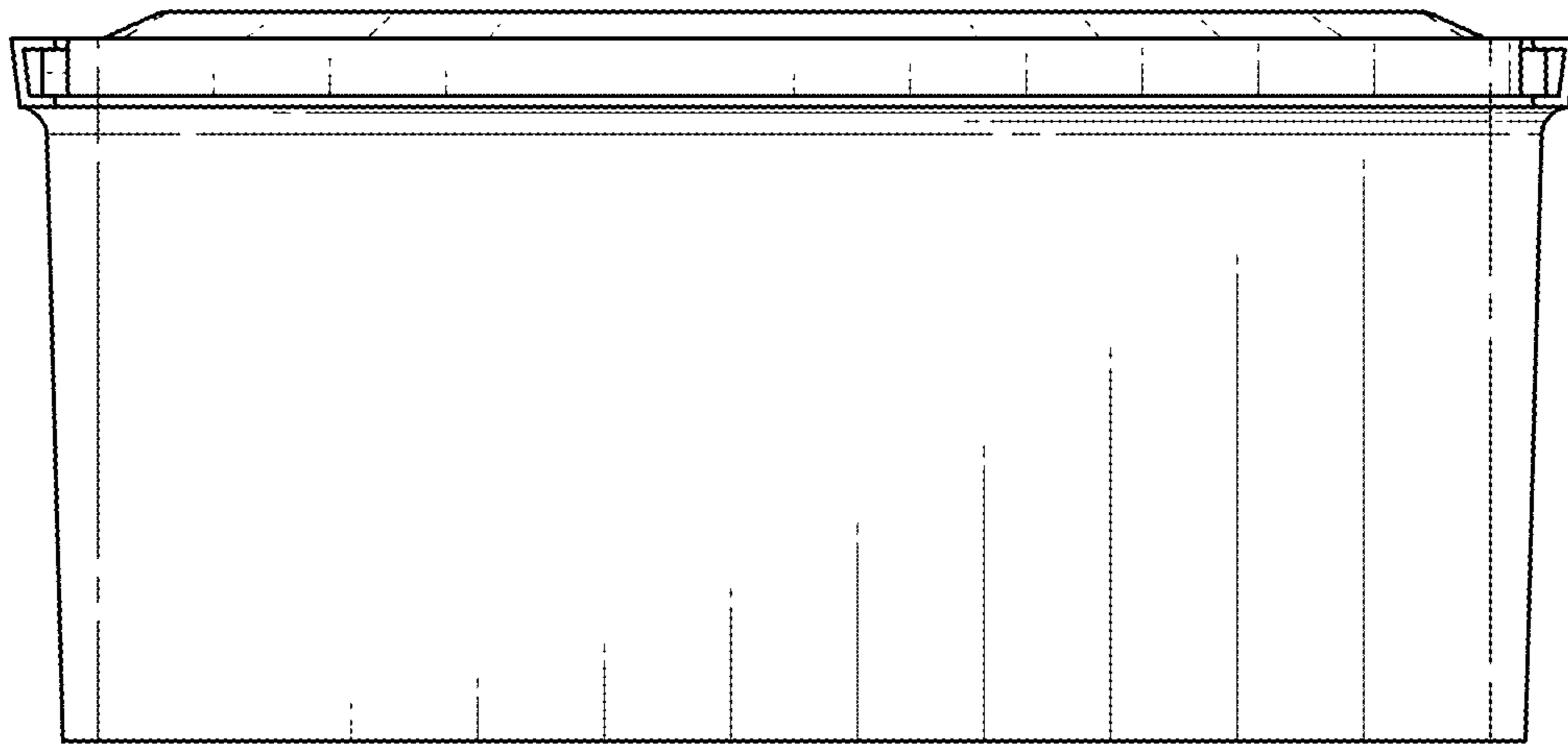


FIG. 2

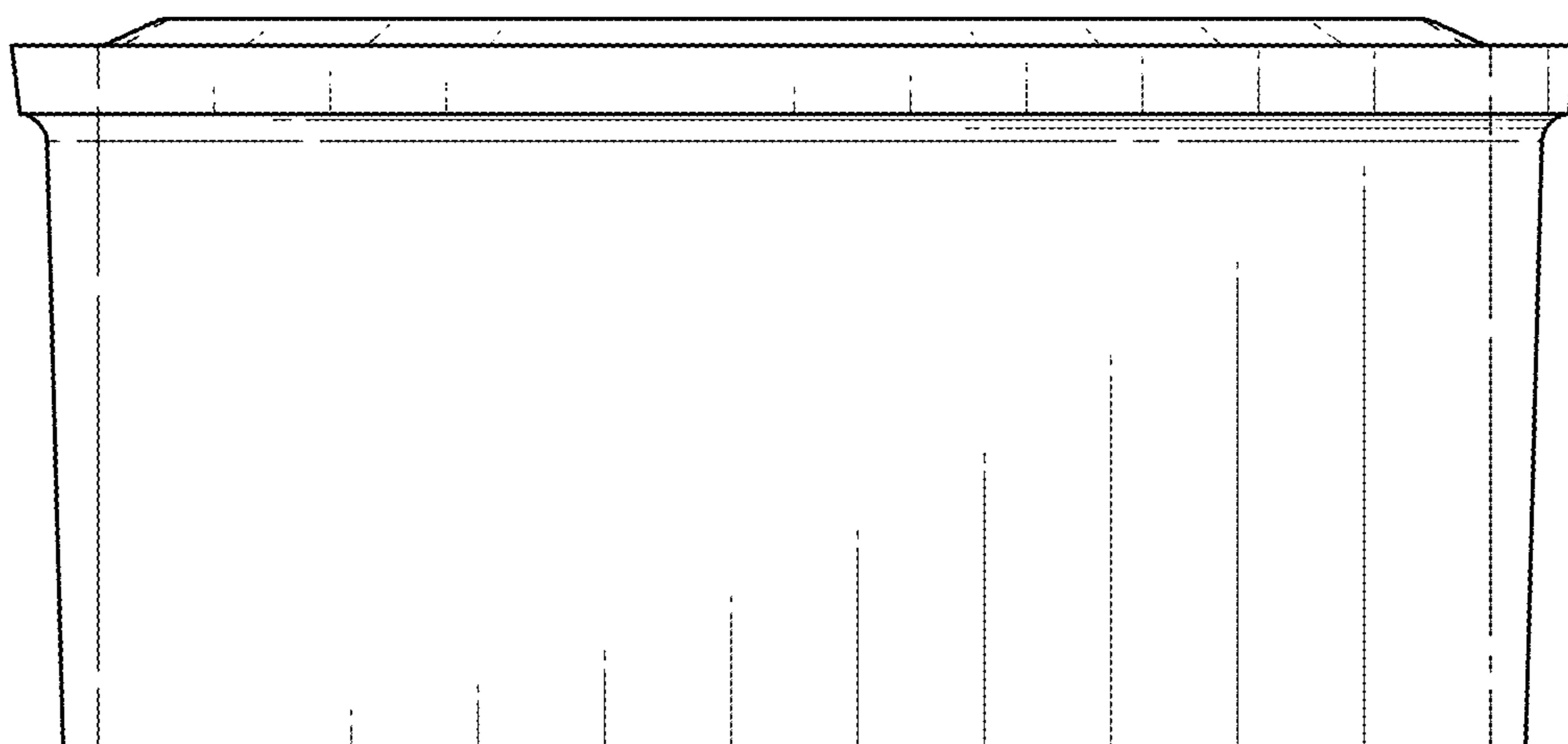


FIG. 3

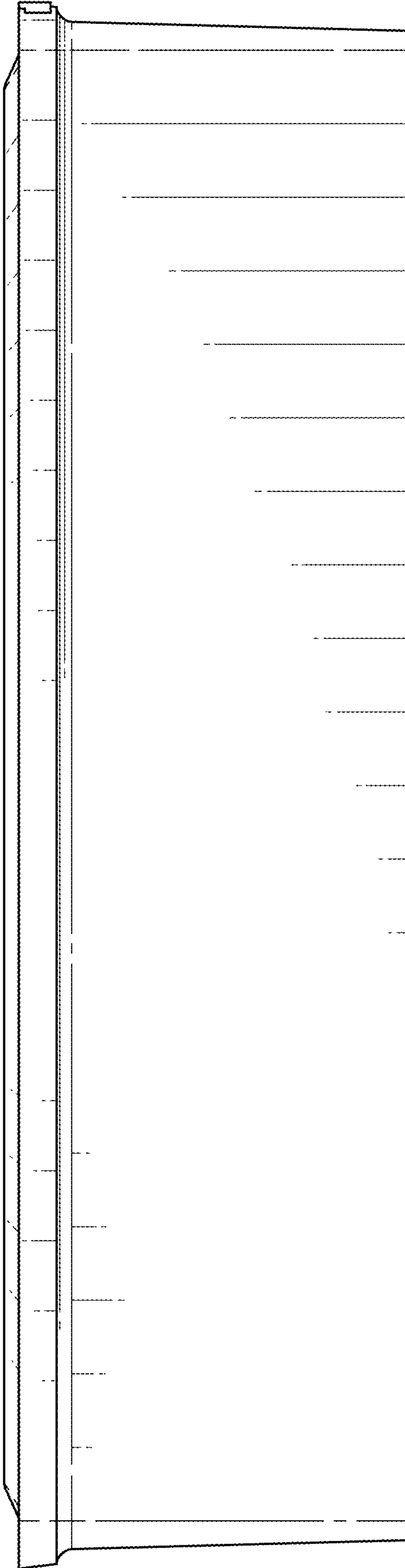


FIG. 4

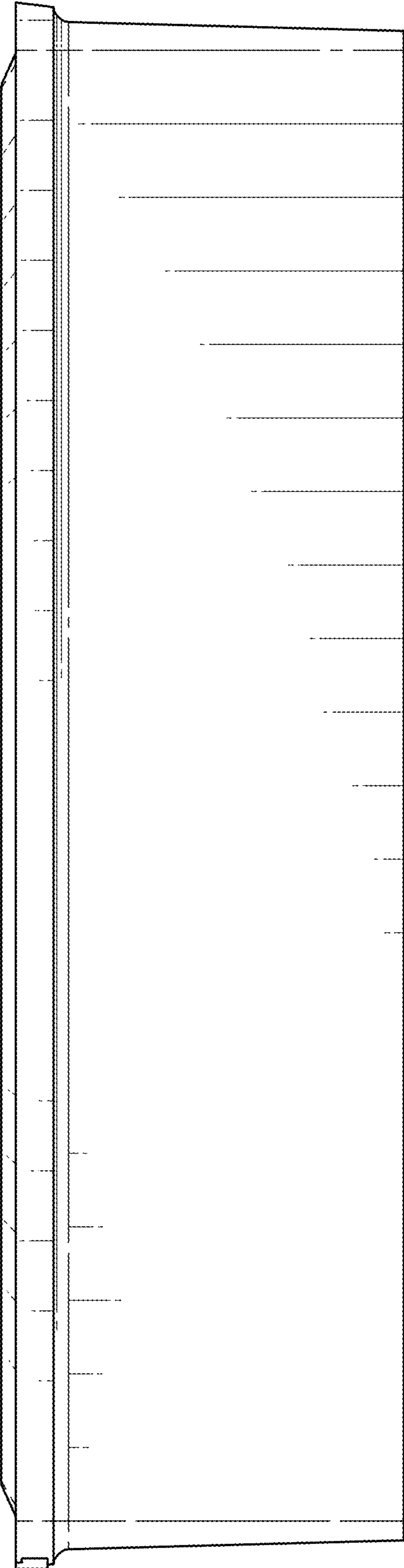


FIG. 5

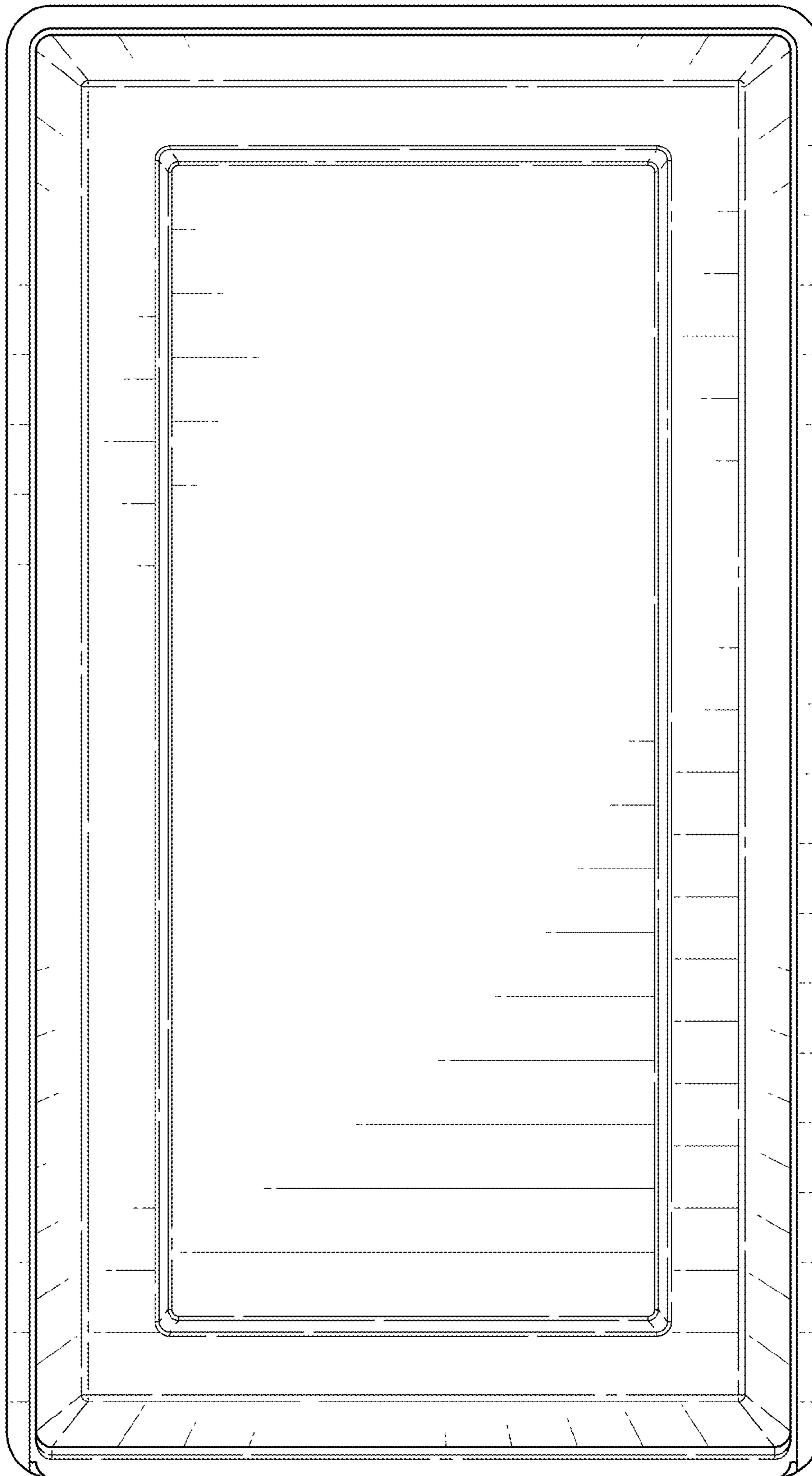


FIG. 6

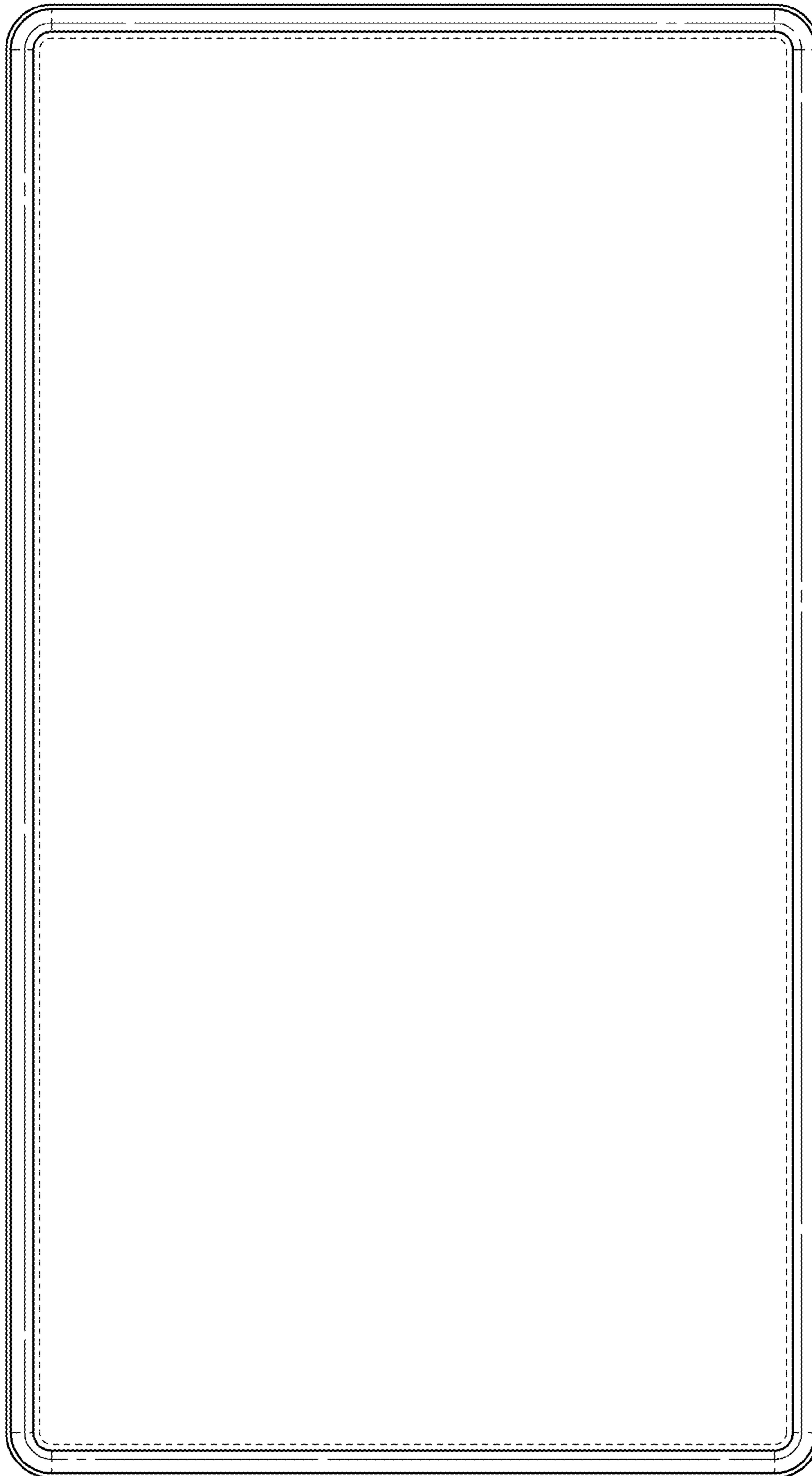


FIG. 7

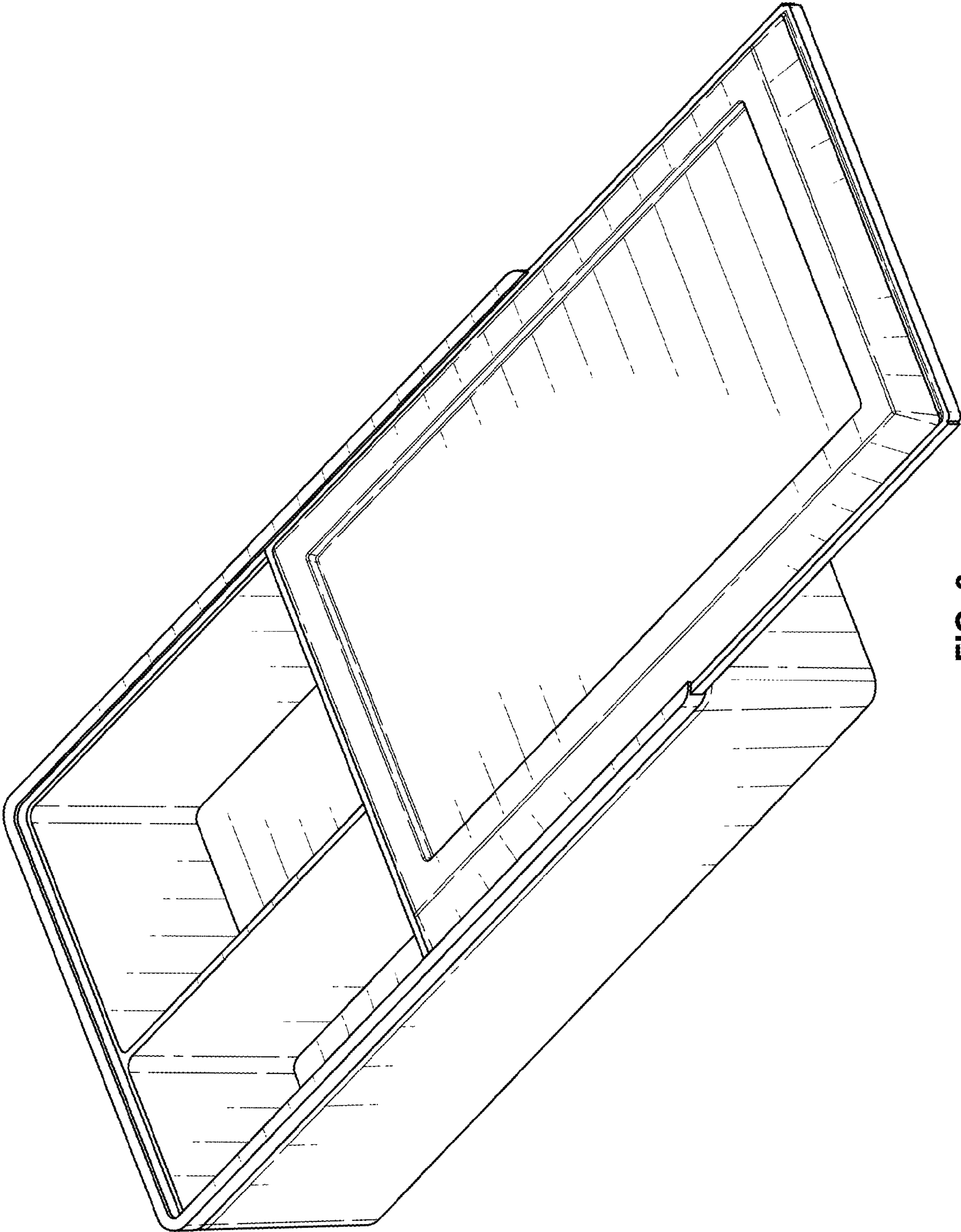


FIG. 8



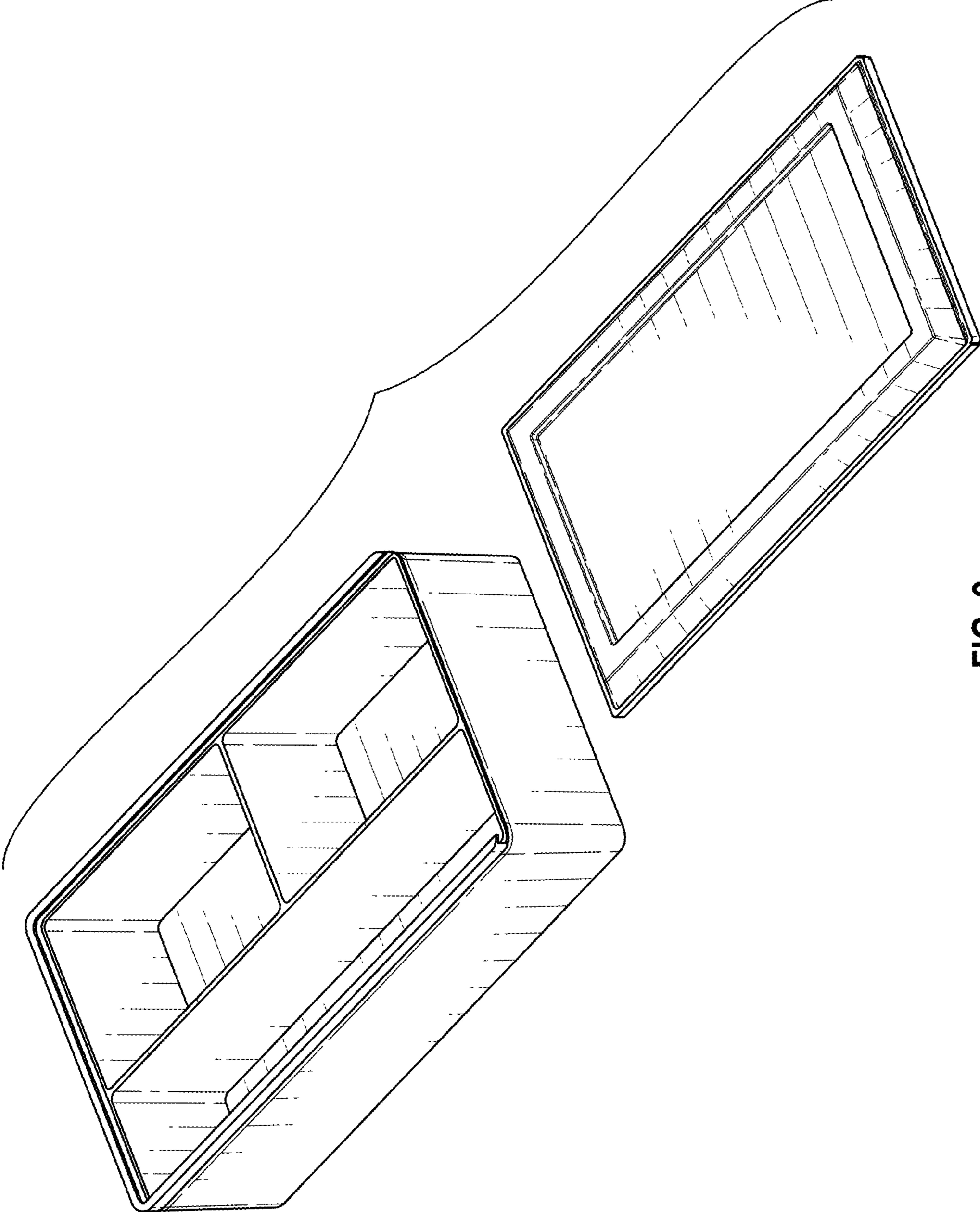


FIG. 9