



US00D963414S

(12) **United States Design Patent**
Li

(10) **Patent No.:** **US D963,414 S**

(45) **Date of Patent:** **** Sep. 13, 2022**

(54) **WATER JUG**

(71) Applicant: **Haijie Li**, Zhengzhou (CN)

(72) Inventor: **Haijie Li**, Zhengzhou (CN)

(**) Term: **15 Years**

(21) Appl. No.: **29/809,356**

(22) Filed: **Sep. 27, 2021**

(51) **LOC (13) Cl.** **07-01**

(52) **U.S. Cl.**

USPC **D7/511**; D7/608

(58) **Field of Classification Search**

USPC D3/202; D9/443, 446, 449, 500, 531,
D9/516, 517, 549; D7/507, 509, 510,
D7/511, 529, 531, 532, 523, 533, 534,
D7/535, 536, 392.1, 396.1, 396.2, 300.1,
D7/608

CPC A47G 19/22; A47G 19/2288; A47G
19/2205; A47J 41/0077; A47J 41/0055;
A47J 41/0022; A47J 41/00; A47J 41/02;
B65D 1/40; B65D 21/02; B65D 43/00

See application file for complete search history.

(56) **References Cited**

U.S. PATENT DOCUMENTS

RE5,047 E * 9/1872 Evenden D9/764
208,628 A * 10/1878 Norris B65D 23/001
215/12.1
232,502 A * 9/1880 Hughes A47J 41/02
215/12.1
285,705 A * 9/1883 Tallman B65D 23/001
215/12.1
526,940 A * 10/1894 Pettit et al. B65D 21/0231
206/509
846,719 A * 3/1907 Baron et al. B65D 23/001
215/12.1
D56,061 S * 8/1920 French D7/608
1,489,059 A * 4/1924 Brainard A47J 41/0077
215/13.1

D96,990 S * 9/1935 Knapp D7/608
D109,331 S * 4/1938 McManus et al. 413/22
D117,621 S * 11/1939 Schwarz D7/608
2,405,764 A * 8/1946 Smith A47J 41/02
220/592.2
D193,640 S * 9/1962 Deaver D7/608

(Continued)

FOREIGN PATENT DOCUMENTS

CN 305534528 * 1/2020
CN 306438034 * 4/2021
RU 00112693 * 12/2018

OTHER PUBLICATIONS

YETI [online] URL: <https://www.yeti.com/drinkware/jugs/21071501100.html?> (site visited: Jun. 18, 2022) (Year: 2018).*

(Continued)

Primary Examiner — Jae Liang
Assistant Examiner — Tia Ruth-Renee Polidori

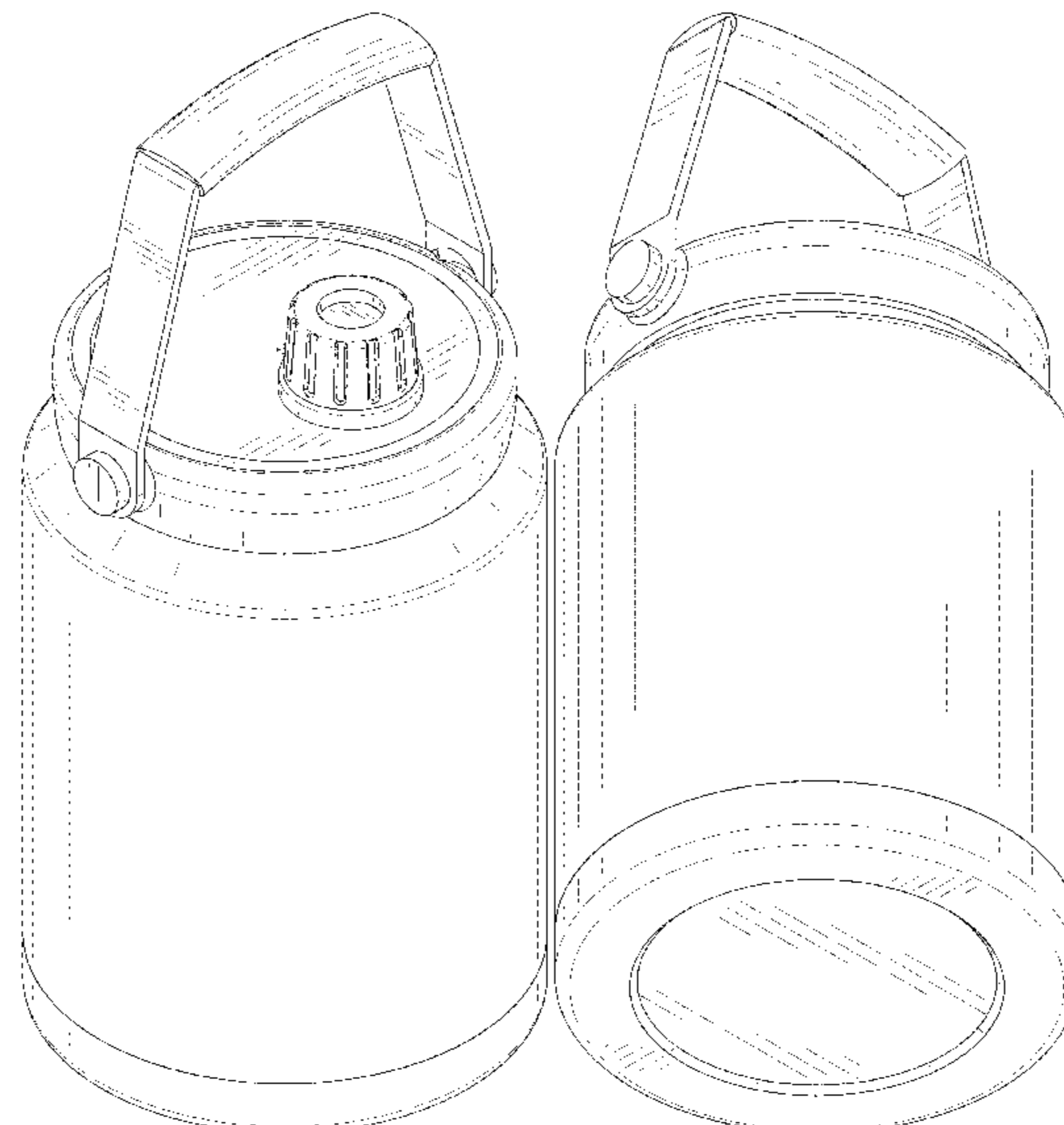
(57) **CLAIM**

The ornamental design for a water jug, as shown and described.

DESCRIPTION

FIG. 1 is a top perspective view of a water jug showing my new design;
FIG. 2 is a bottom perspective view thereof;
FIG. 3 is a front elevational view thereof;
FIG. 4 is a rear elevational view thereof;
FIG. 5 is a left side elevational view thereof;
FIG. 6 is a right side elevational view thereof;
FIG. 7 is a top plan view thereof;
FIG. 8 is a bottom plan view thereof; and,
FIG. 9 is an exploded top perspective view thereof.
The broken lines in the drawings depict portions of the water jug that form no part of the claimed design.

1 Claim, 9 Drawing Sheets



(56)

References Cited

U.S. PATENT DOCUMENTS

D195,372 S * 6/1963 Worsley D9/439
 3,120,974 A * 2/1964 Matson A45F 5/10
 215/396
 3,286,865 A * 11/1966 Piker A47J 41/0077
 D7/605
 D224,646 S * 8/1972 Vollquartz D9/500
 D247,772 S * 4/1978 Sexton, Jr. D9/772
 D261,088 S * 10/1981 Akimov D9/532
 D346,299 S * 4/1994 Covault D7/300
 D364,810 S * 12/1995 Meisner D9/446
 D419,071 S * 1/2000 Peters D9/449
 D436,862 S * 1/2001 Witt D9/453
 D518,335 S * 4/2006 Naft A47G 19/2266
 D7/320
 D626,414 S * 11/2010 Cresswell D9/500
 D633,795 S * 3/2011 Cresswell D9/500
 D633,798 S * 3/2011 Cresswell D9/500
 D666,908 S * 9/2012 Dabah D9/449
 D676,764 S * 2/2013 Moore B65D 7/04
 D9/500
 D772,652 S * 11/2016 Yao D7/510
 D774,363 S * 12/2016 Seiders D9/504
 D780,584 S * 3/2017 Lang D9/516
 D786,966 S * 5/2017 Matsushita D9/453
 D787,893 S * 5/2017 Seiders D7/608
 D787,894 S * 5/2017 Seiders D7/608
 D790,624 S * 6/2017 Matsushita D9/503
 D801,111 S * 10/2017 Eyal D9/449
 D803,632 S * 11/2017 Seiders D7/608
 D808,731 S * 1/2018 Boroski D7/608
 D824,217 S * 7/2018 Seiders D7/608
 D830,783 S * 10/2018 Diener D7/532
 D832,700 S * 11/2018 Seiders D7/392.1
 D839,057 S * 1/2019 Jacobsen D7/608
 D839,684 S * 2/2019 Jacobsen D7/608

D839,685 S * 2/2019 Jacobsen D7/608
 D839,741 S * 2/2019 Hawry D9/503
 D840,195 S * 2/2019 Seiders D7/620
 D843,789 S * 3/2019 Boroski D7/630
 D845,084 S * 4/2019 Jacobsen D7/608
 D849,482 S * 5/2019 Diener D7/510
 D853,195 S 7/2019 Chen
 D856,087 S * 8/2019 Adams, Jr. D9/516
 D873,139 S * 1/2020 Chapin D9/453
 D876,905 S * 3/2020 Seiders D7/608
 D899,189 S 10/2020 Pan
 D899,871 S * 10/2020 Seiders D7/608
 D904,831 S * 12/2020 Shah D7/608
 D913,036 S * 3/2021 Steenari D7/392.1
 D916,594 S * 4/2021 Kang D9/531
 D934,033 S * 10/2021 Seiders D7/608
 D944,084 S * 2/2022 Hu D9/453
 D947,611 S * 4/2022 Lown D7/510
 D957,939 S * 7/2022 Haas D9/532
 2017/0158412 A1 * 6/2017 Seiders B65D 23/108

OTHER PUBLICATIONS

RTIC [online] URL: <https://rticoutdoors.com/Jug> (site visited: Jun. 18, 2022) (Year: 2020).*

Stanley [online] URL: https://www.amazon.com/Stanley-Stainless-Insulated-Reusable-Leakproof/dp/B08RXSMRNB/ref=asc_df_B08RXSMRNB (site visited: Jun. 18, 2022) (Year: 2021).*

Sursip [online] URL: <https://www.amazon.com/dp/B09BJKSPV6> (site visited: Jun. 18, 2022) (Year: 2021).*

CIVAGO [online] URL: <https://www.amazon.com/CIVAGO-Insulated-Stainless-Canteen-Midnight/dp/B09VB7HDJM> (site visited: Jun. 18, 2022) (Year: 2022).*

Stanley [online] URL: <https://www.amazon.com/Stanley-Classic-IceFlowTM-Straw-Tumbler/dp/B09PL6SRFM> (site visited: Jun. 18, 2022) (Year: 2022).*

* cited by examiner

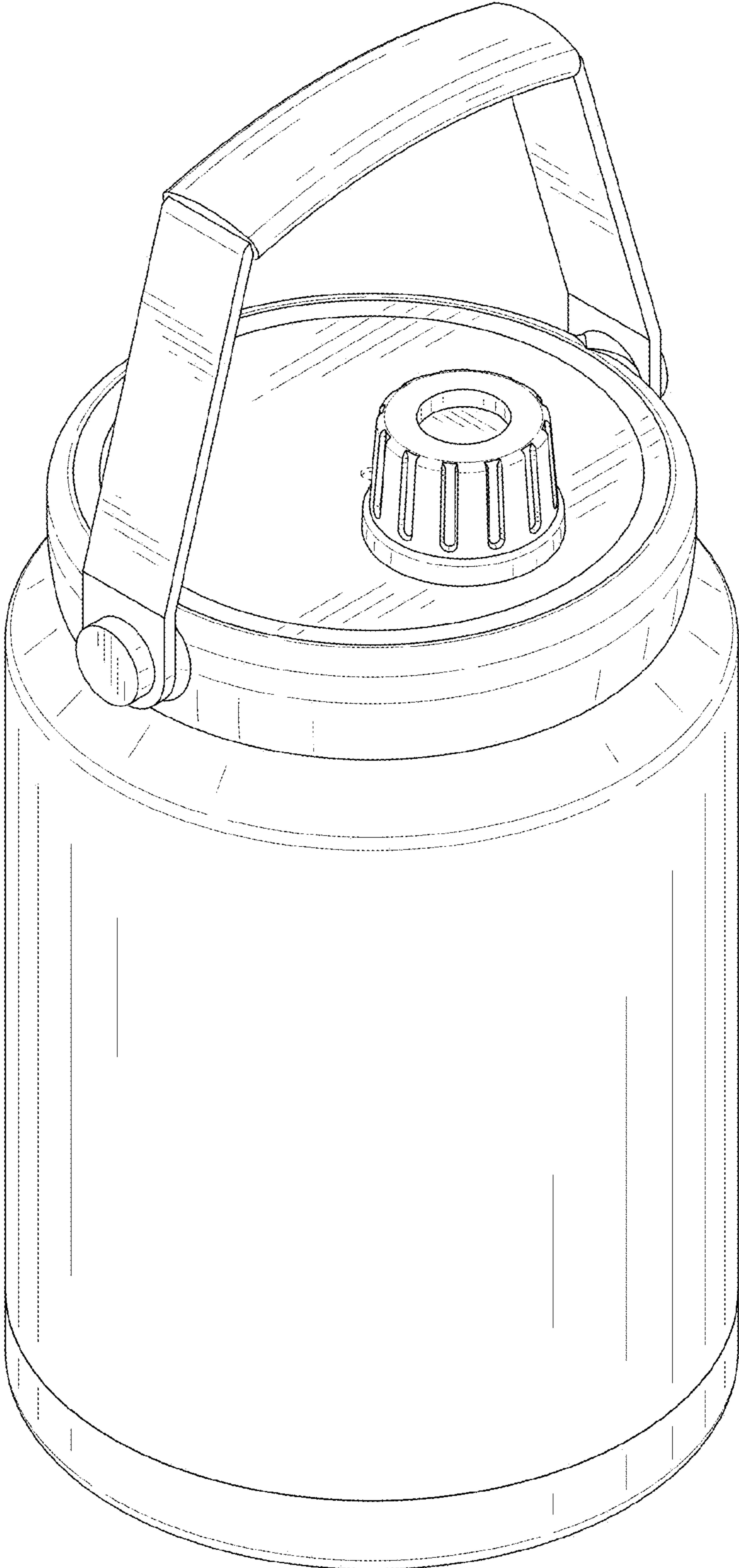


FIG. 1

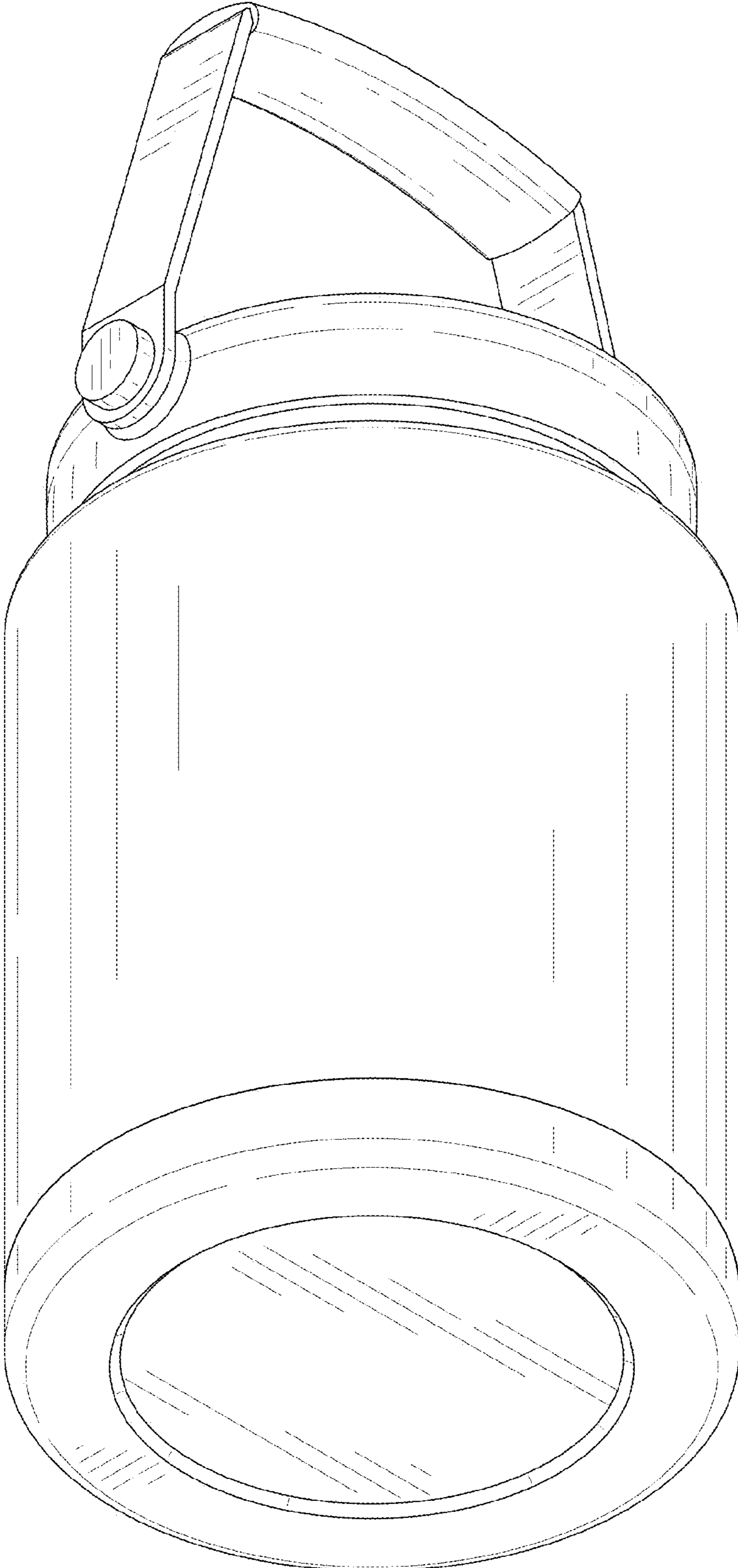


FIG. 2

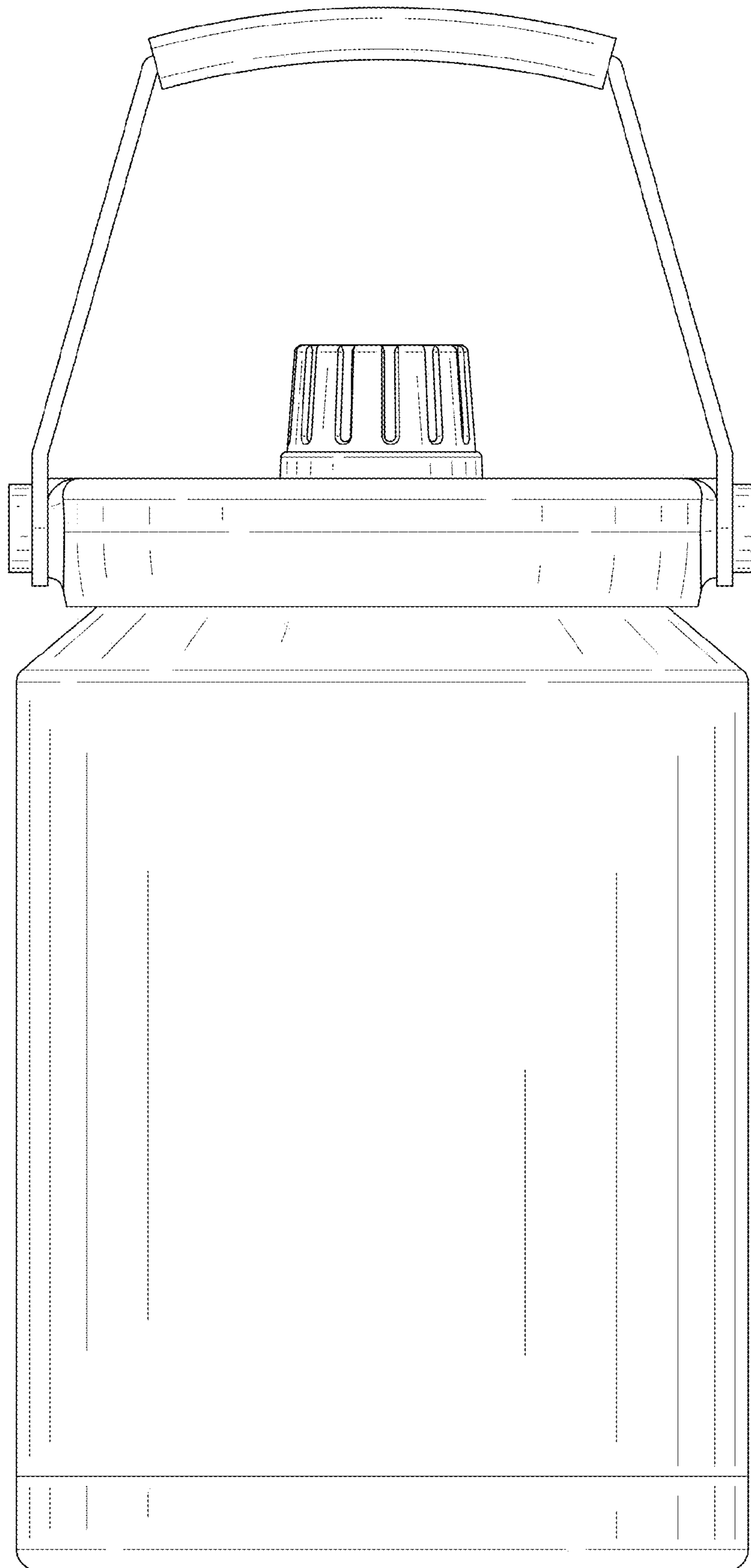


FIG. 3

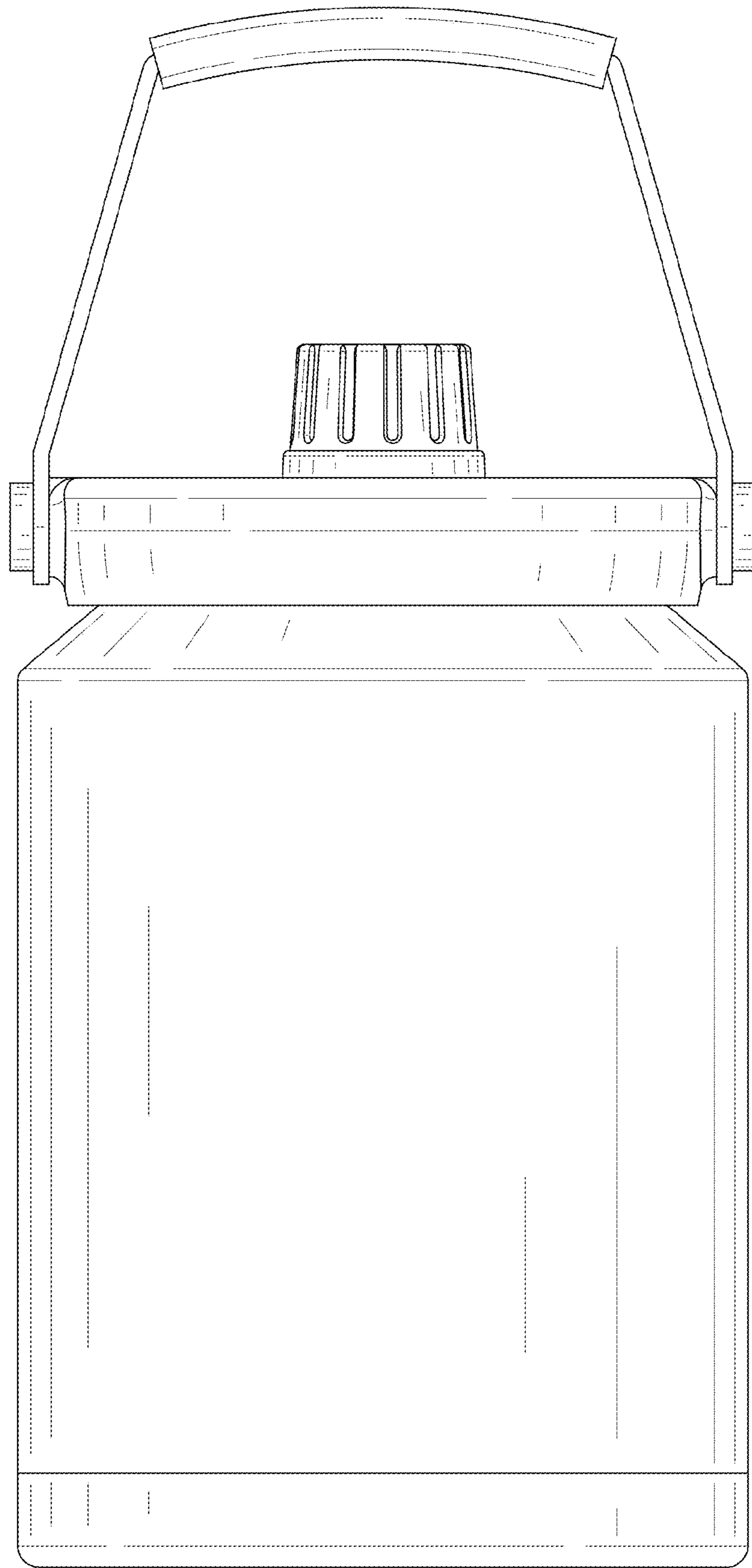


FIG. 4

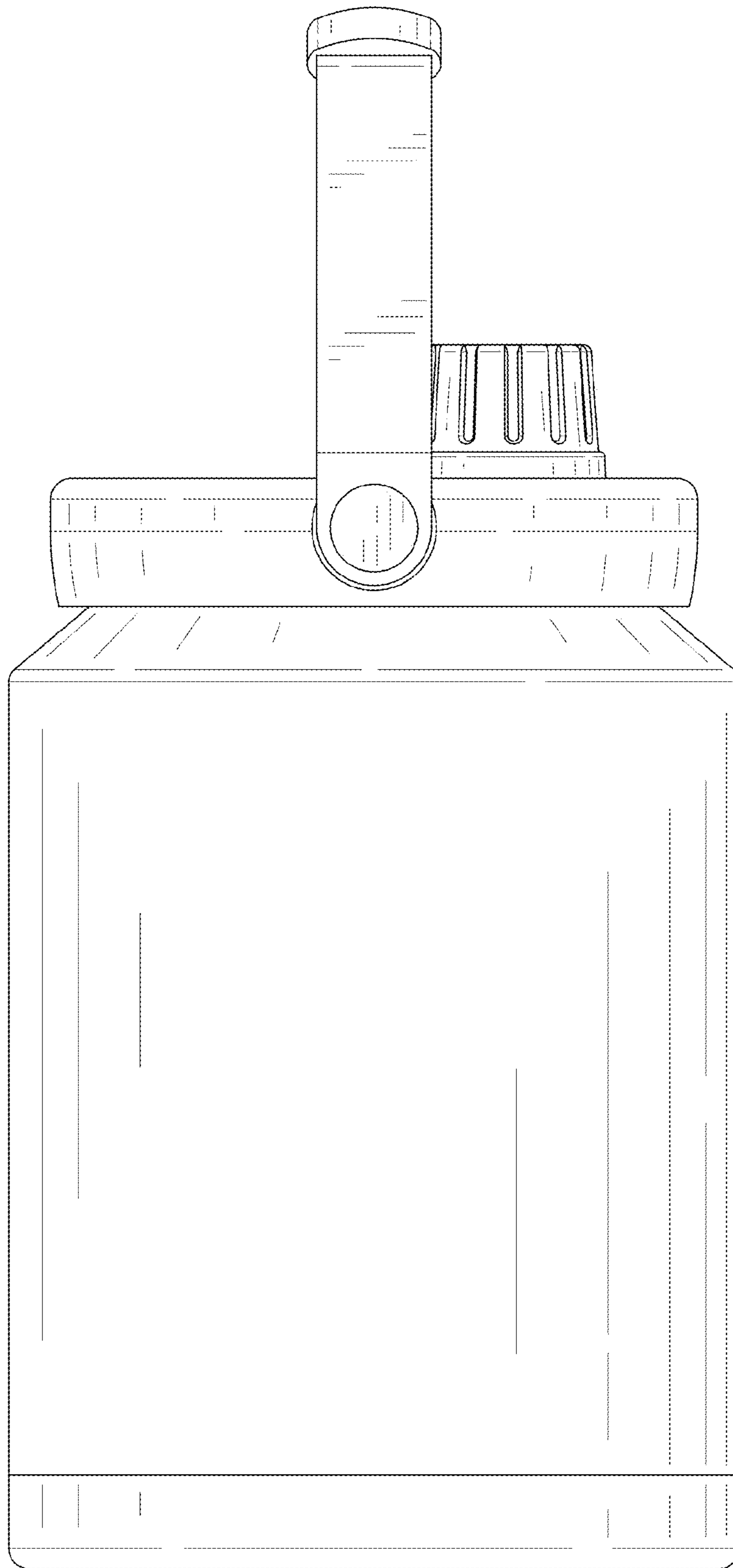


FIG. 5

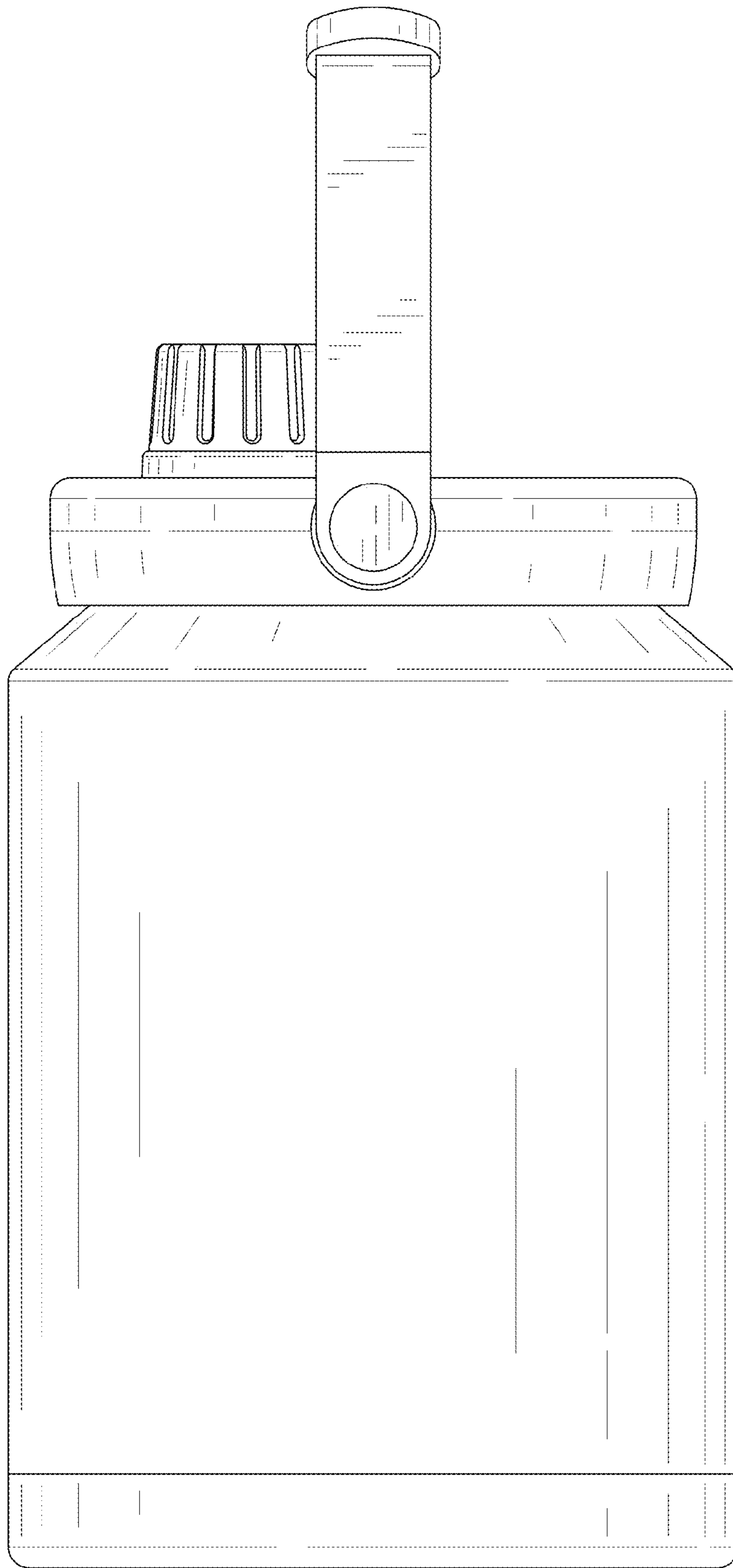


FIG. 6

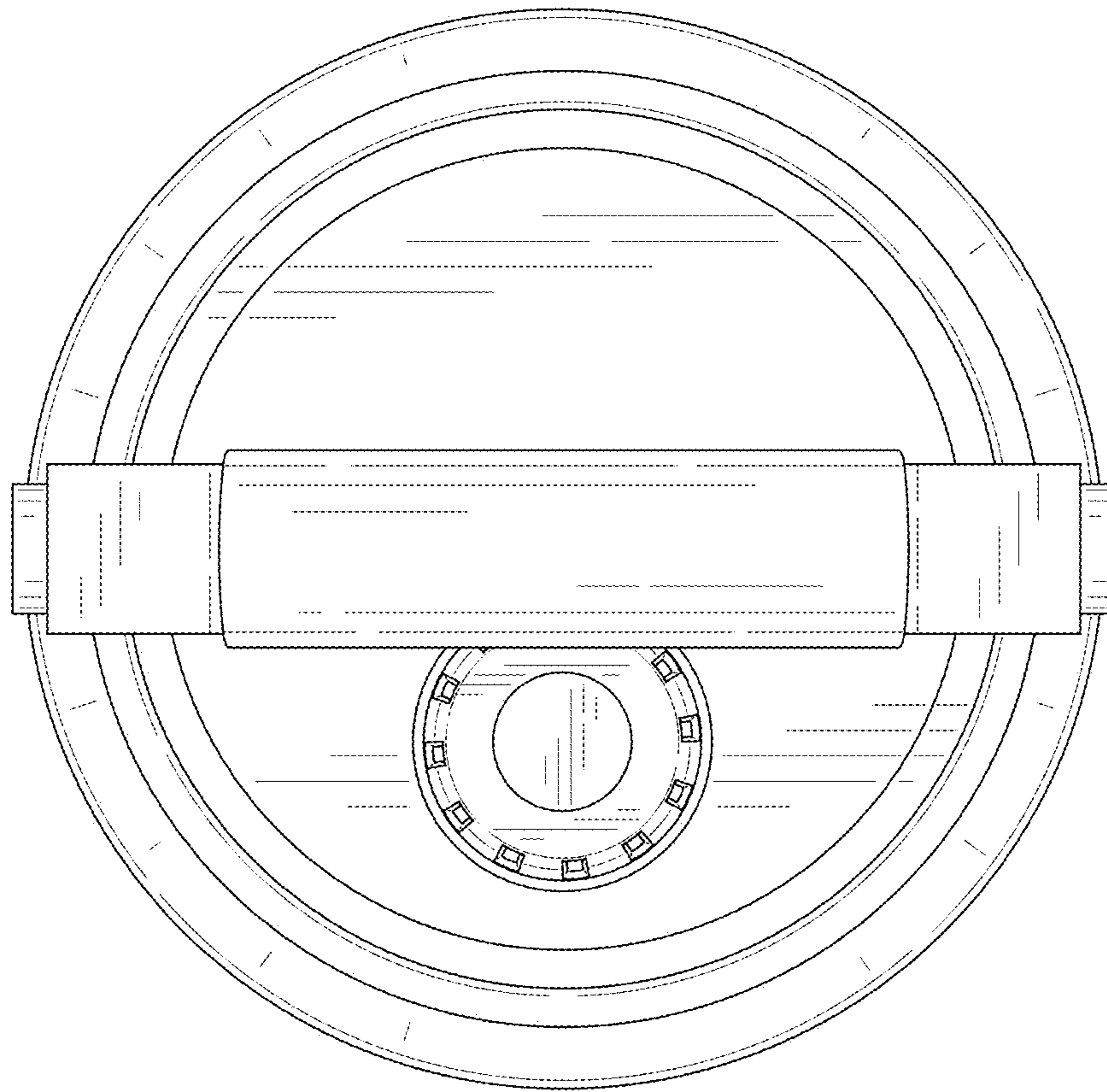


FIG. 7

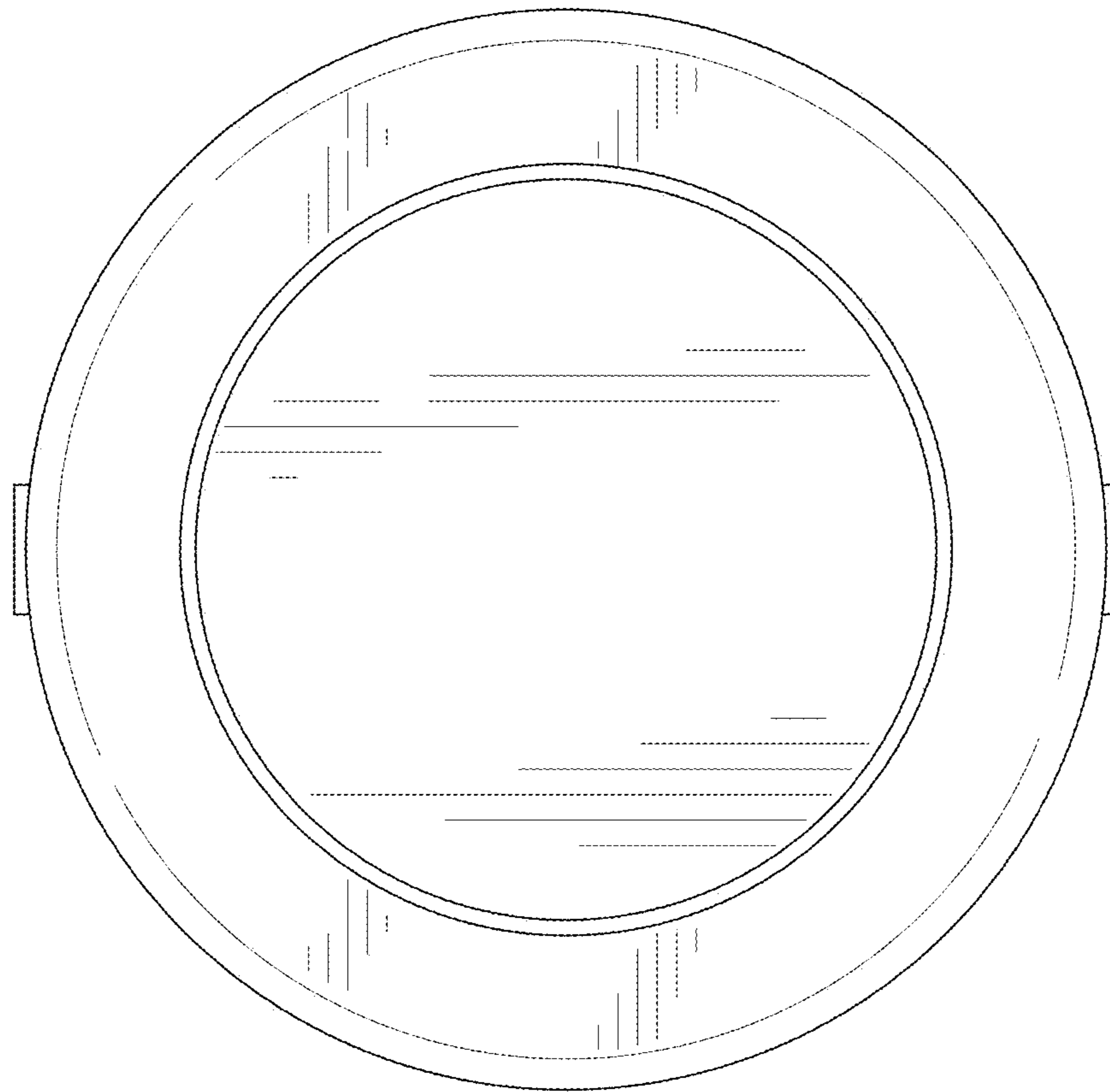


FIG. 8

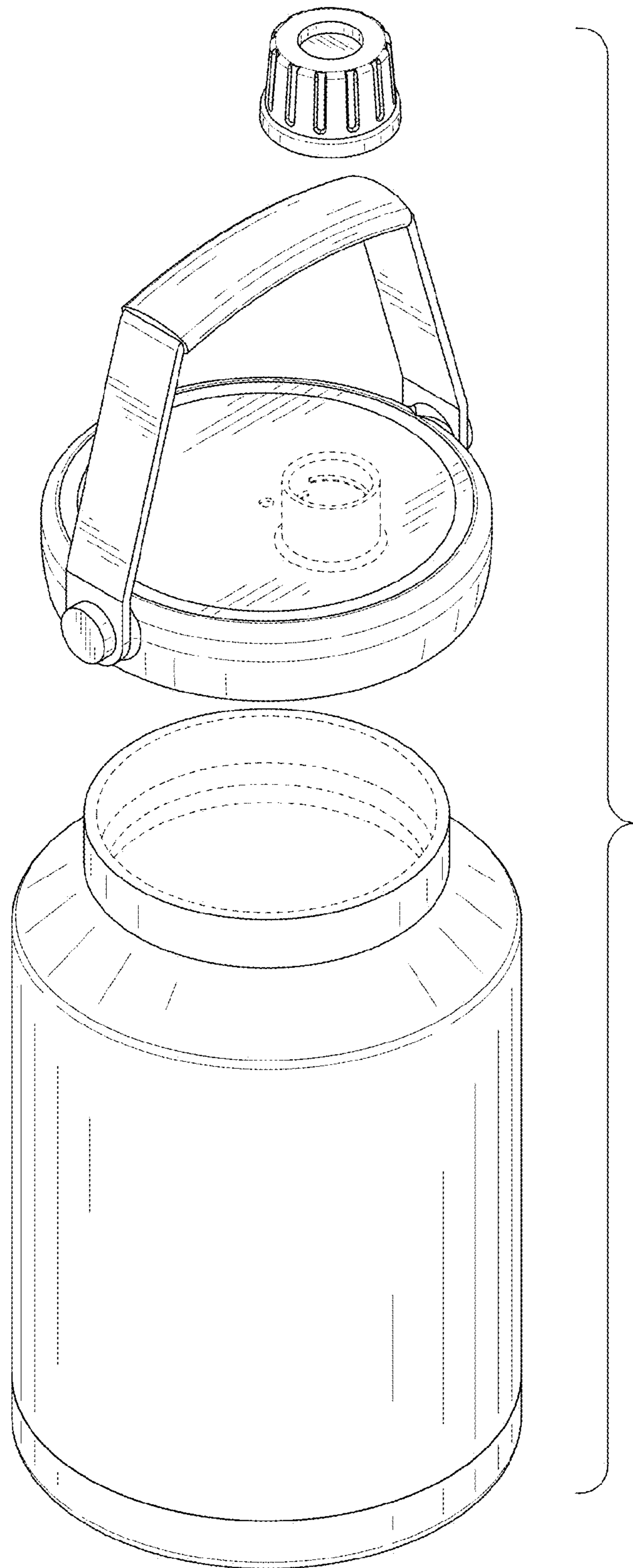


FIG. 9