



US00D963412S

(12) **United States Design Patent**
Yeh

(10) **Patent No.:** **US D963,412 S**
(45) **Date of Patent:** **** Sep. 13, 2022**

(54) **STUDED TUMBLER WITH LID**

FOREIGN PATENT DOCUMENTS

(71) Applicant: **DESIGN INTERNATIONAL GROUP, INC.**, City of Industry, CA (US)

EM 007432737-0001 * 1/2020
EM 008583611-0001 * 7/2021

(Continued)

(72) Inventor: **Chun Cheng Jason Yeh**, City of Industry, CA (US)

OTHER PUBLICATIONS

(73) Assignee: **Design International Group, Inc.**, City of Industry, CA (US)

Starbucks [online] URL: <https://www.insider.com/starbucks-launched-matte-black-tumbler-in-time-for-halloween-2019-8> (site visited: Mar. 9, 2022) (Year: 2019).*

(Continued)

(**) Term: **15 Years**

Primary Examiner — Jae Liang

(21) Appl. No.: **29/750,008**

Assistant Examiner — Tia Ruth-Renee Polidori

(22) Filed: **Sep. 10, 2020**

(74) *Attorney, Agent, or Firm* — Rosenberg, Klein & Lee

(51) **LOC (13) Cl.** **07-01**

(57) **CLAIM**

(52) **U.S. Cl.**
USPC **D7/510; D7/511**

The ornamental design for a studded tumbler with lid, as shown and described.

(58) **Field of Classification Search**
USPC D7/507, 509, 510, 511, 523, 533, 536, D7/392.1, 396.1, 396.2, 608, 300.1, 598, D7/600, 532, 900; D9/443, 446, 449, D9/535, 516, 549; D3/202; D29/125, D29/126; 220/713, 715

DESCRIPTION

CPC A47G 19/2205; A47G 23/16; A47G 19/2272; A47J 41/00; A47J 41/02; A47J 41/0088; A47J 41/0077; Y10S 220/903; B65D 21/02; B65D 43/00; B65D 41/00
See application file for complete search history.

FIG. 1 is a top front perspective view of a studded tumbler with lid, showing my design;
FIG. 2 is a front elevational view thereof;
FIG. 3 is a top plan view thereof;
FIG. 4 is a bottom plan view thereof;
FIG. 5 is a cross-sectional view taken along line 5-5 in FIG. 1;
FIG. 6 is a partially enlarged cross-sectional view taken from FIG. 5;
FIG. 7 is a partially enlarged cross-sectional view taken from FIG. 5;
FIG. 8 is a detail view of a partial portion of FIG. 2;
FIG. 9 is a detail view of a partial portion of FIG. 2; and,
FIG. 10 is a detail view of a partial portion of FIG. 2.
The broken lines in the drawings illustrate cross-sectional and partial view indicia and form no part of the claimed design.

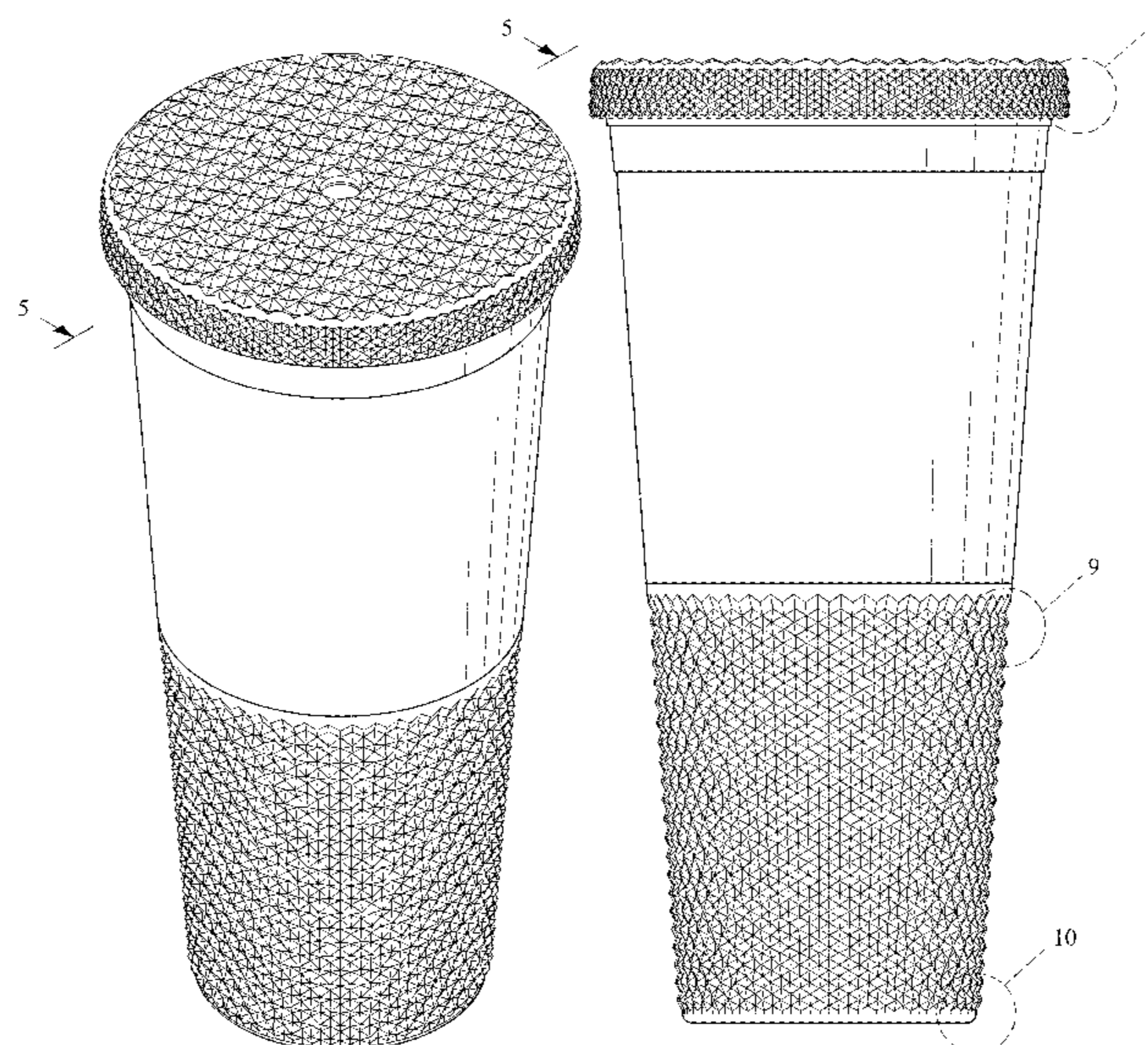
(56) **References Cited**

U.S. PATENT DOCUMENTS

D119,862 S * 4/1940 Lundy D7/523
D155,134 S * 9/1949 Dykstra D9/555
D178,529 S * 8/1956 Lorenzen D9/555
D201,840 S * 8/1965 Hauser D9/555
3,967,993 A * 7/1976 Isomi B65D 23/0878
220/903

(Continued)

1 Claim, 7 Drawing Sheets



(56)

References Cited

U.S. PATENT DOCUMENTS

5,201,438 A * 4/1993 Norwood B65D 1/0292
 220/666
 D369,556 S * 5/1996 Launder D9/555
 D371,936 S * 7/1996 Goto D7/509
 5,820,016 A * 10/1998 Stropkay B65D 47/06
 220/592.16
 D411,457 S * 6/1999 Ruda D9/553
 D411,740 S * 6/1999 Kim D9/553
 D448,677 S * 10/2001 Krich D9/555
 D478,778 S * 8/2003 Jarvis D7/509
 D517,417 S * 3/2006 Livingston D9/552
 D544,363 S * 6/2007 Hendricks D9/555
 D548,012 S * 8/2007 Tien D7/532
 D550,510 S * 9/2007 Morton D7/532
 D556,047 S * 11/2007 Lockman D9/556
 D602,742 S * 10/2009 Sutandar D7/530
 D643,736 S * 8/2011 Lagerqvist D9/558
 D645,304 S * 9/2011 Hale D7/392.1
 D653,118 S * 1/2012 Asano D9/554
 D674,289 S * 1/2013 Parodi D9/500
 D710,207 S * 8/2014 Pinabel D9/542
 D735,601 S * 8/2015 Thuma D11/152
 D773,895 S * 12/2016 Dai D7/510
 D796,264 S * 9/2017 Bo D7/532
 9,783,359 B2 * 10/2017 D'Amato B65D 81/3874
 D804,909 S * 12/2017 Cotnoir D7/532
 D811,884 S * 3/2018 Herman D9/516
 D815,910 S * 4/2018 Bo D7/532
 D832,654 S * 11/2018 Phillips D7/608
 D833,826 S * 11/2018 Sanchez Garcia D7/530
 D839,743 S * 2/2019 Herman D9/500
 D840,750 S * 2/2019 Simmons D7/396.2
 D841,394 S * 2/2019 Simmons D7/396.2
 D845,137 S * 4/2019 Wanders D9/566
 D848,851 S * 5/2019 Sullivan D9/558
 D850,272 S * 6/2019 Wanders D9/566
 D853,793 S * 7/2019 Bo D7/532
 D894,004 S * 8/2020 Aboabdo D9/503

D894,684 S * 9/2020 Kander D7/531
 D895,368 S * 9/2020 Balle D7/530
 D898,520 S * 10/2020 Katopis D7/624.2
 D902,732 S * 11/2020 Repetti D9/558
 D933,423 S * 10/2021 Ames D7/510
 11,234,561 B1 * 2/2022 Cornelius B65D 11/02
 2014/0057024 A1 * 2/2014 Briganti A23P 30/10
 426/138
 2014/0161944 A1 * 6/2014 Briganti B65D 65/463
 426/138
 2019/0231102 A1 * 8/2019 Dahab B65D 47/286
 2022/0031101 A1 * 2/2022 O'Nan A47G 19/23

FOREIGN PATENT DOCUMENTS

JP D1329245 * 5/2008
 JP D1590842 * 11/2017
 KR 301008728.0000 * 7/2019
 KR 301058585.0000 * 5/2020

OTHER PUBLICATIONS

MyBEVI [online] URL: <https://mybevi.com/products/mybevi%E2%84%A2-20-oz-hollywood-tumbler> (site visited: Mar. 9, 2022) (Year: 2020).*

Astor [online] URL: <https://www.amazon.com/Astor-Matte-Studded-Tumbler-Straw/dp/B094GF6GRW?th=1> (site visited: Feb. 7, 2022) (Year: 2021).*

Dreaming My Dream [online] URL: <https://www.amazon.com/Colors-Perfect-Changing-Reusable-Studded/dp/B09BN2N8BM> (site visited: Mar. 9, 2022) (Year: 2021).*

KAYKWQIC [online] URL: https://www.amazon.com/dp/B094VG3CKN/ref=sspa_dk_detail_6?pd_rd_i=B094VG3CKN (site visited: Feb. 7, 2022) (Year: 2021).*

Dixon [online] URL: <https://www.dixxon.com/products/dixxon-studded-matte-tumbler-lime-green> (site visited: Mar. 9, 2022) (Year: 2022).*

* cited by examiner

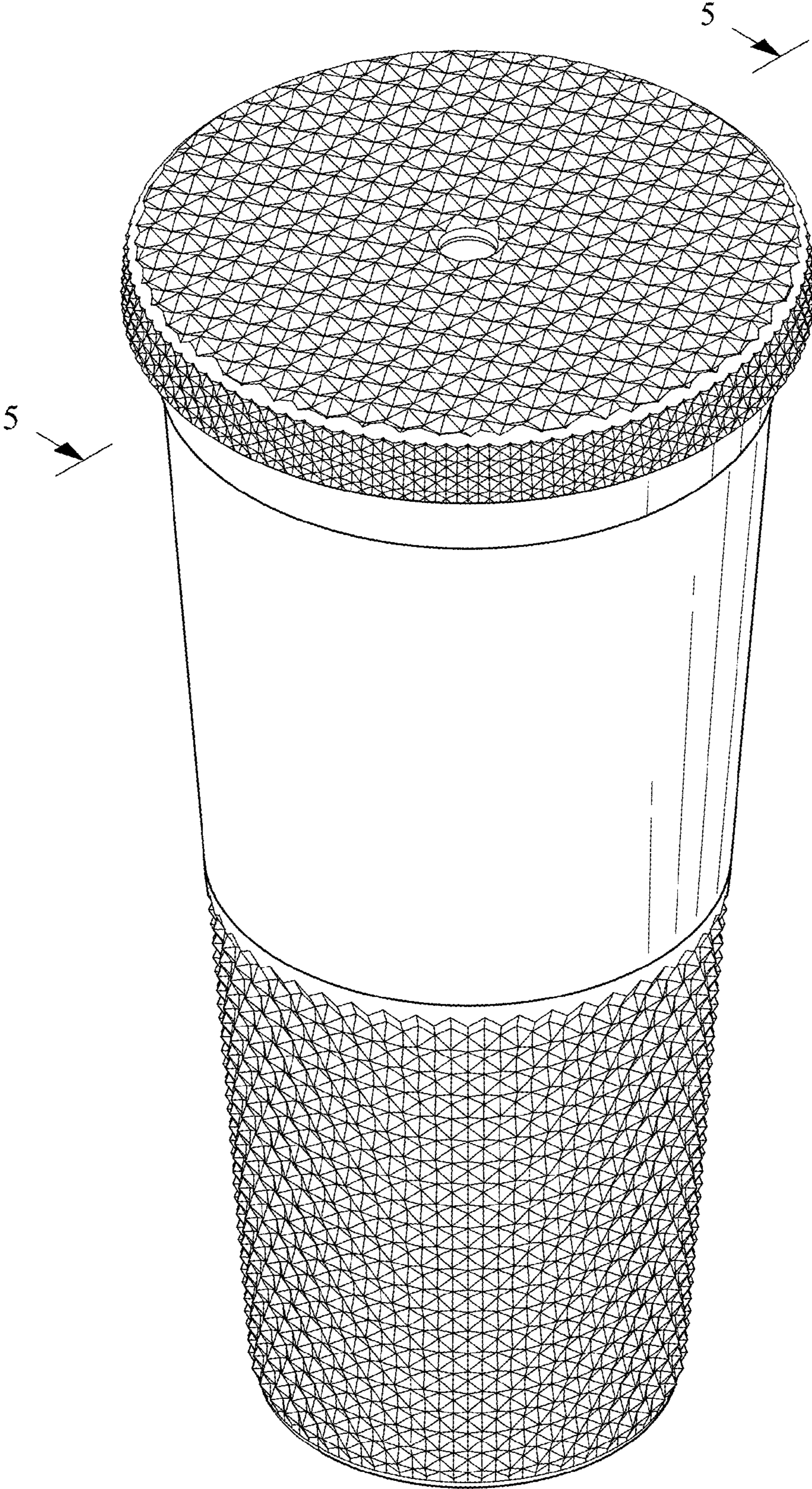


FIG.1

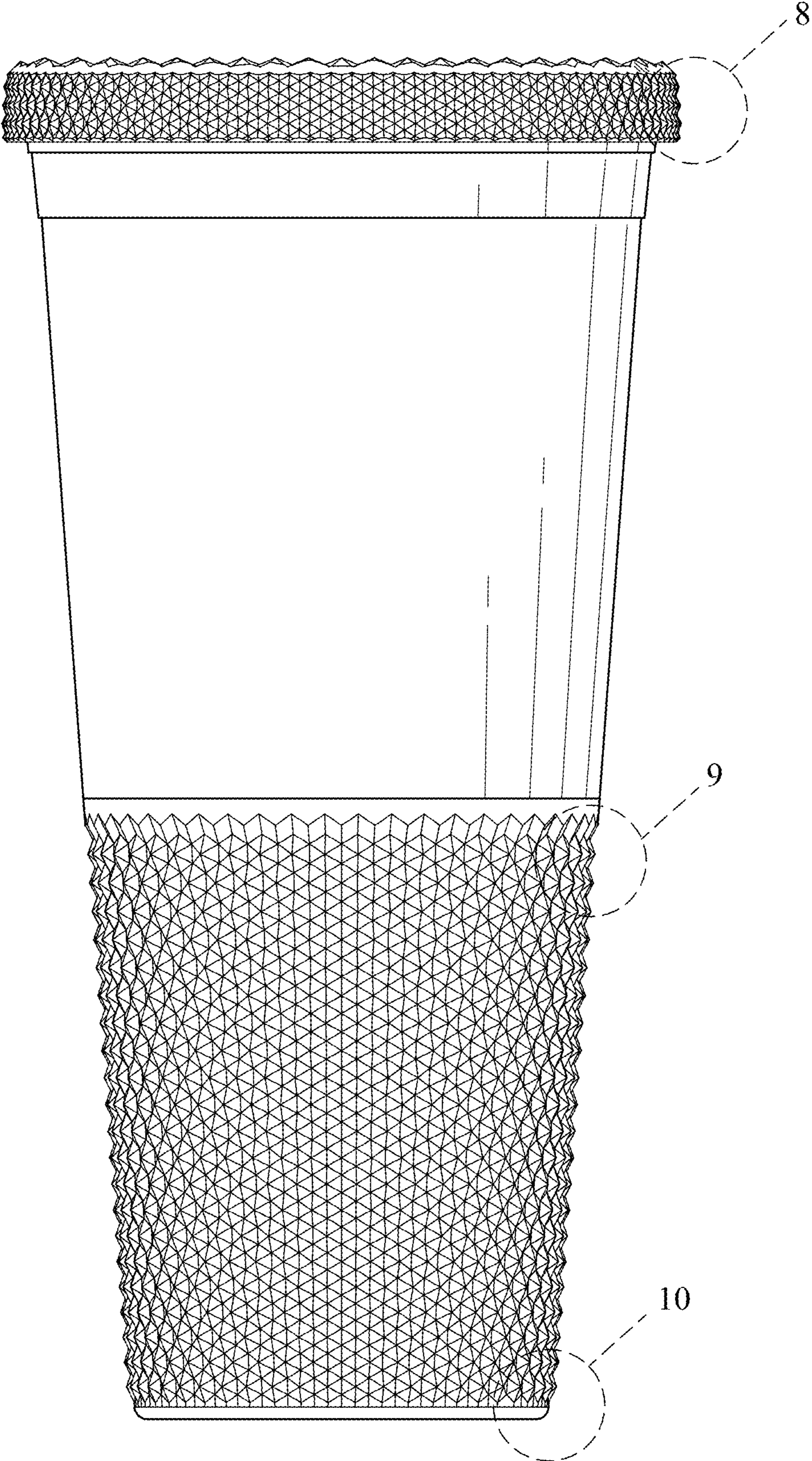


FIG.2

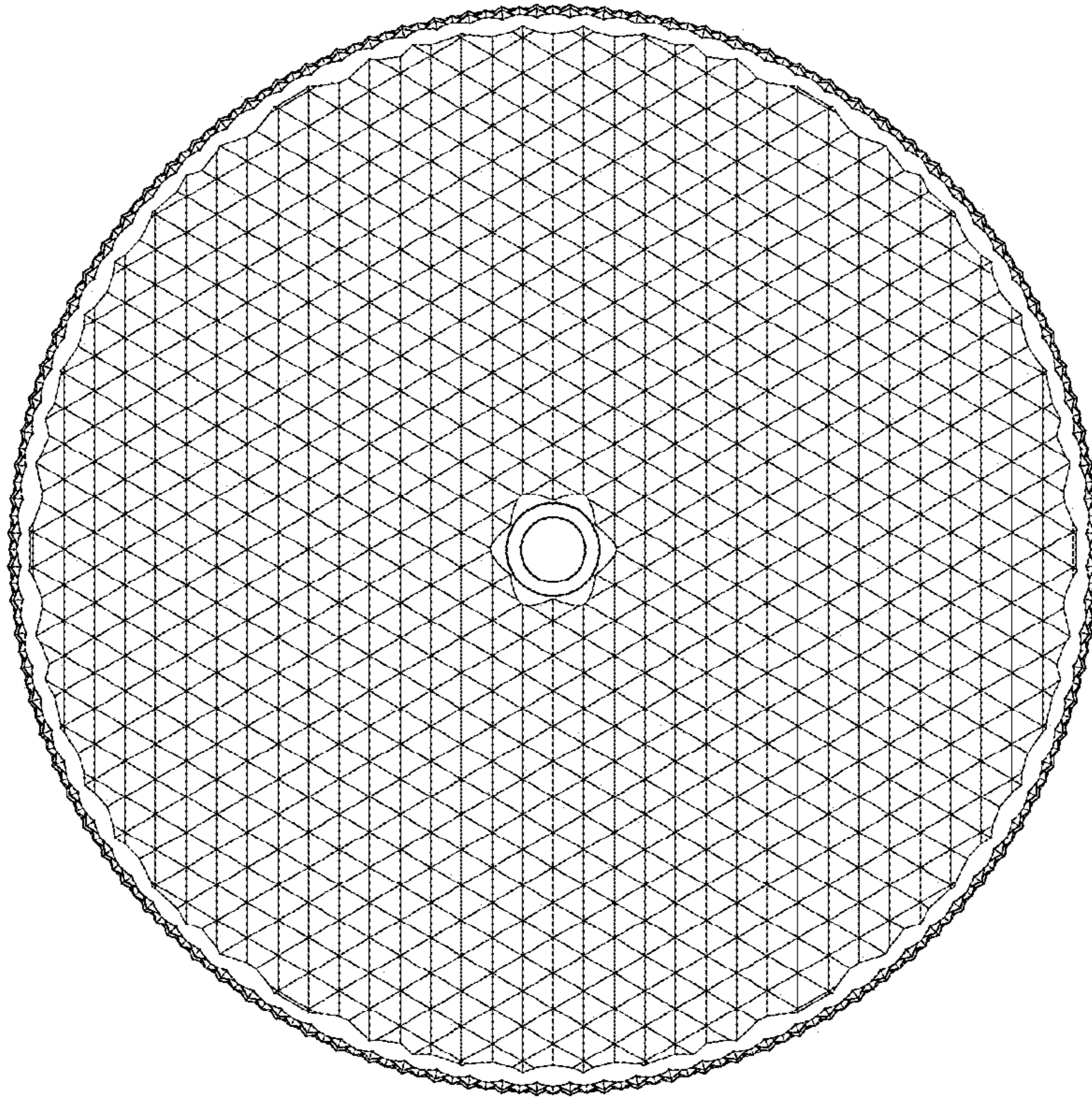


FIG.3

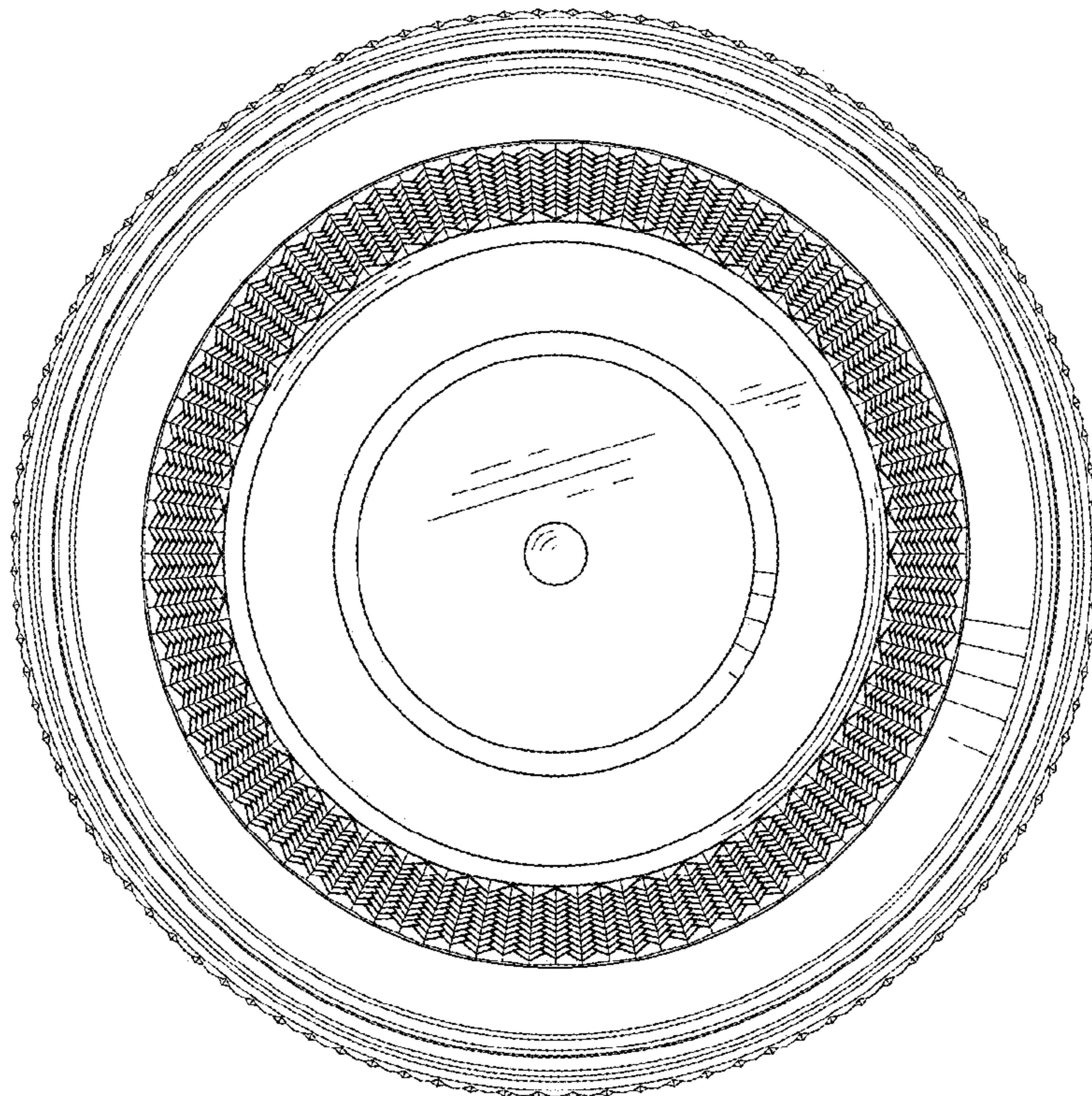


FIG.4

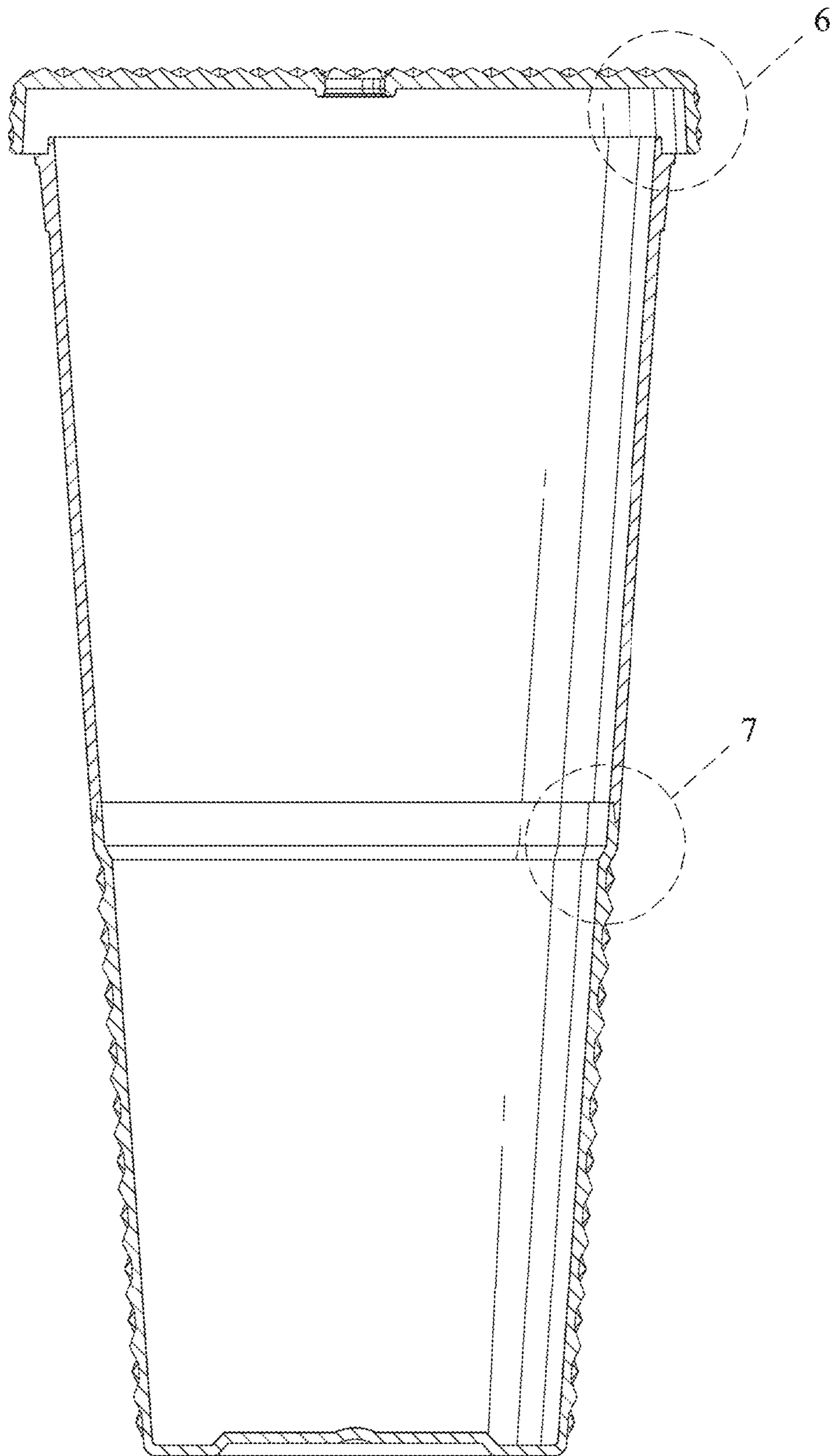


FIG.5

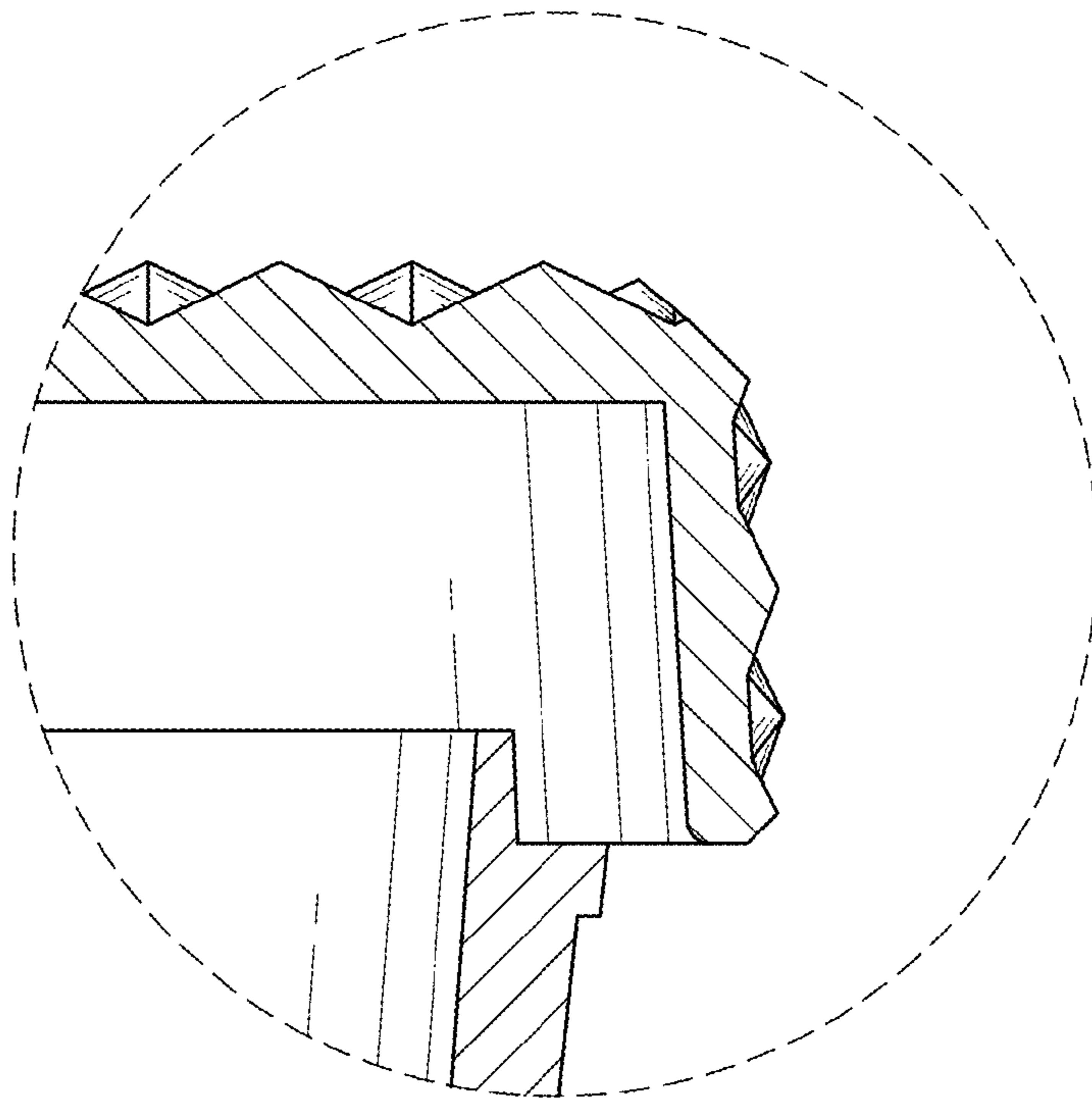


FIG. 6

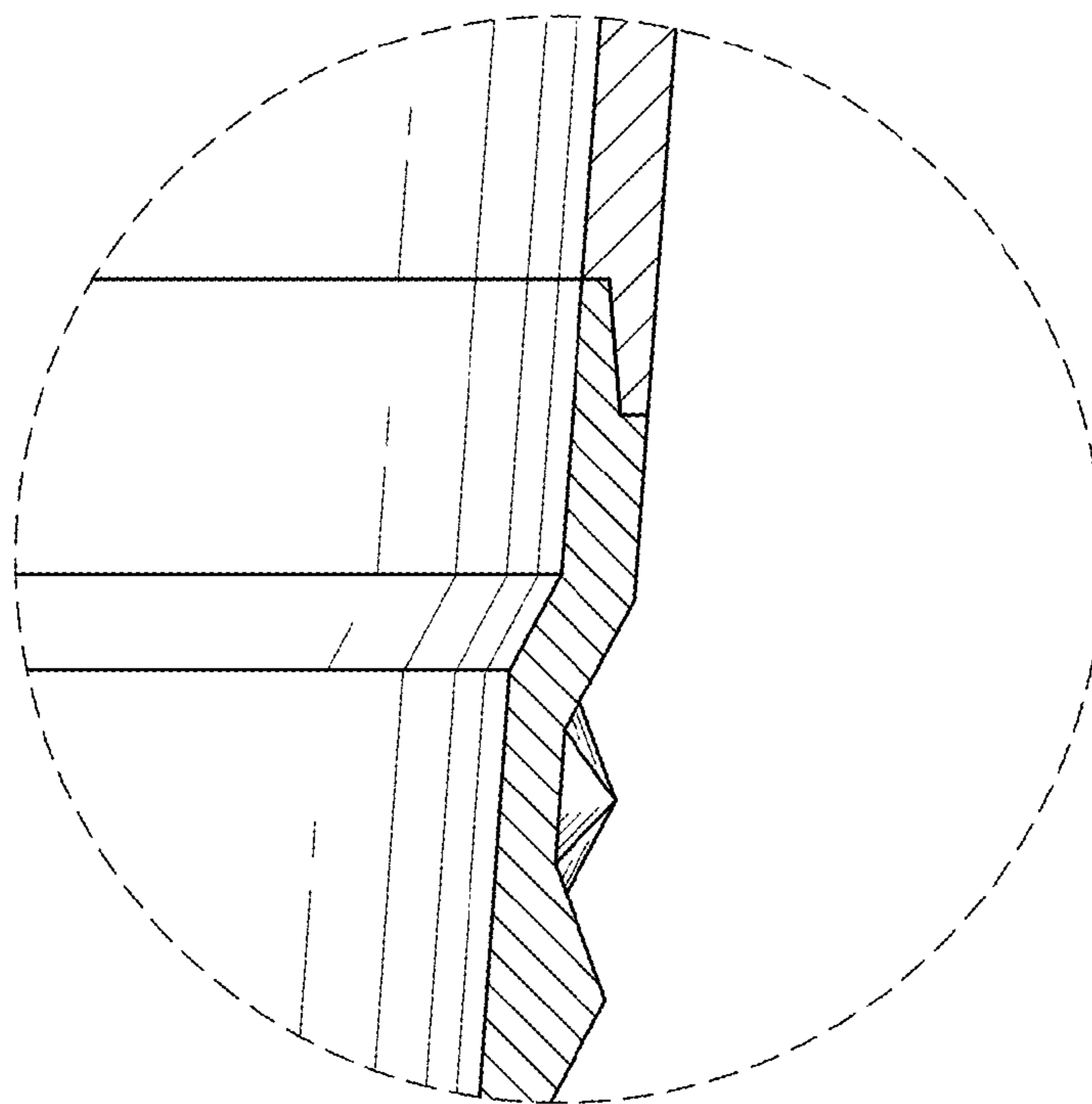


FIG. 7

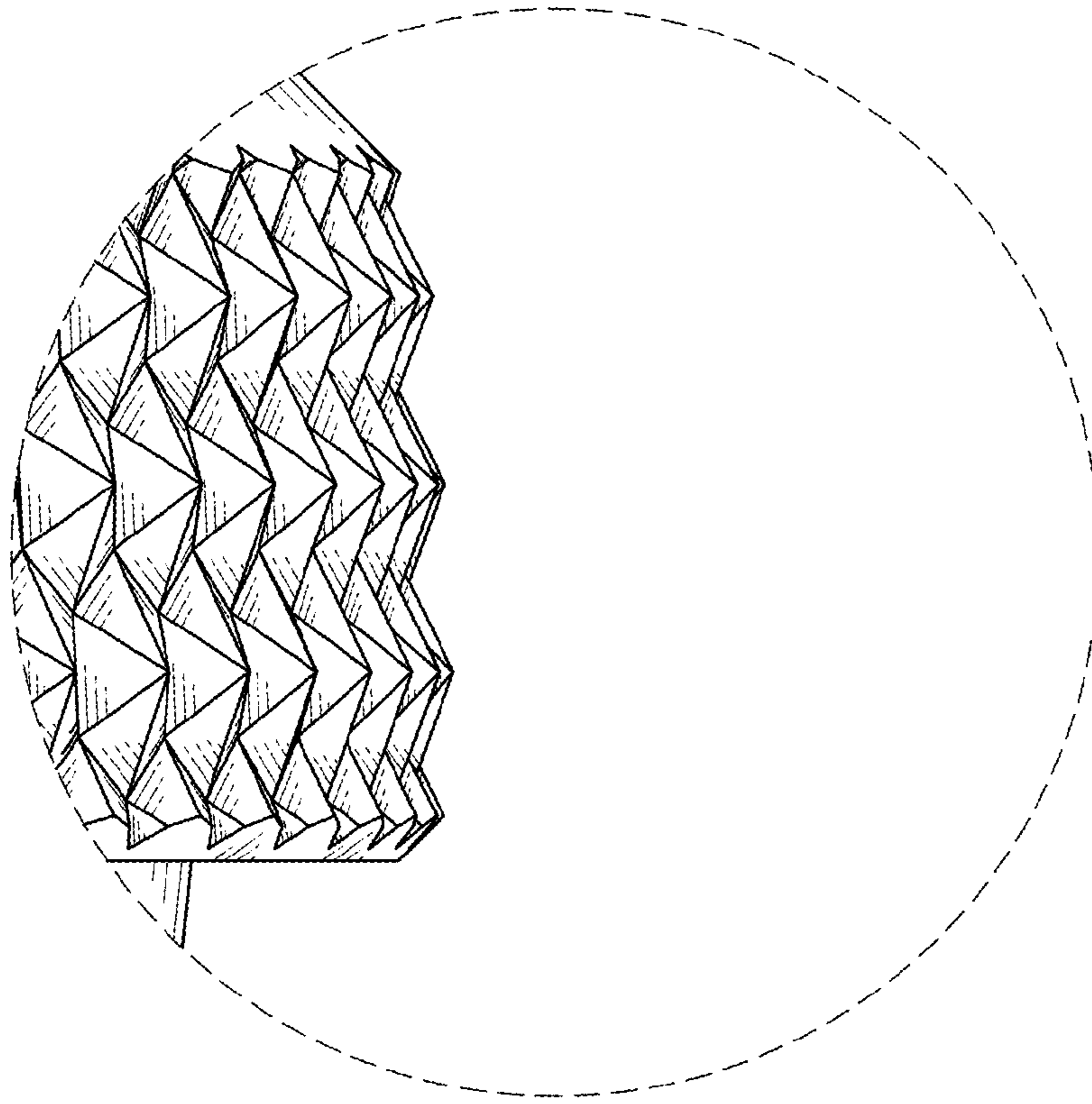


FIG. 8

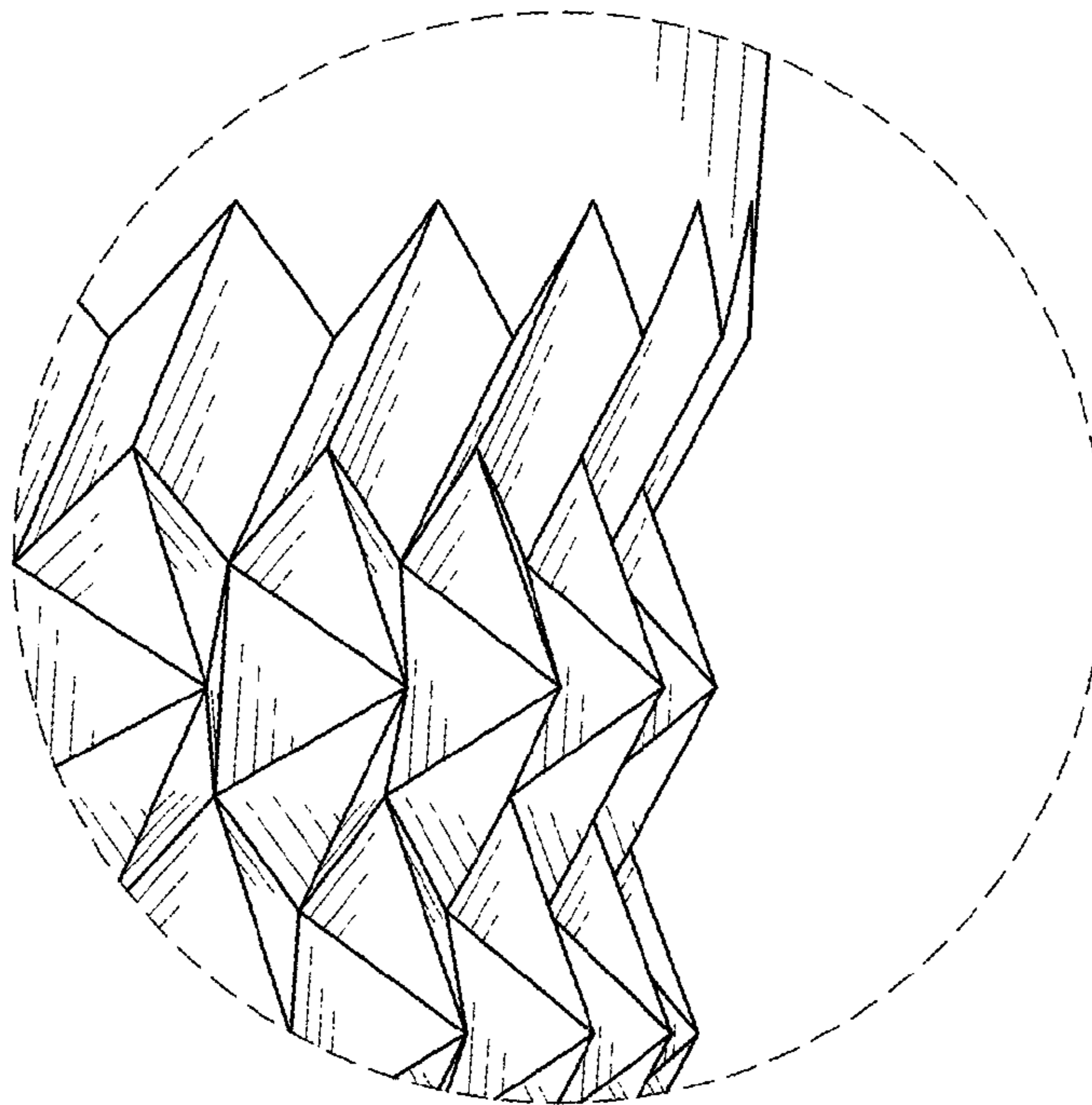


FIG. 9

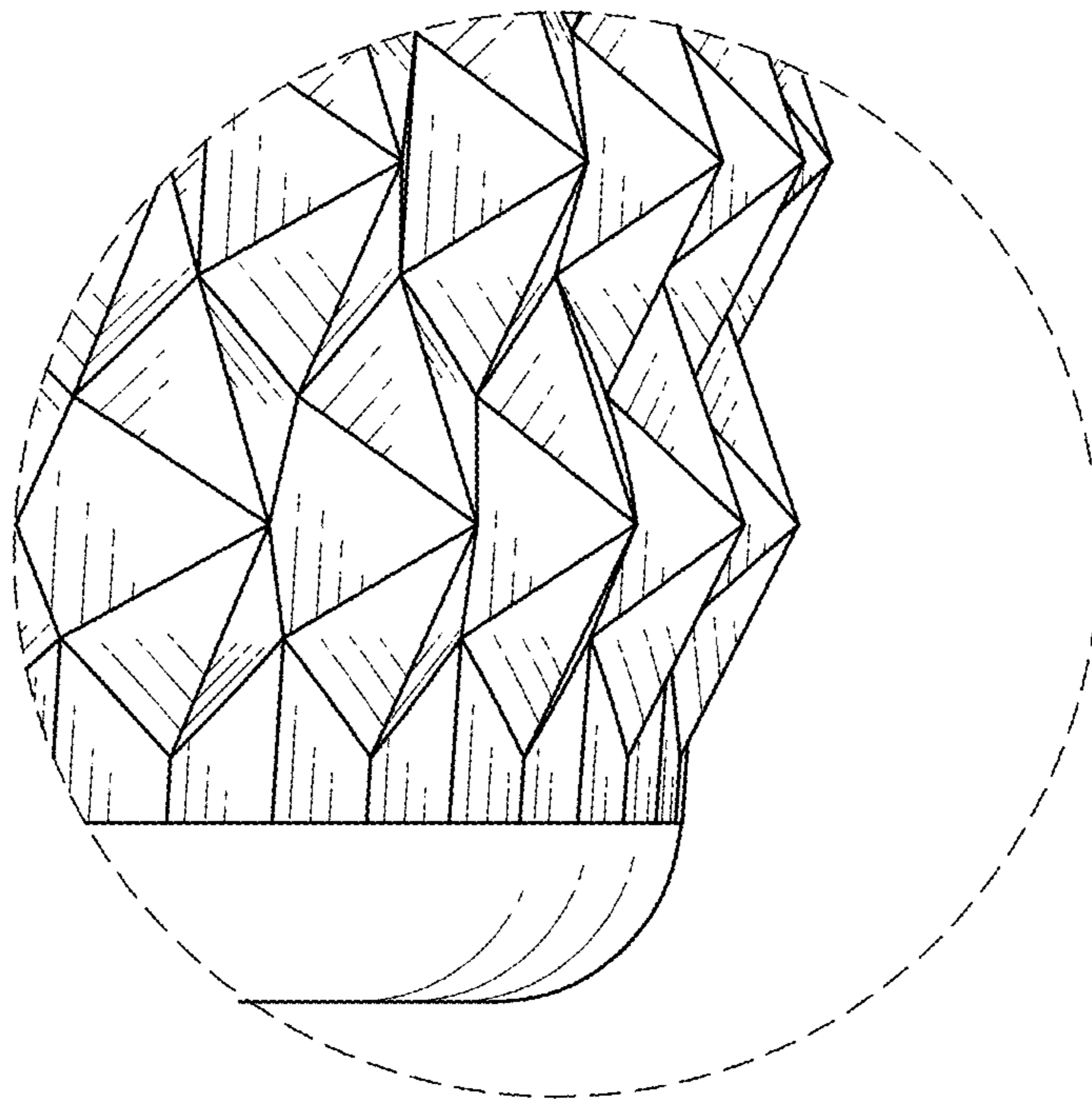


FIG.10