



US00D963407S

(12) **United States Design Patent** (10) **Patent No.:** **US D963,407 S**
Kriebel et al. (45) **Date of Patent:** **** Sep. 13, 2022**

(54) **BEVERAGE DISPENSING MACHINE**

FOREIGN PATENT DOCUMENTS

(71) Applicant: **Accenture Global Solutions Limited**,
Dublin (IE)

BR 102012017010 7/2013
CA 2782071 6/2020

(Continued)

(72) Inventors: **Andrew Turner Kriebel**, San Francisco, CA (US); **Evan Isaac Timerding Gant**, Medford, MA (US); **Joongoo Lee**, Quincy, MA (US); **Julia Rue**, Cambridge, MA (US); **Philip Chung Yi Leung**, Quincy, MA (US)

OTHER PUBLICATIONS

Newhouse, Doug, "Sydney touch screen vending units," May 1, 2014, Travel Retail Business, www.trbusiness.com/regional-news/asia-pacific/touch-screen-vending-at-sydney/57231 (Year: 2014).*

(Continued)

(73) Assignee: **Accenture Global Solutions Limited**,
Dublin (IE)

Primary Examiner — Michelle E. Wilson

Assistant Examiner — Arva P Adams

(**) Term: **15 Years**

(74) *Attorney, Agent, or Firm* — Fish & Richardson P.C.

(21) Appl. No.: **29/695,904**

(57) **CLAIM**

(22) Filed: **Jun. 24, 2019**

The ornamental design for a beverage dispensing machine, substantially as shown and described.

(51) **LOC (13) Cl.** **07-06**

(52) **U.S. Cl.**

USPC **D7/397**; D7/306

(58) **Field of Classification Search**

USPC D7/300, 305–313, 397–399, 405, 665;
D10/49, 106.1, 106.95; D13/158, 162,
D13/163, 171, 177; D14/307, 444, 446;
D15/82; D20/1, 10, 42; D23/207, 208

CPC A47J 19/00; A47J 19/02; A47J 19/023;
A47J 19/027; A47J 19/06; A47J 31/005;
A47J 31/0576; A47J 31/0657; A47J
31/24; A47J 31/3633; A47J 31/40; A47J
31/44; A47J 31/4403; A47J 31/4485;
A47J 31/46;

(Continued)

DESCRIPTION

FIG. 1 is a front perspective view of a beverage dispensing machine.

FIG. 2 is a bottom view of the beverage dispensing machine of FIG. 1.

FIG. 3 is a top view of the beverage dispensing machine of FIG. 1.

FIG. 4 is a right-side view of the beverage dispensing machine of FIG. 1.

FIG. 5 is a left-side view of the beverage dispensing machine of FIG. 1.

FIG. 6 is a front view of the beverage dispensing machine of FIG. 1; and,

FIG. 7 is a rear view of the beverage dispensing machine of FIG. 1.

The broken lines show portions of the beverage dispensing machine that form no part of the claimed design.

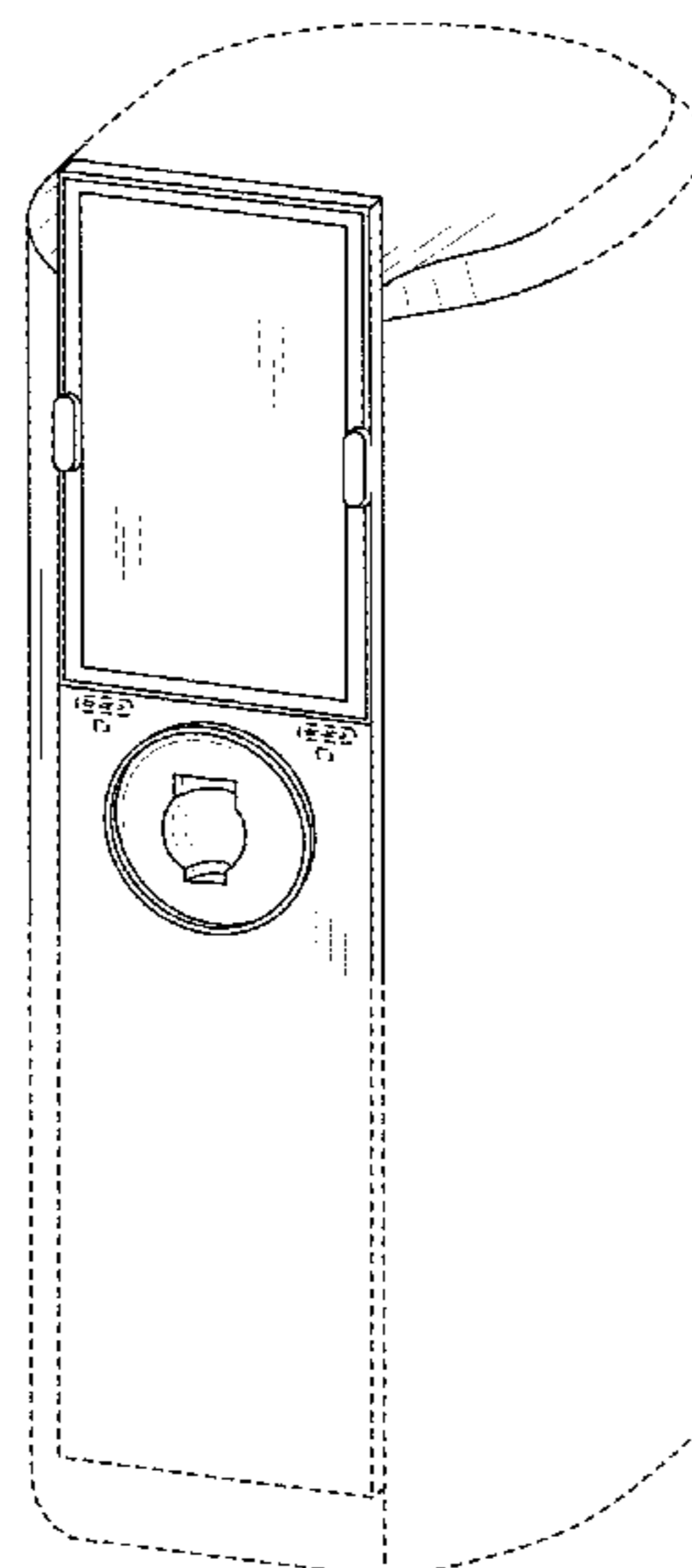
(56) **References Cited**

U.S. PATENT DOCUMENTS

D266,773 S * 11/1982 Poirier D20/1
5,086,817 A 2/1992 Murphy

(Continued)

1 Claim, 4 Drawing Sheets



(58) **Field of Classification Search**

CPC A47J 31/467; A47J 31/50; B67D 1/0022;
 B67D 1/0023; B67D 1/0024; B67D
 1/0041; B67D 1/0085; B67D 1/07; B67D
 1/0888; B67D 1/0894; B67D 1/16; B67D
 2001/0087; B67D 2001/0089; B67D
 2001/0091; C12G 3/06; G07F 13/06

See application file for complete search history.

(56) **References Cited**

U.S. PATENT DOCUMENTS

5,722,526 A 3/1998 Sharrard
 6,109,524 A 8/2000 Kanoh et al.
 6,173,068 B1 1/2001 Prokoski
 D466,513 S * 12/2002 Chen D14/446
 6,711,465 B2 3/2004 Tomassi
 7,263,220 B2 8/2007 Crandall et al.
 D589,738 S * 4/2009 Michler D7/309
 D590,890 S * 4/2009 King D20/39
 7,529,411 B2 5/2009 Haupt et al.
 D614,629 S * 4/2010 Wang D14/444
 D639,800 S * 6/2011 Magruder D14/307
 D643,239 S * 8/2011 Wang B67D 1/0894
 D7/306
 D643,682 S * 8/2011 Asthon B67D 1/0022
 D7/397
 D646,105 S * 10/2011 Deo D7/306
 8,290,281 B2 10/2012 Xiao
 8,331,632 B1 12/2012 Mohanty et al.
 8,355,530 B2 1/2013 Park et al.
 D692,952 S * 11/2013 d'Amore D20/8
 8,582,835 B2 11/2013 Cavallini
 8,655,732 B1 2/2014 Wilinski et al.
 D704,491 S * 5/2014 Van Dyke D7/305
 D710,643 S * 8/2014 Broen D7/306
 8,848,986 B2 9/2014 Cavallini
 D716,093 S * 10/2014 Jakeman D7/306
 8,958,607 B2 2/2015 Juveneton et al.
 D731,840 S * 6/2015 Cha D7/306
 9,076,030 B2 7/2015 Cavallini
 9,135,621 B2 9/2015 Fisher et al.
 9,154,727 B2 10/2015 Sato et al.
 9,202,121 B2 12/2015 Cavallini
 9,430,709 B2 8/2016 Juveneton et al.
 D769,569 S * 10/2016 Kennedy D99/28
 D778,096 S * 2/2017 Broen D7/306
 D781,843 S * 3/2017 Horn, II D14/307
 D782,467 S * 3/2017 Bladwell D14/307
 9,639,769 B2 5/2017 Juveneton et al.
 D846,328 S * 4/2019 Tan D7/306
 10,252,900 B2 4/2019 Cook
 D850,438 S * 6/2019 Koenigsknecht D14/307
 D853,075 S * 7/2019 Block D99/28
 10,726,246 B1 * 7/2020 McClellan B67D 1/0022
 10,947,103 B2 3/2021 Gant et al.
 10,988,365 B2 4/2021 Gant et al.
 2002/0087413 A1 7/2002 Mahaffy et al.
 2002/0132663 A1 9/2002 Cumbers
 2002/0136435 A1 9/2002 Prokoski
 2003/0088333 A1 5/2003 Liff et al.
 2003/0150907 A1 8/2003 Metcalf et al.
 2003/0174868 A1 9/2003 Adachi et al.
 2004/0061796 A1 4/2004 Honda et al.
 2004/0069590 A1 4/2004 Corrick et al.
 2004/0170318 A1 9/2004 Crandall et al.
 2005/0004897 A1 1/2005 Lipson et al.
 2005/0018894 A1 1/2005 Couwenhoven et al.
 2006/0067573 A1 3/2006 Parr et al.
 2006/0157152 A1 7/2006 Wolski et al.
 2006/0204107 A1 9/2006 Dugan et al.
 2006/0274921 A1 12/2006 Rowe
 2007/0098303 A1 5/2007 Gallagher et al.
 2007/0127787 A1 6/2007 Castleman et al.
 2007/0239565 A1 10/2007 Pentel
 2008/0025576 A1 1/2008 Li et al.

2008/0170129 A1 7/2008 Yi et al.
 2008/0212899 A1 9/2008 Gokturk et al.
 2008/0269947 A1 10/2008 Beane et al.
 2009/0060288 A1 3/2009 Myers et al.
 2009/0080715 A1 3/2009 van Beek et al.
 2009/0135188 A1 5/2009 Ding et al.
 2009/0136100 A1 5/2009 Shinohara
 2009/0210240 A1 8/2009 Benschop et al.
 2009/0219405 A1 9/2009 Kaneda et al.
 2009/0229699 A1 9/2009 Arcuri
 2010/0014720 A1 1/2010 Hoyos et al.
 2010/0078290 A1 4/2010 Chang
 2010/0138037 A1 6/2010 Adelberg et al.
 2010/0158319 A1 6/2010 Jung et al.
 2010/0253801 A1 10/2010 Konishi
 2011/0074971 A1 3/2011 Kwon
 2011/0188712 A1 8/2011 Yoo et al.
 2011/0267259 A1 11/2011 Tidemand et al.
 2011/0298583 A1 12/2011 Libby et al.
 2011/0320037 A1 12/2011 Frugone
 2012/0002880 A1 1/2012 Lipson et al.
 2012/0075452 A1 3/2012 Ferren
 2012/0121193 A1 5/2012 Lipson et al.
 2012/0200689 A1 8/2012 Friedman et al.
 2012/0200729 A1 8/2012 Hoda et al.
 2013/0016882 A1 1/2013 Cavallini
 2013/0113941 A1 5/2013 Yoneyama
 2013/0215319 A1 8/2013 Tomita et al.
 2013/0242140 A1 9/2013 Uemura et al.
 2014/0037156 A1 2/2014 Cavallini
 2014/0093140 A1 4/2014 Juveneton et al.
 2014/0109023 A1 4/2014 Murillo et al.
 2014/0369611 A1 12/2014 Takeuchi
 2014/0376813 A1 12/2014 Hongu et al.
 2015/0003692 A1 1/2015 Cavallini
 2015/0139497 A1 5/2015 Juveneton et al.
 2015/0144653 A1 * 5/2015 Kline B67D 1/0888
 222/1
 2015/0248764 A1 9/2015 Keskin et al.
 2015/0253845 A1 9/2015 Kempinski et al.
 2015/0310289 A1 10/2015 Cavallini
 2016/0098882 A1 4/2016 Holdych et al.
 2016/0155127 A1 6/2016 Hartman
 2016/0335515 A1 11/2016 Juveneton et al.
 2016/0379287 A1 12/2016 Dabiri
 2017/0092150 A1 3/2017 Aljahdali et al.
 2017/0277945 A1 9/2017 Budihal et al.
 2018/0029859 A1 2/2018 Hevia et al.
 2019/0050921 A1 2/2019 Ryner et al.
 2019/0206174 A1 7/2019 Miu et al.
 2019/0251562 A1 8/2019 Dabiri
 2019/0340418 A1 11/2019 Zecchini et al.
 2019/0377963 A1 12/2019 Hamid et al.
 2020/0327759 A1 10/2020 Neiman et al.
 2020/0337333 A1 * 10/2020 Mann A47J 43/046
 2020/0399111 A1 12/2020 Gant et al.
 2020/0401792 A1 12/2020 McClellan et al.
 2021/0002120 A1 * 1/2021 Gant B67D 1/0894
 2021/0171331 A1 * 6/2021 Wilson B67D 1/0888
 2021/0188613 A1 6/2021 Gant et al.
 2021/0264183 A1 8/2021 Wolf et al.
 2021/0264583 A1 8/2021 Wolf et al.

FOREIGN PATENT DOCUMENTS

CN 302333824 * 2/2013
 CN 303871469 * 9/2016
 CN 304864853 * 10/2018
 CN 305837979 * 6/2020
 DE 102014106249 11/2015
 EP 1835440 9/2007
 EP 1990770 11/2008
 EP 2546782 6/2014
 EP 2713307 5/2018
 EP 3417429 12/2018
 EP 3525134 8/2019
 GB 2355054 4/2001
 GB 9007437447-0001 * 12/2019
 JP 2003221098 8/2003

(56)

References Cited

FOREIGN PATENT DOCUMENTS

JP	D1535653	*	10/2015
KR	300893674.0000	*	2/2017
KR	300945767.0000	*	3/2018
KR	301004074.0000	*	4/2019
NO	20150826-0004	*	3/2016
WO	WO 03033397		4/2003
WO	WO 2006023046		3/2006
WO	WO 2007076584		7/2007
WO	WO 2017098289		6/2017
WO	WO 2018236758		12/2018
WO	WO-2019/046174	A1 *	3/2019
WO	WO 2019056579		3/2019

OTHER PUBLICATIONS

Hall, Brian, "Wild satisfy fans' thirst for beer-vending innovation," Jan. 7, 2015, FOX Sports, www.foxsports.com/north/story/minnesota-wild-satisfy-fans-thirst-for-beer-vending-innovation-010715 (Year: 2015).*

Parlevel Systems, "Micro Market Mini—Small Kiosk. Big Results," Nov. 10, 2017, Parlevel Systems, <https://web.archive.org/web/20171110001928/http://www.parlevelsystems.com/micro-market-mini/> (Year: 2017).*

Williams, Brett, "The world's smartest vending machine will be used to sell weed, of course," Apr. 20, 2017, Mashable, <https://mashable.com/article/smart-weed-vending-machines> (Year: 2017).*

Chalmers, Vanessa, "Big Muck! Investigation finds FAECES on every McDonald's touchscreen," Nov. 29, 2018, Daily Mail Online, www.dailymail.co.uk/health/article-6438239/Investigation-finds-FAECES-McDonalds-touchscreen-unit-disinfectant-not-strong-enough.html (Year: 2018).*

Maras, Elliot, "Self-order kiosks dominate NRA Show," May 31, 2018, Fast Casual, www.fastcasual.com/articles/self-order-kiosks-dominate-nra-show/ (Year: 2018).*

Katwala, Amit, "Here's how Nike, Alibaba and Walmart are reinventing retail," Dec. 11, 2018, Wired UK, www.wired.co.uk/article/future-of-retail (Year: 2018).*

Jofemar USA Inc, "Open 24 Automated Micro Markets by Jofemar USA," Apr. 10, 2018, YouTube.com, www.youtube.com/watch?v=WnkZFS4qa9s (Year: 2018).*

AU Office Action in Australian Appln. No. 2020204186, dated Jul. 28, 2020, 11 pages.

AU Office Action in Australian Appln. No. 2020204186, dated Jun. 7, 2021, 3 pages.

EP Search Report in European Appln. No. 20175201.1, dated Oct. 26, 2020, 8 pages.

Scott [online], "Buying Draft Beer from a Vending Machine in Japan", Youtube, May 17, 2013, retrieved on Jan. 27, 2020, <<https://www.youtube.com/watch?v=JNLW5vgKNw8>>, 1 page [Video Submission].

AU Office Action in Australian Appln. No. 2020204204, dated Aug. 24, 2020, 9 pages.

AU Office Action in Australian Appln. No. 2020204204, dated Aug. 4, 2021, 4 pages.

Aai et al., "Comparative Study on Blink Detection and Gaze Estimation Methods for HCI, in Particular, Gabor Filter Utilized Blink Detection Method," 2011 Eighth International Conference on Information Technology: New Generations, Las Vegas, NV, Apr. 11-13, 2011, 441-446.

Bai et al., "Is Physics-based Liveness Detection Truly Possible with a Single Image?" IEEE International Symposium on Circuits and Systems, Paris, France, May 30-Jun. 2, 2010, 3425-3428.

Kohreider et al., "Verifying Liveness by Multiple Experts in Face Biometrics," IEEE Computer Society Conference on Computer Vision and Pattern Recognition Workshops, Anchorage, AK, Jun. 23-28, 2008, 6 pages.

Li et al., "Live Face Detection Based on the Analysis of Fourier Spectra," Proceedings of SPIE 5404: Biometric Technology for Human Identification, Orlando, FL, Apr. 12-16, 2004, 296-303.

Martin, "La fusion d'informations," Polycopie de cours ENSIETA—Ref.: 1484, Janvier 2005, 120 pages (with verified partial English translation).

Schwartz et al., "Face Spoofing Detection through Partial Least Squares and Low-Level Descriptors," IEEE International Joint Conference on Biometrics, Washington, DC, Oct. 11-13, 2011, 8 pages.

Shafait et al., "Real Time Lip Motion Analysis for a Person Authentication System Using Near Infrared Illumination," IEEE International Conference on Image Processing, Atlanta, GA, Oct. 8-11, 2006, 1957-1960.

Tan et al., "Face Liveness Detection from a Single Image with Sparse Low Rank Bilinear Discriminative Model," 11th European Conference on Computer Vision, Heraklion, Crete, Greece, Sep. 5-11, 2010, 6:504-517.

Zhang et al., "Face Liveness Detection by Learning Multispectral Reflectance Distributions," IEEE International Conference on Automatic Face & Gesture Recognition, Santa Barbara, CA, Mar. 21-25, 2011, 436-441.

EP Search Report in European Appln. No. 21157867.9, dated Jul. 19, 2021, 9 pages.

EP Search Report in European Appln. No. 21157939.6, dated Jul. 13, 2021, 12 pages.

Mantecon et al., "Depth-based face recognition using local quantized patterns adapted for range data," 2014 IEEE International Conference on Image Processing, Paris, France, Oct. 27-30, 2014, 293-297.

* cited by examiner

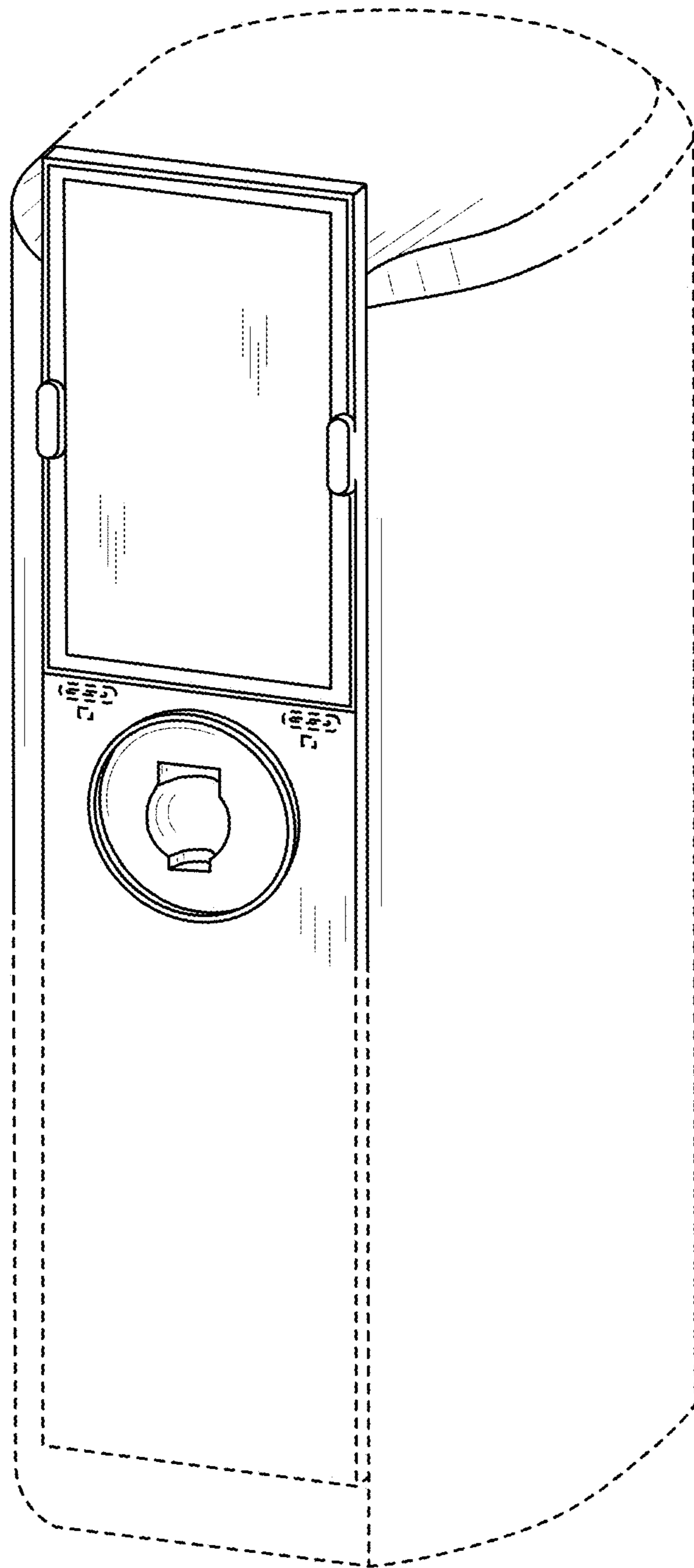


FIG. 1

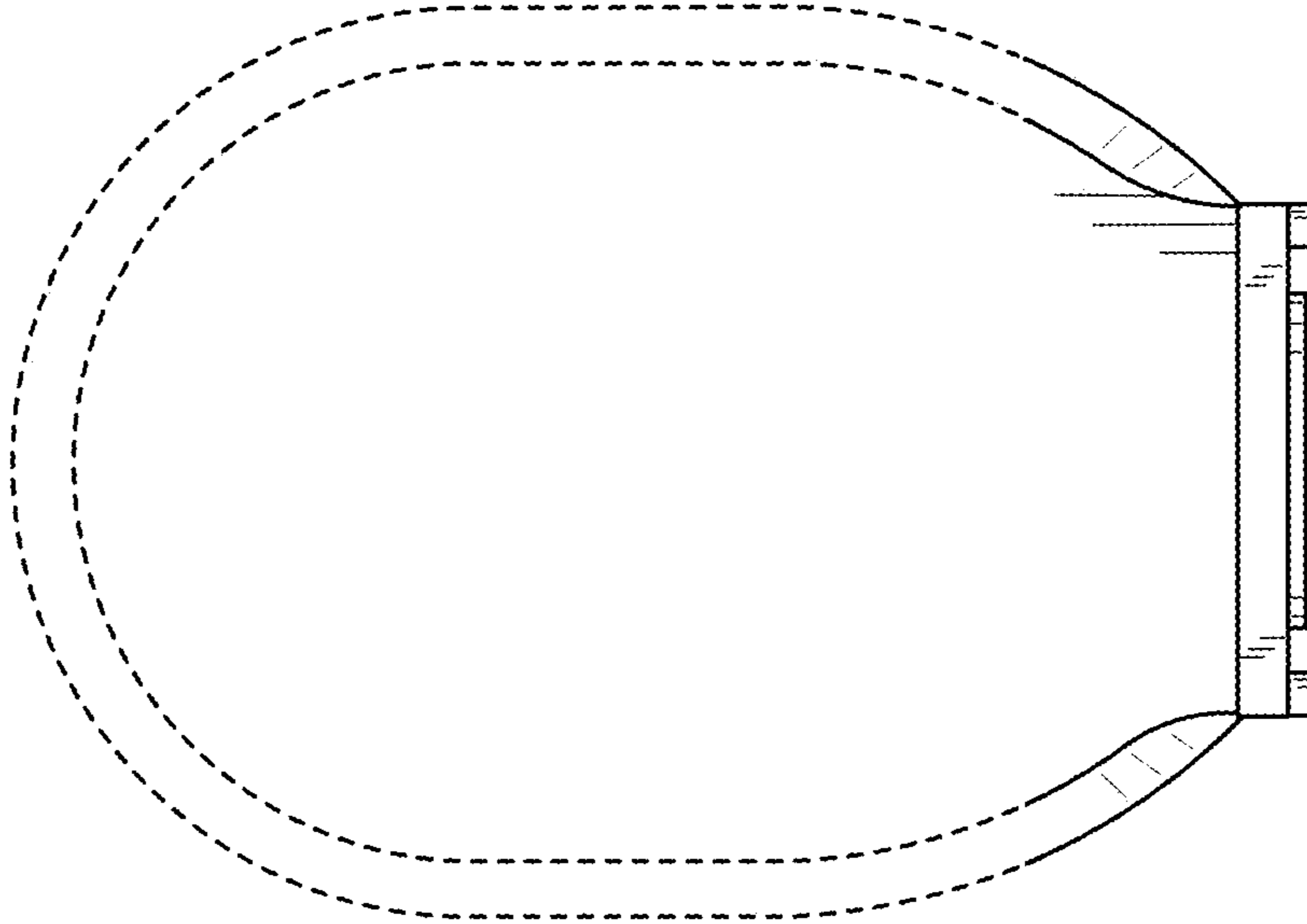


FIG. 2

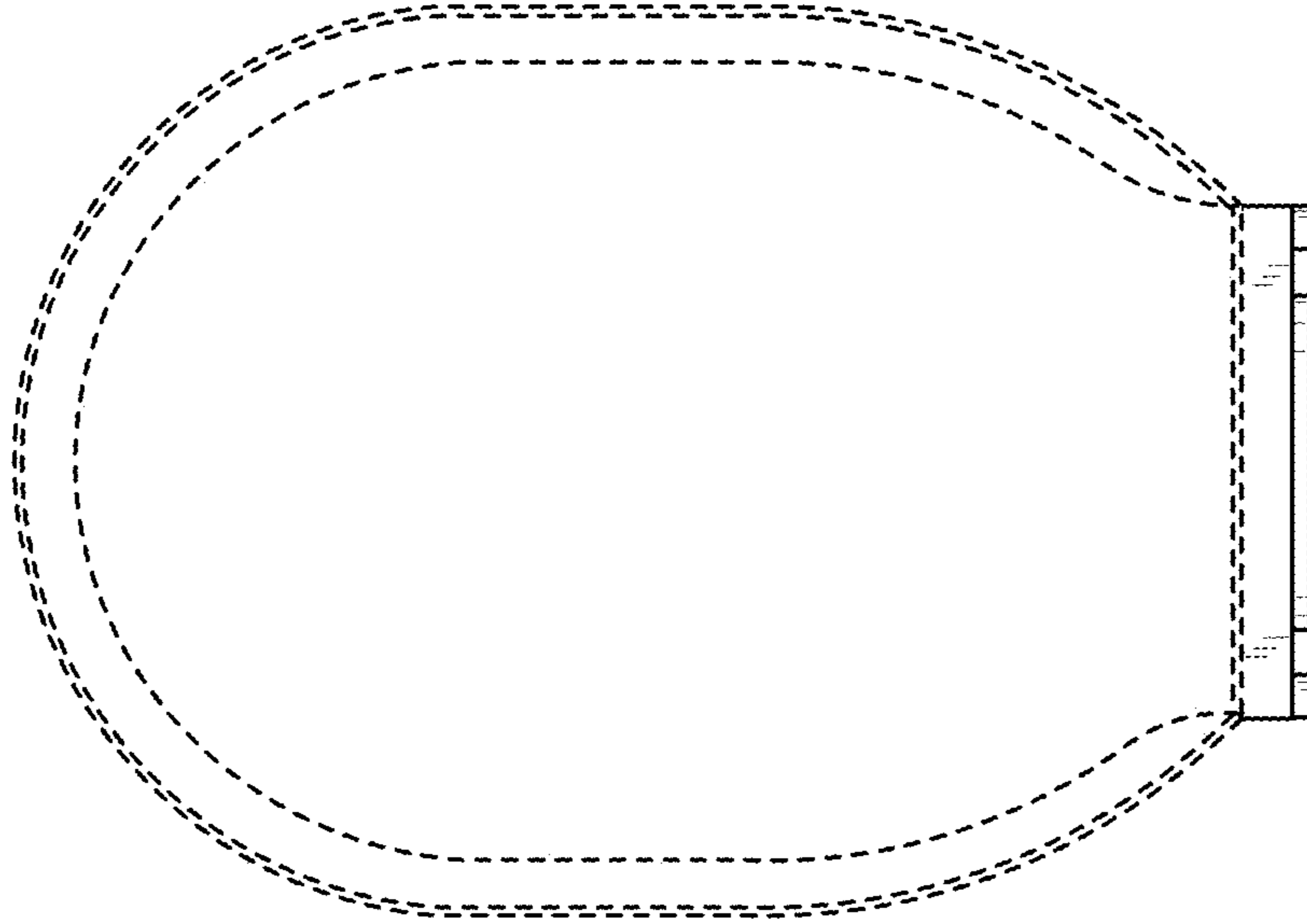


FIG. 3

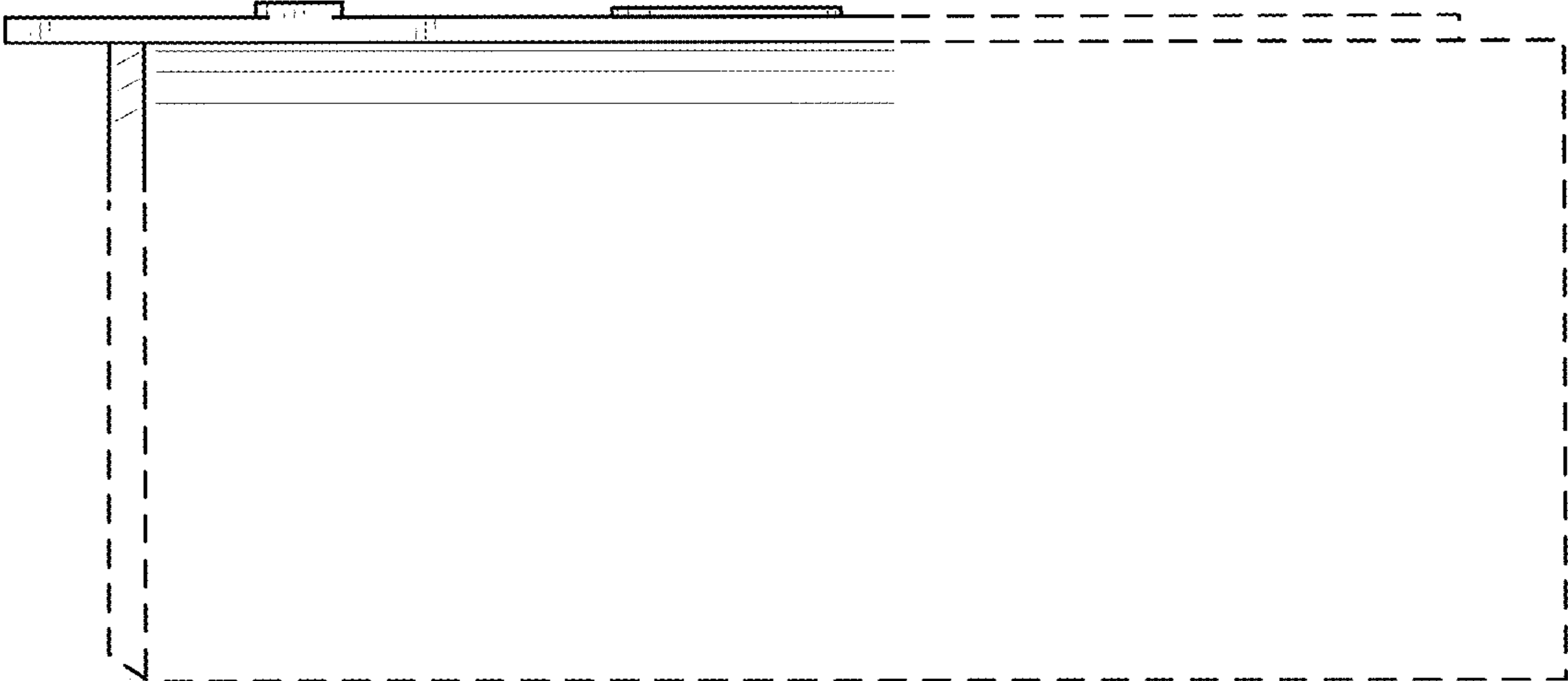


FIG. 5

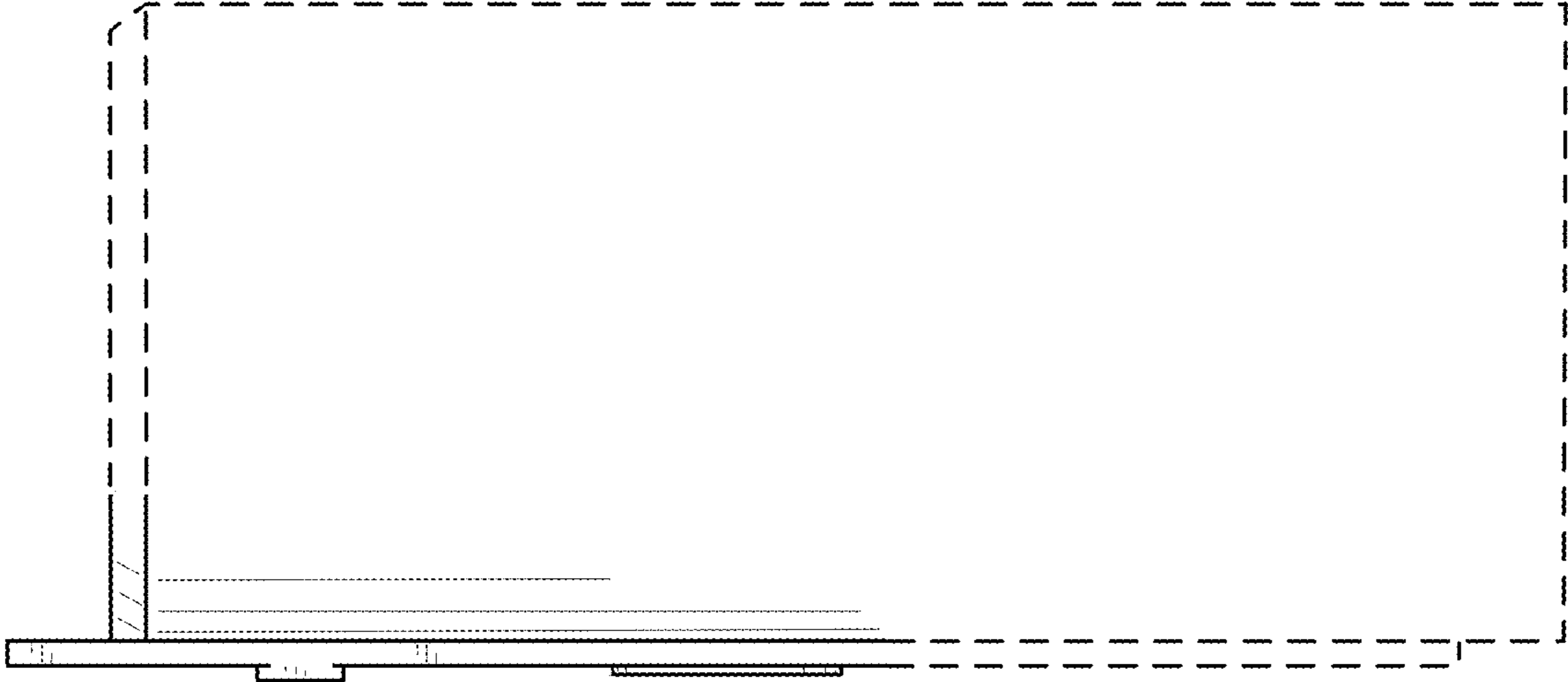


FIG. 4



FIG. 7

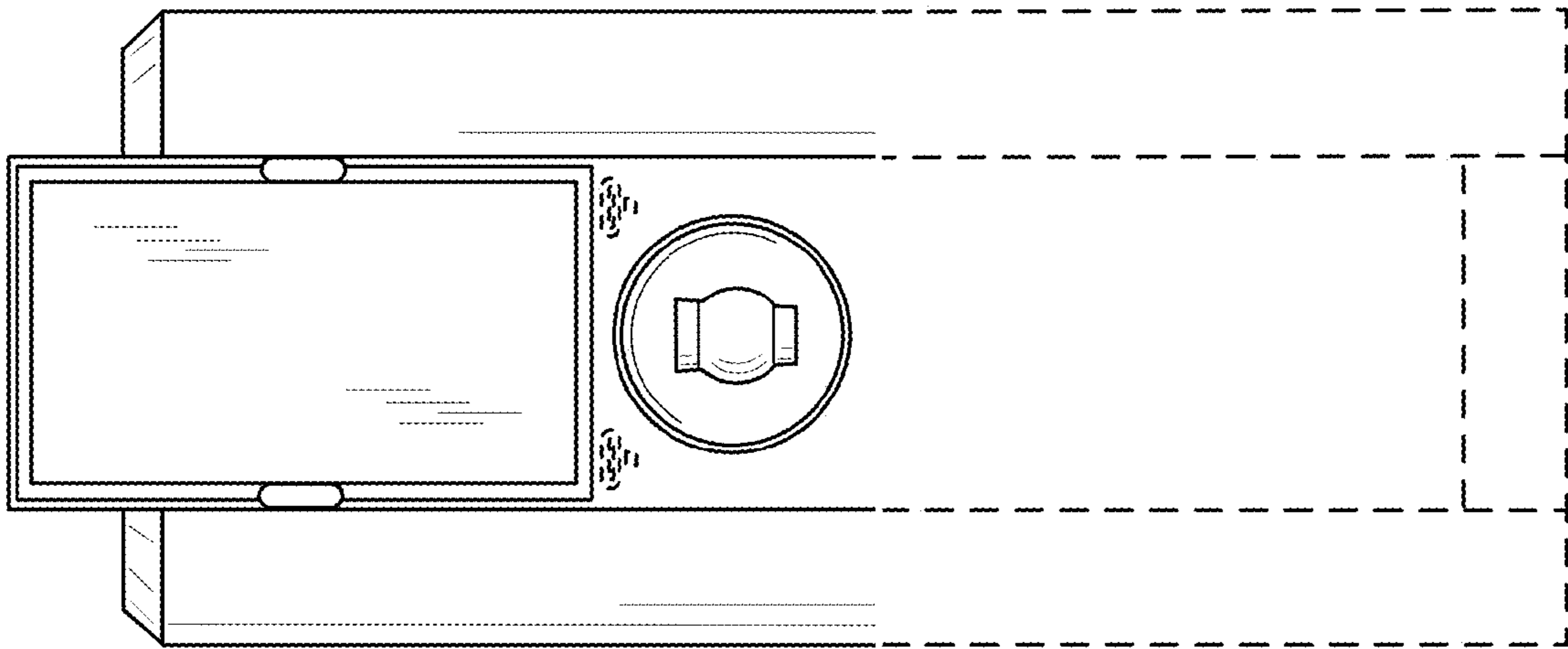


FIG. 6