



US00D963406S

(12) **United States Design Patent** (10) **Patent No.:** **US D963,406 S**  
**Boscic et al.** (45) **Date of Patent:** **\*\* Sep. 13, 2022**

(54) **COOKWARE LID HANDLE**  
(71) Applicant: **Dart Industries Inc.**, Orlando, FL (US)  
(72) Inventors: **Andrea Boscic**, Brussels (BE); **Junyu Ye**, Leuven (BE); **Antoon Keymeulen**, Aalst (BE); **Teo Sok Yee**, Singapore (SG)  
(73) Assignee: **Dart Industries Inc.**, Orlando, FL (US)  
(\*\*) Term: **15 Years**

(21) Appl. No.: **29/772,294**  
(22) Filed: **Mar. 1, 2021**  
(51) **LOC (13) Cl.** ..... **07-03**  
(52) **U.S. Cl.**  
USPC ..... **D7/393**; D7/395  
(58) **Field of Classification Search**  
USPC ..... D7/354-361, 393-395, 401.2, 402, 664  
CPC ..... A47J 45/06; A47J 45/08; A47J 45/061;  
A47J 45/062; A47J 45/071; A47J 45/072;  
A47J 45/085  
See application file for complete search history.

(56) **References Cited**  
U.S. PATENT DOCUMENTS  
D159,989 S \* 9/1950 Jones ..... D7/393  
D440,815 S \* 4/2001 Freed ..... D7/394  
D448,965 S \* 10/2001 Jang-Won ..... D7/358  
D525,080 S \* 7/2006 Katz ..... D7/394  
D526,159 S \* 8/2006 Schmidt ..... D7/393  
(Continued)

FOREIGN PATENT DOCUMENTS  
KR 3020170048613 \* 10/2017

OTHER PUBLICATIONS  
Uxcell Aluminum Non-Stick Pot Woks/ Stir Fry Pans Stainless Steel  
5-layer Compound Bottom with Glass Lid Silicone Spatula, 6L,

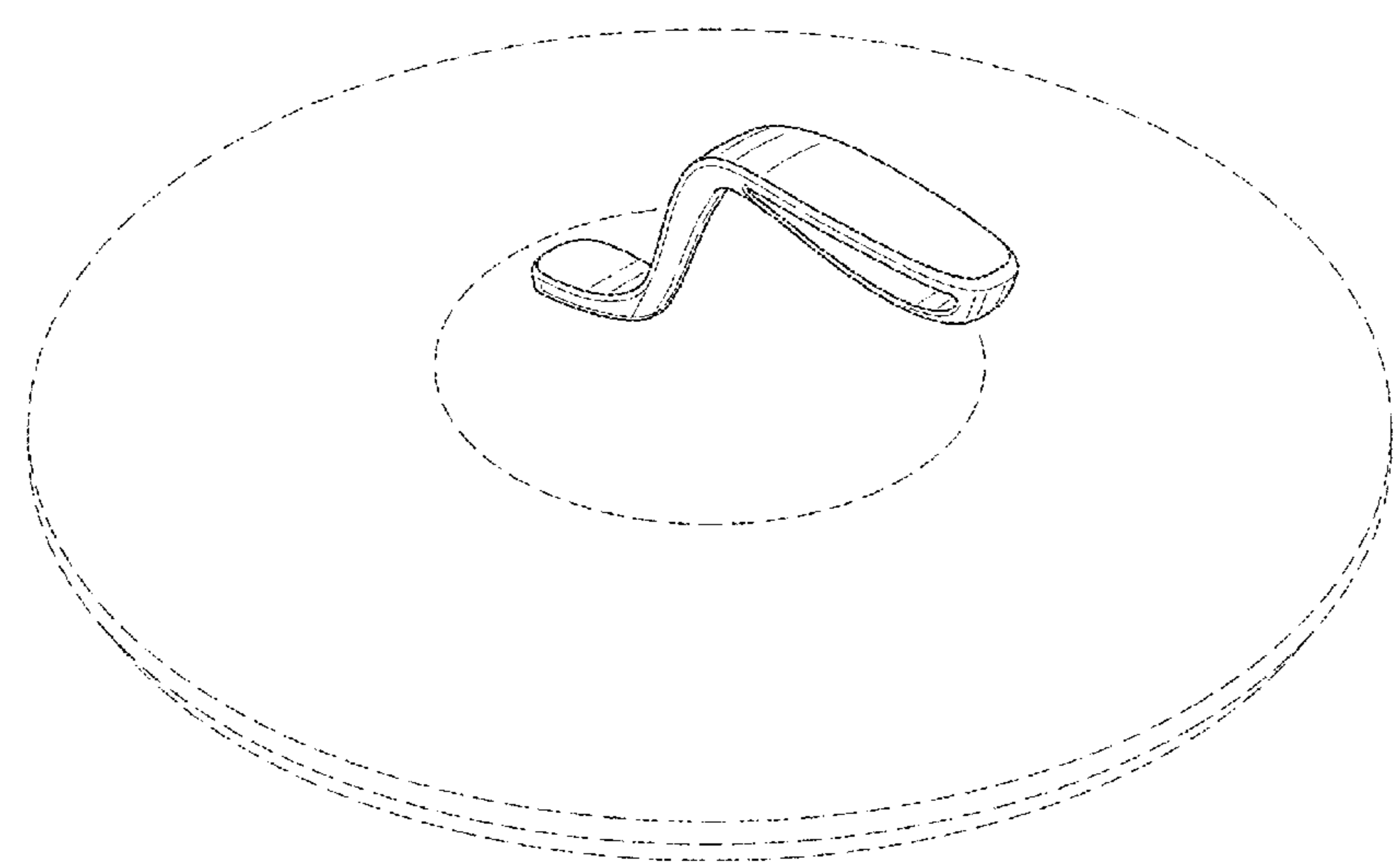
12.6 Inch, Cookware for Kitchen to Steam Bake Fry Boil Online, published date Aug. 27, 2020. Retrieved on Jul. 21, 2022 from URL: [https://www.amazon.com/uxcell-Aluminum-Non-Stick-Stainless-Comp.\\*](https://www.amazon.com/uxcell-Aluminum-Non-Stick-Stainless-Comp.*)

*Primary Examiner* — Omeed Agilee  
*Assistant Examiner* — Royner Mendoza  
(74) *Attorney, Agent, or Firm* — Taylor J. Ross

(57) **CLAIM**  
The ornamental design for a cookware lid handle, as shown and described.

**DESCRIPTION**  
FIG. 1 is a top, rear and left side isometric view of a cookware lid handle in a state of use, showing our new design;  
FIG. 2 is a bottom, rear and right side isometric view thereof;  
FIG. 3 is a top plan view thereof;  
FIG. 4 is a left side elevation view, the right side being a mirror image thereof;  
FIG. 5 is a rear elevation view thereof;  
FIG. 6 is a front elevation view thereof;  
FIG. 7 is a cross-sectional view taken along line 7-7 of FIG. 3;  
FIG. 8 is a top, rear and left side isometric view of a cookware lid handle showing the environment removed;  
FIG. 9 is a bottom, rear and right side isometric view thereof;  
FIG. 10 is a top plan view thereof;  
FIG. 11 is a bottom plan view thereof;  
FIG. 12 is a left side elevation view, the right side being a mirror image thereof;  
FIG. 13 is a rear elevation view thereof;  
FIG. 14 is a front elevation view thereof; and,  
FIG. 15 is a cross-sectional view taken along line 15-15 of FIG. 10.  
The broken lines shown in the drawings are included for the purpose of illustration environmental structure and form no part of the claimed design.

**1 Claim, 7 Drawing Sheets**



(56)

**References Cited**

U.S. PATENT DOCUMENTS

D527,578 S *	9/2006	Schmidt .....	D7/393
D621,208 S *	8/2010	Gilbert .....	D7/394
D623,011 S *	9/2010	Gilbert .....	D7/394
D650,628 S *	12/2011	Pallotto .....	D7/354
D674,653 S *	1/2013	Chen .....	D7/354
D674,655 S *	1/2013	Chen .....	D7/354
D674,660 S *	1/2013	Chen .....	D7/354
D681,392 S *	5/2013	Dichraff .....	D7/393
D731,852 S	6/2015	Pallotto et al.	
D746,099 S	12/2015	Pallotto et al.	
D749,896 S	2/2016	Pallotto et al.	
D753,951 S *	4/2016	Cornu .....	D7/393
D760,021 S *	6/2016	Lapsker .....	D7/394
D817,087 S *	5/2018	Silsby .....	D7/394

\* cited by examiner

FIG. 1

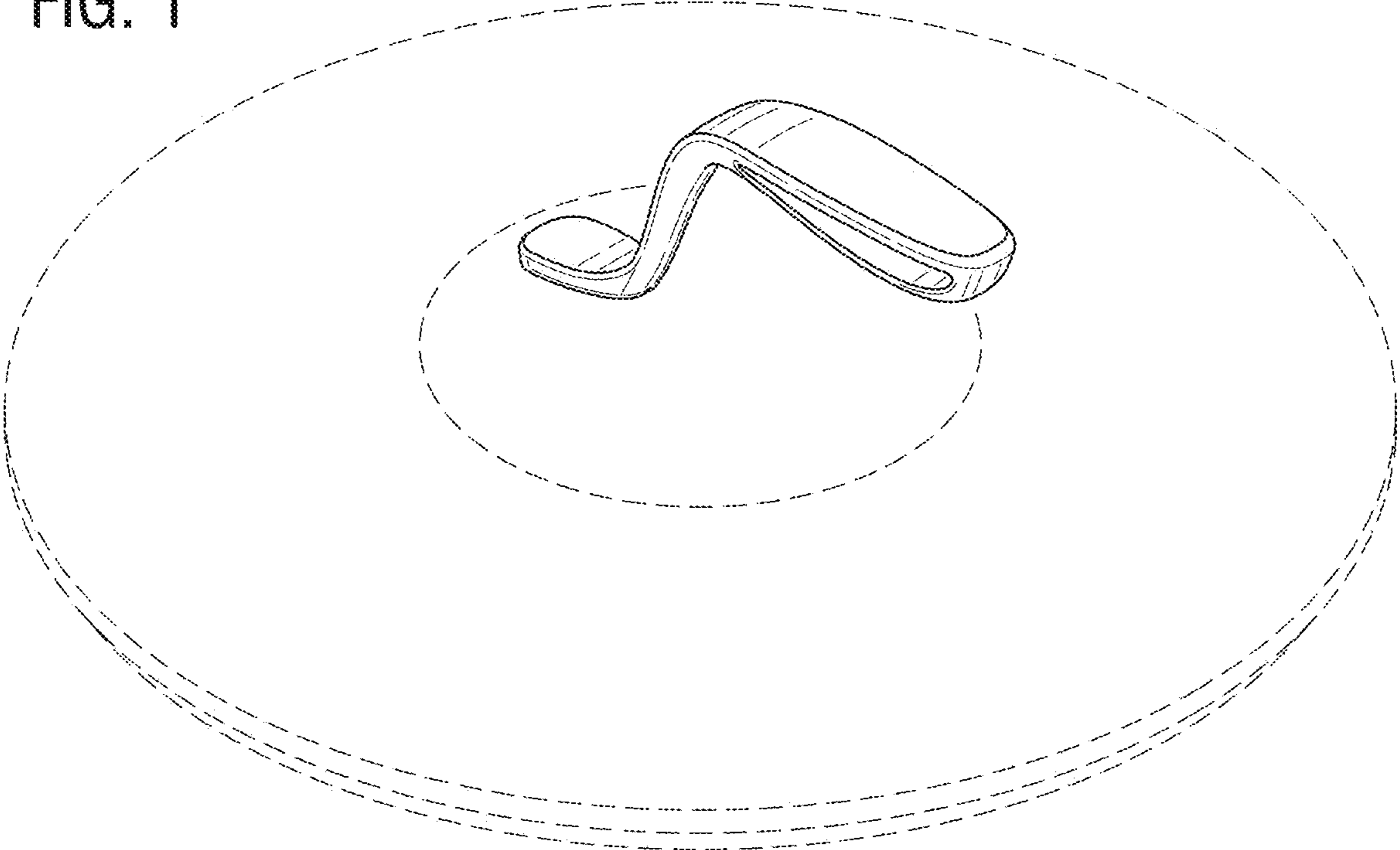


FIG. 2

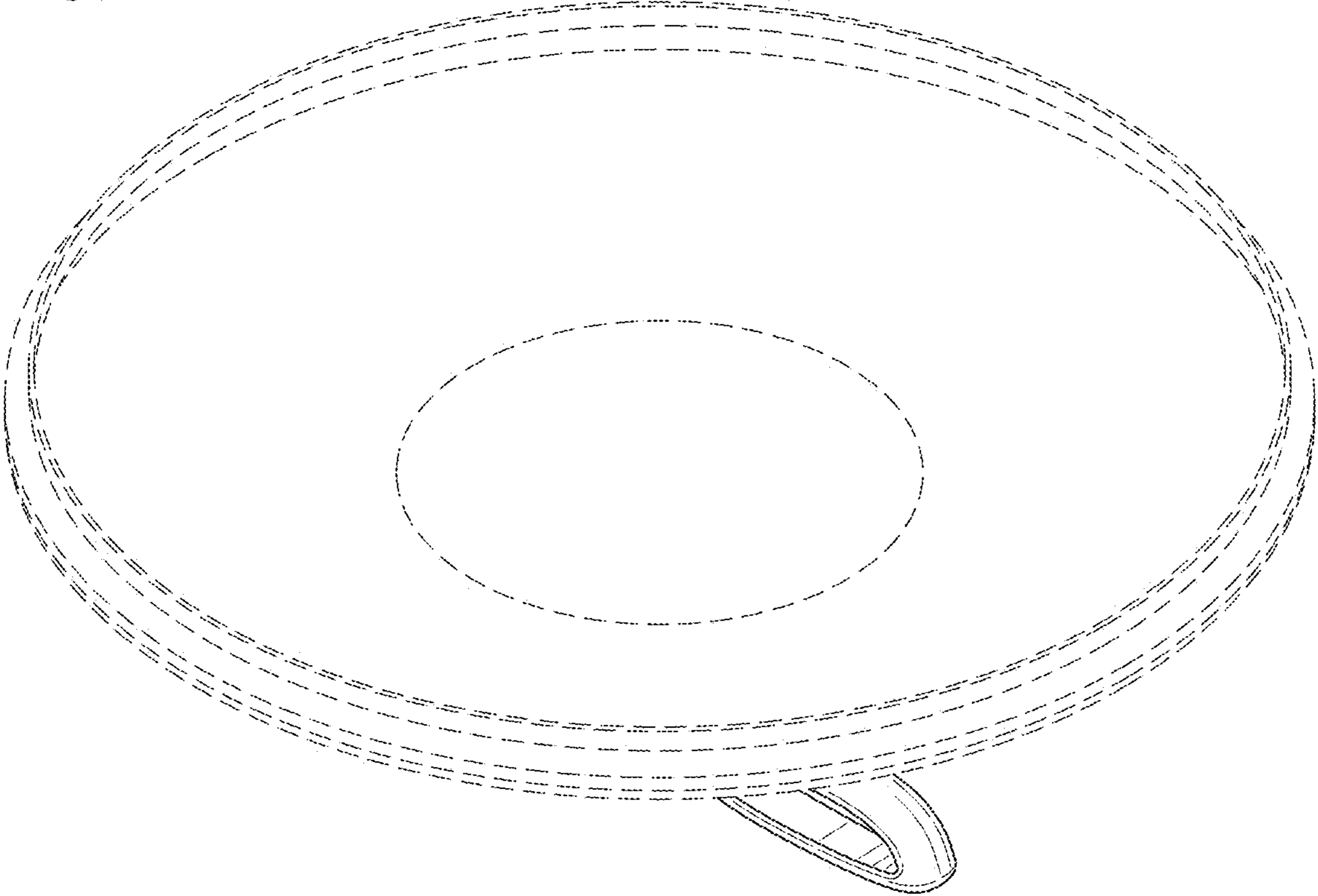


FIG. 3

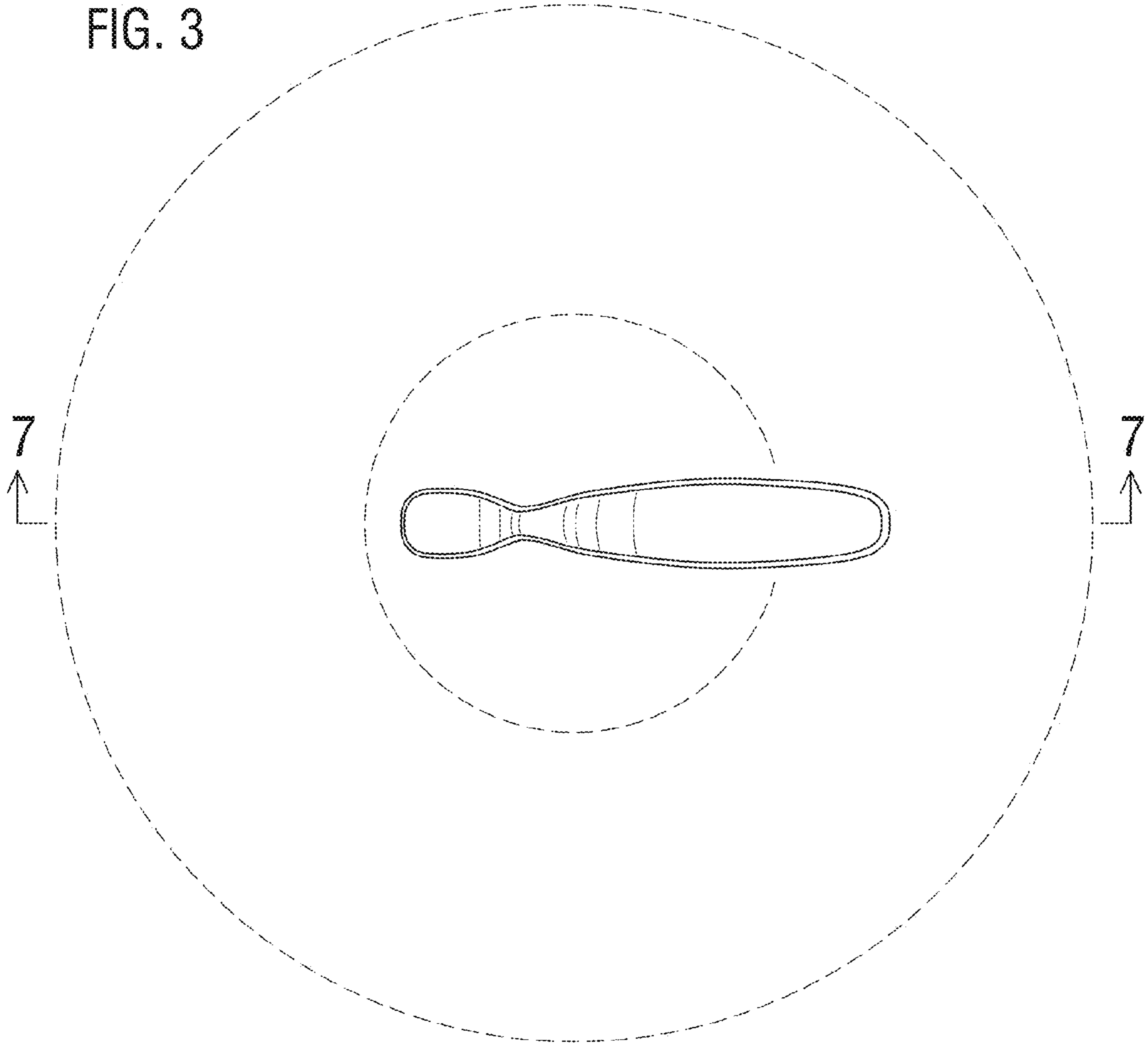


FIG. 4

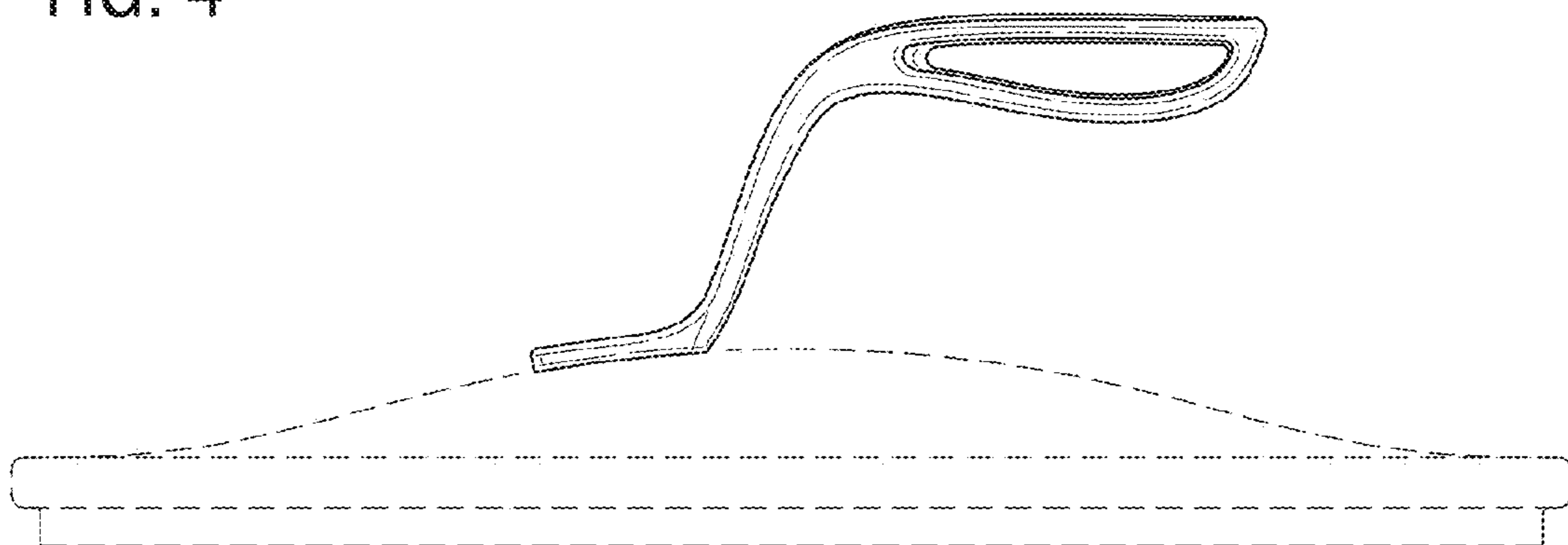


FIG. 5

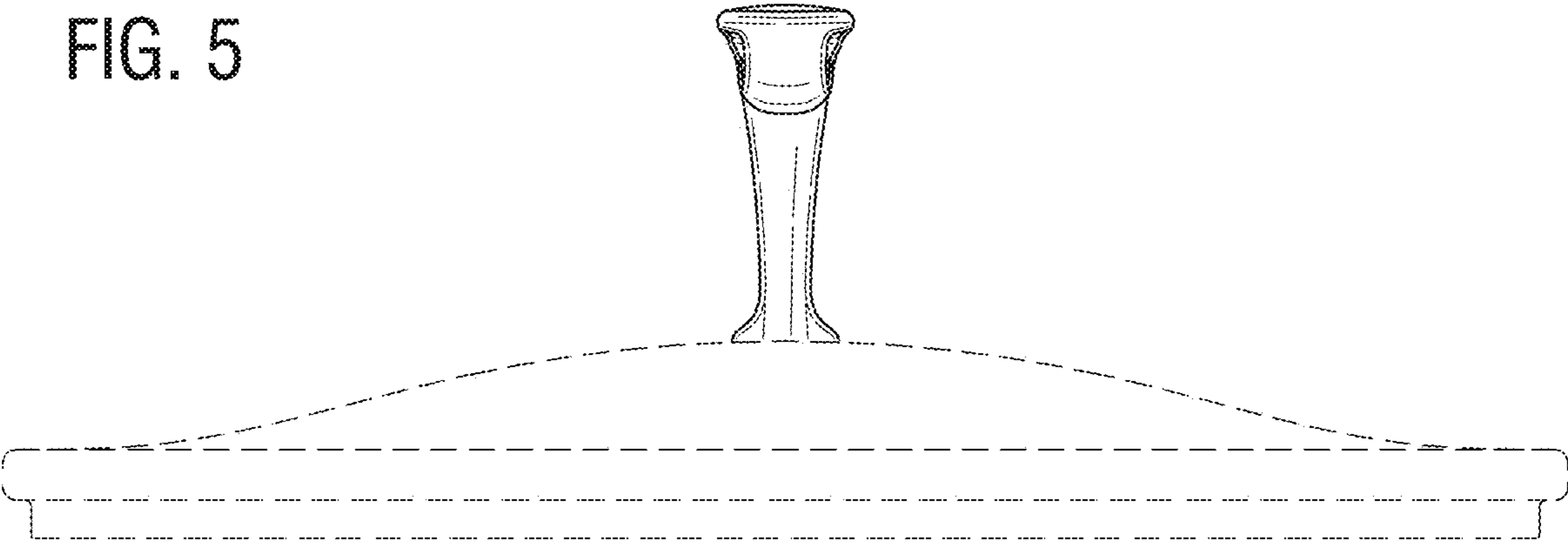


FIG. 6

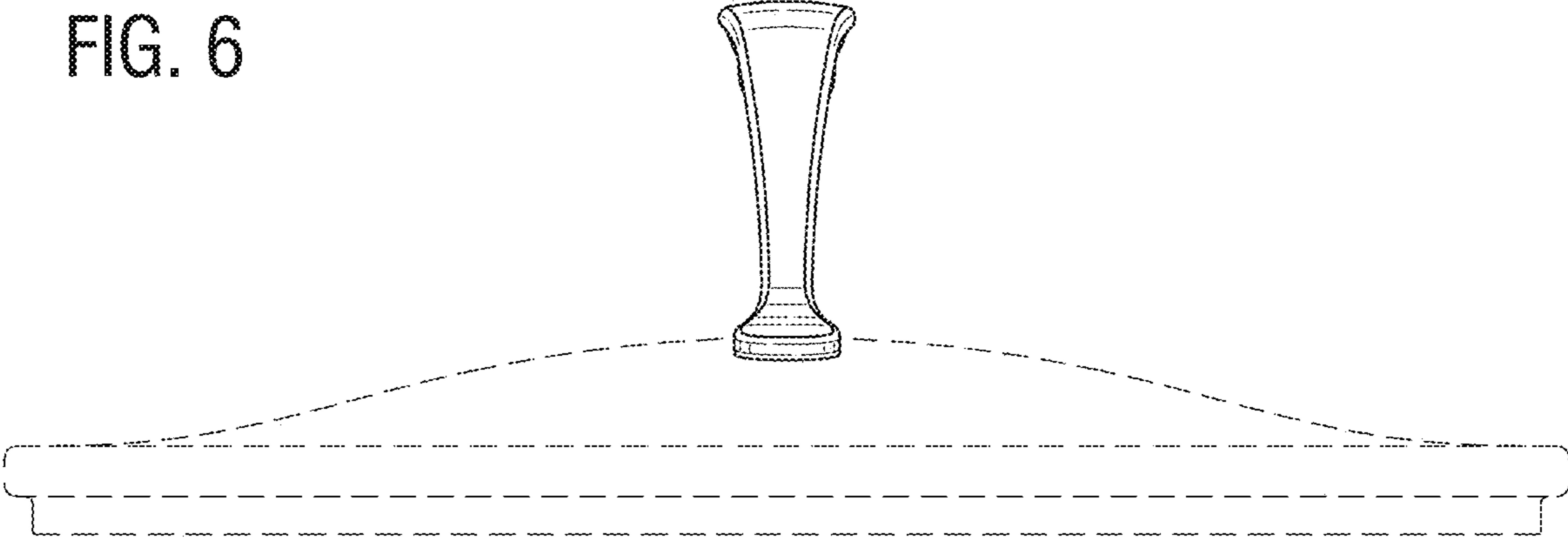


FIG. 7

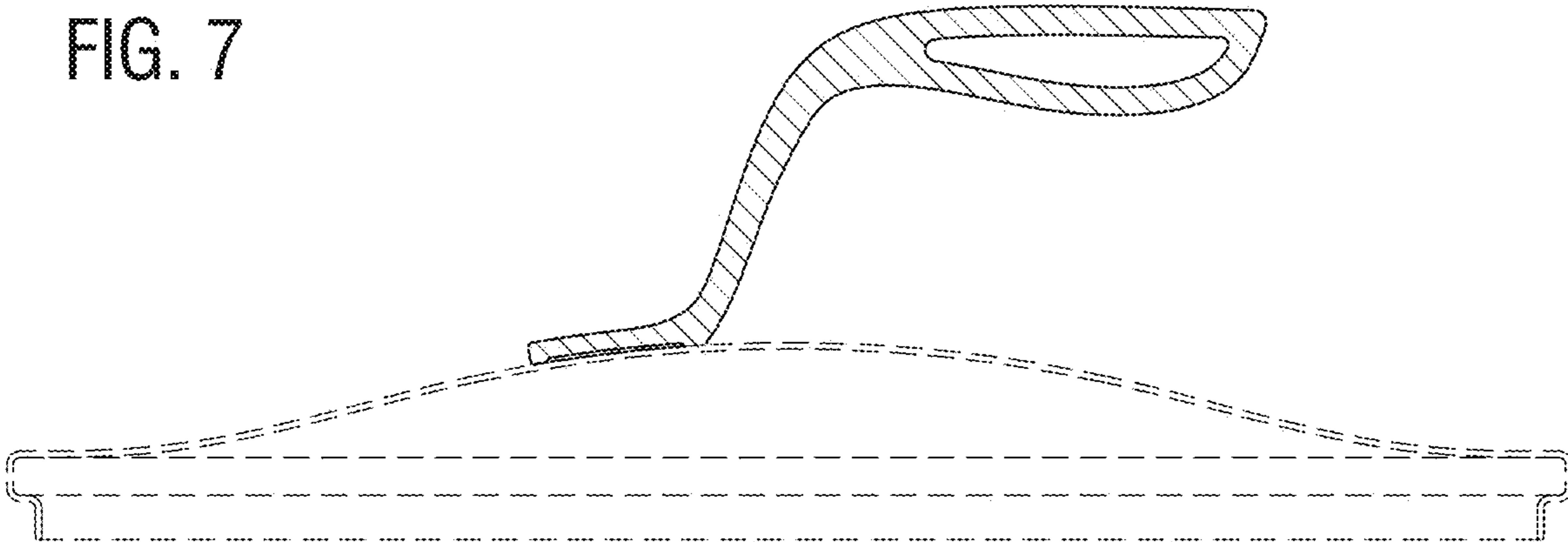


FIG. 8

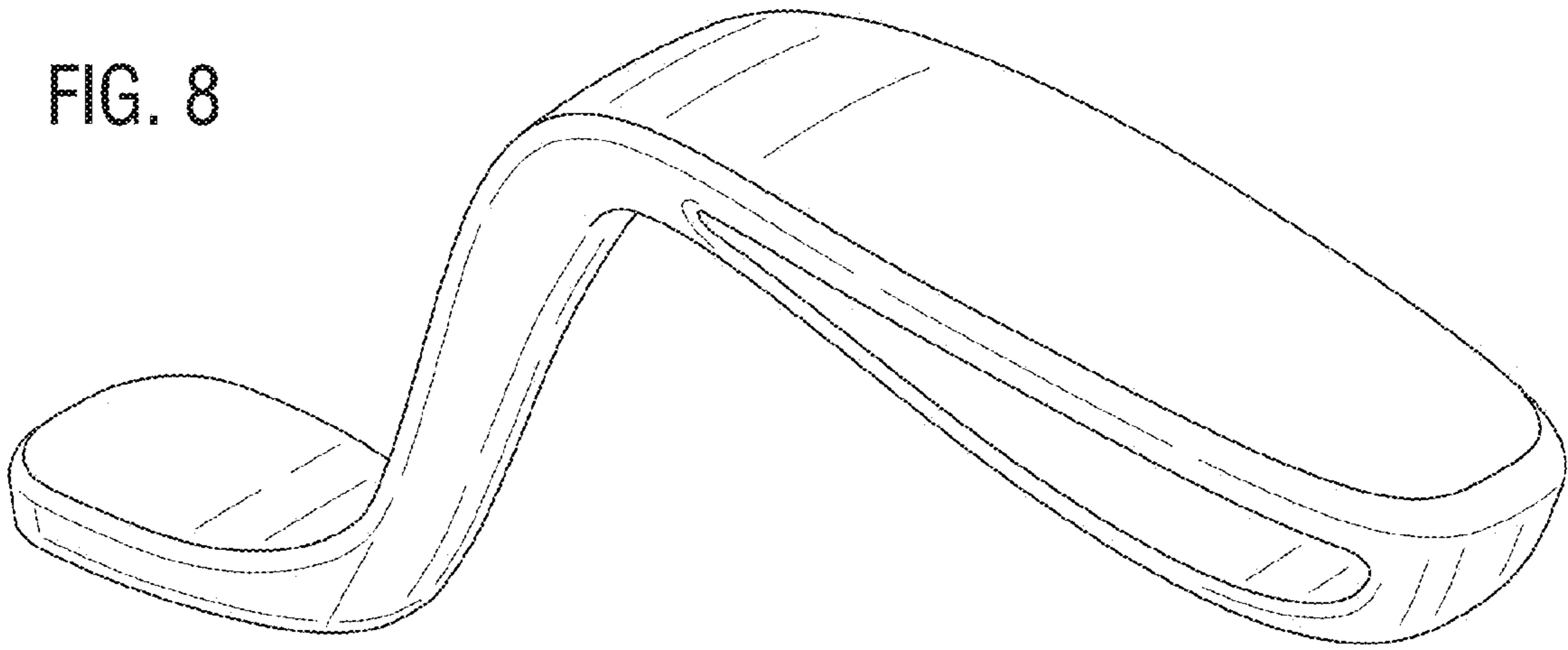


FIG. 9

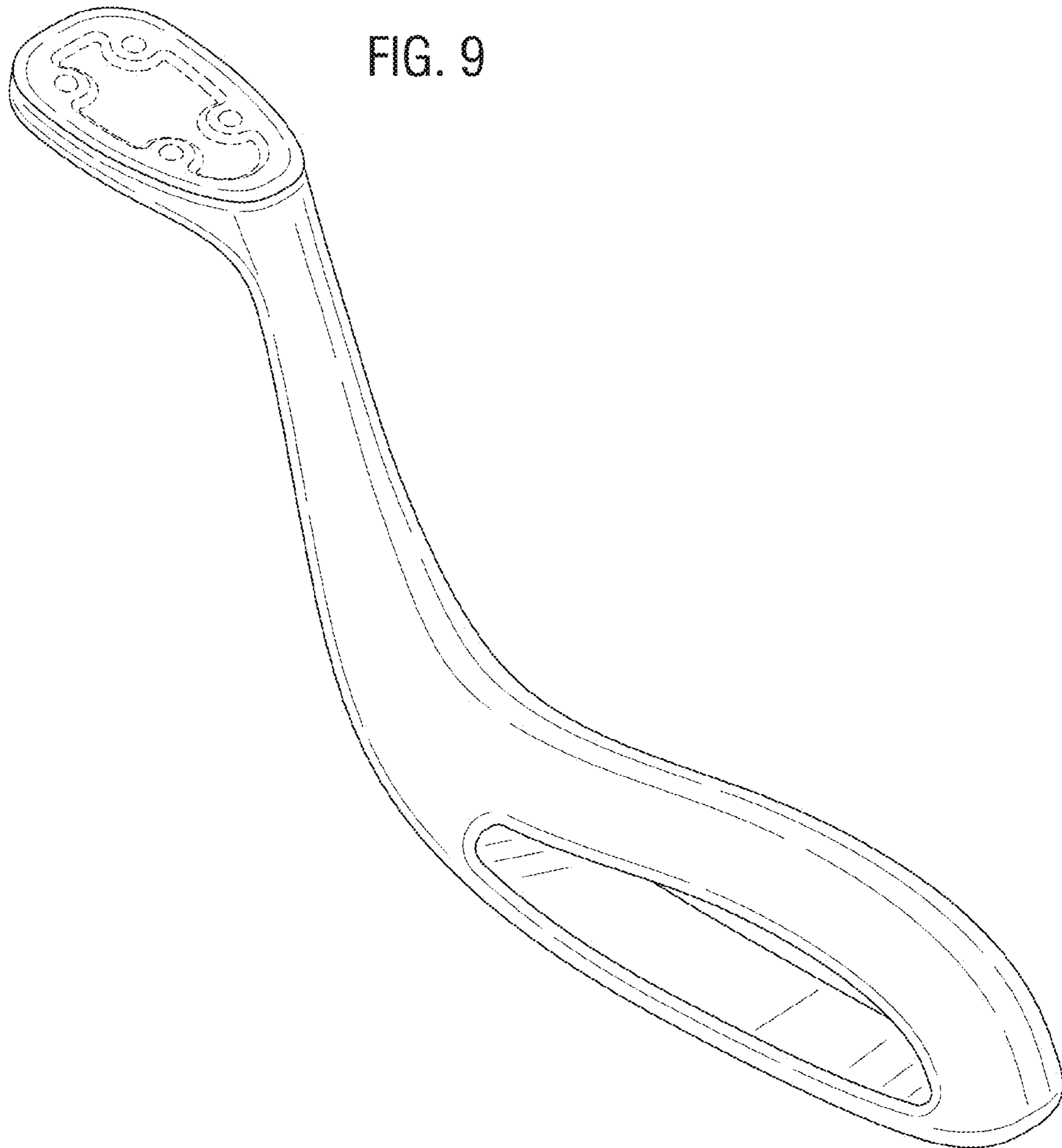


FIG. 10

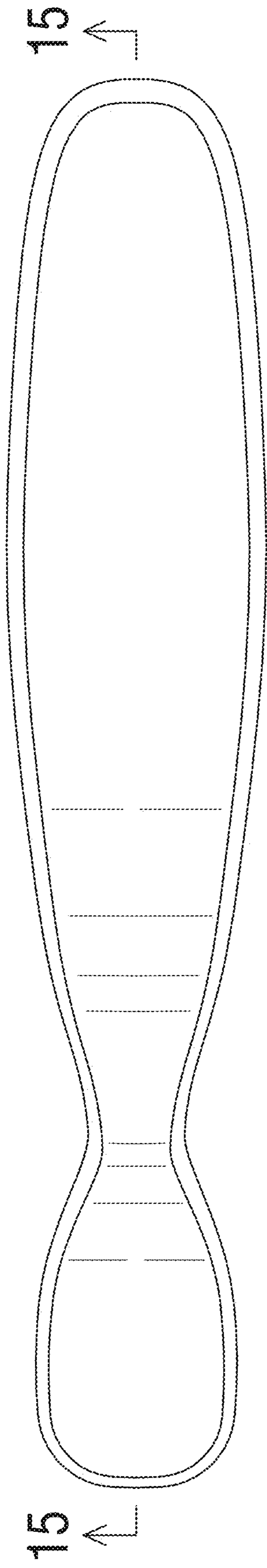
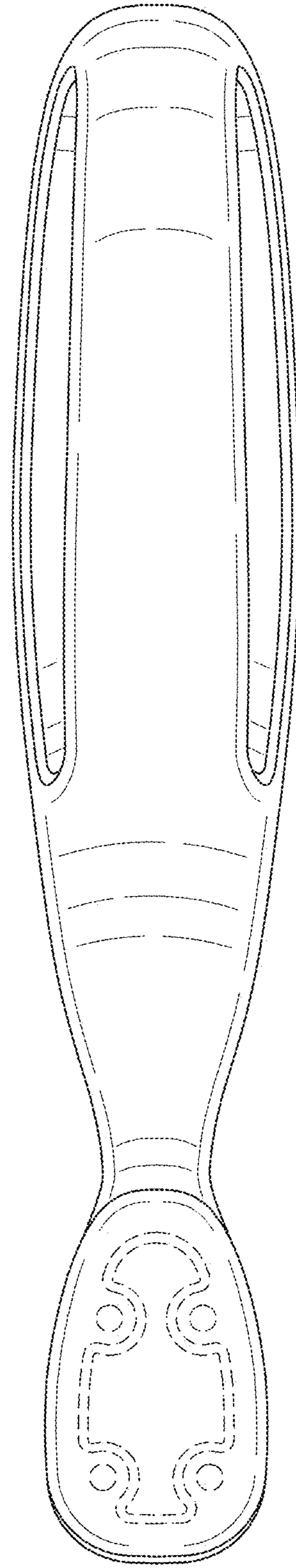


FIG. 11



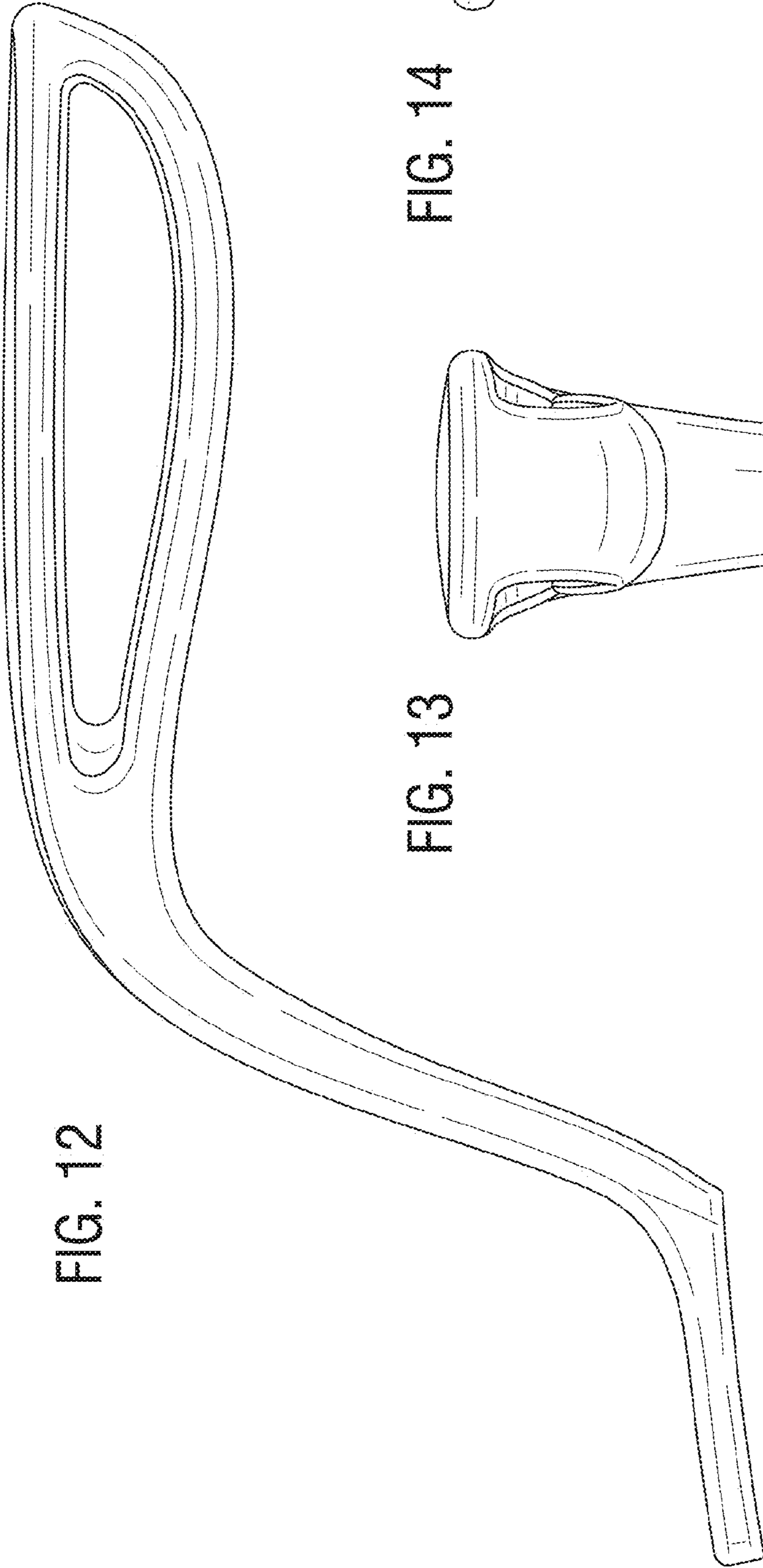


FIG. 12

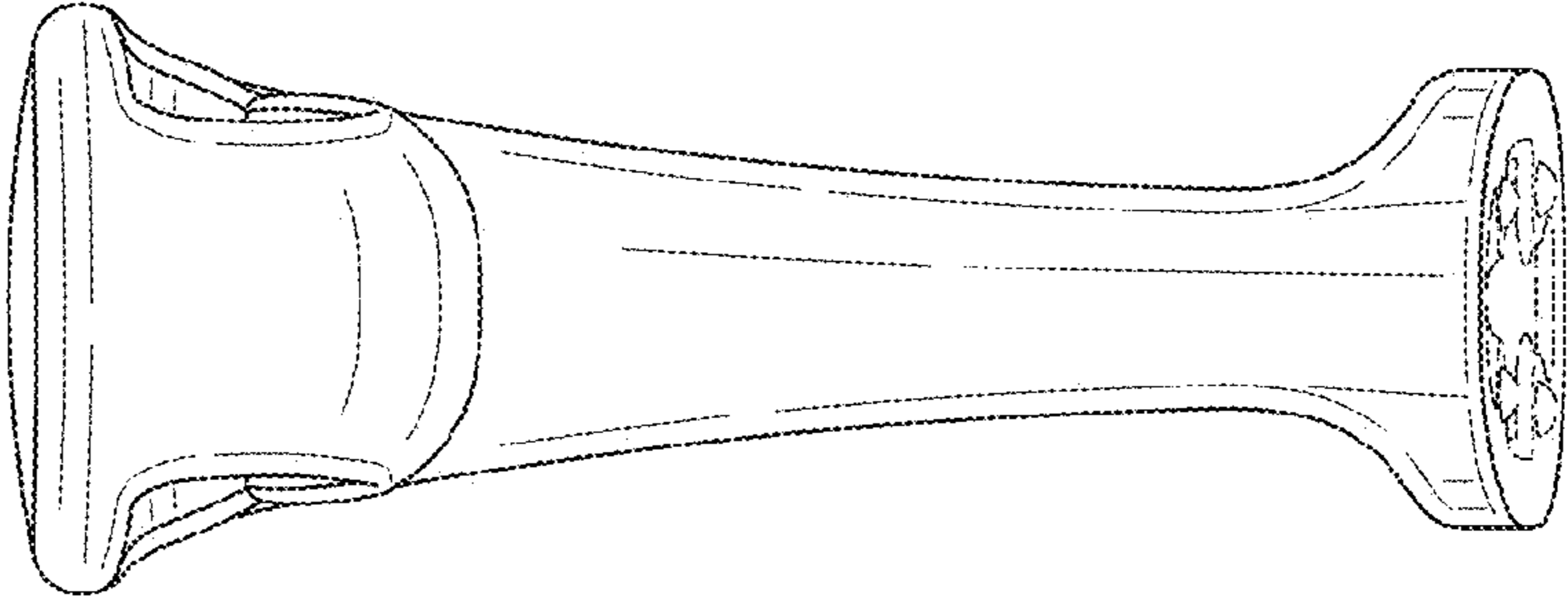


FIG. 13

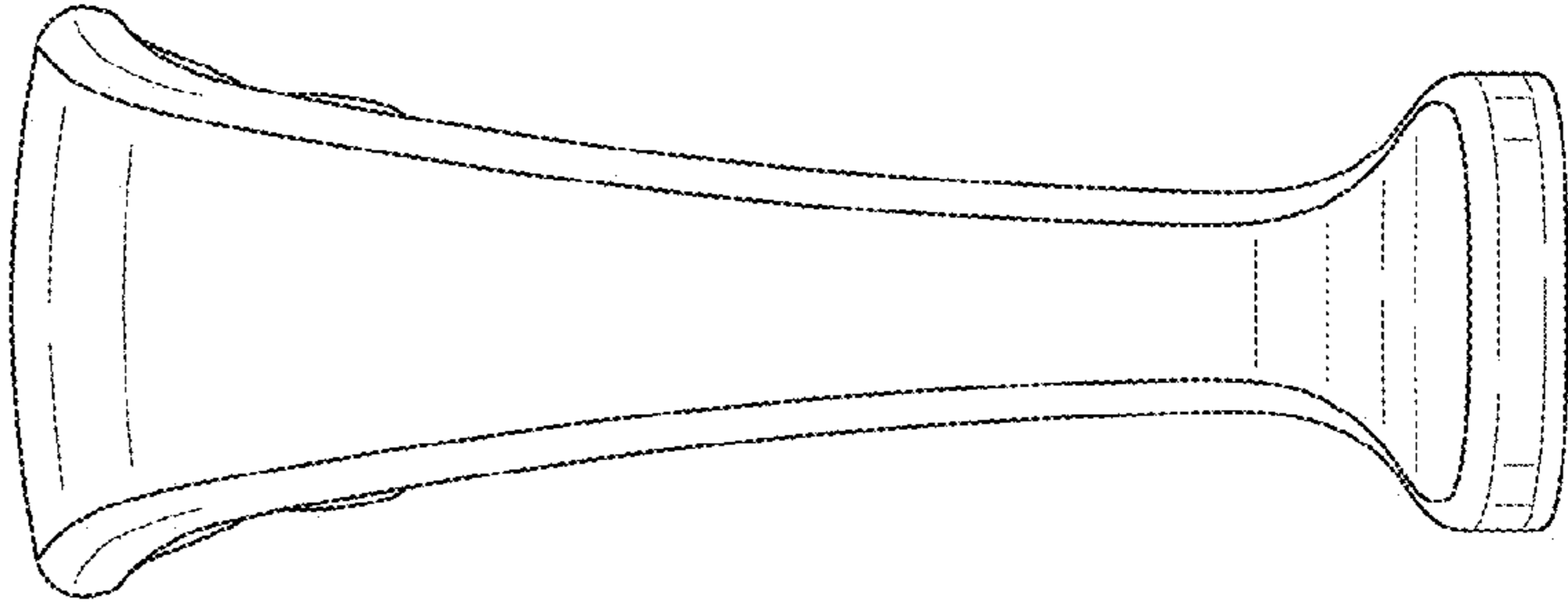


FIG. 14



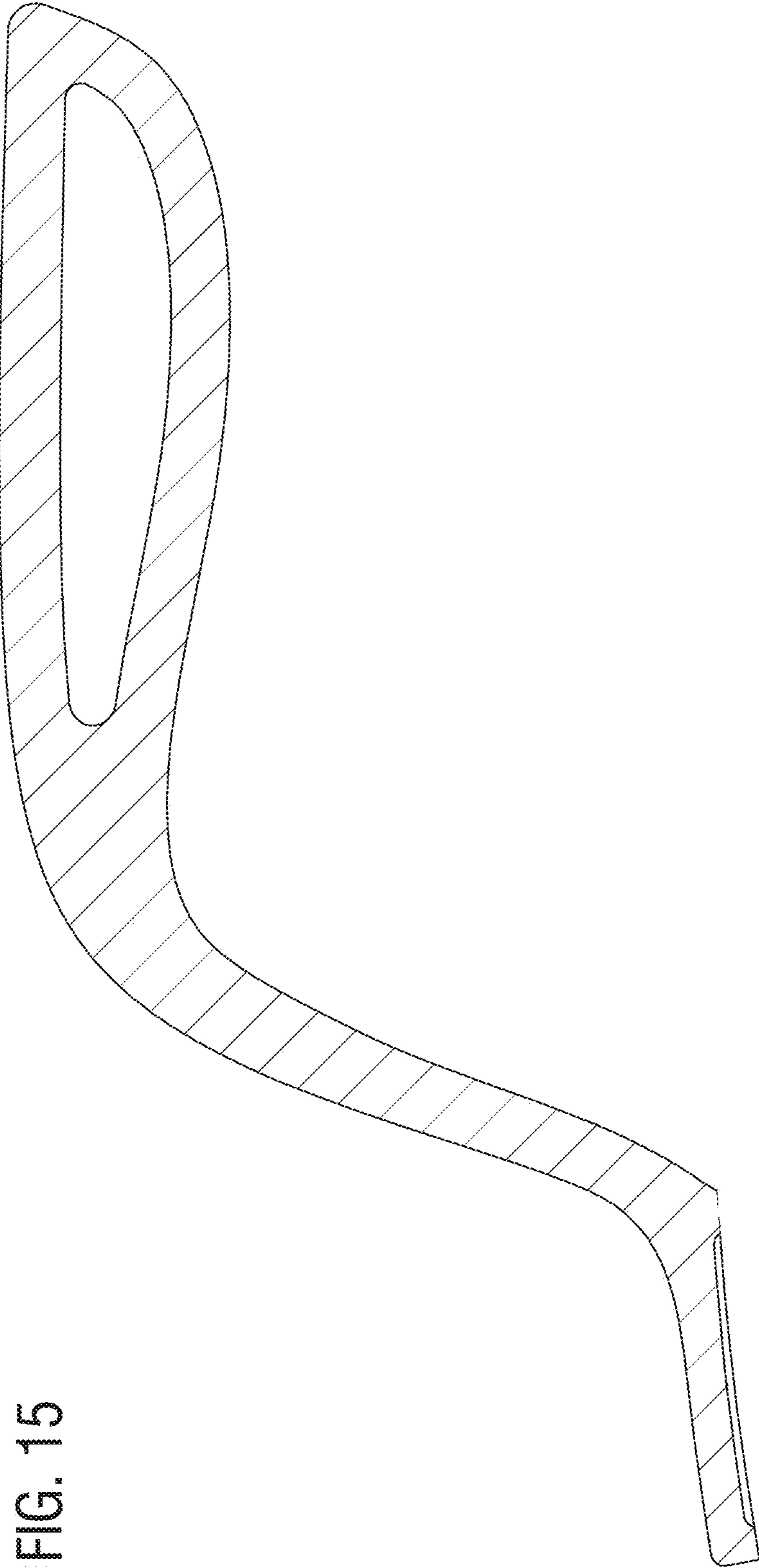


FIG. 15