



US00D963405S

(12) **United States Design Patent** (10) **Patent No.:** **US D963,405 S**  
**Silsby et al.** (45) **Date of Patent:** **\*\* Sep. 13, 2022**

- (54) **BEVERAGE CONTAINER**
- (71) Applicant: **Pacific Market International, LLC**,  
Seattle, WA (US)
- (72) Inventors: **Jacob D. Silsby**, Seattle, WA (US);  
**Andrew C. F. Wahl**, Seattle, WA (US)
- (73) Assignee: **Pacific Market International, LLC**,  
Seattle, WA (US)
- (\*\*) Term: **15 Years**
- (21) Appl. No.: **29/807,896**
- (22) Filed: **Sep. 15, 2021**

D660,081 S *	5/2012	Gilbert	.....	D7/509
D695,138 S	12/2013	Ball		
D700,802 S *	3/2014	Miller	.....	D7/392.1
D701,079 S	3/2014	Arora		
D707,492 S *	6/2014	George	.....	D7/510
D729,585 S *	5/2015	Boroski	.....	D7/511
D746,701 S	1/2016	Pape		
D748,942 S *	2/2016	Boroski	.....	D7/391
D772,652 S *	11/2016	Yao	.....	D7/511
D774,837 S	12/2016	Seiders et al.		
D778,677 S *	2/2017	Boroski	.....	D7/511
D780,578 S *	3/2017	Lane	.....	D9/445
D809,347 S *	2/2018	Silsby	.....	D7/608
D819,402 S *	6/2018	Silsby	.....	D7/510
D827,377 S *	9/2018	Silsby	.....	D7/510

(Continued)

**Related U.S. Application Data**

- (62) Division of application No. 29/691,997, filed on May 21, 2019, now Pat. No. Des. 934,025.
- (51) **LOC (13) Cl.** ..... **07-01**
- (52) **U.S. Cl.**  
USPC ..... **D7/392.1; D7/396.2**
- (58) **Field of Classification Search**  
USPC ..... D7/507, 509, 510, 511, 523, 533, 534,  
D7/535, 536, 608, 392.1, 396.2, 515, 516;  
D8/107, 300; D24/197; D9/517, 532,  
D9/503; 220/710.5, 592.16, 592.17  
CPC .... D47G 19/22; B65D 1/265; A47G 19/2266;  
A47J 41/02; A45F 3/16  
See application file for complete search history.

(56) **References Cited**

**U.S. PATENT DOCUMENTS**

D374,401 S *	10/1996	Behnen, Jr.	.....	D7/392.1
D531,036 S *	10/2006	Bried	.....	D9/504
D577,290 S *	9/2008	Moretti	.....	D9/500
D615,817 S *	5/2010	George	.....	D7/510
D621,666 S *	8/2010	Wahl	.....	D7/608
D641,591 S *	7/2011	Tsukida	.....	D7/608
D655,134 S *	3/2012	Gilbert	.....	D7/510

**OTHER PUBLICATIONS**

<https://www.youtube.com/watch?v=8WPiDY9JcII> (Year: 2015).\*

*Primary Examiner* — Jae Liang

(74) *Attorney, Agent, or Firm* — George C. Rondeau, Jr.;  
Davis Wright Tremaine LLP

(57) **CLAIM**

The ornamental design for a beverage container, as shown and described.

**DESCRIPTION**

FIG. 1 is a top perspective view of a beverage container showing our new design.

FIG. 2 is a bottom perspective view thereof.

FIG. 3 is a left side elevational view thereof.

FIG. 4 is a front elevational view thereof.

FIG. 5 is a right side elevational view thereof.

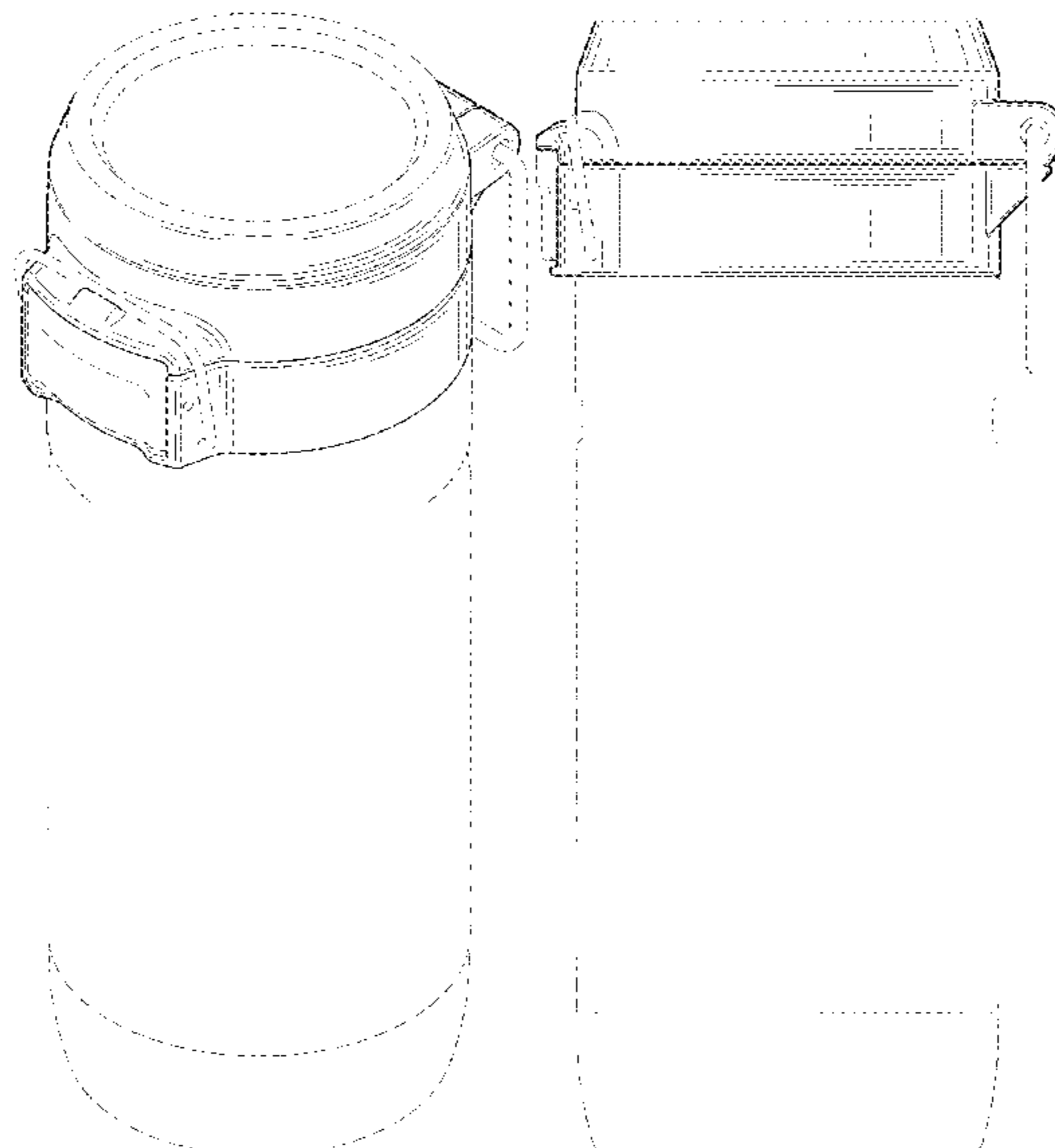
FIG. 6 is a rear elevational view thereof.

FIG. 7 is a top plan view thereof; and,

FIG. 8 is a bottom plan view thereof.

The broken lines depict portions of the beverage container that form no part of the claimed design.

**1 Claim, 7 Drawing Sheets**



(56)

**References Cited**

U.S. PATENT DOCUMENTS

D831,434 S *	10/2018	Washburn .....	D7/608
D857,462 S	8/2019	Silsby et al.	
D862,992 S	10/2019	Wong	
D878,160 S *	3/2020	Corbet .....	D7/523
D880,941 S *	4/2020	Silsby .....	D7/510
2014/0061208 A1	3/2014	Boyd	

\* cited by examiner

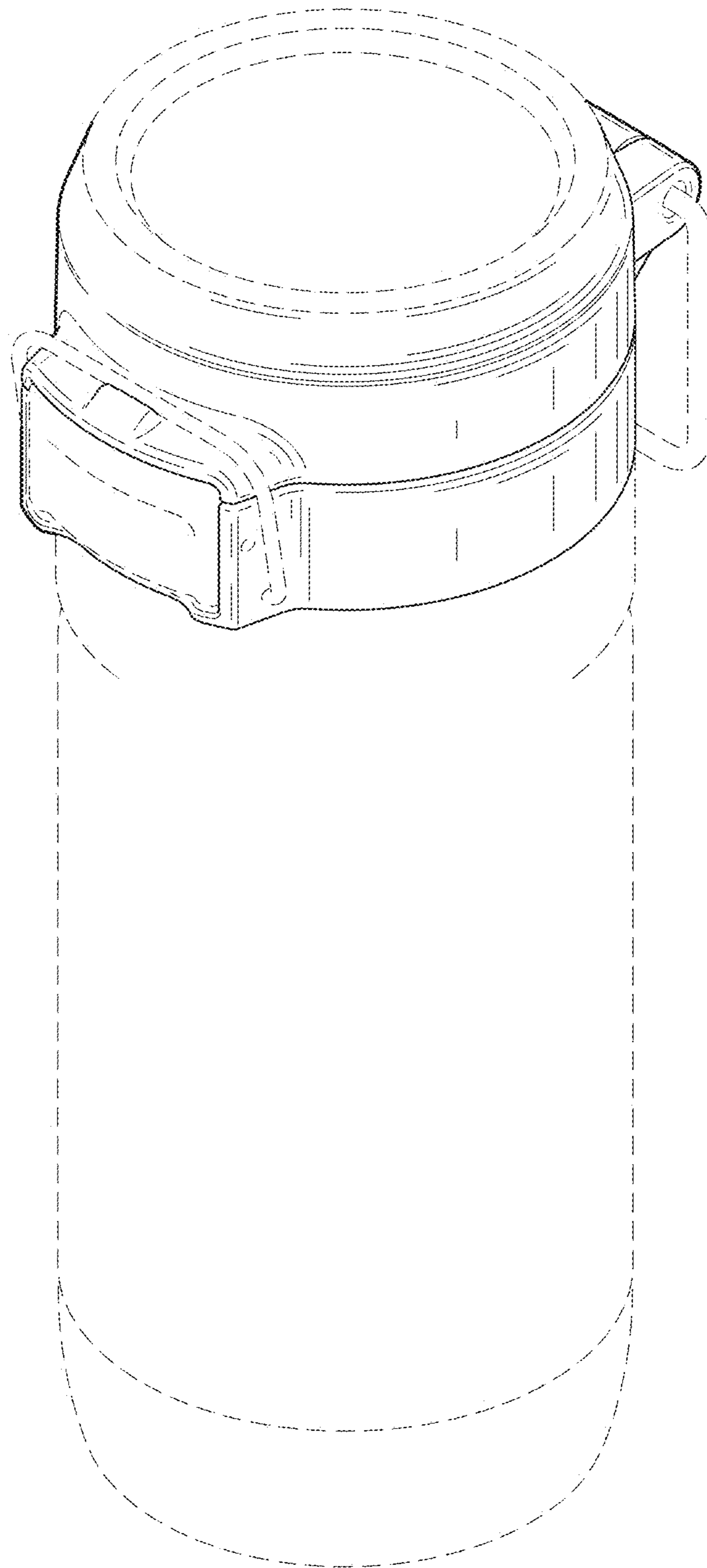


FIG. 1

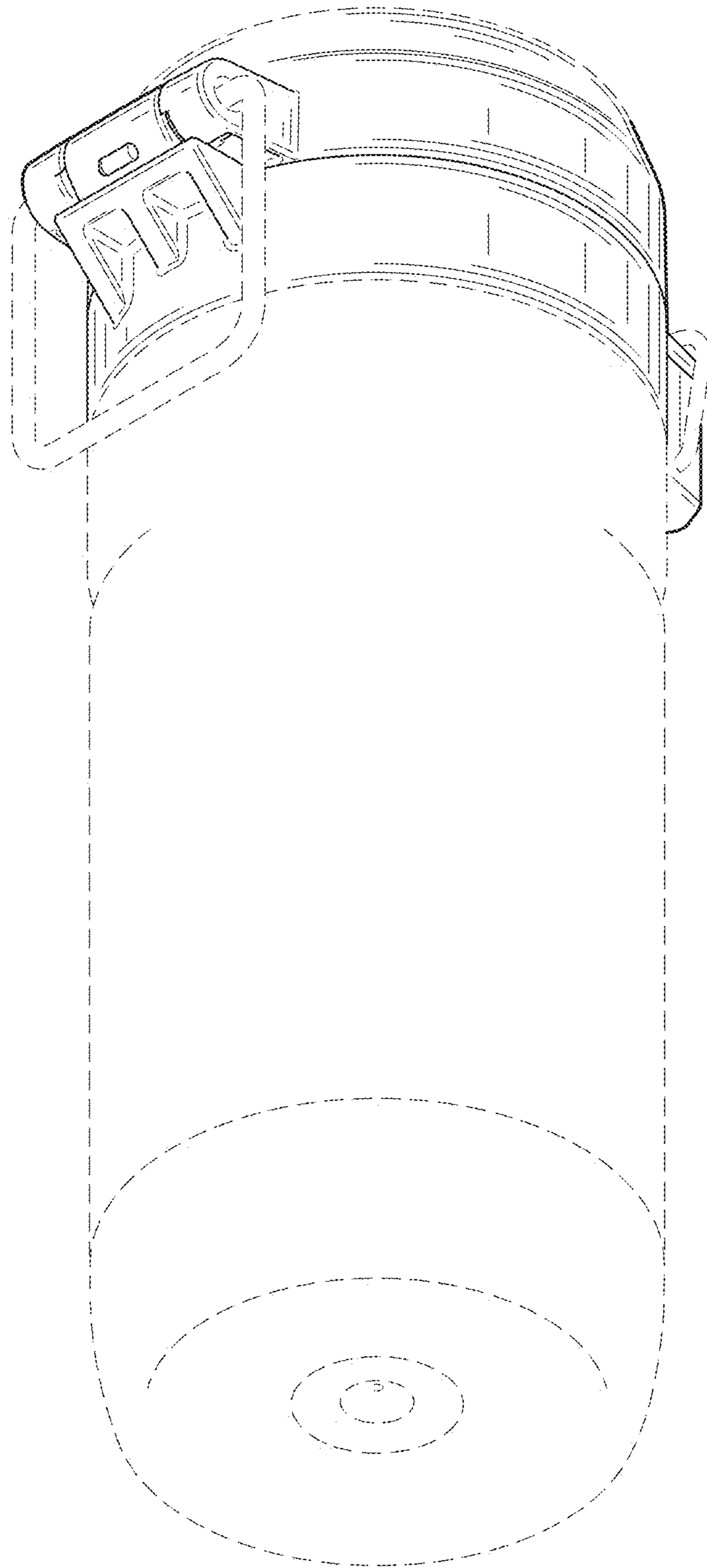


FIG. 2

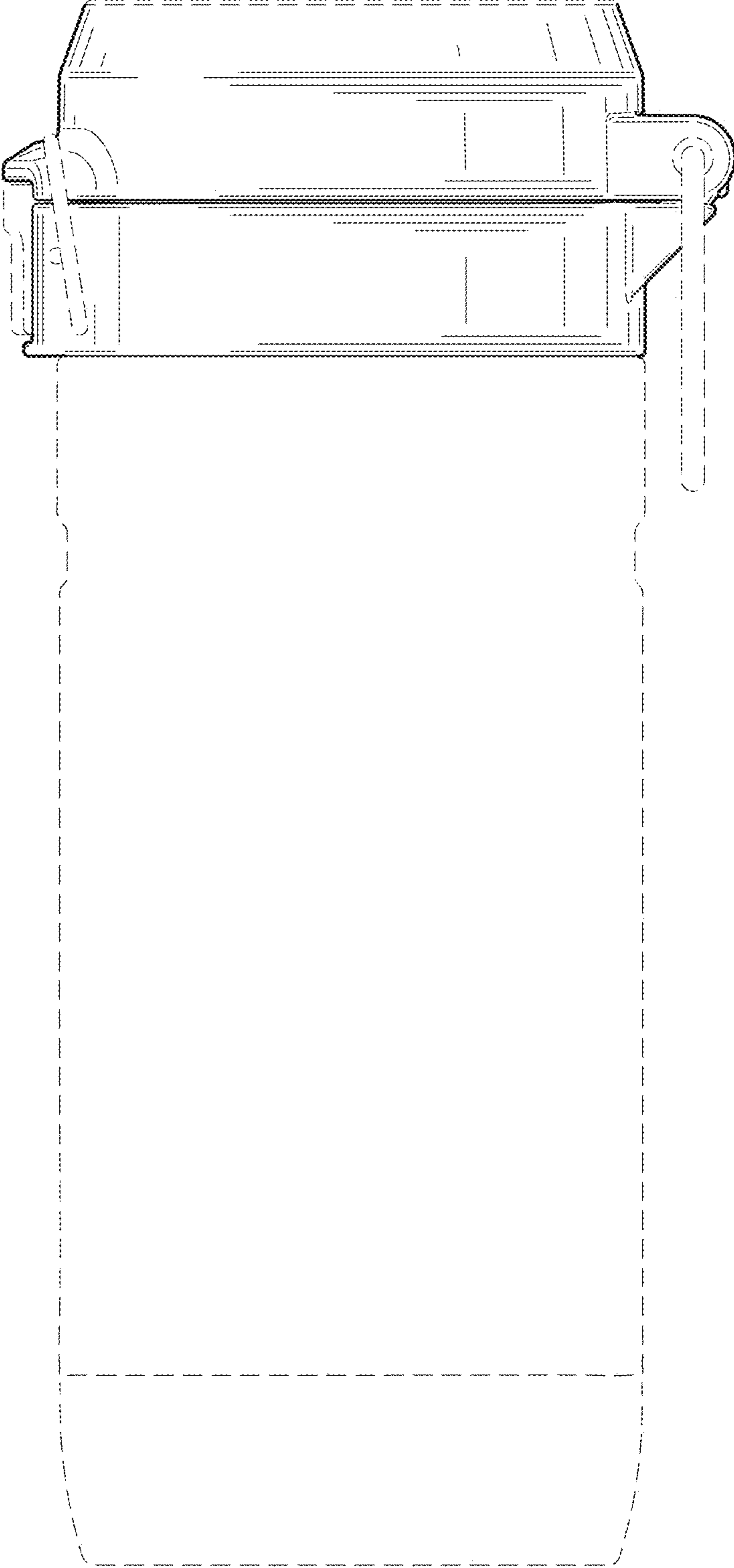


FIG. 3

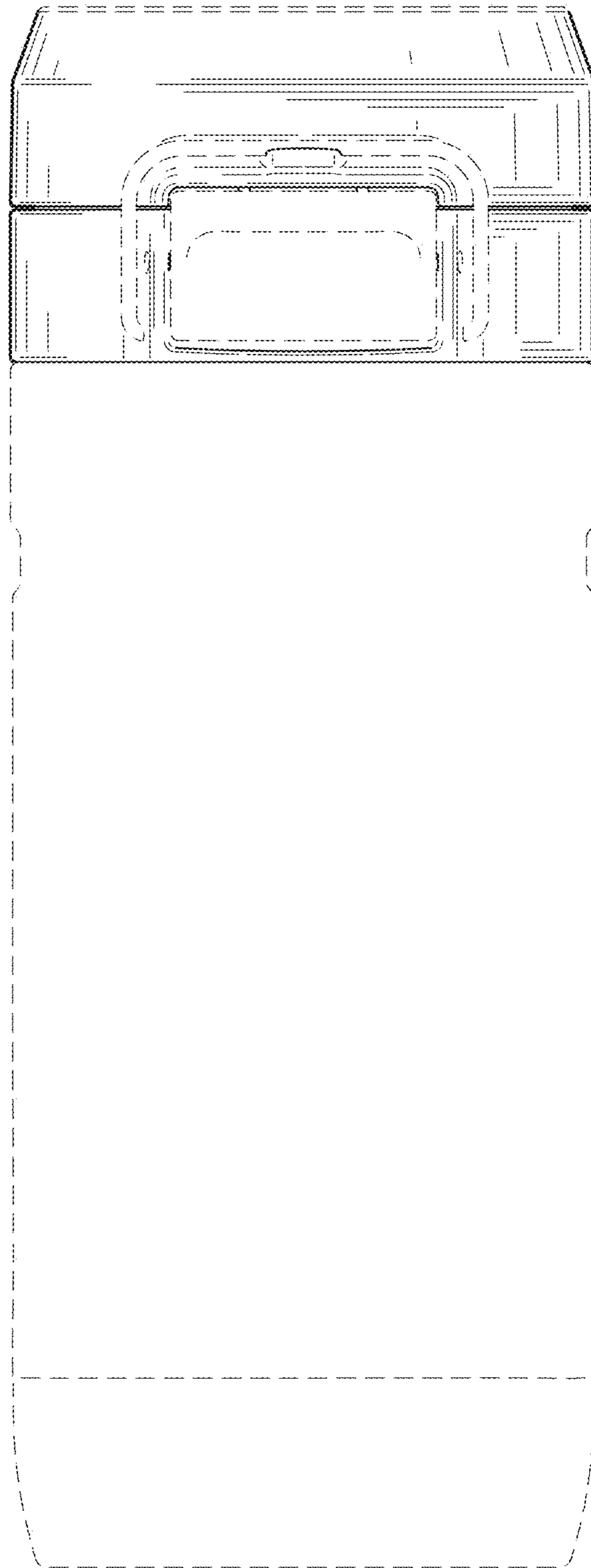


FIG. 4

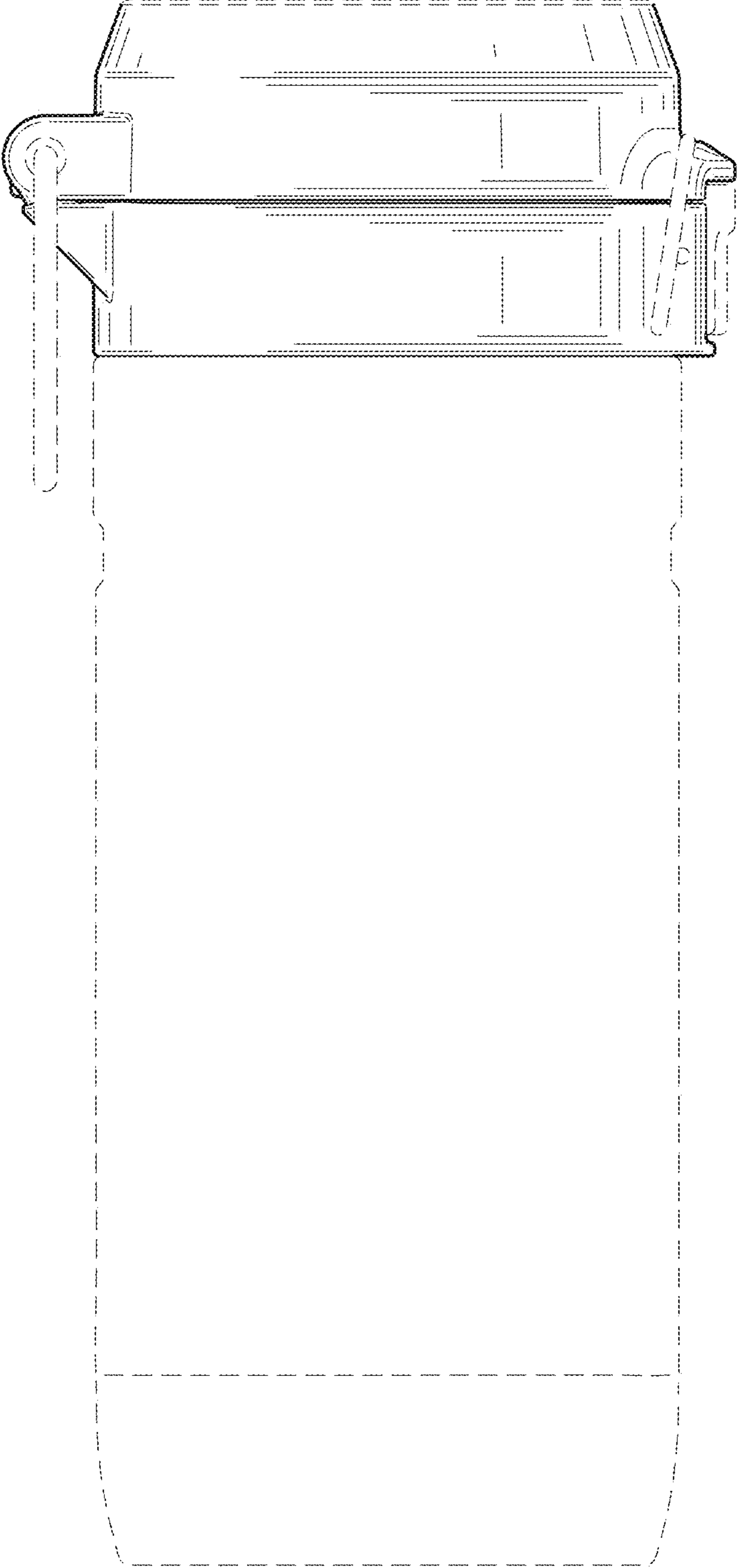


FIG. 5



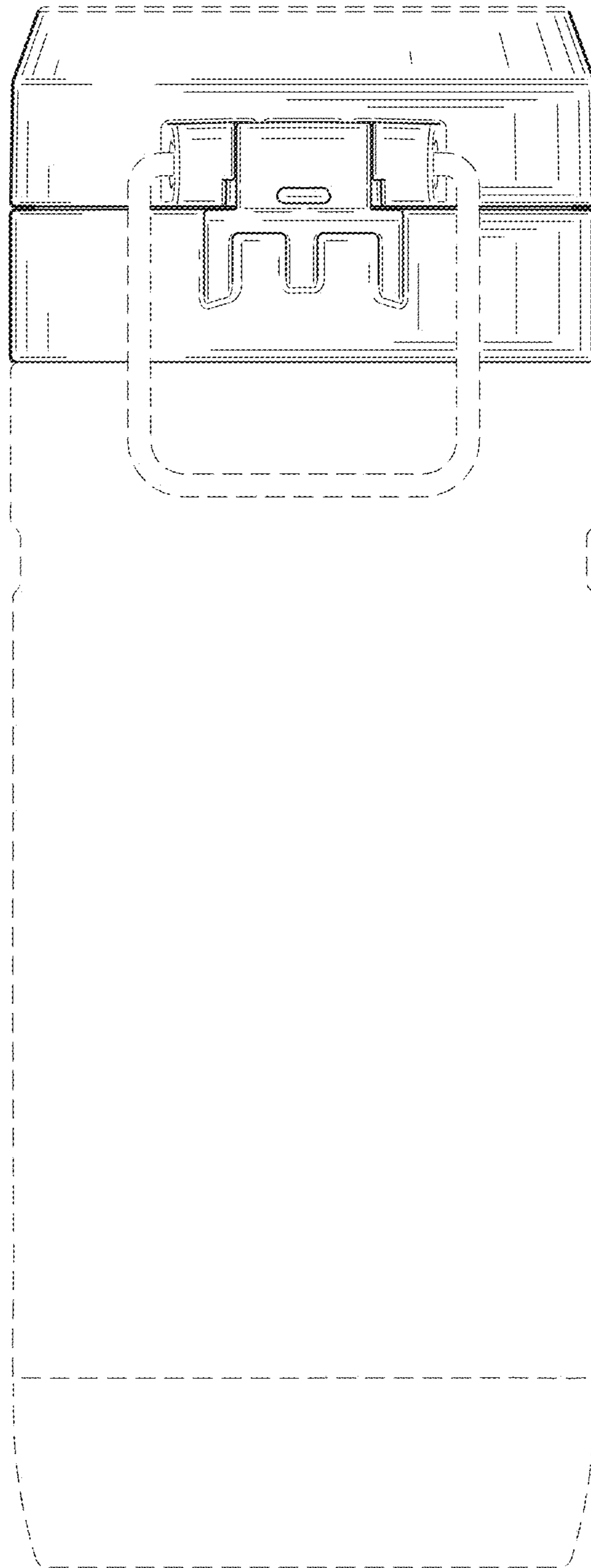


FIG. 6



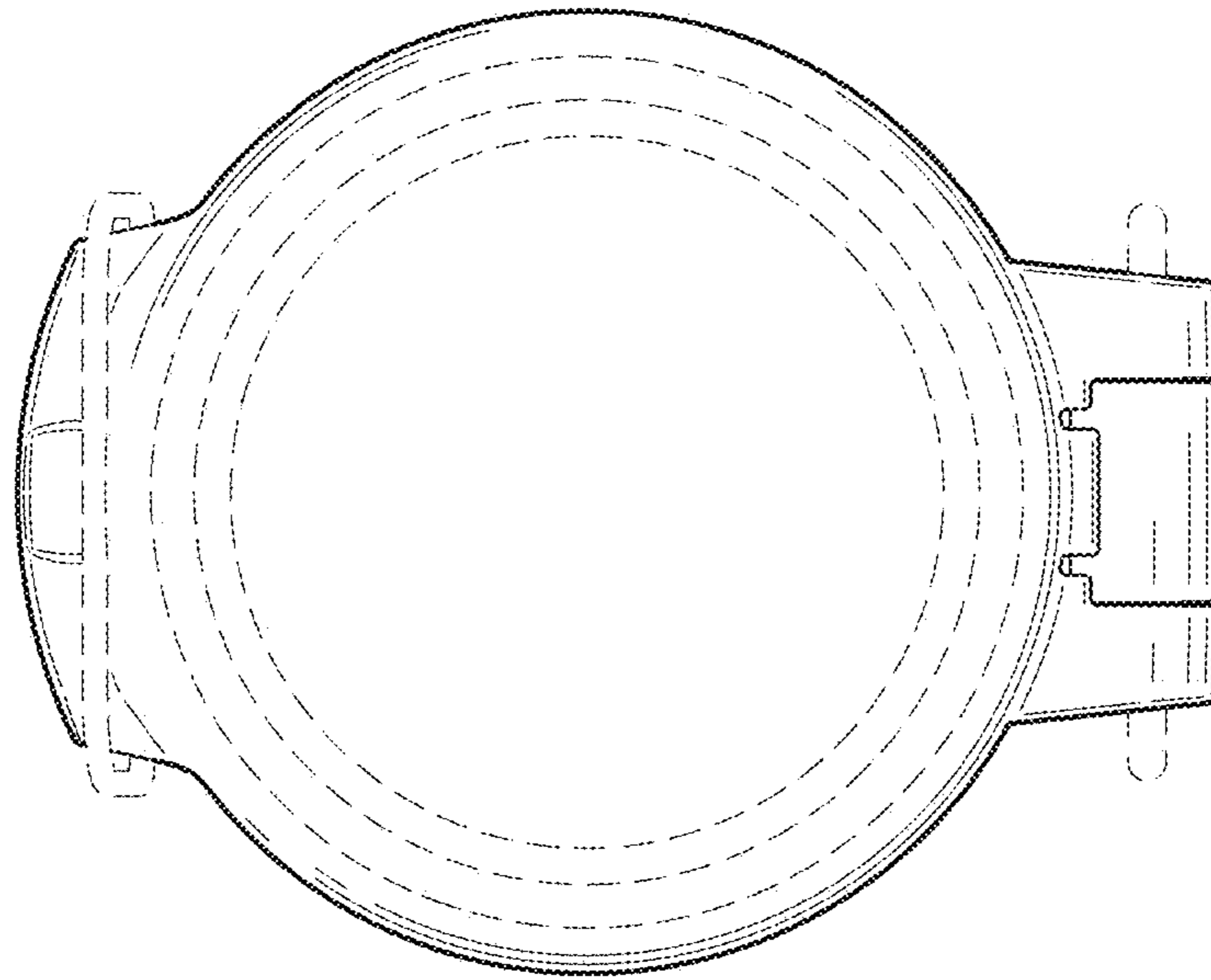


FIG. 7

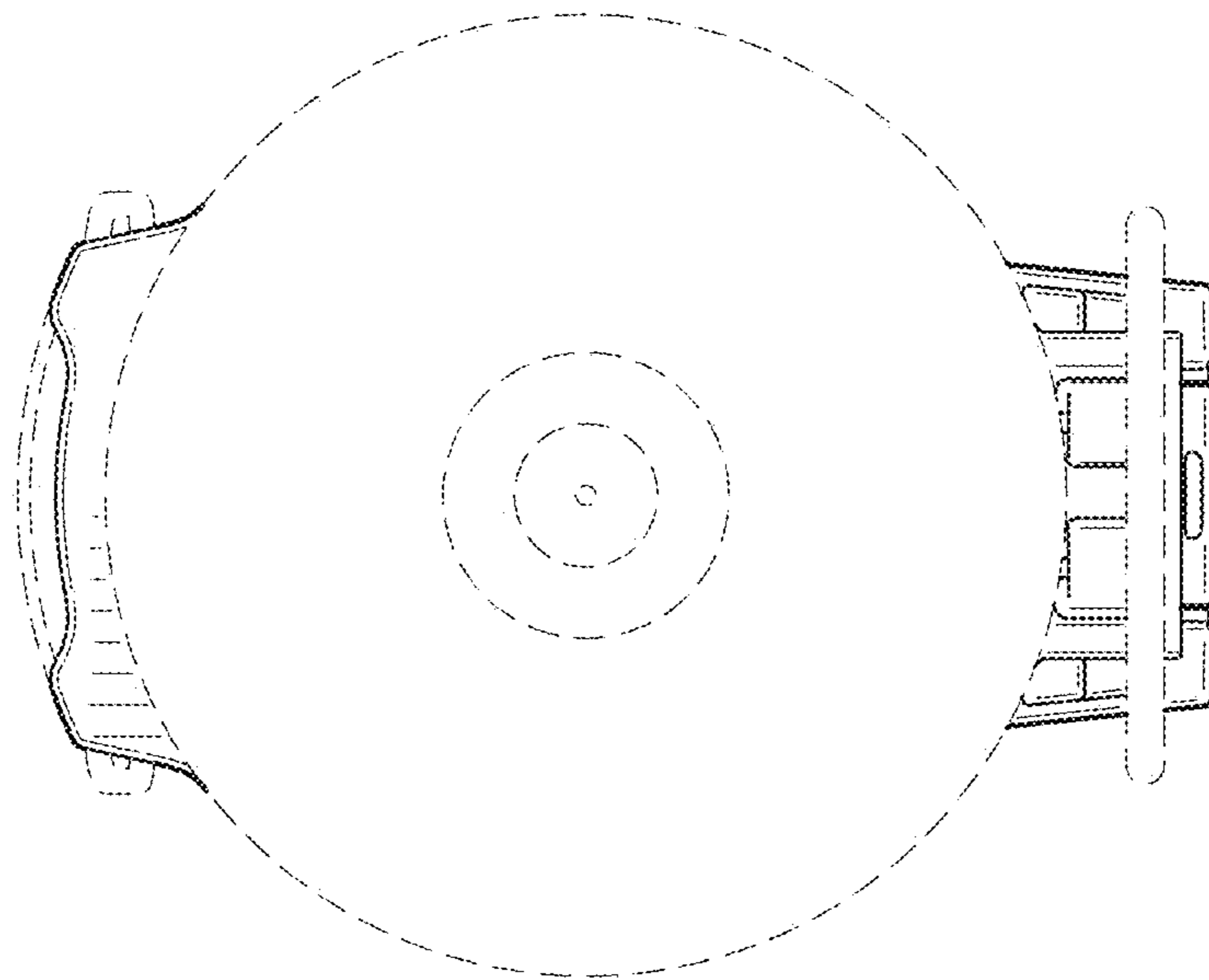


FIG. 8