



US00D963403S

(12) **United States Design Patent**
Zhou

(10) **Patent No.:** **US D963,403 S**

(45) **Date of Patent:** **** Sep. 13, 2022**

(54) **LID**

(71) Applicant: **UZ TECHNOLOGY (SHENZHEN) COMPANY LIMITED**, Shenzhen (CN)

(72) Inventor: **Han Zhou**, Shenzhen (CN)

(73) Assignee: **UZ TECHNOLOGY (SHENZHEN) COMPANY LIMITED**, Shenzhen (CN)

(**) Term: **15 Years**

(21) Appl. No.: **29/755,809**

(22) Filed: **Oct. 22, 2020**

(51) **LOC (13) Cl.** **07-01**

(52) **U.S. Cl.**
USPC **D7/392.1; D7/391**

(58) **Field of Classification Search**
USPC D7/310, 319, 323, 354–363, 391, 392, D7/392.1, 393–396, 396.2, 401.1, 510, D7/511; D9/435, 440, 447, 449–453, D9/454, 504, 523, 670
CPC .. A47G 19/027; A47G 19/12; A47G 19/2272; A47J 27/00; A47J 27/002; A47J 27/08; A47J 27/13; A47J 27/21; A47J 27/58; A47J 36/025; A47J 36/027; A47J 36/06; A47J 36/12; A47J 37/00; A47J 37/0704; A47J 37/10; A47J 37/101; A47J 37/103; A47J 37/12; A47J 37/1204; A47J 39/02; A47J 45/061; A47J 45/071; A47J 45/08; B65D 41/0407; B65D 17/401; B65D 47/066; B65D 47/08; H05B 6/12; H05B 6/804; H05B 6/6494; A61J 1/2093; A61J 11/00

See application file for complete search history.

(56) **References Cited**

U.S. PATENT DOCUMENTS

D719,780 S * 12/2014 Sullivan D7/392.1
D817,084 S * 5/2018 Hammer D7/392.1

D824,721 S * 8/2018 Hu D7/392.1
D828,722 S * 9/2018 Davis D7/532
D843,778 S * 3/2019 Yao D7/392.1
D863,879 S * 10/2019 Merrigan D9/443
D879,550 S * 3/2020 Lane D7/392
D894,669 S * 9/2020 Lane D7/392.1
D920,041 S * 5/2021 Chen D7/396.2
D920,739 S * 6/2021 Omdahl, II D7/392.1
D922,136 S * 6/2021 Lin D9/449
D935,266 S * 11/2021 Chen D7/392.1
D946,345 S * 3/2022 Yao D7/392.1

OTHER PUBLICATIONS

Auto Flip Straw Lid Replacement for Hydro Flask. Date First Available on Amazon.com Apr. 9, 2019. <https://www.amazon.com/dp/B07GK1JNBW/ref> (Year: 2019).*

* cited by examiner

Primary Examiner — Ricky Pham

(57) **CLAIM**

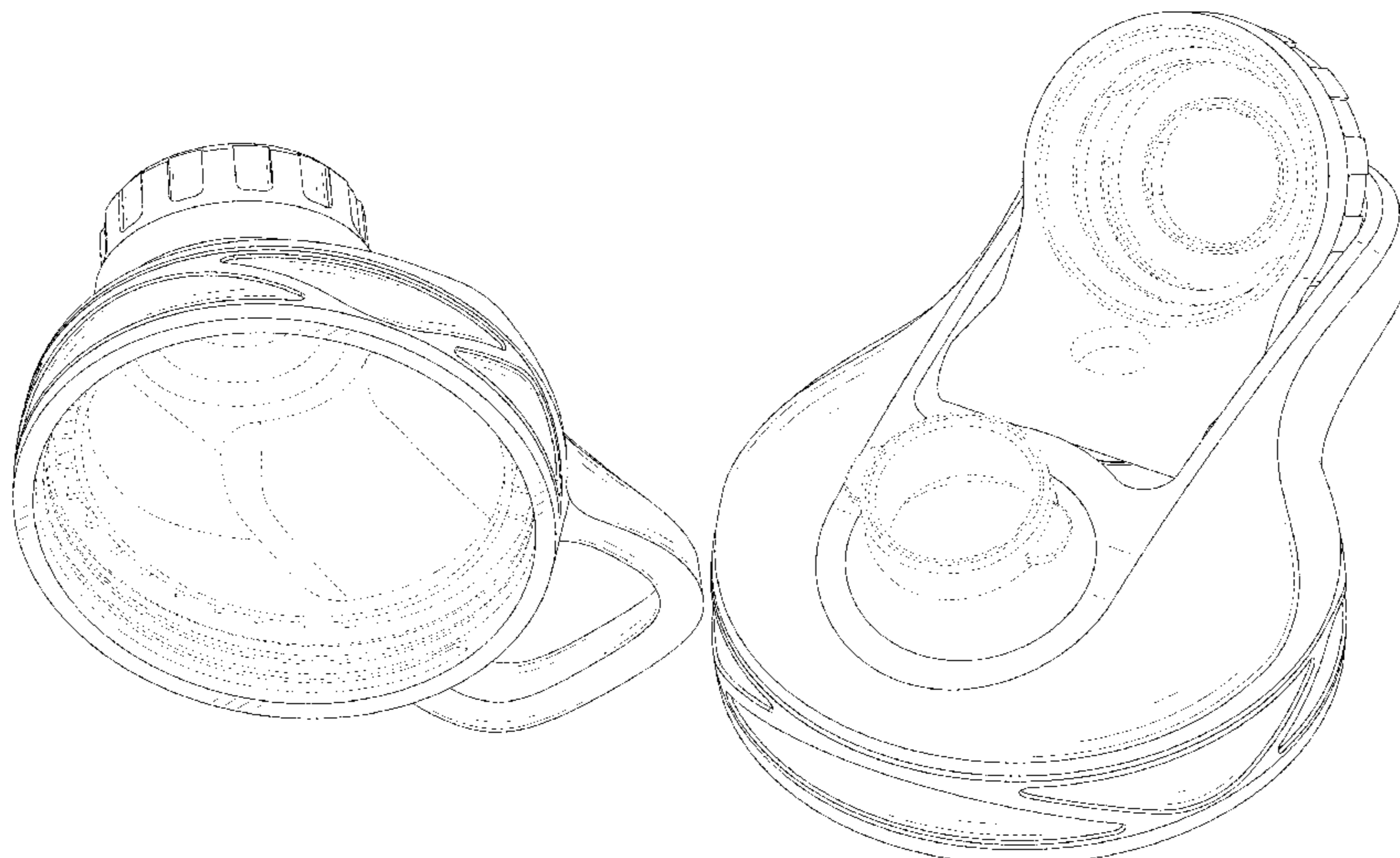
The ornamental design for a lid, as shown and described.

DESCRIPTION

FIG. 1 is a perspective view of a lid showing my new design; FIG. 2 is another perspective view thereof; FIG. 3 is a front elevational view thereof; FIG. 4 is a rear elevational view thereof; FIG. 5 is a left side elevational view thereof; FIG. 6 is a right side elevational view thereof; FIG. 7 is a top plan view thereof; FIG. 8 is a bottom plan view thereof; and, FIG. 9 is a perspective view of the lid where the lid is in a configuration of use.

The broken lines in the drawings depict portions of the lid that form no part of the claimed design.

1 Claim, 9 Drawing Sheets



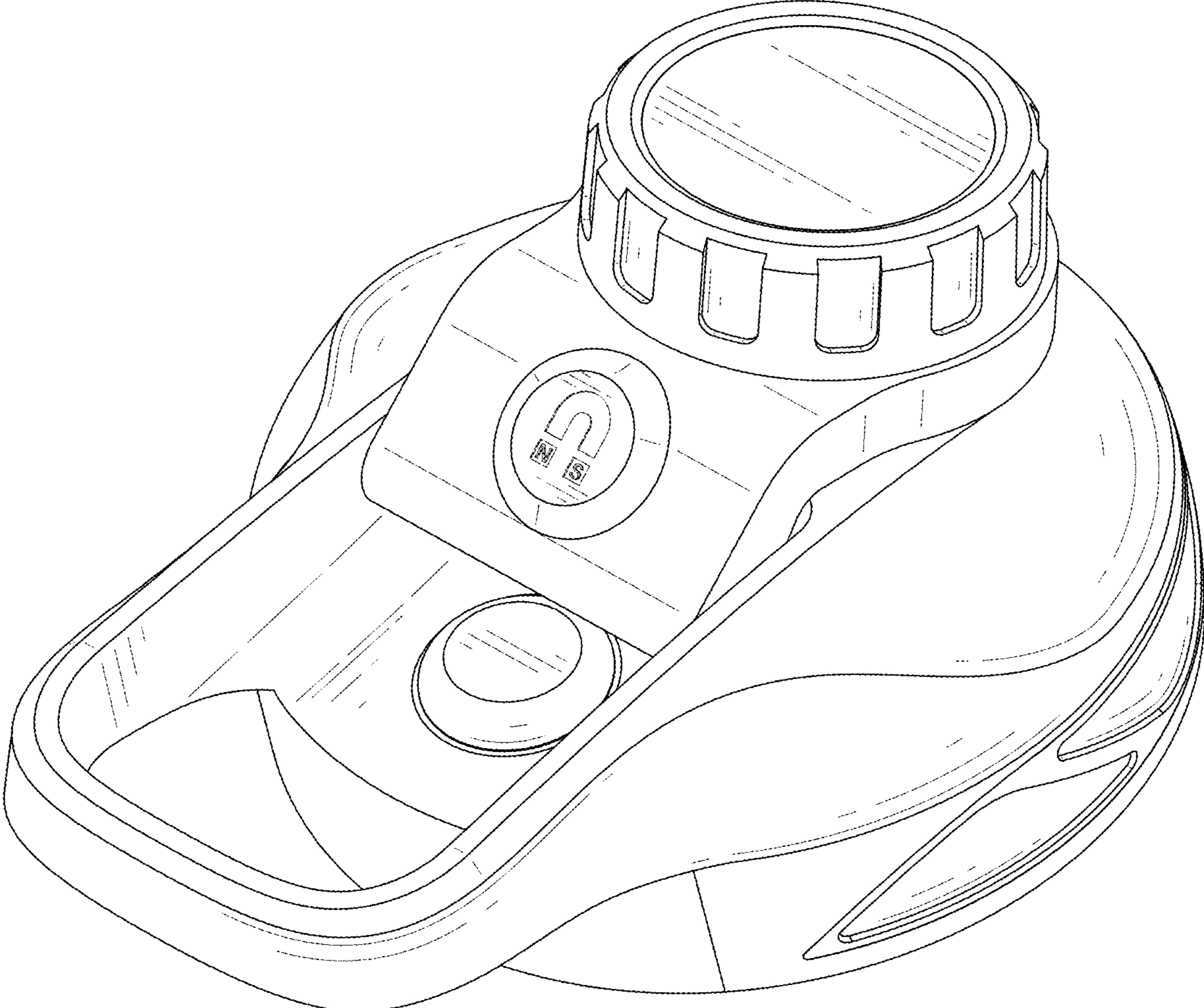


FIG. 1

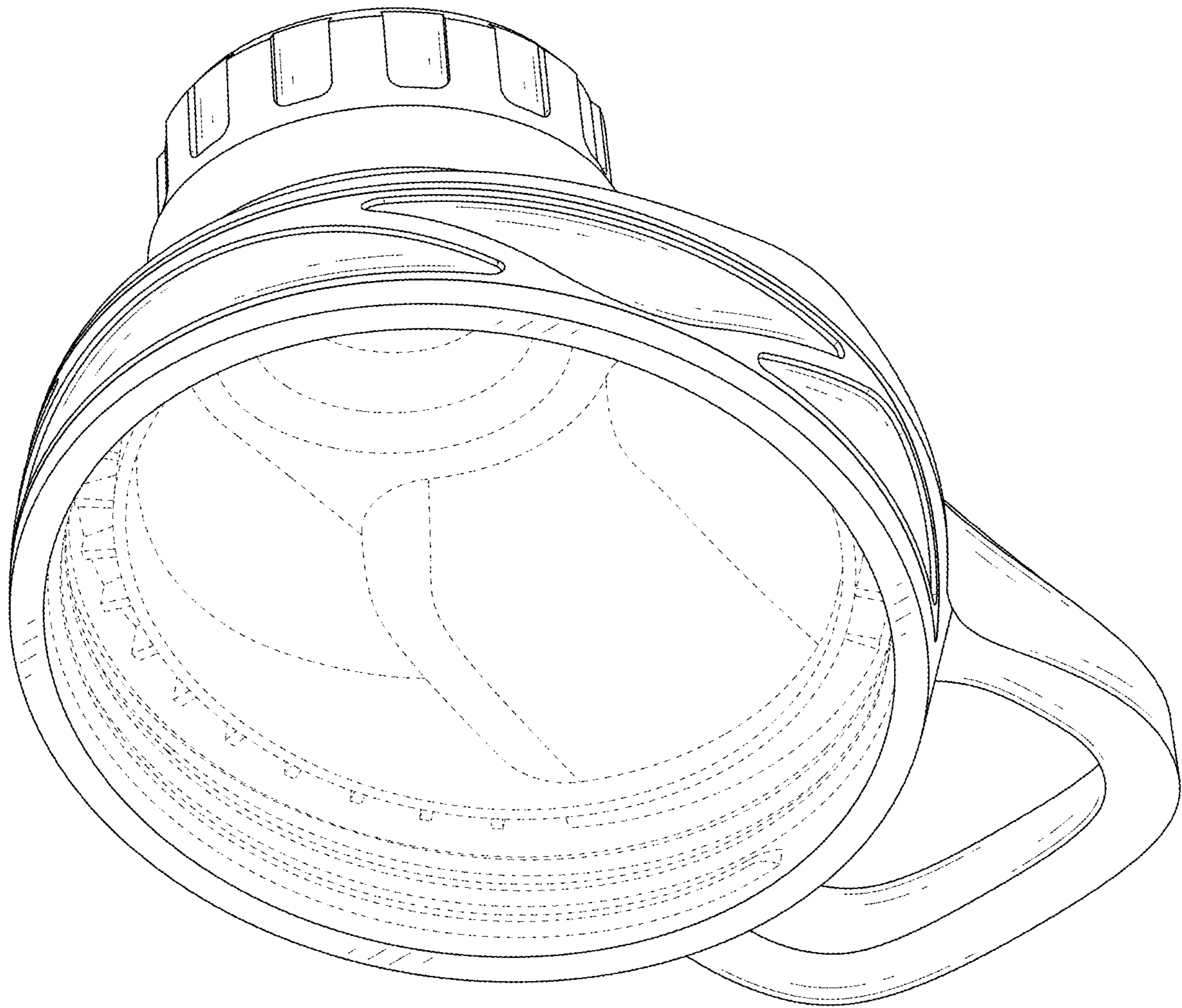


FIG. 2

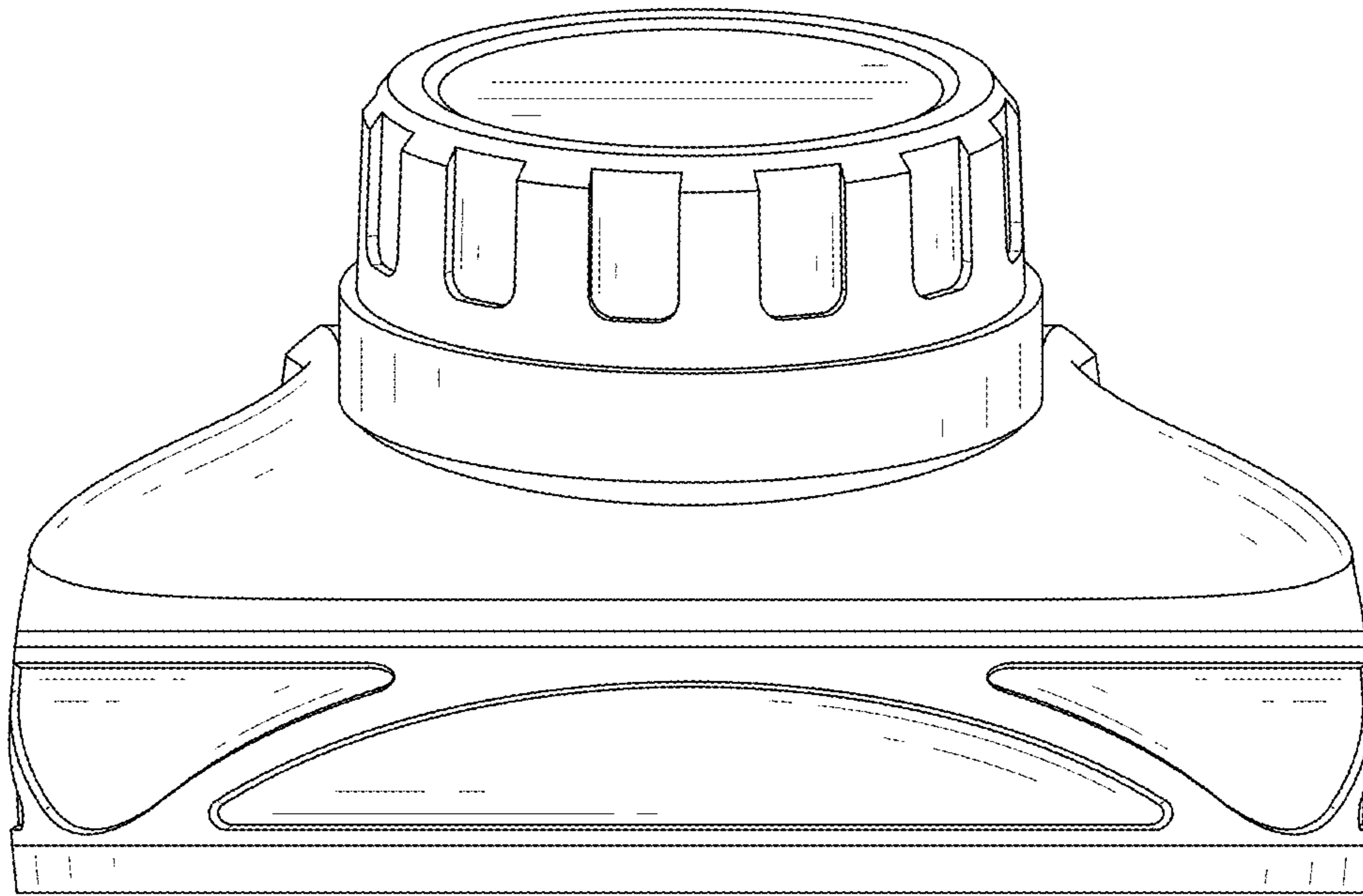


FIG. 3

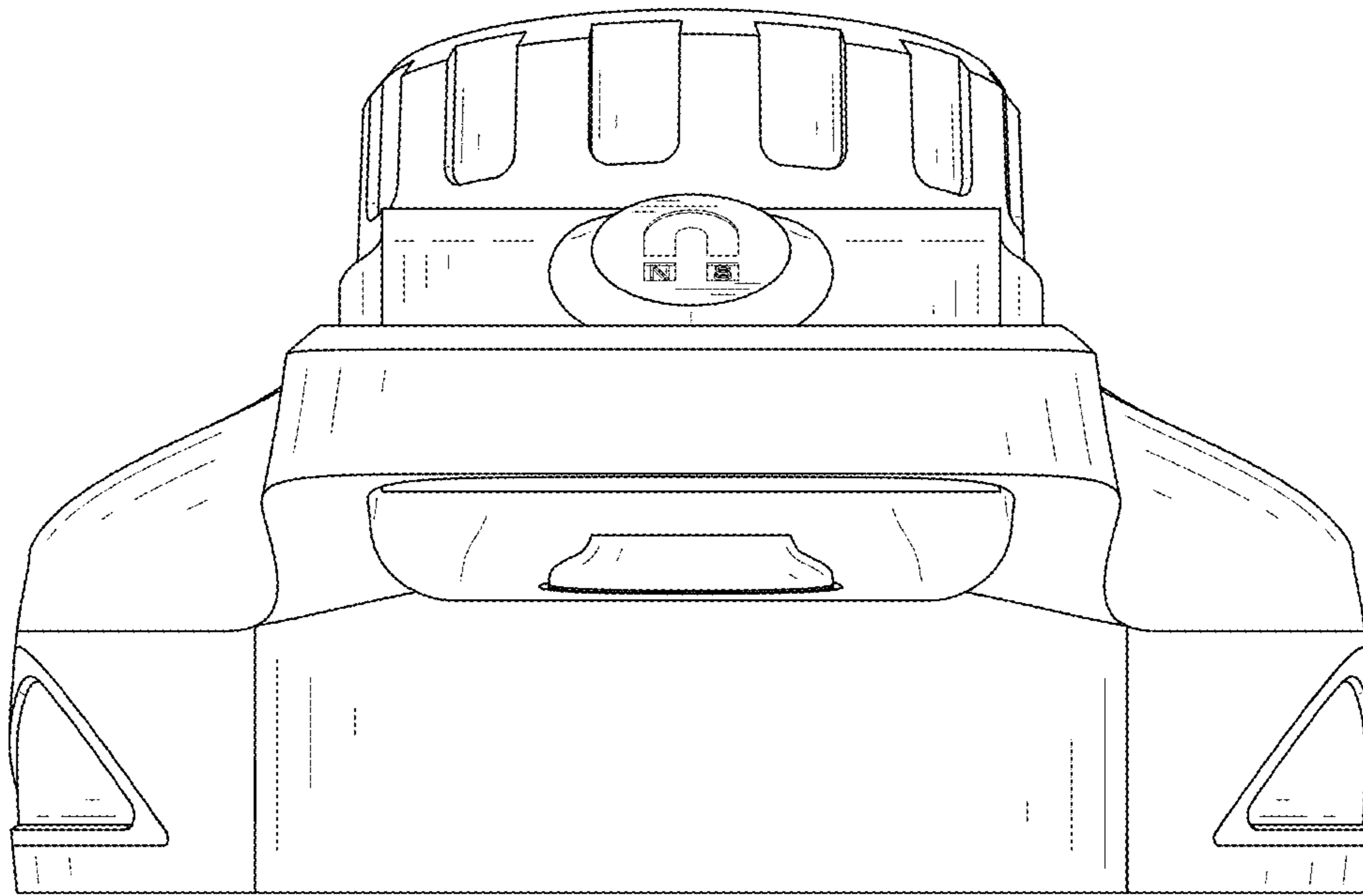


FIG. 4

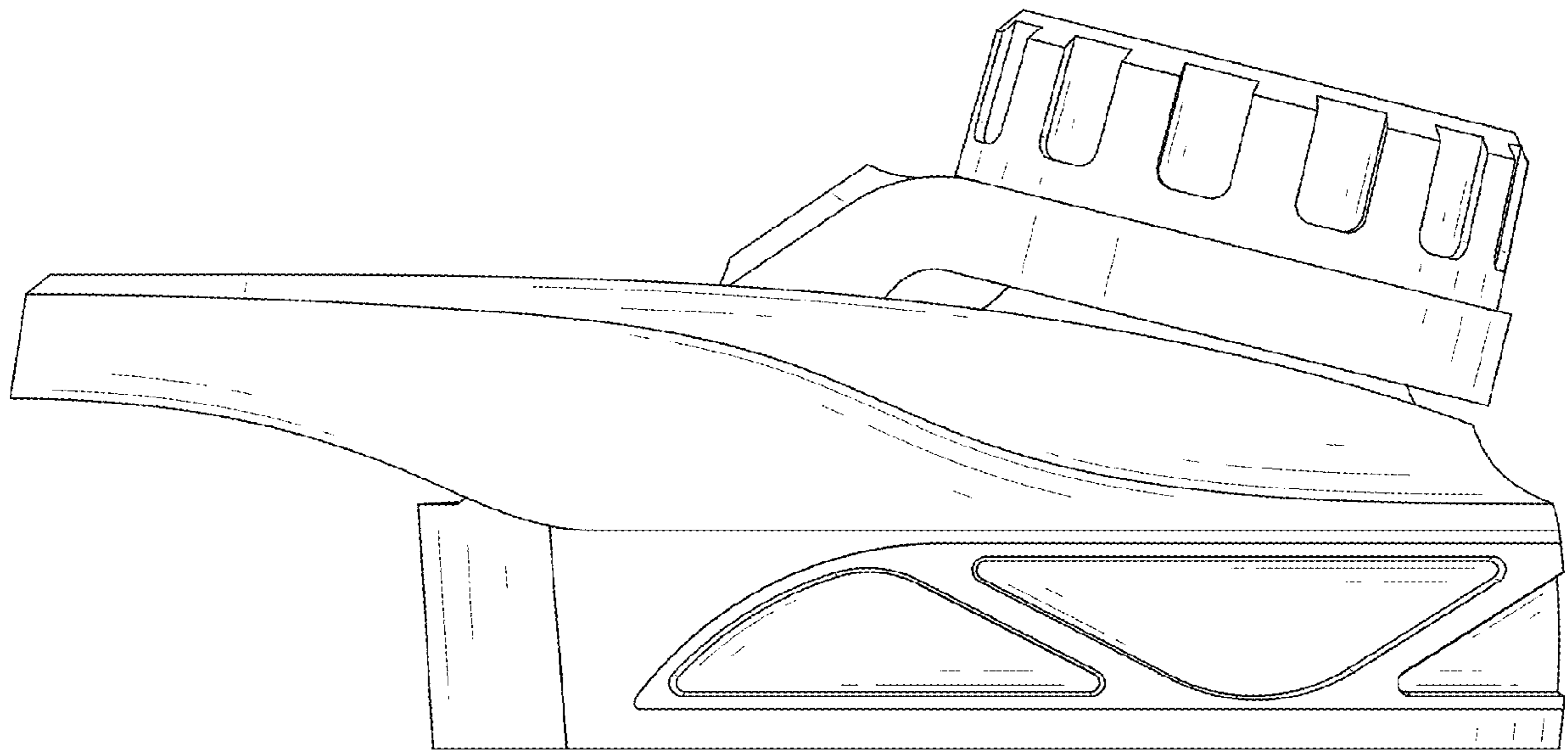


FIG. 5

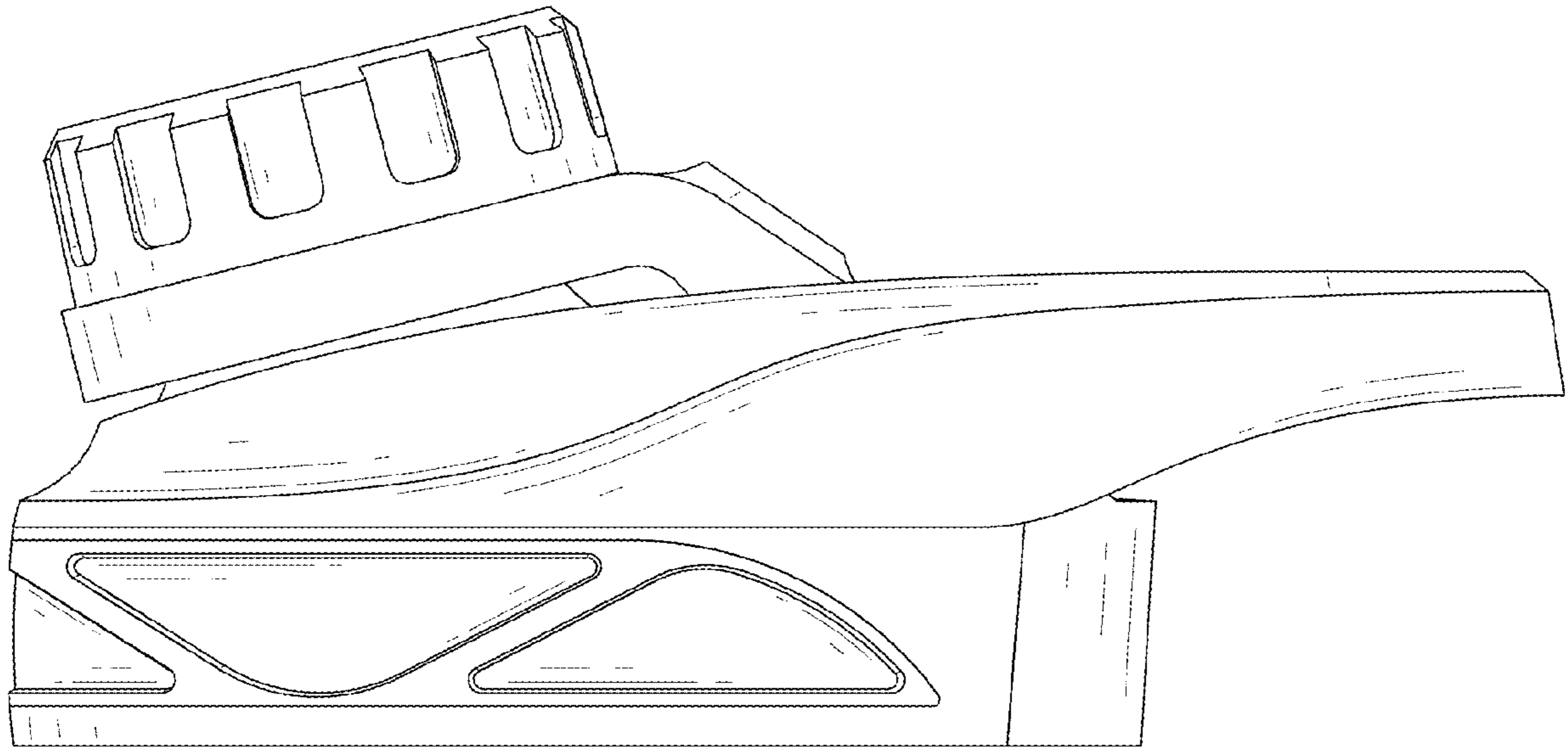


FIG. 6

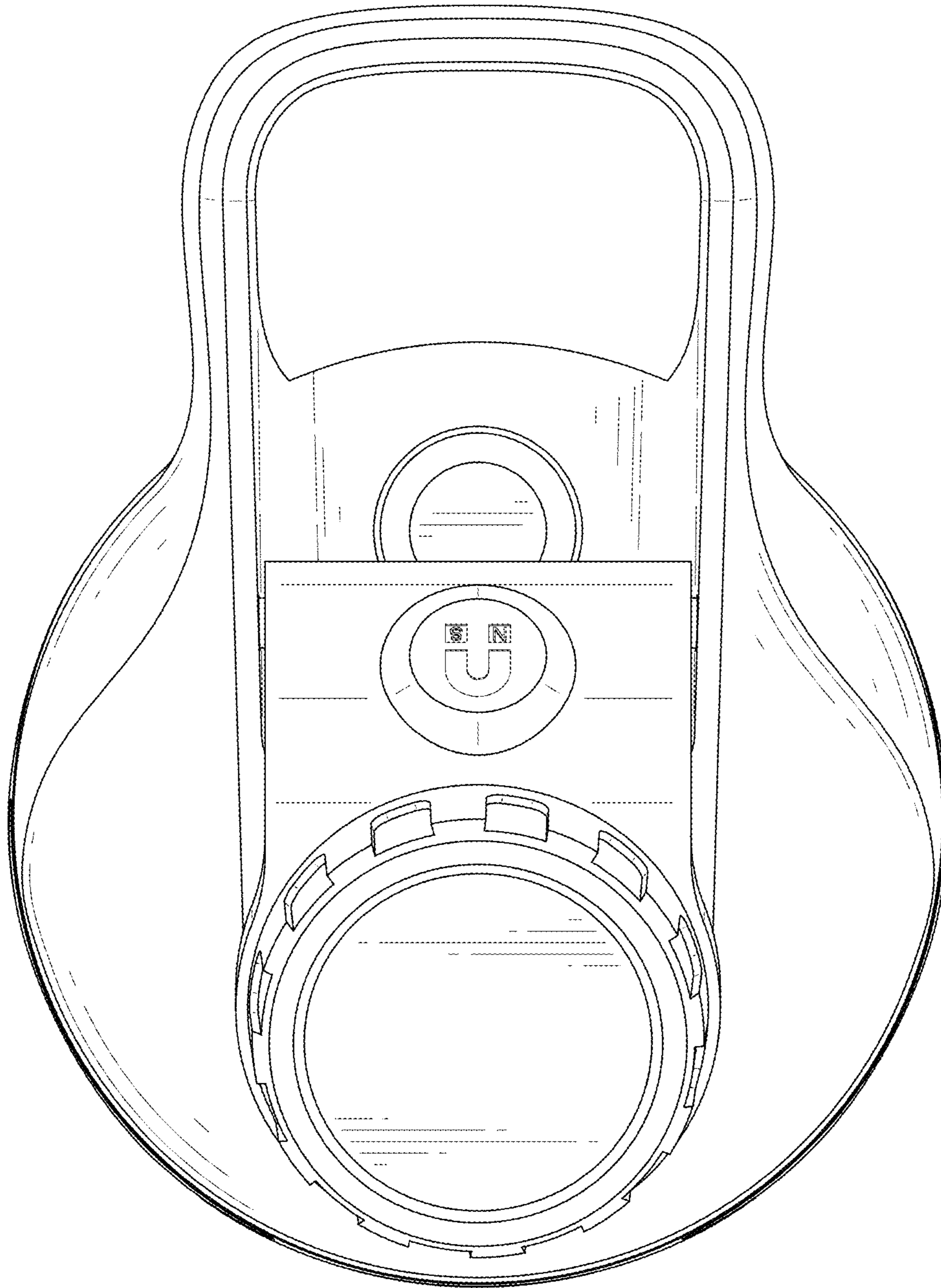


FIG. 7

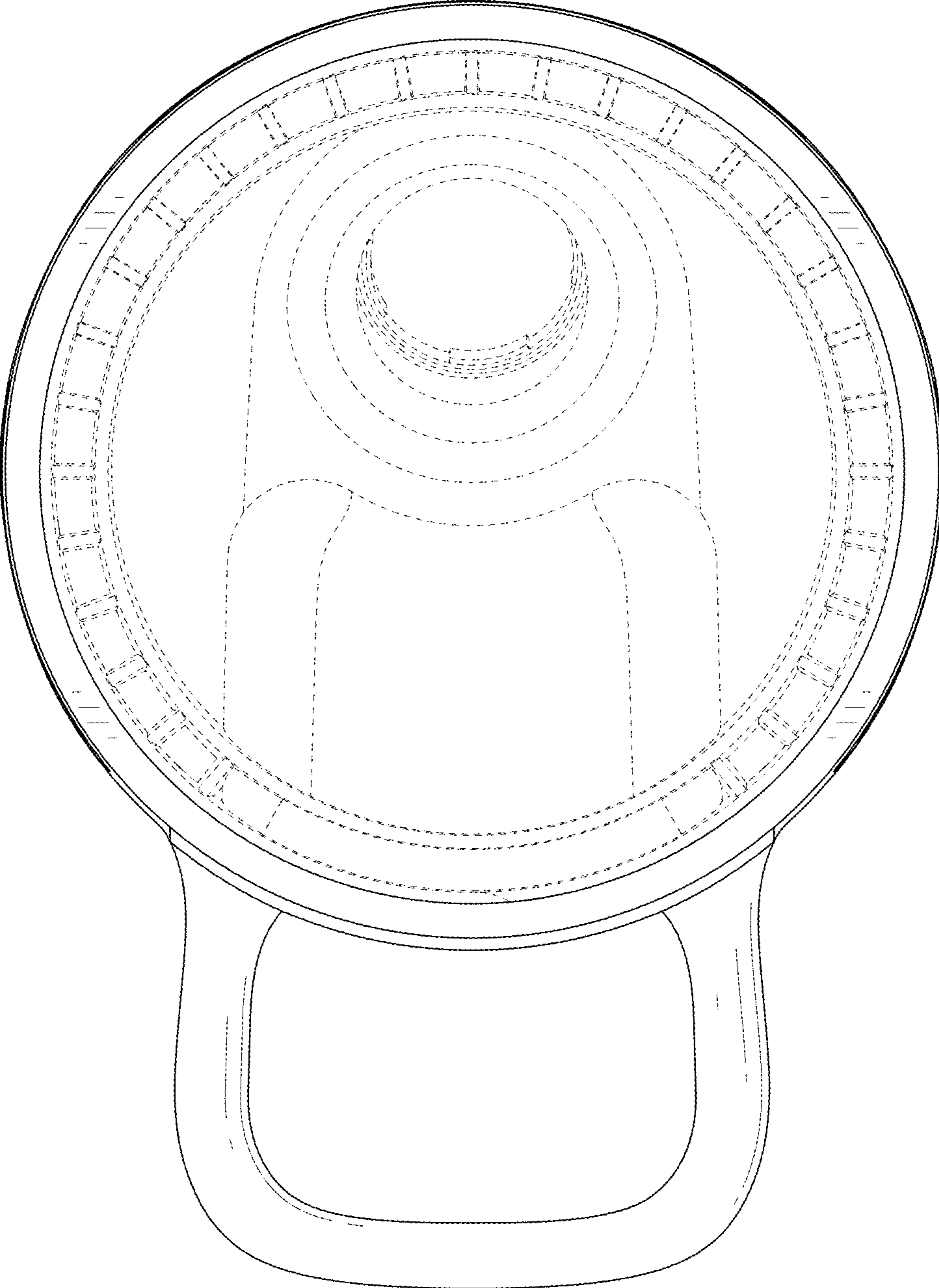


FIG. 8

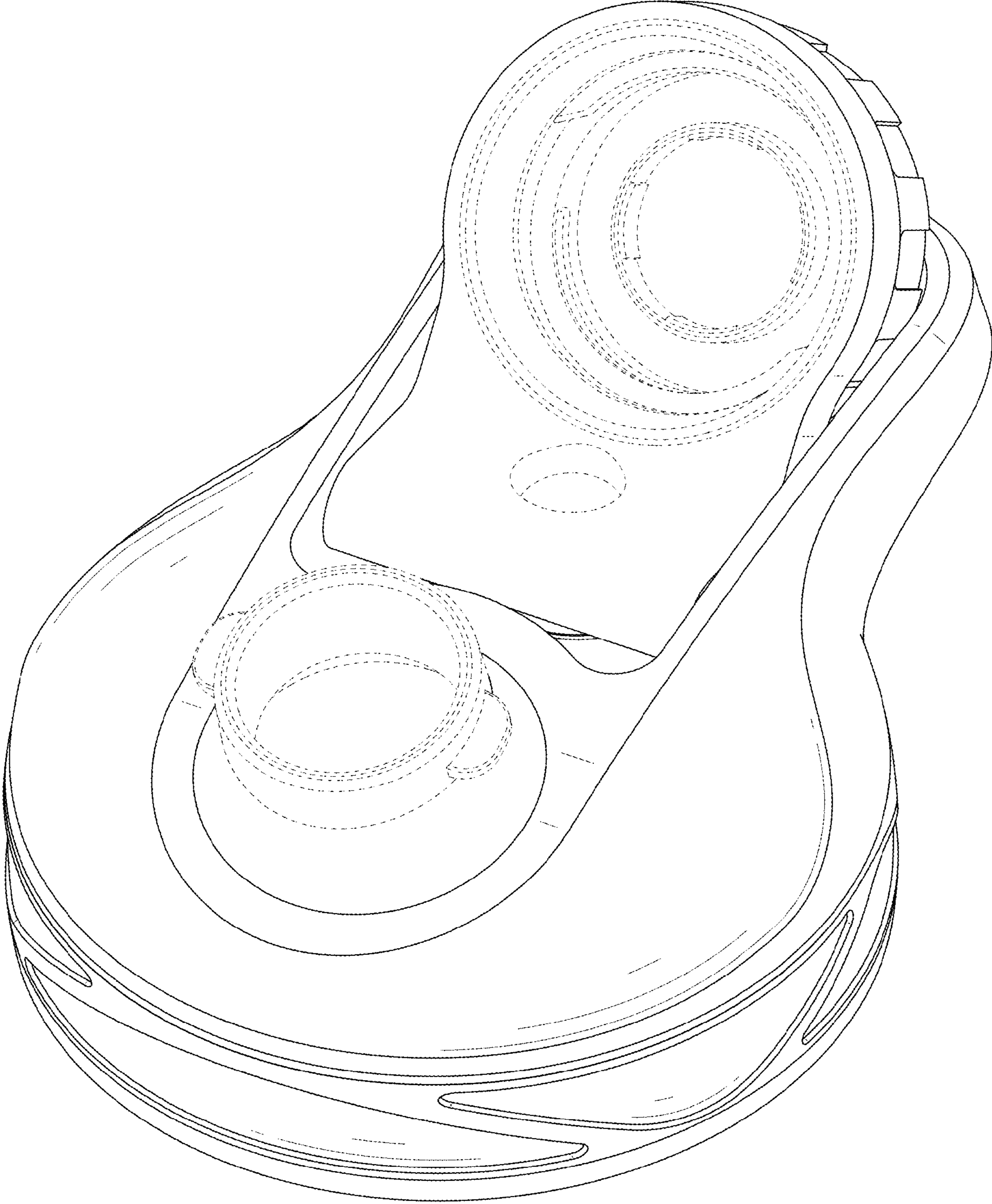


FIG. 9