



US00D963402S

(12) **United States Design Patent**
Zhou

(10) **Patent No.:** **US D963,402 S**

(45) **Date of Patent:** **** Sep. 13, 2022**

(54) **LID**

(71) Applicant: **UZ TECHNOLOGY (SHENZHEN) COMPANY LIMITED**, Shenzhen (CN)

(72) Inventor: **Han Zhou**, Shenzhen (CN)

(73) Assignee: **UZ TECHNOLOGY (SHENZHEN) COMPANY LIMITED**, Shenzhen (CN)

(**) Term: **15 Years**

(21) Appl. No.: **29/755,800**

(22) Filed: **Oct. 22, 2020**

(51) **LOC (13) Cl.** **07-01**

(52) **U.S. Cl.**
USPC **D7/392.1; D7/391**

(58) **Field of Classification Search**
USPC D7/310, 319, 323, 354–363, 391, 392, D7/392.1, 393–396, 396.2, 401.1, 510, D7/511; D9/435, 440, 447, 449–453, D9/454, 504, 523, 670
CPC .. A47G 19/027; A47G 19/12; A47G 19/2272; A47J 27/00; A47J 27/002; A47J 27/08; A47J 27/13; A47J 27/21; A47J 27/58; A47J 36/025; A47J 36/027; A47J 36/06; A47J 36/12; A47J 37/00; A47J 37/0704; A47J 37/10; A47J 37/101; A47J 37/103; A47J 37/12; A47J 37/1204; A47J 39/02; A47J 45/061; A47J 45/071; A47J 45/08; B65D 41/0407; B65D 17/401; B65D 47/066; B65D 47/08; H05B 6/12; H05B 6/804; H05B 6/6494; A61J 1/2093; A61J 11/00

See application file for complete search history.

(56) **References Cited**

U.S. PATENT DOCUMENTS

D547,607 S *	7/2007	Forsman	D9/449
D682,034 S *	5/2013	El-Saden	D7/510
D729,569 S *	5/2015	Herbst	D7/510
D870,508 S *	12/2019	Palkon	D7/392.1
D878,866 S *	3/2020	Cheng	D7/510
D923,394 S *	6/2021	Gu	D7/392.1
D923,396 S *	6/2021	Lin	D7/392.1
D936,413 S *	11/2021	Omdahl, II	D9/449
D948,280 S *	4/2022	Beckwith	D7/392.1
2006/0226110 A1 *	10/2006	Choi	B65D 47/066 220/203.04
2021/0086960 A1 *	3/2021	Wang	B65D 47/08

* cited by examiner

Primary Examiner — Ricky Pham

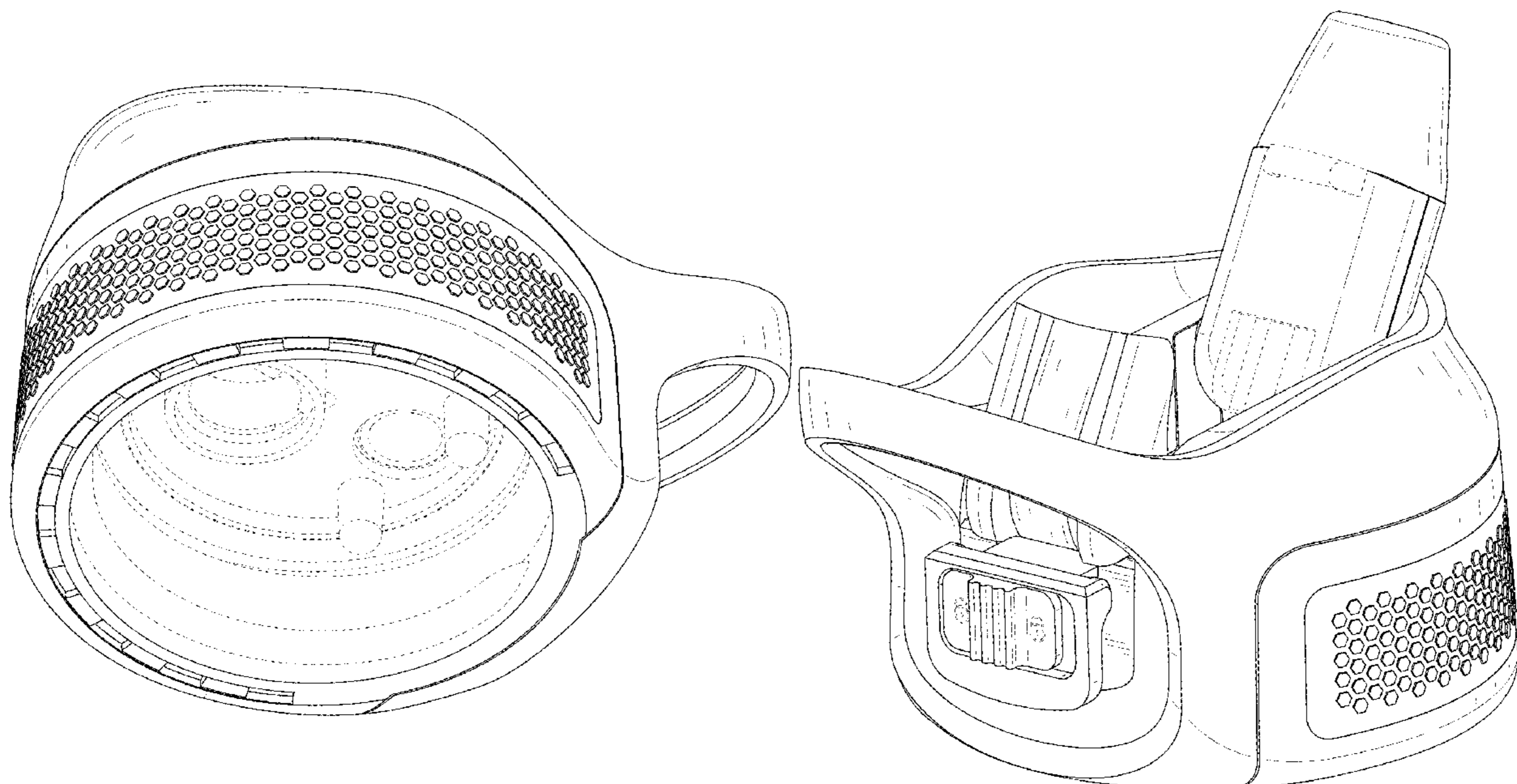
(57) **CLAIM**

The ornamental design for a lid, as shown and described.

DESCRIPTION

FIG. 1 is a perspective view of a lid showing my new design; FIG. 2 is another perspective view thereof; FIG. 3 is a front elevational view thereof; FIG. 4 is a rear elevational view thereof; FIG. 5 is a left side elevational view thereof; FIG. 6 is a right side elevational view thereof; FIG. 7 is a top plan view thereof; FIG. 8 is a bottom plan view thereof; and, FIG. 9 is a perspective view of the lid where the lid is in a configuration of use. The broken lines in the drawings depict portions of the lid that form no part of the claimed design.

1 Claim, 9 Drawing Sheets



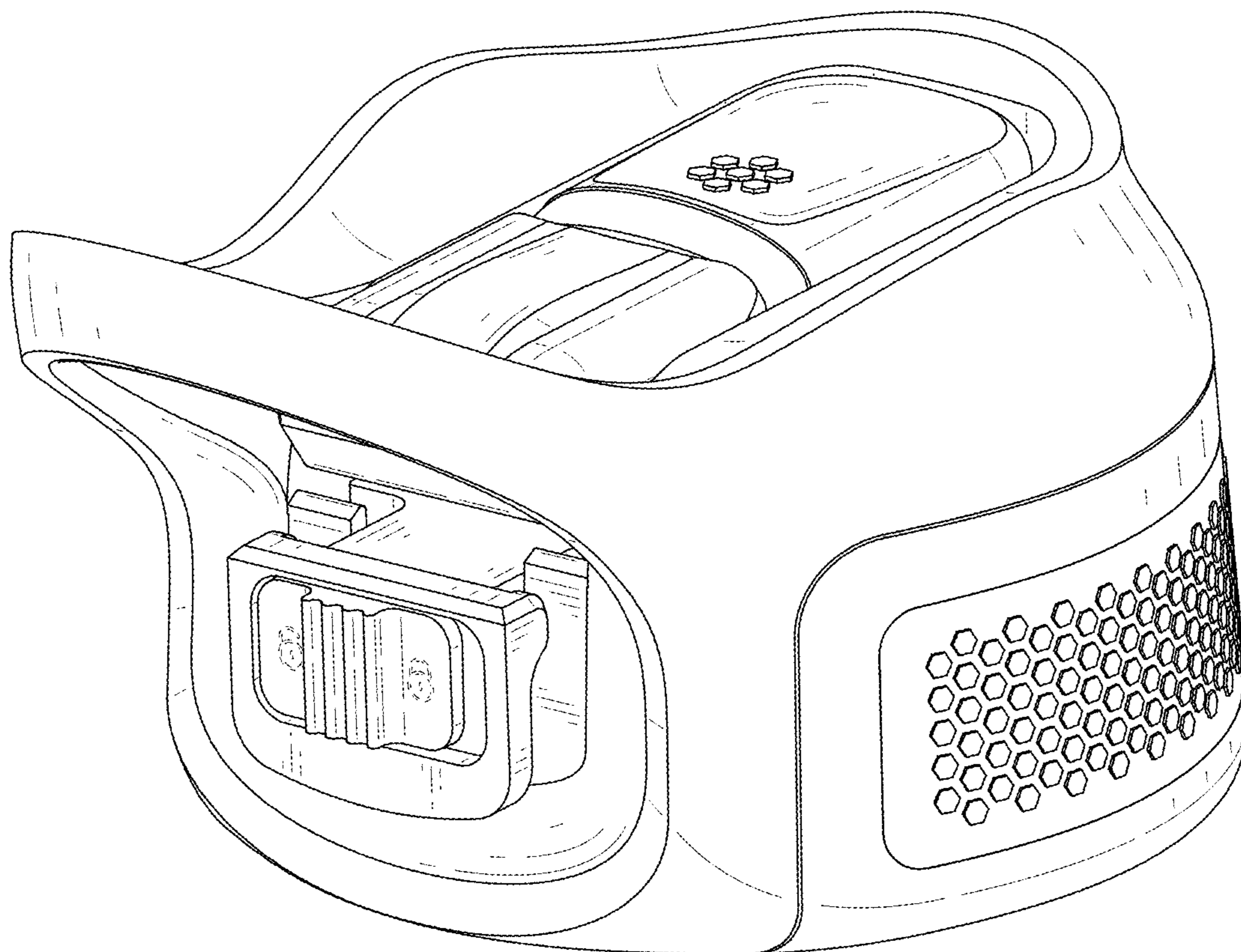


FIG. 1

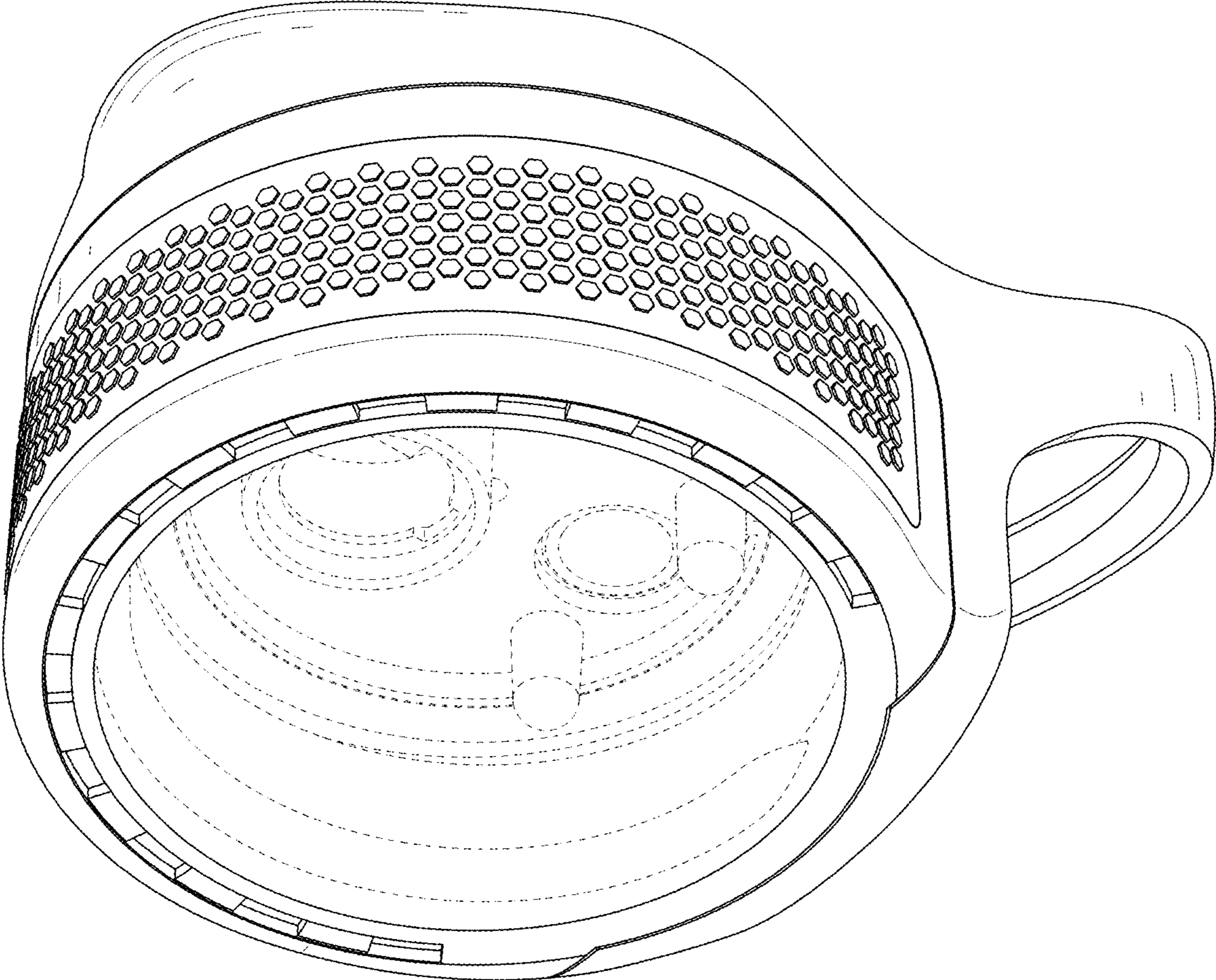


FIG. 2

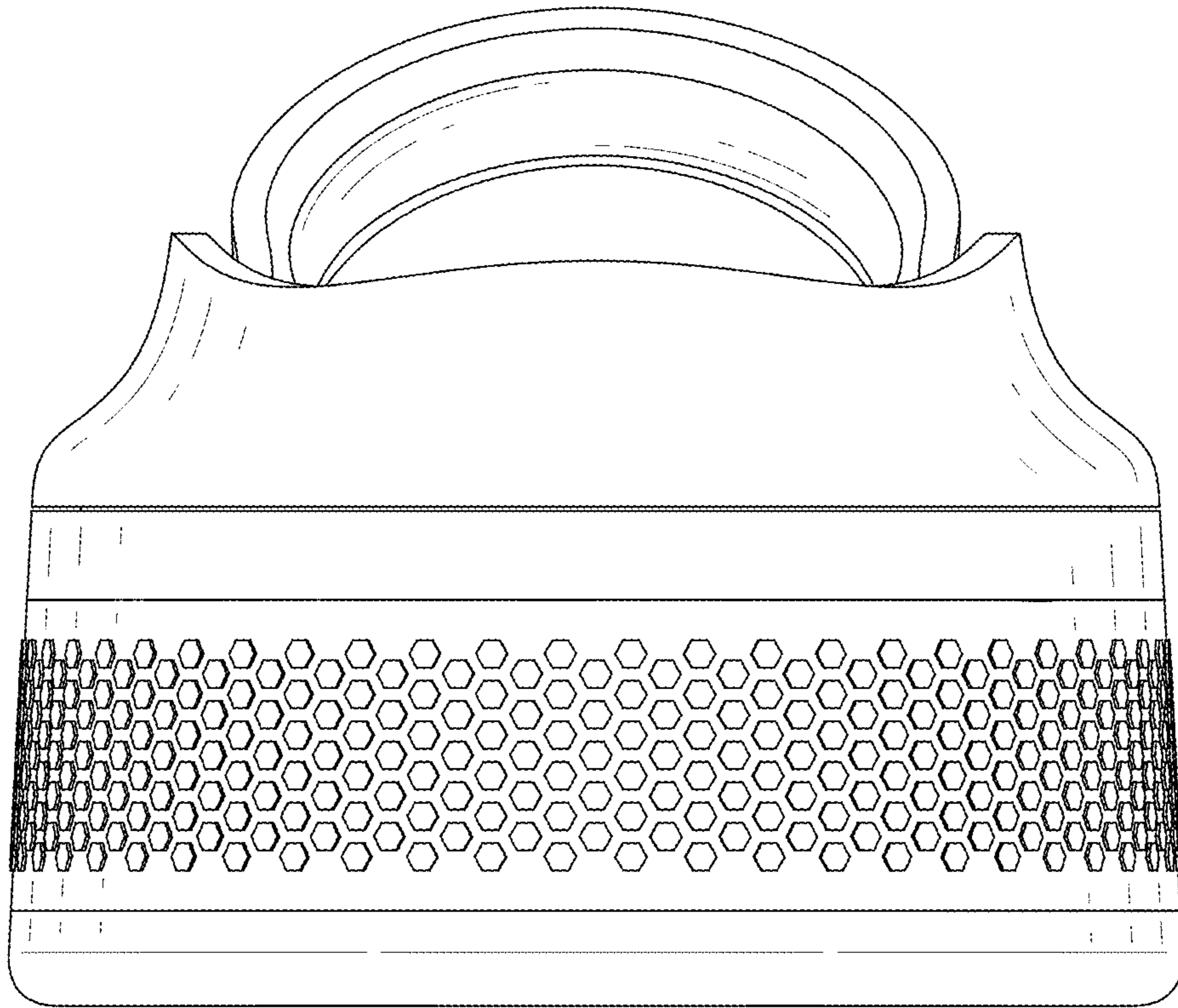


FIG. 3

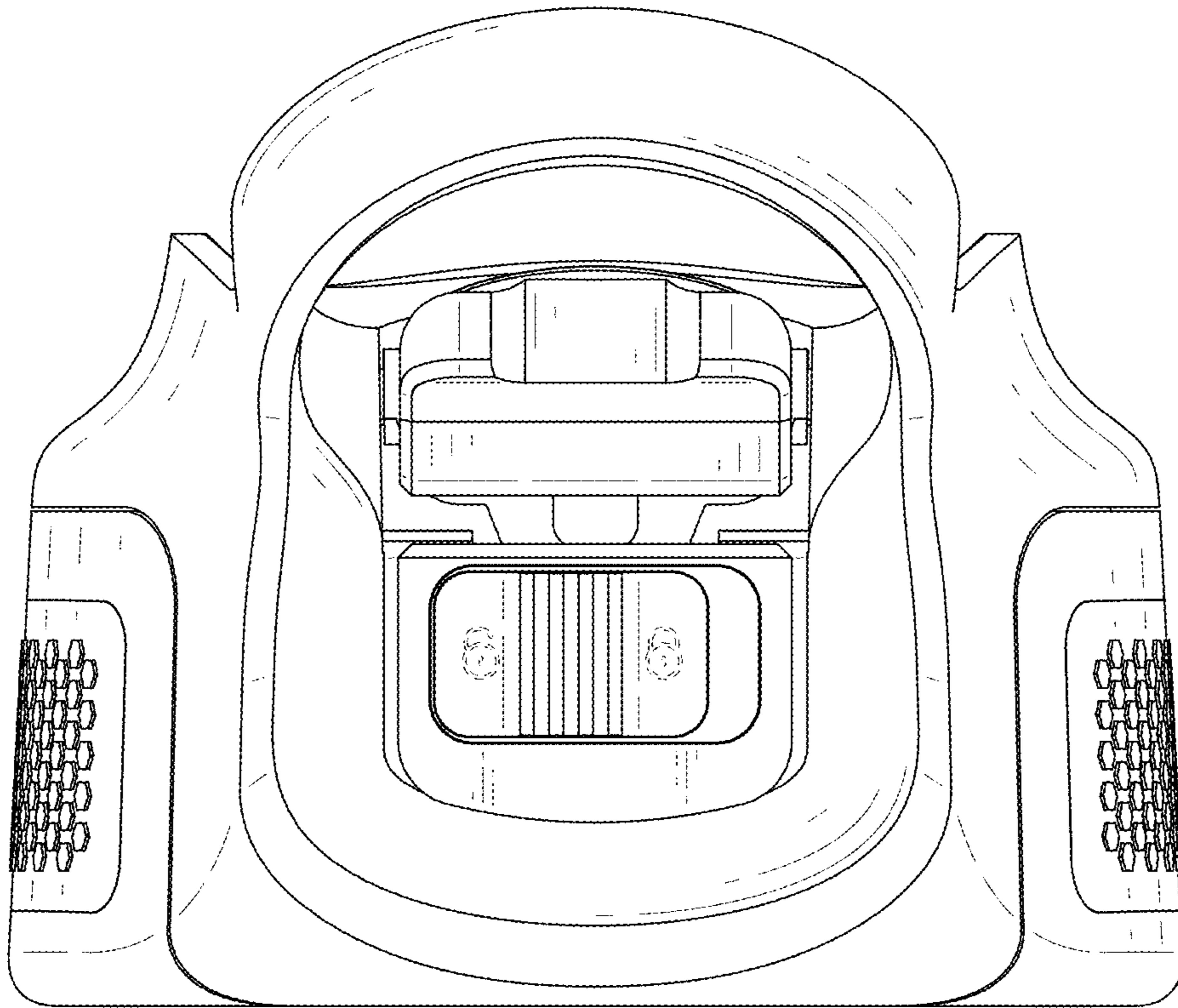


FIG. 4

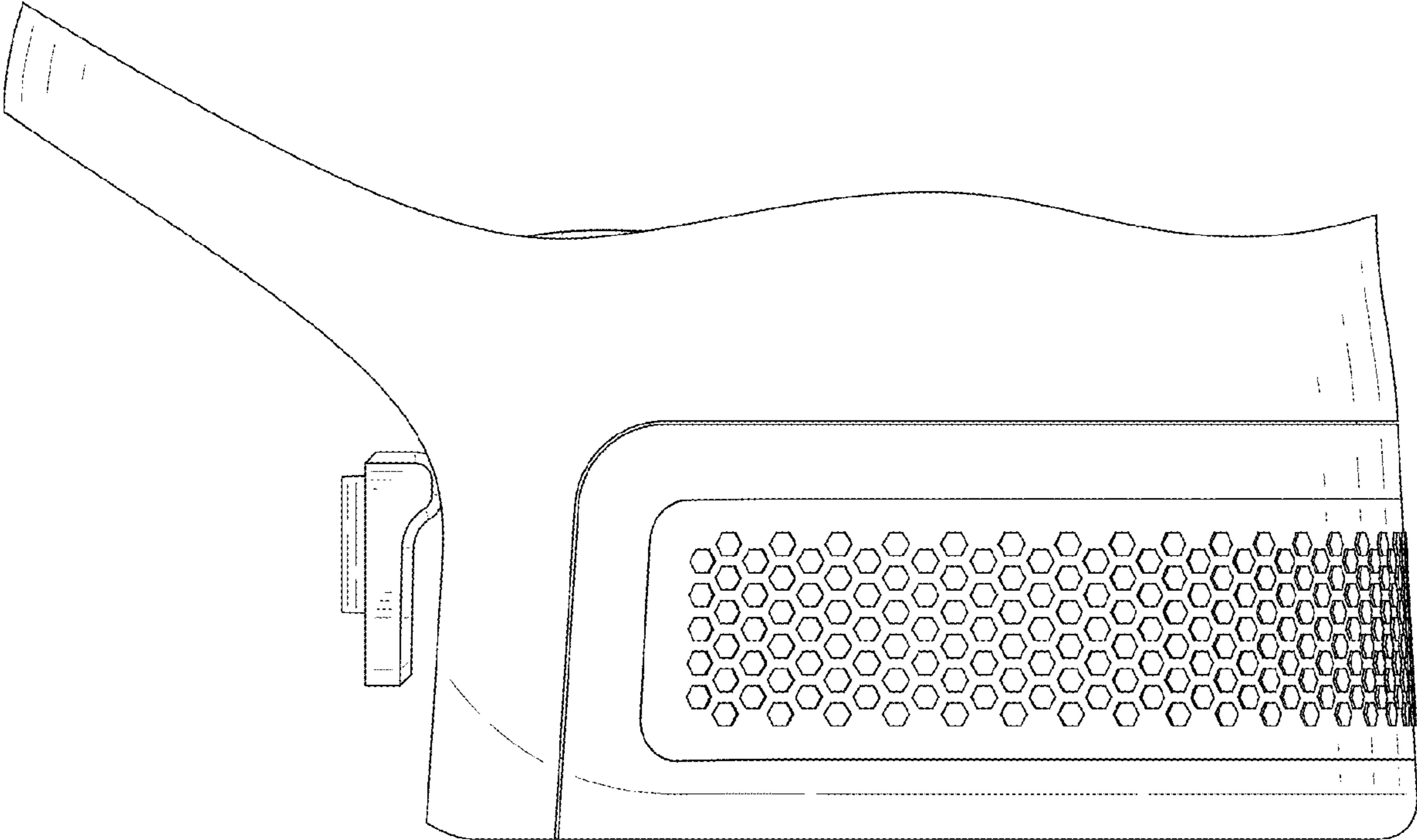


FIG. 5

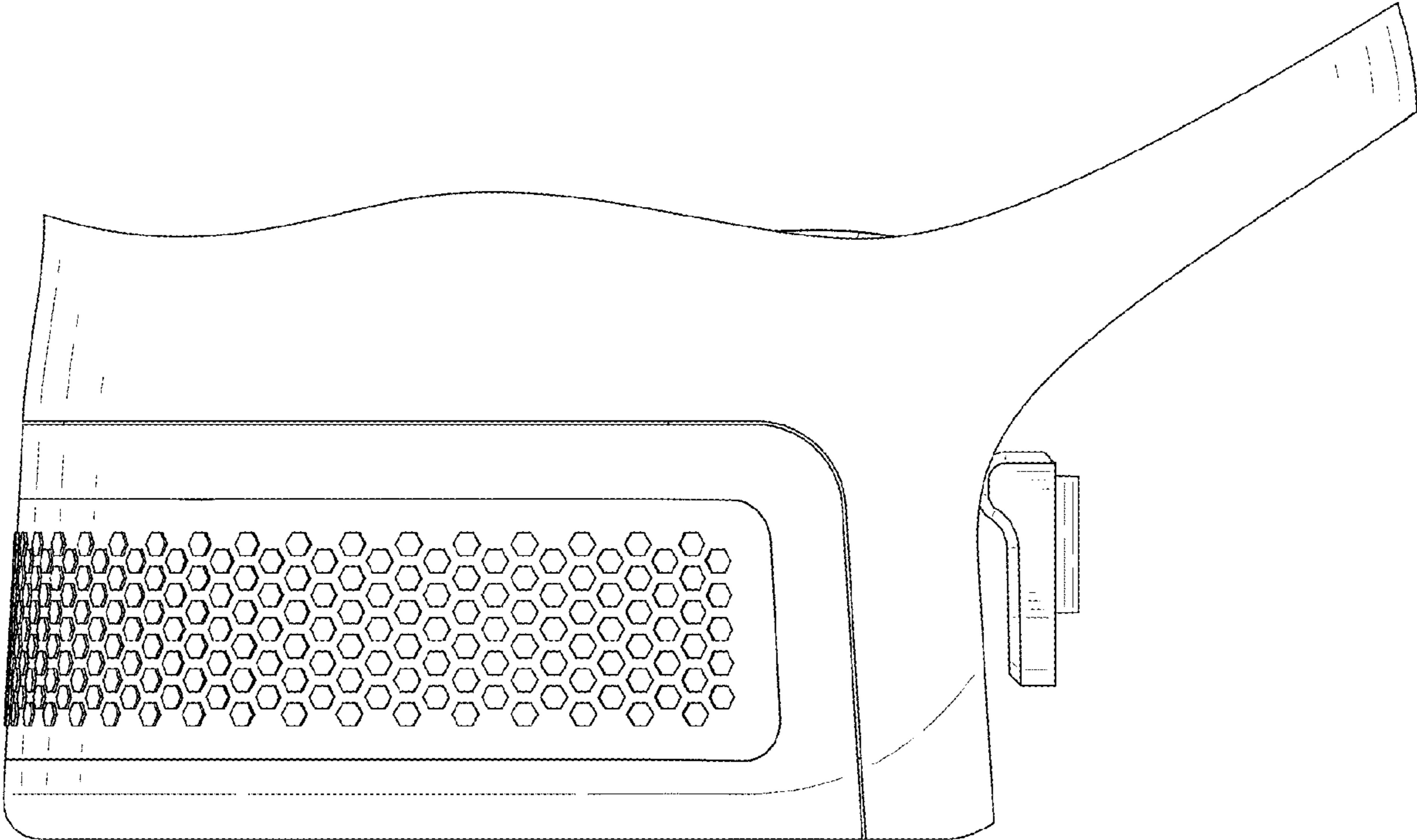


FIG. 6

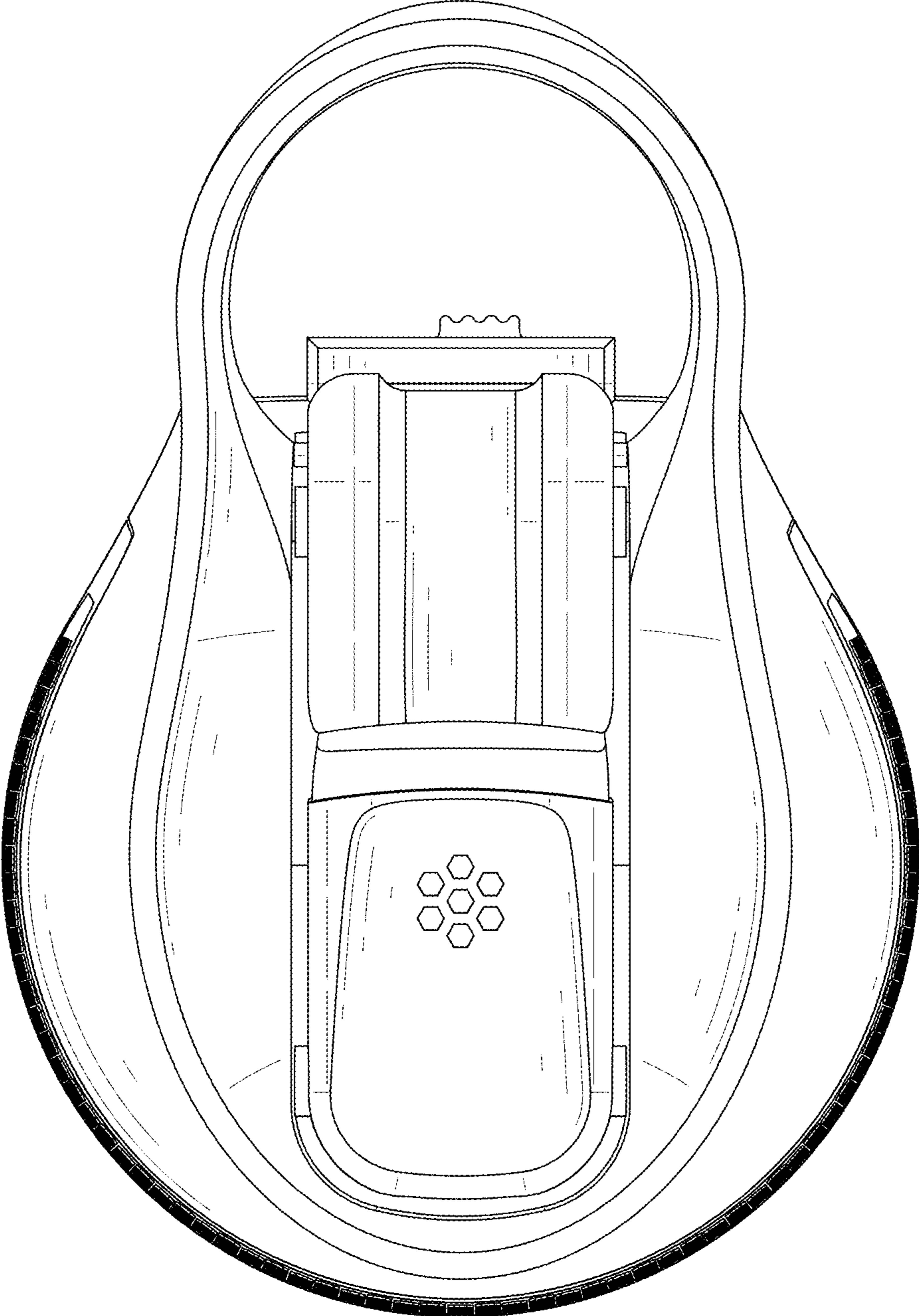


FIG. 7

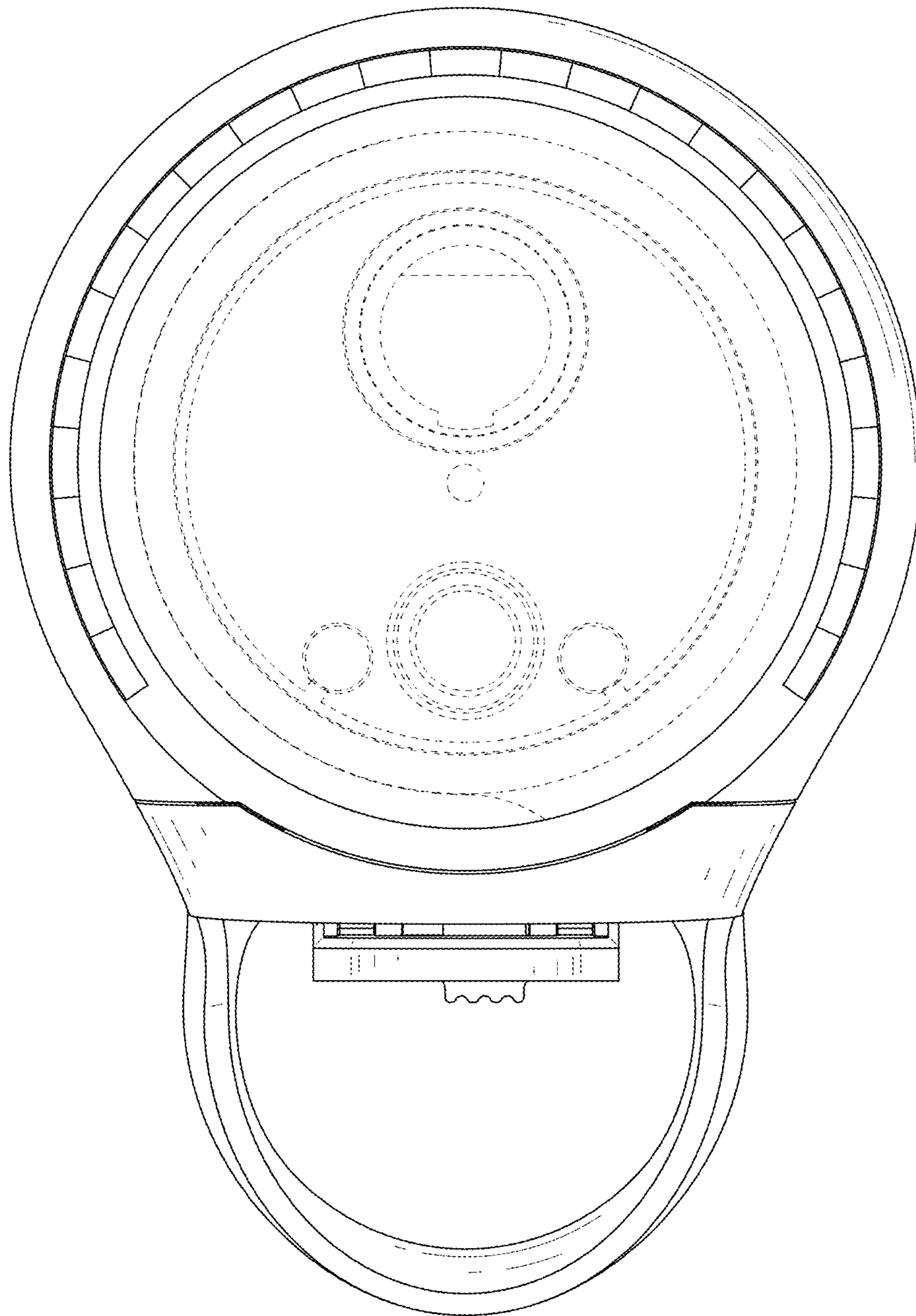


FIG. 8

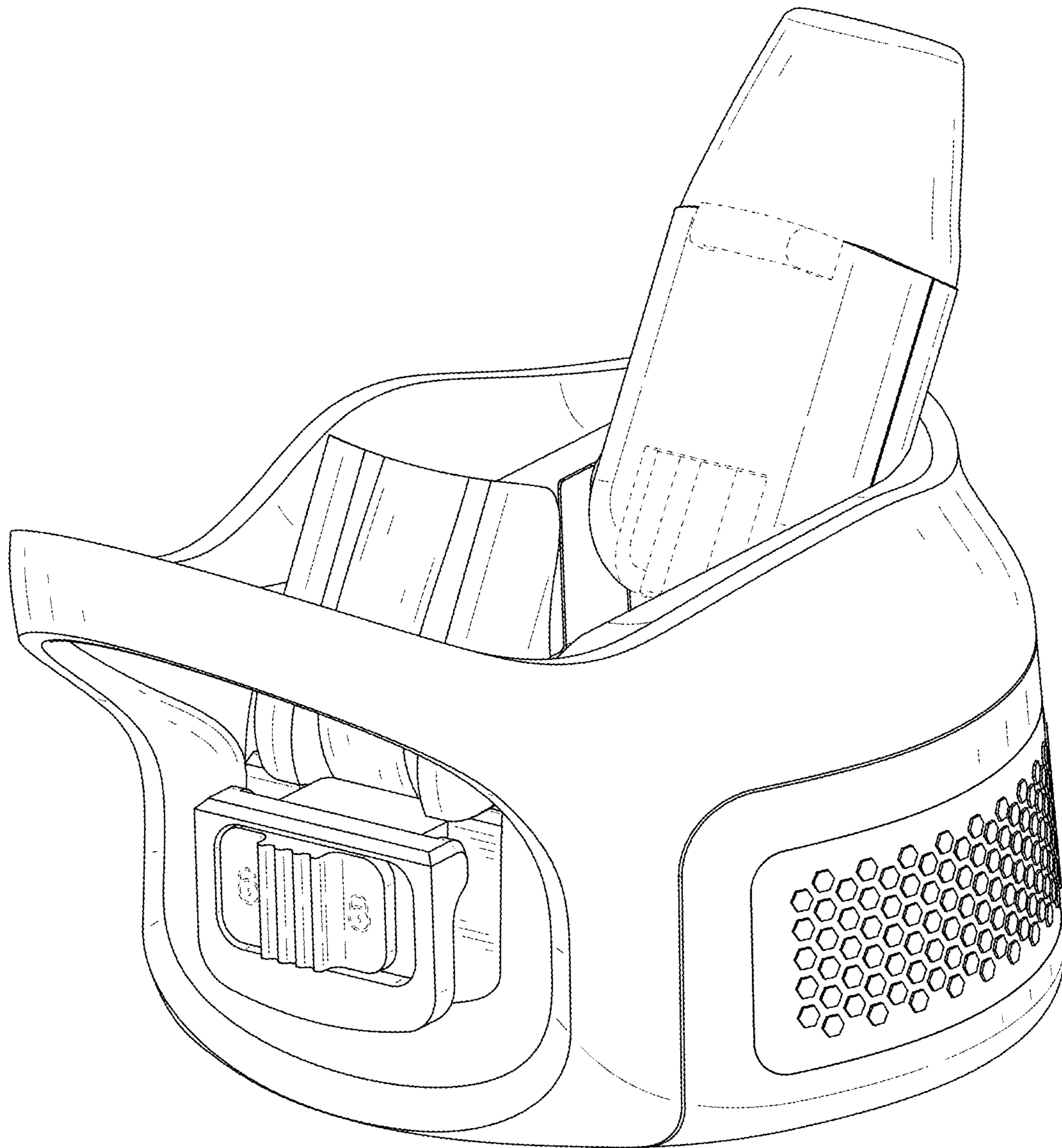


FIG. 9